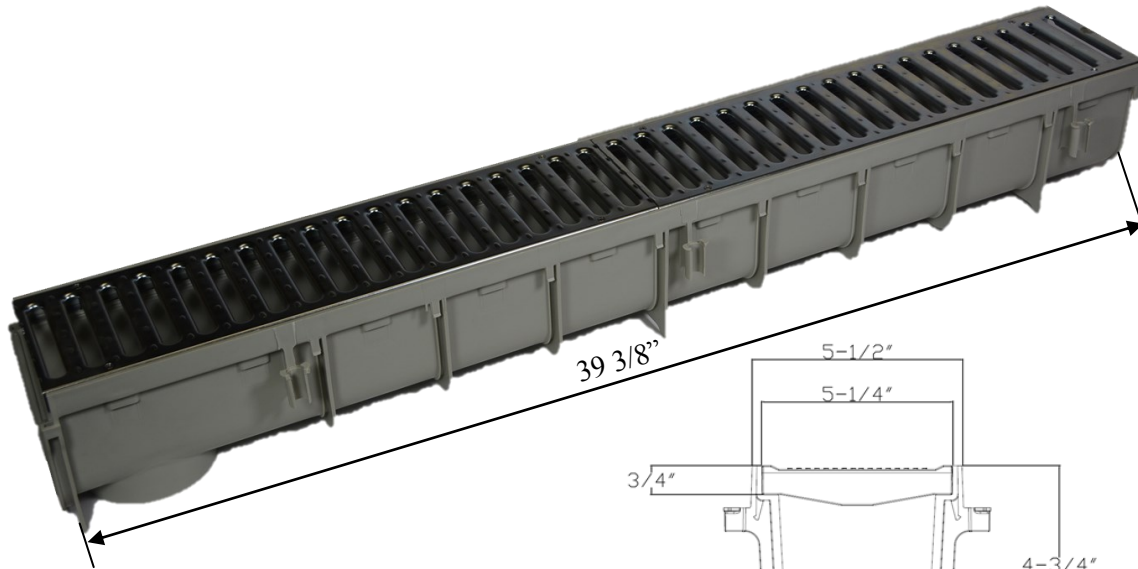
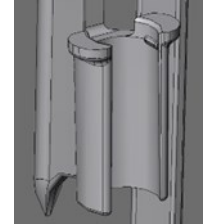


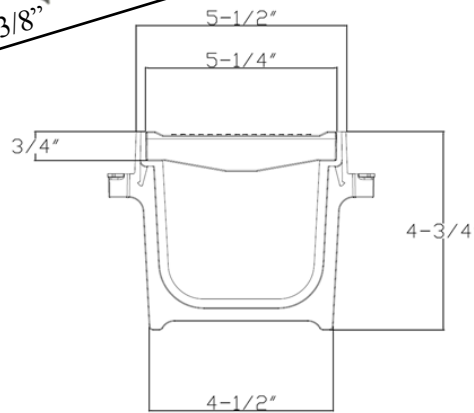
5 Inch Pro Series Drain Kit With Metal Grate



SIDE REBAR CLIP
DETAIL



GRATE SLOT
DETAIL



CROSS-SECTION
DETAIL

Part #: 864GRTL (Includes 2 Galvanized Steel Grates ,
#800-Channel (1qty.), #813-End Outlet (1qty.), and
#812-End Cap (1qty.)

Material: Channel (Polyolefin) Grates (Galvanized Steel)

Color: Light Gray / Galvanized Steel

Fits: 3" (Hub) and 4" (Spigot) Sewer/Drain Pipe

Rebar tie clips for easier installation: Fits #4 Rebar

Grate Opening: 0.45" x 4"

Open Surface Area: 19.32 sq. inch per linear ft.

Head Pressure / Flow Rate:

Head (inches) - Max Flow

1" = 83.58 GPM per foot

0.5" = 59.10 GPM per foot

Weight per unit: 7.70 lbs.

Screw: #829 Stainless Steel Screw, 4 per
grate.

UV Inhibitors



Class B

- Loads of 61-175 psi.
- Recommended for medium-duty pneumatic tire traffic, autos and light trucks at speeds less than 20 m.p.h.

Note: Some installations may require a concrete collar to meet load rating. Loads are based on encasing product in concrete. Product must be installed using NDS instructions.

ADA Compliance

NDS provides a wide selection of grates that are compliant with the Americans with Disabilities Act. The *ADA Accessibility Guidelines For Buildings and Facilities* Section 4.5.4 specifies that ground and floor grates "shall have spaces no greater than 1/2 in (13 mm) wide in one direction."

We are pleased to provide grates that comply with these requirements, so that no individual need be limited from accessing the area safely and confidently.

To see if a grate is ADA compliant, please check the description of the product in our *NDS Drainage Catalog*: products that meet these requirements are marked "ADA compliant."

Like to find out more about ADA compliance and NDS? Send us your question and we'd be happy to help.

ADA COMPLIANT

