

# 61" ARABELLA CAST IRON DOUBLE-SLIPPER TUB - LION PAW FEET - 7" RIM HOLES

SKU: 915546-61-RH

Code: SH476445, SH476446, SH476447, SH476448, SH476449, SH476450, SH445038, SH307118, SH307116, SH307119, SH307117, SH307120



## FEATURES

Design: Traditional  
Product Finish: White  
Length: 61"  
Width: 30"  
Height: 29"  
Water Depth To Overflow: 12-3/4"  
Exterior Treatment: Hand-Smoothed Painted  
Interior Treatment: White Porcelain Enamel  
Faucet Included: No  
Shape: Oval  
Feet Material: Cast Iron  
Tub Overflow: Yes  
Tub Material: Cast Iron  
Tub Interior Length: 35"  
Tub Interior Width: 15"  
Feet Type: Lion Paw  
Tap Deck: Yes  
Faucet Drillings: Tap Deck - 7" Rim Holes  
Water Capacity (Gallons): 30  
Built-In Adjusters: Yes  
Tub Weight Uncrated (lbs): 300  
Tub Weight Crated (lbs): 410

REVISED 5/8/2023

# 61" ARABELLA CAST IRON DOUBLE-SLIPPER TUB - LION PAW FEET - 7" RIM HOLES

SKU: 915546-61-RH

Code: SH476445, SH476446, SH476447, SH476448, SH476449, SH476450, SH445038, SH307118, SH307116, SH307119, SH307117, SH307120

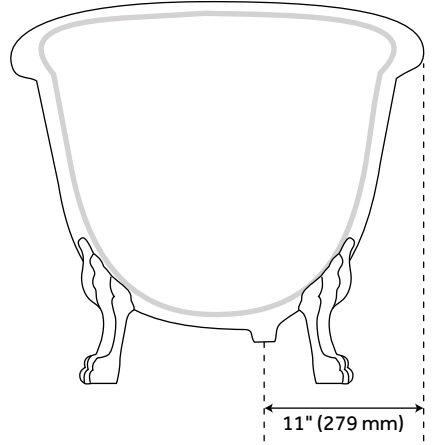
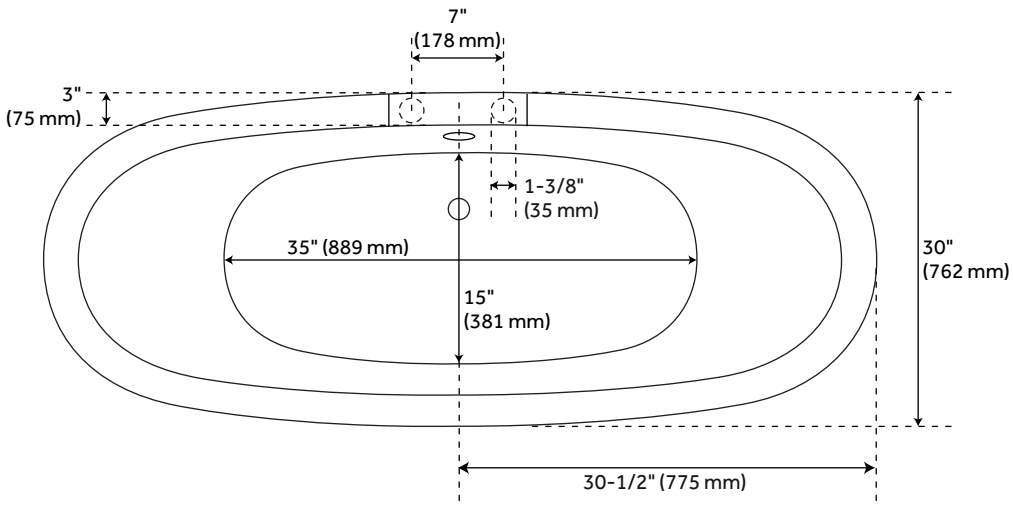
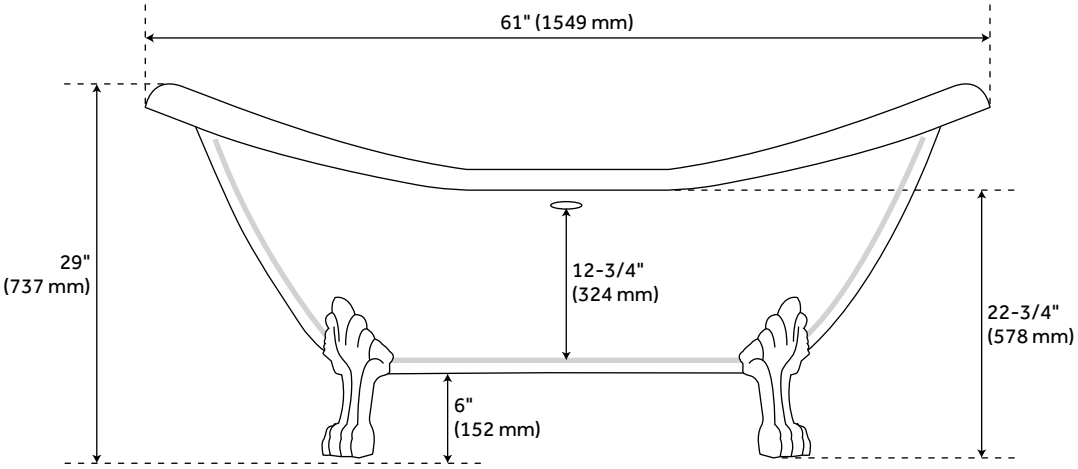


## ADDITIONAL FEATURES

- Drain option: includes Extended Pop-Up Drain with Daisy Wheel overflow.
- If drain is selected, the drain finish will match the tub feet.

REVISED 5/8/2023

# 61" ARABELLA CAST IRON DOUBLE-SLIPPER TUB - 7" RIM HOLES - LION PAW FEET



All dimensions and specifications are nominal and may vary. Use actual products for accuracy in critical situations.