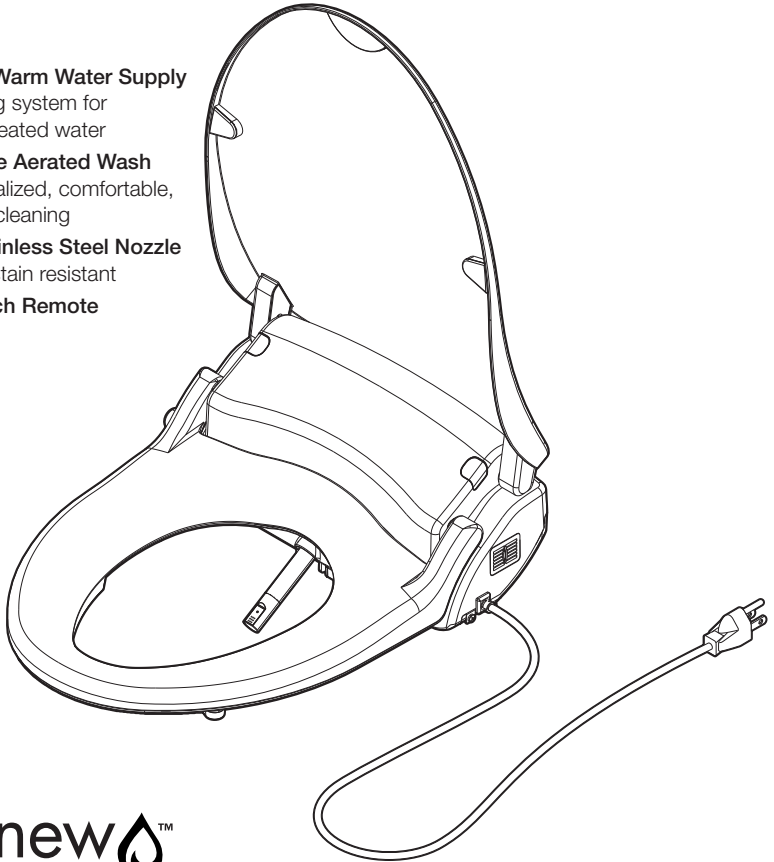

Bidet Owner's Manual & Installation Instructions

Español p. 23

Français p. 45

- **Continuous Warm Water Supply**
Hybrid heating system for on-demand heated water
- **Customizable Aerated Wash**
More individualized, comfortable, and effective cleaning
- **Hygienic Stainless Steel Nozzle**
Durable and stain resistant
- **Intuitive Touch Remote**



Renew[™]
PLUS

BEMIS®
7BB1980NL (Elongated)
7BB980NL (Round)

CHURCH®
7FB1780NL (Elongated)
7FB780NL (Round)

Renew[™]

BEMIS®
7BB1940 (Elongated)
7BB940 (Round)

CHURCH®
7FB1740 (Elongated)
7FB740 (Round)

SAVE THESE INSTRUCTIONS

TABLE OF CONTENTS

Important Safeguards	2 - 3
Parts & Hardware	4
Before Installation	5
Installation	5 - 9
Remote Control	10 - 11
Operation	12 - 15
Care & Maintenance	16 - 17
Troubleshooting	18 - 19
Specifications	20
Warranty	21
Registration	22

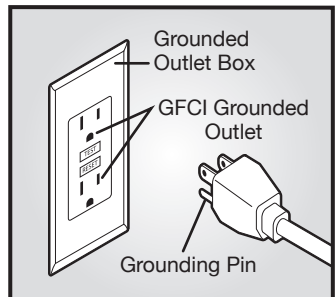
⚠ IMPORTANT SAFEGUARDS ⚠

GROUNDING INSTRUCTIONS

This product should be grounded. In the event of an electrical short circuit, grounding reduces the risk of electric shock by providing an escape wire for the electric current. This product is equipped with a cord having a grounding wire with a grounding plug. The plug must be plugged into a 120V GFCI outlet that is properly installed and grounded.

⚠ DANGER – Improper use of the grounding plug can result in the risk of electric shock. If repair or replacement of the cord or plug is necessary, do not connect the grounding wire to either flat blade terminal. The wire with insulation having an outer surface that is green with or without yellow stripes is the grounding wire.

- Check with a qualified electrician or serviceman if the grounding instructions are not completely understood, or if in doubt as to whether the product is properly grounded.
- If it is necessary to use an extension cord, use only a 3-wire extension cord that has a 3-blade grounding plug, and a 3-slot receptacle that will accept the plug on the product. Replace or repair a damaged cord.



⚠ IMPORTANT SAFEGUARDS ⚠

⚠ WARNING – If warning instructions are not followed, physical injury or property damage may occur.

⚠ CAUTION – If cautions are not followed, physical injury or property damage may occur.

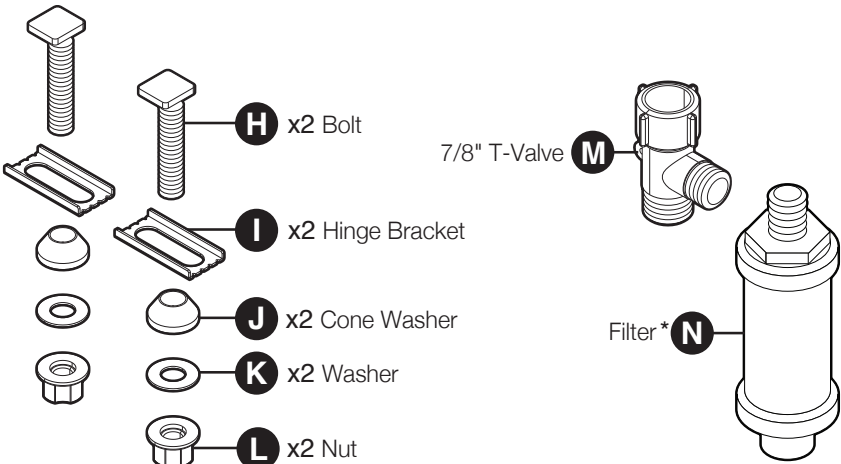
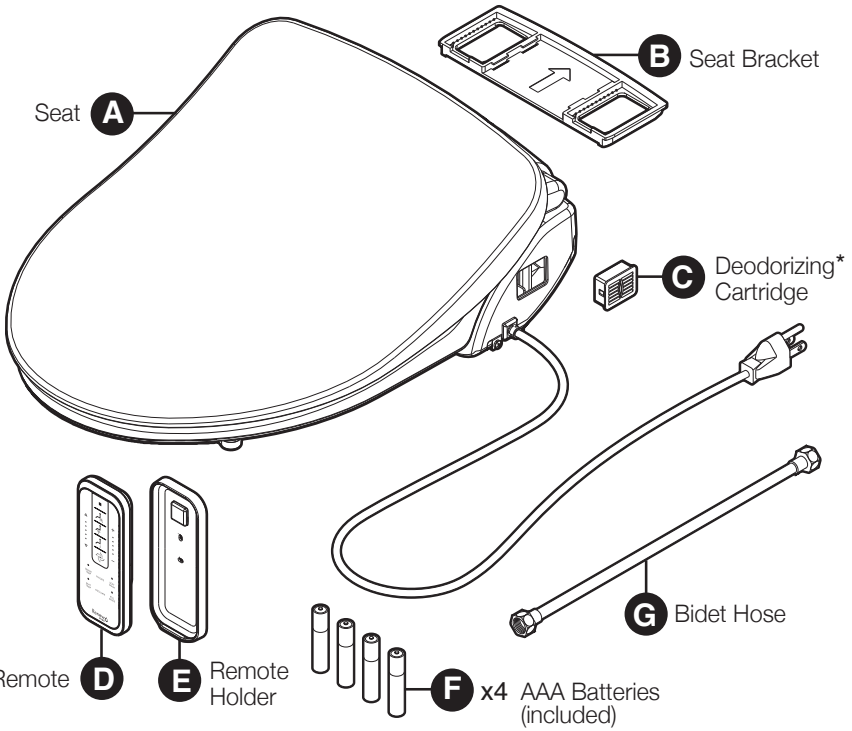
⚠ WARNING – To reduce the risk of electric shock or fire:

- Do not disassemble, modify, or repair this unit.
- Do not plug or touch the power cord with wet hands.
- Do not spray water on the main body of product or power cord.
- Do not use a damaged power cord or outlet.
Call customer service if replacement cord is required.
- Make sure power cord is correctly inserted in power outlet.
- Do not have cigarettes or flammable materials near the product.
- Do not throw cigarettes into the product.
- Do not connect product to an industrial water pipe.
- Do not connect power to product until it is completely installed.
- Do not block the hot air holes by fan with hands or any objects. (Renew Plus™ only.)
- When removing product from toilet, always unplug the power cord first.

⚠ CAUTION

- Do not stand or put heavy objects on the product.
- Do not force the toilet cover closed.
- Do not lean against the toilet.
- Do not use harsh cleaners, detergents, benzene, or thinner to clean product.
- Do not bend or force the connect hose out.
- Prolonged skin contact with seat can cause a low temperature burn.
Temperature should be set to LOW or OFF when used by children elderly persons, or individuals who cannot control temperature.
- Do not use if product is not working properly.
- Remove power plug and drain tank if unit is not to be used for an extended period of time. (See page 16 for draining tank.)
- Do not place the removed product upside down.
- Do not use hairspray or air freshener near the product.
- During installation, slide bidet seat back until it “clicks” into seat bracket.
- Exceeding the recommended weight limits (seat: 352 lbs. / lid: 220 lbs.) may break or reduce the life expectancy of your bidet seat.

PARTS & HARDWARE



* Renew Plus™ feature only.

BEFORE INSTALLATION

Be sure that all parts are on hand before proceeding with the installation.

Residual moisture in the bidet at purchase ensures that your product was tested at the factory with pure water to meet the highest quality standards and performance.

Items required, but not included: GFCI wall outlet and flexible water supply hose.

Check the line that connects the toilet tank to the water shut off valve. If it's a rigid pipe, you may need to purchase a flexible hose to replace it before installation. The length of the hose and the size of the connections will vary.

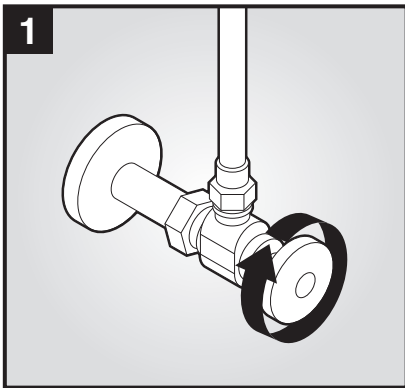
Hand tightening is usually sufficient for the typical installation process. However, in some situations, a screwdriver or adjustable wrench may be required.

TOP-MOUNT SEAT INSTALLATION

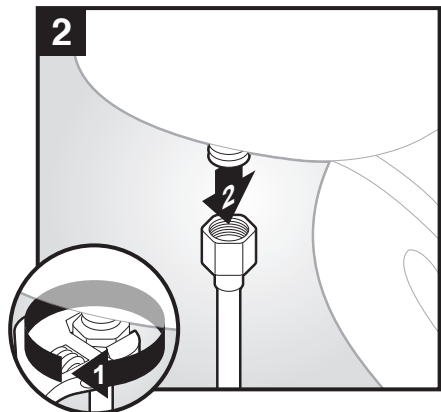
To install on toilets without access to bolts underneath, please call Bemis Manufacturing Company Customer Service at 1-888-722-6488 to obtain a top-mount hardware kit.

INSTALLATION

**Please read these instructions carefully before installation.
Failure to do so could result in damage to the product or property.**

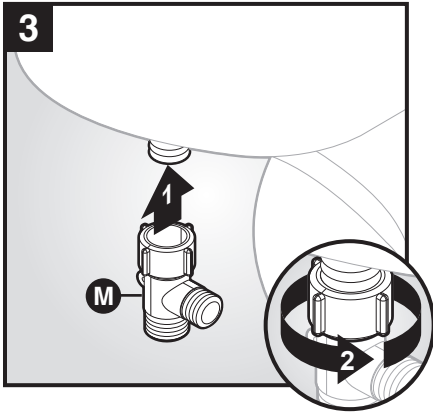


Turn off water supply and drain all water out of toilet tank by holding flushing handle down for 10 seconds or until tank is emptied.



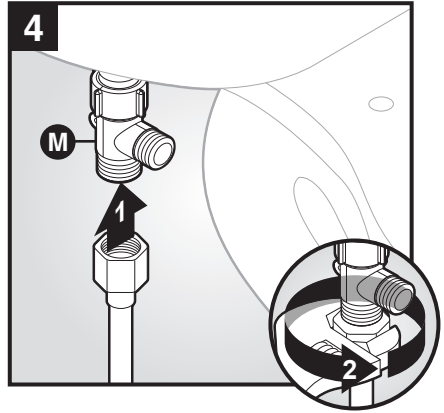
Place a container underneath to catch excess water. Remove the existing water supply line from toilet tank water supply fitting.

INSTALLATION (continued)



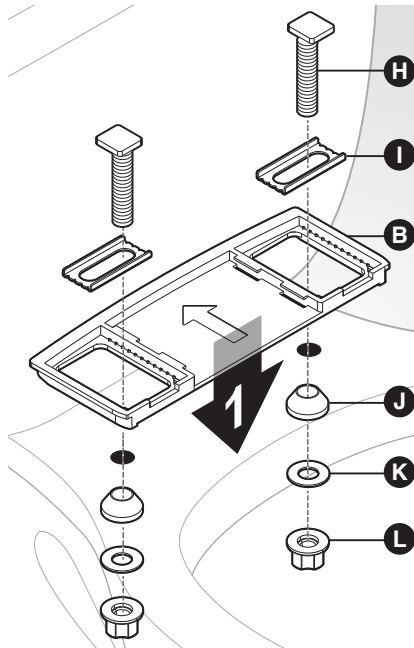
Tighten 7/8" T-valve (M) to toilet TANK water supply fitting. Do not hold fill valve inside tank.

IMPORTANT: T-VALVE INSTALLS AT THE BOTTOM OF TOILET TANK, NOT AT THE WALL.



Connect water supply line coming from the wall to bottom of T-valve (M).

Connect cold water supply only. If your supply line is rigid, you may need to replace with a flexible hose line.



SEAT BRACKET & HARDWARE

Place adjustable seat bracket (B) over toilet mounting holes.

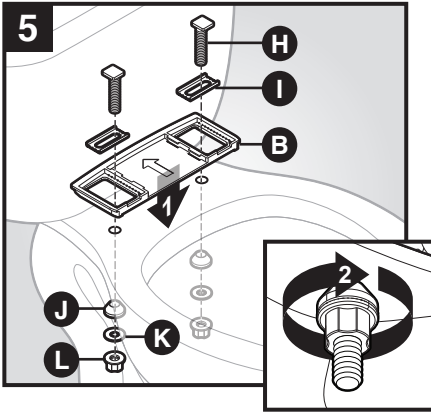
Place hinge brackets (I) flat side down in center of the square openings in the seat bracket (B).

Insert bolts (H) through hinge brackets (I) and mounting holes. Square bolt head should be even with sides of hinge brackets.

Slide rubber cone washer (J), washer (K), and then nut (L) onto bolts under the toilet bowl and lightly hand tighten to keep seat bracket in place.

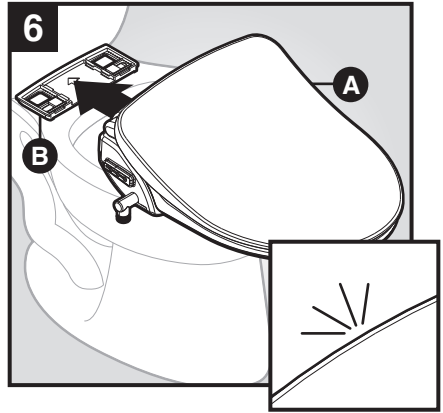
Continue with step 6 to mount seat.

INSTALLATION (continued)

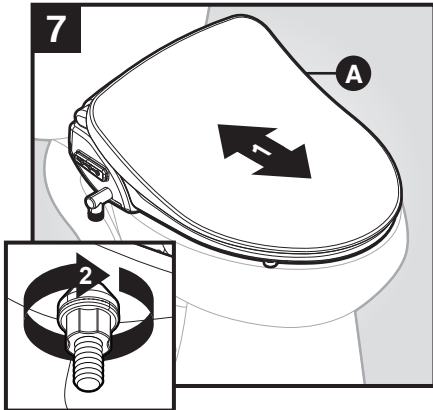


Place adjustable seat bracket (B) over toilet mounting holes and install hardware. See page 6 for details.

NOTE: LIGHTLY HAND TIGHTEN, BUT DO NOT FULLY TIGHTEN.

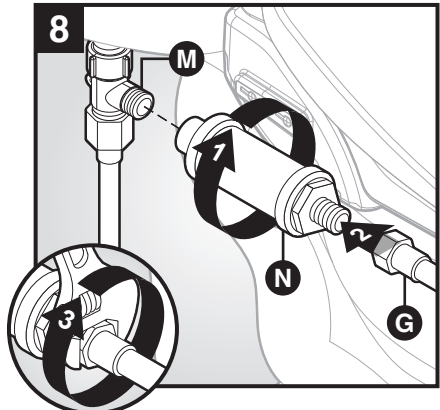


Set the bidet seat on the bowl in front of the seat bracket and push seat (A) back into place on hinge bracket (B) until it “clicks” into place.



Adjust seat (A) forward or backward for proper alignment.

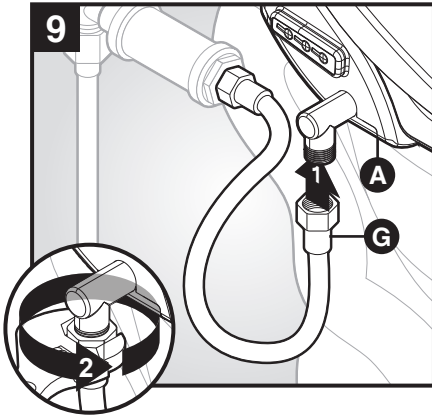
Fully finger tighten nuts from below.



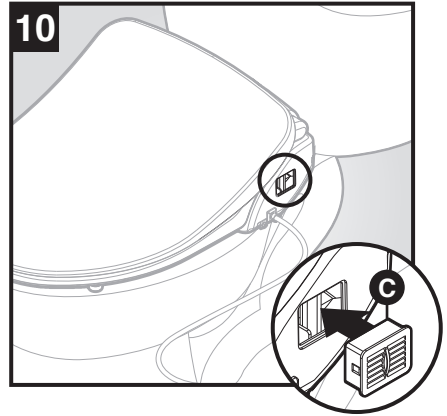
Install optional filter (N) onto T-valve (M) and bidet hose (G) onto other end of filter.

NOTE: Connect bidet hose (G) directly to T-valve (M) if not installing filter.

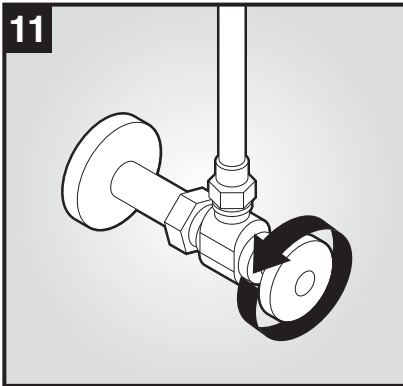
INSTALLATION (continued)



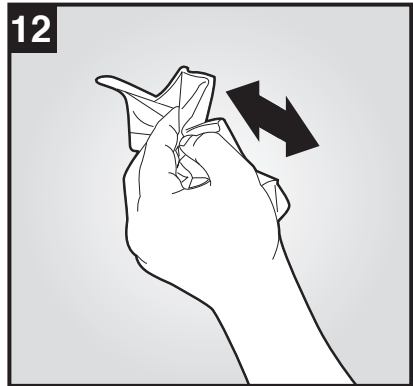
Connect other end of bidet hose (G) to seat connection (A), making sure it's firmly connected. Do not sharply bend or twist hose, or strip the plastic screw threads.



Install deodorizing cartridge (C) into seat. (*Renew Plus™* feature only; *Renew™* model will have nonfunctional cartridge inserted.)

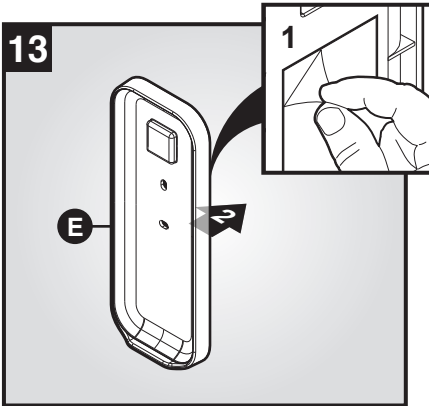


Slowly turn on water supply and check for leaks. Wait 5 minutes and check for leaks again on all connections.

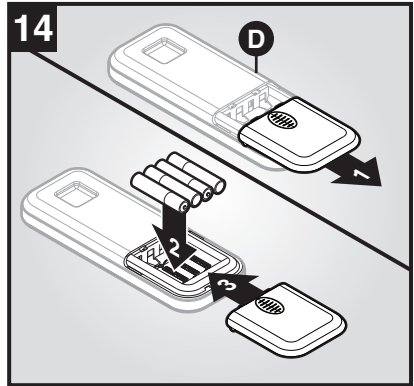


To install remote control, first clean and dry installation area thoroughly.

INSTALLATION (continued)

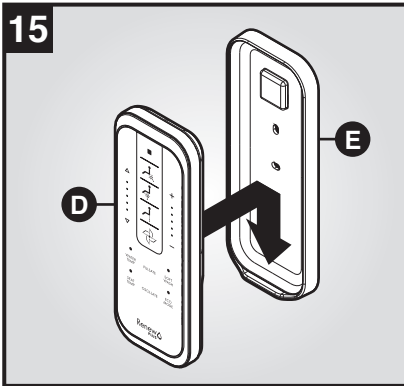


Remove adhesive back from rear of remote holder (E) and attach remote holder to a clean, dry surface.

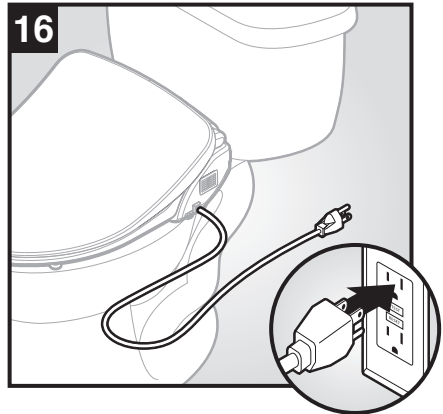


Remove remote (D) back panel cover and properly install 4 AAA batteries. Replace back panel cover.

NOTE: If all 5 lights blink, then batteries have reached end of service life and should be replaced.



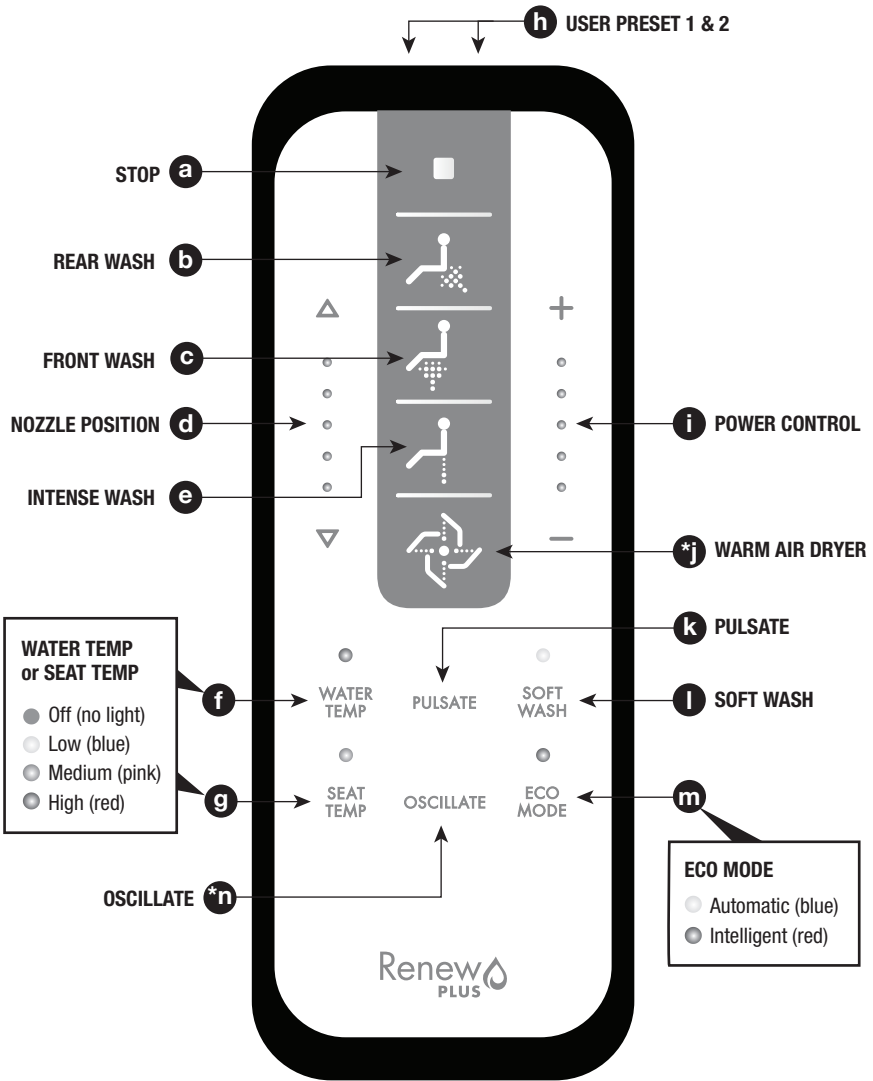
Place remote (D) into magnetic remote control holder (E).



Plug power cord into GFCI outlet.

NOTE: Heavy duty 15A extension cord may be used temporarily.

REMOTE CONTROL



*Renew Plus™ feature only

NOTE: Remote control will not operate if batteries are weak, dead or not installed properly. Requires 4 x AAA batteries.

- a STOP** ends any operating function
- b REAR WASH** turns on rear cleansing cycle for 2 minutes, followed by automatic dryer cycle* (unless STOP is pushed)
- c FRONT WASH** turns on front cleansing cycle for 2 minutes, followed by automatic dryer cycle* (unless STOP is pushed)
- d NOZZLE POSITION** moves nozzle forward and backward in 5 positions with arrow buttons
- e INTENSE WASH** turns on rear high pressure cleansing cycle for 2 minutes (unless STOP is pushed)
- f WATER TEMP** controls 4 water temperature levels (Off / Low / Med / High)
- g SEAT TEMP** controls 4 seat temperature levels (Off / Low / Med / High)
- h USER PRESET** stores 2 user preset settings in memory
- i POWER CONTROL** controls warm air dryer temperature and water pressure with + / -
- *j WARM AIR DRYER** blows warm air to help dry for 3 minutes with 5 temperature settings (*Renew Plus™ feature only*)
- k PULSATE** automatically raises and lowers water pressure for a pulsating wash
- l SOFT WASH** lowers seat temperature and water pressure in a forward nozzle position (INTENSE WASH disabled)
- m ECO MODE** controls Automatic and Intelligent Eco Modes
- *n OSCILLATE** automatically moves nozzle forward and backward (*Renew Plus™ feature only*)

* *Renew Plus™ feature only.*

OPERATION

BODY SENSE TECHNOLOGY

- User sensor detects occupant's skin sitting on seat for full product functionality. (Deodorization function then starts automatically on Renew Plus™ model.)

FRONT, REAR, & INTENSE WASH

- Single nozzle system for aerated wash functions provides a more comfortable and effective cleaning. (During SOFT WASH, INTENSE WASH will not operate.)



WARM AIR DRYER*

- 3-minute dryer cycle with 5 temperature levels.



NOTE: Drying time will be reduced if moisture is slightly wiped before operating the drying function.

STOP

- Selected functions stop when STOP is pressed on remote or side panel. Press STOP on the side control panel for 3 seconds to power off unit.



OSCILLATE*

- Press OSCILLATE to move nozzle forward and backward during FRONT, REAR, and INTENSE WASH.
- Press forward or backward buttons to extend or retract nozzle coverage area.



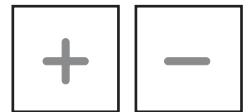
PULSATE

- Press PULSATE to raise or lower water pressure for an automatic smooth, pulsating wash.



WATER PRESSURE

- Press + or - to increase or decrease water pressure during FRONT or REAR WASH cycle.



NOTE: If you have low water pressure, check water filter for blockage.

* Renew Plus™ feature only.

OPERATION (continued)

SOFT WASH

- Press SOFT WASH for lower seat temperature and water pressure in a forward nozzle position. Press REAR WASH or FRONT WASH to move the nozzle forward and backward.



NOTE: When SOFT WASH mode is activated, seat temperature will be one step lower than usual. INTENSE WASH function will not operate during the operation of SOFT WASH function.

SEAT TEMP

- Press SEAT TEMP to control 4 temperature settings (Off / Low / Med / High) of the seat.



- Off (no light)
- Low (blue)
- Medium (pink)
- High (red)

WATER TEMP

- Press WATER TEMP to control 4 temperature settings (Off / Low / Med / High) of the water.



- Off (no light)
- Low (blue)
- Medium (pink)
- High (red)

ECO MODE

- AUTOMATIC ECO MODE – Press ECO MODE until blue light stays on. Seat will be kept at 89.6°F (32°C). If SEAT TEMP is off, it will remain off.



- Automatic (blue)
- Intelligent (red)

- INTELLIGENT ECO MODE – Press ECO MODE until red light stays on. Seat will be kept at 89.6°F (32°C) when it is not occupied and raise back to preset level according to memorized time of use. It may take 5-7 days for the unit to memorize usage pattern.

- TURN OFF ECO MODE – Press ECO MODE until light turns off to release energy save modes.

NOTE: This unit adopts instant heating technology for water heating and does not consume the energy for water heating when unit is in stand by mode.

LOW TEMPERATURE BURN PROTECTION

- To reduce the chance of low-temperature burns, the seat has an auto adjustment which turns to low temperature 89.6°F (32°C) when seat is occupied for more than 15 minutes consecutively.

OPERATION (continued)

USER PRESET

- Nozzle position, water pressure, dryer*/water/seat temperatures can be preset and stored for 2 different users. Wash and dry functions can only be set while seated on unit.

- **SETTING PRESET 1:** Set position, pressure, dryer*/water/seat temperature to preference. Press STOP and FORWARD NOZZLE POSITION at the same time for 3 seconds. Press STOP or just wait. Red light will blink for 5 seconds.



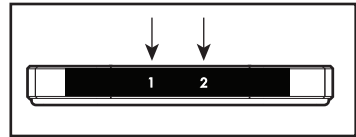
- **SETTING PRESET 2:** Set position, pressure, dryer*/water/seat temperature to preference. Press STOP and BACKWARD NOZZLE POSITION at the same time for 3 seconds. Press STOP or just wait. Red light will blink for 5 seconds.



NOTE: Changing batteries will not retain remote settings.

CHOOSING USER PRESET

- Press selected preset user 1 or 2 on top to activate preset nozzle position, water pressure, and temperatures.



NIGHT LIGHT*

- Red LED light provides enough brightness to see the toilet without turning on the bathroom light.
- Night light can be turned on and off by pressing + on the remote for 3 seconds while not seated.



DEODORIZER*

- Active carbon deodorizing function automatically starts when Renew Plus™ seat is occupied and continues for 1 minute after seat is vacated. The automatic deodorizer feature can be turned on/off and fan speed adjusted.
- Press STOP and ECO MODE for 3 seconds. Press + or - to set deodorizer fan speed from 0 (off) - 3 (high). Leave remote alone for 5 seconds to complete setting.

* Renew Plus™ feature only.

OPERATION (continued)

POWER OFF / ON

- Press STOP for 3 seconds to power off. Press STOP, FRONT, or REAR WASH to power on.

FACTORY RESET

- To reset the settings to factory default, press STOP on the auxiliary panel for 5 seconds and then unplug cord for 5 seconds. The unit will be turned off and on automatically and initialized and all presets will be deleted. Plug back in while not seated on unit.

MUTE

- Press FRONT WASH button for 3 seconds while not being seated on unit to turn remote touch chimes on or off.

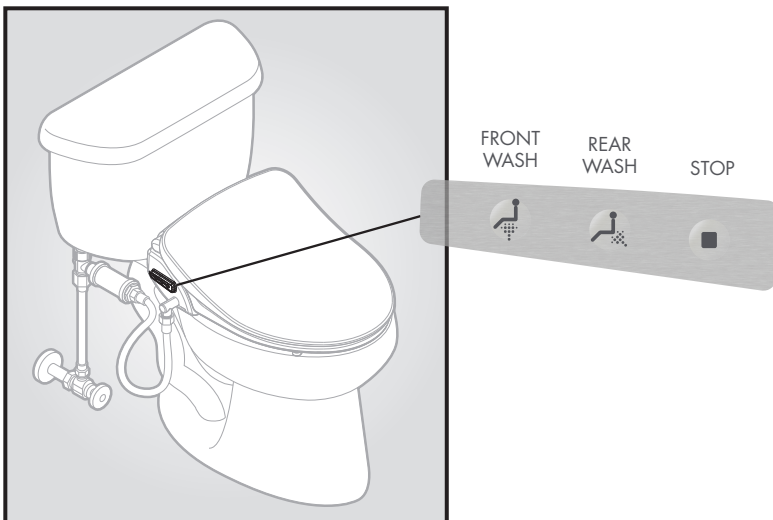
SEAT / REMOTE PAIRING

Consumers do NOT need to pair the remote with the bidet unless there are multiple bidets in close proximity to each other. After pairing, remote will only be able to control the seat that it is paired with.

- Press the OSCILLATE button for 3 seconds, then press + or - to set ID from 0 - 3. Leave remote alone for 5 seconds to complete setting.

AUXILIARY PANEL / SIDE CONTROLS

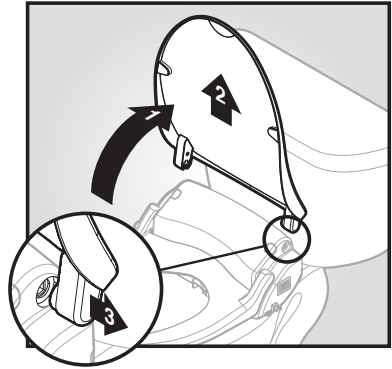
Backup functionality, in case remote is not working, batteries run out, or cannot be located.



CARE & MAINTENANCE

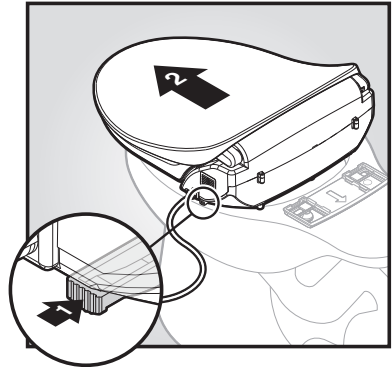
QUICK RELEASE LID

- To REMOVE the lid, raise the lid to the upright (90°) position and gently lift up on the left side of the lid to expose the hinges.
- Push the lid towards the right of the unit so the right side of the lid slides out of the rear bidet cover.
- To REINSTALL, insert the right side of the lid into the rear bidet cover and line up the hinge in the correct position in the lid for the hinge to slide into.
- Press down and the hinge will click into place.



QUICK RELEASE SEAT

- To REMOVE the bidet from the seat bracket and the toilet, locate the quick release button located on the right side of the unit as you face the toilet.
- Press and hold the quick release button, slide the seat forward towards the front of the toilet and off of the seat bracket.
- To REINSTALL onto the seat bracket, line up the bidet with the seat bracket and slide it back onto the seat bracket unit you hear a click. (See step 6 of the installation instructions.)



DRAINING RESERVOIR TANK

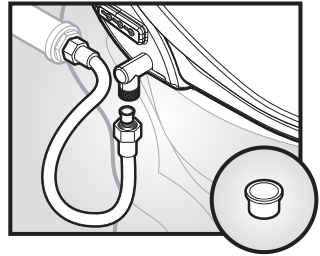
To prepare for a period of non-use or storing the unit, drain the water from the unit.

- Unplug the power cord from the outlet. Do not touch the power outlet with wet hands (risk of electric shock).
- Turn off the water supply valve.
- Press the button on side of the bidet body to release seat and drain tank.
- Suggested maintenance: every 12 months or as needed.

CARE & MAINTENANCE (continued)

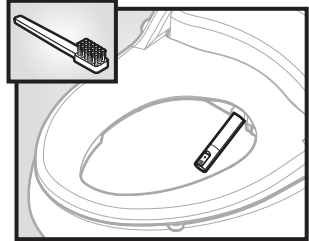
CLEANING WATER LINE FILTER

- Turn off water valve and disconnect water supply hose.
- Take out screen filter and clean with a soft brush.
- Replace screen filter, reconnect hose, and turn on water supply.
- Suggested maintenance: every 6 - 12 months.



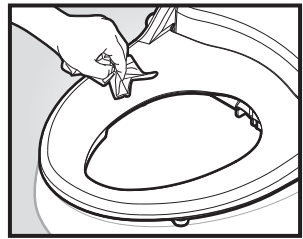
CLEANING NOZZLE

- Press REAR WASH on the auxiliary panel for longer than 3 seconds while not seated on unit. The nozzle will extend for 2 minutes.
- Clean the nozzle with an unused toothbrush.
- Press STOP to return nozzle to original position.
- If STOP button is not pressed, the nozzle will be retracted automatically in 2 minutes.
- Plastic nozzle tip can be easily replaced.
- Suggested maintenance: every 6 - 12 months or as needed.



CLEANING BIDET BODY

- Unplug the power cord from the outlet. Do not touch the power outlet with wet hands (risk of electric shock).
- Wipe the exterior surface with a soft damp cloth (squeezed completely). Do not spray water directly onto the surface.
- Suggested maintenance: as needed.



TROUBLESHOOTING

If bidet appears to be operating abnormally, please review troubleshooting tips before calling Customer Service, as most issues are easily resolved in a few steps.

PLEASE NOTE, THE SKIN SENSOR IN THE SEAT MUST DETECT A USER FOR FULL PRODUCT FUNCTIONALITY.

PLEASE CHECK THE FOLLOWING:

- Understand that full product functions (such as wash functions) will not work unless the user sensor on seat detects an occupant.
- The bidet is connected to power and the outlet is working properly.
- Test the reset button on the GFCI Outlet.
- The remote control has fresh batteries and are installed correctly.
- Main water supply valve is open.
- Seat is NOT in ECO MODE (lower seat temperature setting).
- There are no leaks from hoses or water supply.
- Mesh filter is clean and free of build-up or debris.

DO NOT RETURN PRODUCT TO STORE

Residual moisture on the product is NORMAL. Every product is tested with pure water during manufacturing to ensure the highest quality and performance. It is normal to find residual moisture or water spots in or on the product.

HOW TO OBTAIN SERVICE OR PARTS

To obtain address and return authorization for service, please contact Customer Service at Bemis Manufacturing Company at 1-888-722-6488. Proof of purchase in the form of a copy of your original receipt must accompany the returned unit for the warranty to be valid.

TROUBLESHOOTING (continued)

PROBLEM	POSSIBLE CAUSES	SOLUTION
Unit will not operate.	1. Bidet plug is not plugged in.	1. Plug in power cord.
	2. Power failure.	2. Power on; check GFCI outlet.
	3. There is power, but bidet does not function.	3. Check remote batteries; replace or rearrange as needed.
	4. Body sensor not activated.	4. Adjust sitting position to activate sensor.
Water does not spray.	1. Water supply is off.	1. Turn on water supply.
	2. Nozzle is dirty.	2. Clean nozzle.
	3. Connection hose bent.	3. Straighten connection hose.
Low water pressure.	1. Mesh water filter is clogged.	1. Remove, clean and reinstall filter.
	2. Water pressure is set too low.	2. Increase water pressure.
	3. Internal (optional) filter clogged.	3. Check and replace filter.
	4. Pressure settings too low.	4. Adjust settings on remote.
Water not warm enough.	1. Temperature is set to off or low.	1. Change to desired setting.
	2. Resettable bimetal fuse tripped.	2. If temperature exceeds normal levels, the fuse will automatically reset after bidet cools down.
Seat not warm enough.	1. Temperature is set to off, low, or eco mode.	1. Change to desired setting.
Intense wash not operating.	1. Soft wash mode is set.	1. Change soft wash setting.
Cold air blowing from dryer.	1. Warm air dryer set to off.	1. Change dryer setting on remote.
Water flows from nozzle before or after use.	1. Nozzle self-cleaning.	1. Water that comes out before or after wash cycle is residual / self cleaning and not a malfunction.
Water leaks from other areas other than nozzle.	1. Water leaking from T-valve or bidet hose connection.	1. Make sure rubber gasket is seated correctly and attached firmly. Do not over tighten.
	2. Water leaking by mesh filter.	2. Remove, clean, inspect and reinstall mesh filter.
	3. Water leaking by external (optional) filter.	3. Check fittings; replace filter as needed.
Product shuts off during use.	1. Washing or drying exceeded cycle time.	1. Press desired button during cycle to extend time.
	2. Power failure.	2. Power on; check GFCI outlet.
Nozzle doesn't function properly.	1. Nozzle needs cleaning.	1. Clean nozzle.
	2. Clogged filter(s).	2. Check, clean, and replace filters as needed.
	3. Water pressure is too low.	3. Check water supply, hoses, and filters.

SPECIFICATIONS

ITEM		RENEW™ / RENEW PLUS™	
Rated Voltage		AC 120V, 60Hz	
Max. Power Consumption		1270W	
Power Cord Length		70.8" (1.8 m)	
Water Feed Method		Directly Connected to Water Pipe	
Recommended Water Pressure		0.7~7.5kgf/cm ²	
Wash 2 minute cycle	Feed Volume	Front	.185 gpm (0.7 L/min)
		Rear	.185 gpm (0.7 L/min)
		Intense	.185 gpm (0.7 L/min)
	Water Pressure Control		5-level Control
	Temp. Control		Room Temp. ~38°C (100°F)
	Heater Capa.		1200W
	Safety Device		Temp. Fuse, Thermo Switch
Heated Seat	Temp. Control		Room Temp. ~42°C (108°F)
	Heater Capa.		55W
	Safety Device		Temp. Fuse
Dry 2 minute cycle	Temp Control		Room Temp. ~50°C (122°F)
	Heater Capa.		250W
	Safety Device		Temp. Fuse, Bi-metal (overheating prevention)
Deodorization		Catalytic Deodorization	
Recommended Weight Limit		Seat: 352 lb (160 kg) / Lid: 220 lb (100 kg)	
Product Dimensions in (cm)	Elongated	15.9" (40.6 cm) x 20.8" (52.8 cm) x 7.5" (19 cm)	
	Round	15.9" (40.6 cm) x 19.5" (49.6 cm) x 7.5" (19 cm)	
Product Weight / Gross weight lb (kg)	Elongated	10.8 lb (4.9 kg) / 17.4 lb (7.9 kg)	
	Round	10.6 lb (4.8 kg) / 17.2 lb (7.8 kg)	

1 YEAR LIMITED WARRANTY

Bemis warrants that all Bathroom Products will conform to any mutually agreed-upon specifications, and will be free of defects in material, workmanship, and title for a period of one year, following the proven date of purchase from Bemis.

If Buyer provides written notice of a Product defect to Bemis within the applicable warranty period and Buyer provides adequate documentation or evidence that establishes a Product defect to Bemis' satisfaction, Buyer's sole remedy is the repair, replacement, or refund of the Product's purchase price (less shipping, if applicable), at Bemis' option.

Bemis may, at its option, require the return of any Product for inspection and testing before honoring any defect claim. Products returned for a refund must be in original packaging and in saleable condition, and may be subject to a restocking fee. Discontinued colors or models, and custom or specially ordered Products cannot be returned for a refund.

This Limited Warranty is void if: (a) the Product has not been installed, used, or maintained according to any applicable written materials, including written instructions, specifications, packaging, and manuals; (b) the Product is not used for the intended application, or (c) the Product has been modified or repaired without Bemis' express written permission.

THIS LIMITED WARRANTY IS PROVIDED IN LIEU OF ALL OTHER WARRANTIES, EXPRESS OR IMPLIED, INCLUDING THE IMPLIED WARRANTIES OF MERCHANTABILITY AND FITNESS FOR A PARTICULAR PURPOSE. BEMIS EXPRESSLY DISCLAIMS LIABILITY FOR SPECIAL, PUNITIVE, EXEMPLARY, CONSEQUENTIAL OR INCIDENTAL DAMAGES ASSOCIATED WITH THE PRODUCT, INCLUDING LOST PROFITS OR BUSINESS INTERRUPTIONS. Bemis' LIABILITY UNDER THESE TERMS AND CONDITIONS SHALL NOT EXCEED THE PURCHASE PRICE OF THE PRODUCTS.

TO REGISTER YOUR PRODUCT

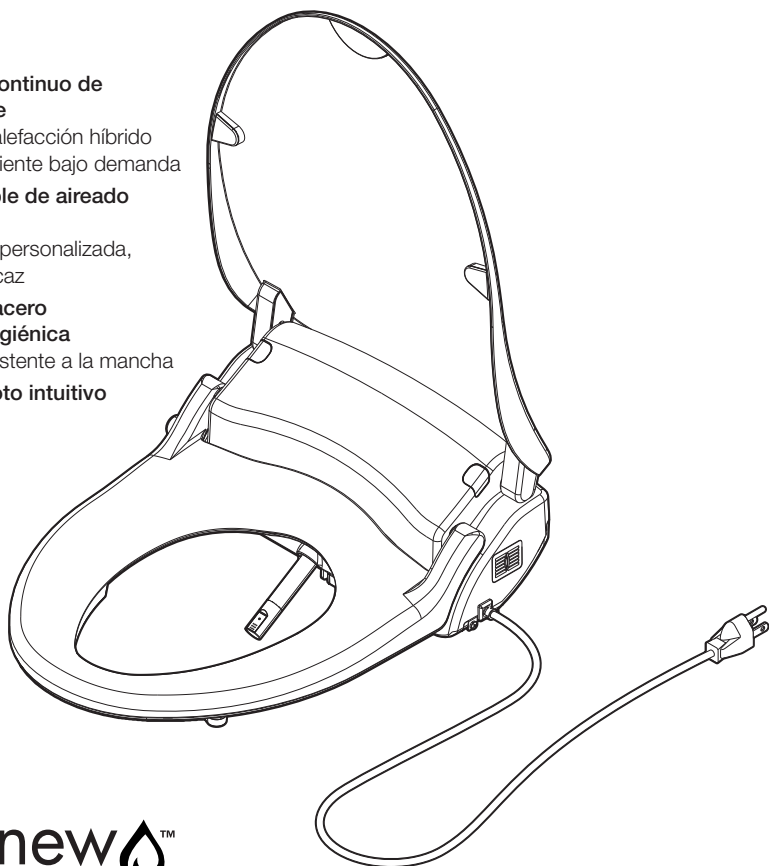
Please go to www.RenewSeats.com to register your seat.

Manual propietario e instrucciones de instalación del bidet

Español p. 23

Français p. 45

- **Suministro continuo de agua caliente**
sistema de calefacción híbrido para agua caliente bajo demanda
- **Personalizable de aireado de lavado**
limpieza más personalizada, cómoda y eficaz
- **Boquilla de acero inoxidable higiénica**
Durable y resistente a la mancha
- **Control remoto intuitivo de toque**



Renew[™]
PLUS

BEMIS®
7BB1980NL (Alargado)
7BB980NL (Redondo)

CHURCH®
7FB1780NL (Alargado)
7FB780NL (Redondo)

Renew[™]

BEMIS®
7BB1940 (Alargado)
7BB940 (Redondo)

CHURCH®
7FB1740 (Alargado)
7FB740 (Redondo)

GUARDA ESTAS INSTRUCCIONES


TABLA DE CONTENIDO

Importantes medidas de seguridad	24 - 25
Piezas y accesorio	26
Antes de la instalación	27
Instalación	27 - 31
Control remoto	32 - 33
Operación	34 - 37
Cuidado y mantenimiento	38 - 39
Solución de problemas	40 - 41
Especificaciones	42
Garantía	43
Registro	44

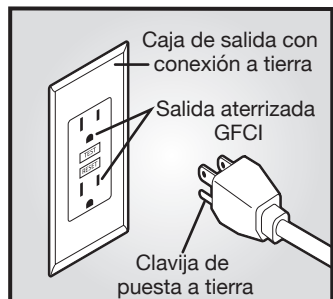
IMPORTANTES MEDIDAS DE SEGURIDAD

INSTRUCCIONES DE CONEXIÓN A TIERRA

Este producto debe conectarse a tierra. En caso de un cortocircuito eléctrico, la conexión a tierra reduce el riesgo de choque eléctrico proporcionando un cable de escape para la corriente eléctrica. Este producto está equipado con un cable que tiene alambre de conexión a tierra con un enchufe a tierra. El enchufe debe enchufarse en un tomacorriente GFCI de 120 v debidamente instalado y conectado a tierra.

 **PELIGRO** – Uso inadecuado del enchufe con conexión a tierra puede resultar riesgo de choque eléctrico. Si fuera necesario reparar o reemplazar el cable o el enchufe, no conecte el cable a tierra a cualquier plano de la lámina terminal. El alambre con aislamiento que tiene una superficie exterior que es verde, con o sin franjas amarillas es el cable a tierra.

- Verifique con un electricista calificado si no comprende las instrucciones de puesta a tierra, o en caso de duda que el producto está correctamente conectado a tierra.
- Si es necesario utilizar un cable de extensión, use sólo una extensión de 3 alambres que tenga un enchufe a tierra de 3 clavijas y un receptáculo de 3 ranuras que acepte el enchufe del producto. Reemplace o repare los cables dañados.



⚠ IMPORTANTES MEDIDAS DE SEGURIDAD ⚠

⚠ ADVERTENCIA – Si no se siguen las instrucciones de advertencia, pueden producirse lesiones físicas o daños a la propiedad.

⚠ PRECAUCIÓN – Si no se siguen las precauciones, pueden producirse lesiones físicas o daños a la propiedad.

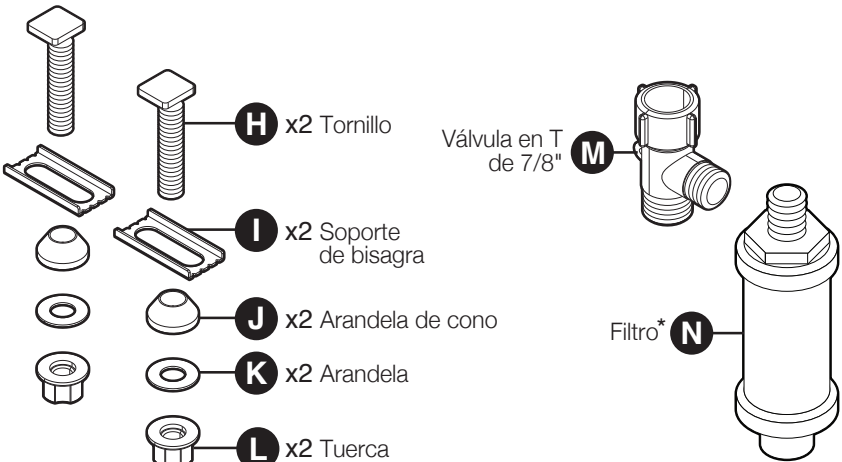
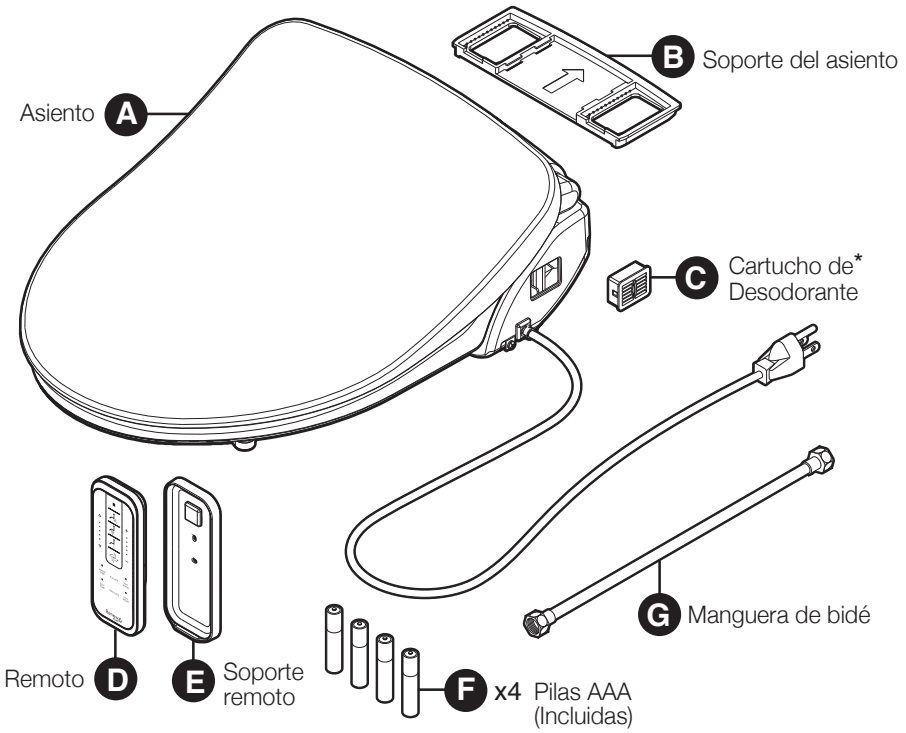
⚠ ADVERTENCIA – Para reducir el riesgo de descarga eléctrica o incendio:

- No desmonte, modifique ni repare esta unidad.
- No conecte ni toque el cable de alimentación con las manos mojadas.
- No rocíe agua en el cuerpo principal del producto ni en el cable de alimentación.
- No utilice un cable de alimentación o toma de corriente dañados. Llame al servicio de atención al cliente si se requiere un cable de reemplazo.
- Asegúrese de que el cable de alimentación esté correctamente insertado en la toma de corriente.
- No tenga cigarrillos ni materiales inflamables cerca del producto.
- No tire cigarrillos en el producto.
- No conecte el producto a una tubería de agua industrial.
- No conecte la alimentación al producto hasta que esté completamente instalado.
- No bloquee los orificios de aire caliente por el ventilador con las manos o cualquier objeto. (Sólo Renew™ Plus.)
- Cuando retire el producto del inodoro, desenchufe primero el cable de alimentación.

⚠ PRECAUCIÓN

- No se pare ni ponga objetos pesados sobre el producto.
- No force la tapa del inodoro.
- No se apoye contra el inodoro.
- No utilice limpiadores fuertes, detergentes, benceno o diluyente para limpiar el producto.
- No doblar ni forzar la conexión de la manguera.
- El contacto prolongado de la piel con el asiento puede causar una quemadura a baja temperatura. La temperatura debe establecerse en BAJO o APAGADO cuando es usado por niños, ancianos o individuos que no pueden controlar la temperatura.
- No utilice si el producto no funciona correctamente.
- Retire el enchufe de alimentación y el depósito de desagüe si la unidad no va a utilizarse durante un período de tiempo prolongado. (Vea la página 38 para el tanque de drenaje.)
- No coloque el producto retirado boca abajo.
- No utilice spray para el cabello o ambientador cerca del producto.
- Durante la instalación, deslice el respaldo del bidé hasta que encaje en el soporte del asiento.
- Exceder los límites de peso recomendados (asiento: 352 libras / tapa: 220 libras) puede romper o reducir la esperanza de vida de su asiento de bidet.

PARTES Y HARDWARE



* Sólo Renew Plus™.

ANTES DE INSTALAR

Asegúrese de que todas las piezas estén a la mano antes de continuar con la instalación.

La humedad residual en el bidé en la compra asegura que su producto fue probado en la fábrica con agua pura para cumplir con los más altos estándares de calidad y rendimiento.

Elementos necesarios, pero no incluidos: Salida de pared GFCI y manguera flexible de suministro de agua.

Compruebe la línea que conecta el tanque del inodoro a la válvula de cierre del agua. Si se trata de una tubería rígida, puede que necesite comprar una manguera flexible para reemplazarla antes de la instalación. La longitud de la manguera y el tamaño de las conexiones variarán.

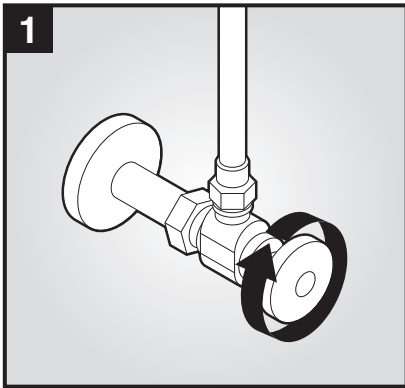
El apriete a mano suele ser suficiente para el proceso de instalación típico. Sin embargo, en algunas situaciones, puede ser necesario un destornillador o una llave ajustable.

INSTALACION DEL ASIENTO SUPERIOR

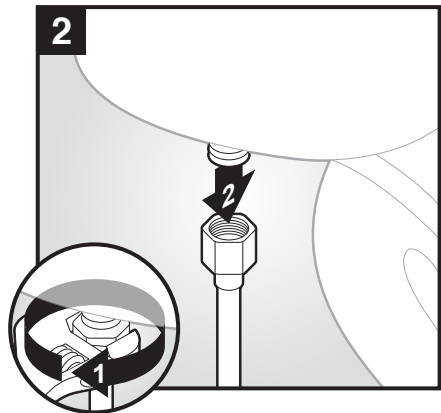
Para instalar en baños sin acceso a los pernos por debajo, por favor llame a Bemis Manufacturing empresa servicio al cliente en 1-888-722-6488 para obtener un kit de hardware de montaje superior.

INSTALACIÓN

**Lea estas instrucciones cuidadosamente antes de la instalación.
Si no lo hace, podría dañar el producto o la propiedad.**

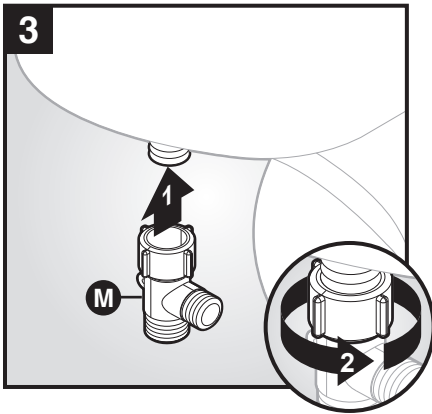


Apague el suministro de agua y drene todo el agua del tanque del inodoro sosteniendo el mango de descarga por 10 segundos o hasta que el tanque se vacíe.



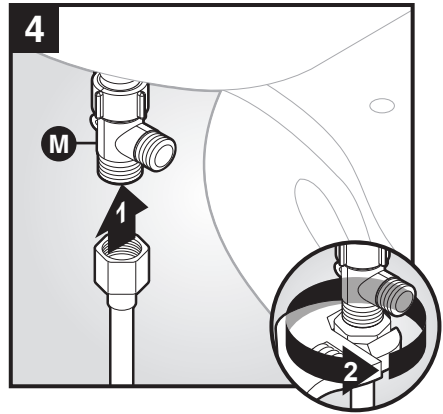
Coloque un recipiente debajo para tomar el exceso de agua. Retire la línea de suministro de agua existente del accesorio de suministro de agua del tanque de inodoro.

INSTALACIÓN (continuación)



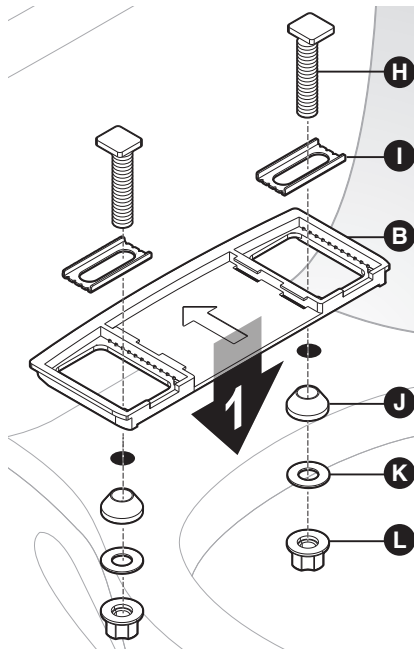
Apriete la válvula en T de 7/8 " (M) a la conexión del suministro de agua del TANQUE del retrete. No mantenga la válvula de llenado dentro del tanque.

IMPORTANTE: LA VÁLVULA T SE INSTALA EN LA PARTE INFERIOR DEL DEPÓSITO, NO EN LA PARED.



Conecte la línea de suministro de agua desde la pared hasta la parte inferior de la válvula T (M).

Conecte el suministro de agua fría solamente. Si su línea de suministro es rígida, es posible que necesite reemplazarla con una manguera flexible.



SOPORTE DE SEGURIDAD Y HARDWARE

Coloque el soporte de asiento ajustable (B) sobre los orificios de montaje del inodoro.

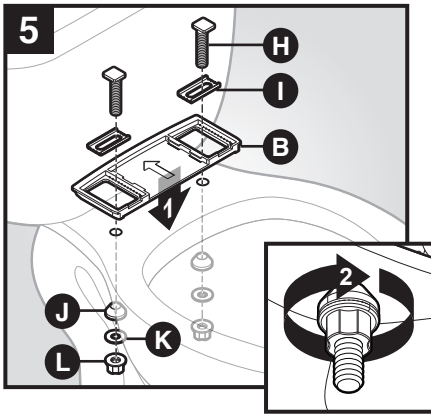
Coloque los soportes de la bisagra (I) con el lado plano hacia abajo en el centro de las aberturas cuadradas en el soporte del asiento (B).

Inserte los pernos (H) a través de los soportes de bisagra (I) y los orificios de montaje. La cabeza de perno cuadrada debe ser uniforme con los lados del soporte de la bisagra.

Deslice la arandela de cono de goma (J), la arandela (K) y luego la tuerca (L) en los pernos debajo de la taza del inodoro y apriétela ligeramente para mantener el soporte del asiento en su lugar.

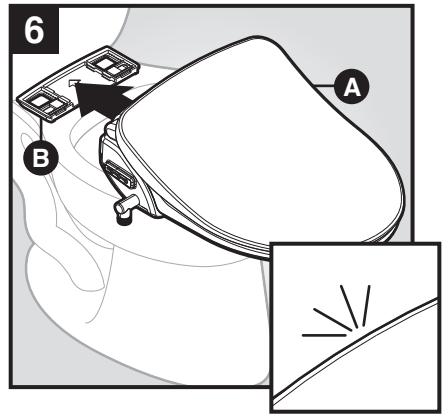
Continúe con el paso 6 para montar el asiento.

INSTALACIÓN (continuación)

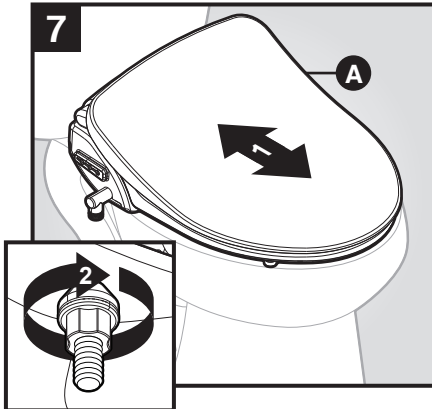


Coloque el soporte de asiento ajustable (B) sobre los orificios de montaje del inodoro e instale el hardware. Consulte la página 28 para obtener más información.

NOTA: APRIETE LIGERAMENTE LA MANO, PERO NO APRIETE COMPLETAMENTE.

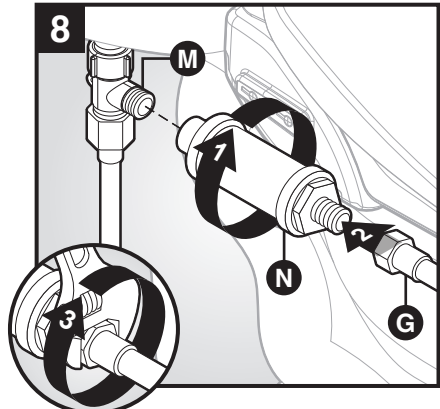


Coloque el asiento del bidé en el recipiente delante de la placa de montaje y empuje el asiento (A) de nuevo en su lugar en el soporte de la bisagra (B) hasta que encaje en su lugar.



Ajuste el asiento (A) hacia delante o hacia atrás para alinearlos correctamente.

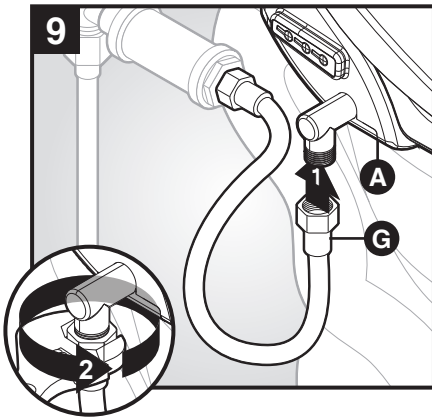
Apriete completamente las tuercas desde abajo.



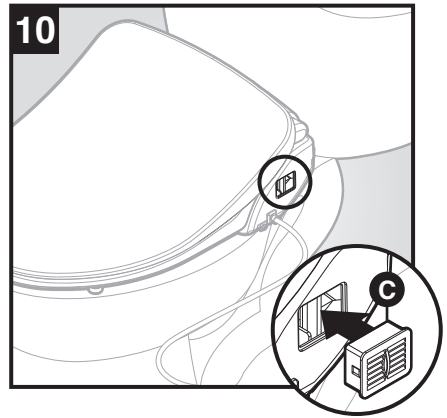
Instale el filtro opcional (N) en la válvula T (M) y la manguera del bidé (G) en el otro extremo del filtro.

NOTA: Conecte la manguera del bidé (G) directamente a la válvula T (M) si no instala el filtro.

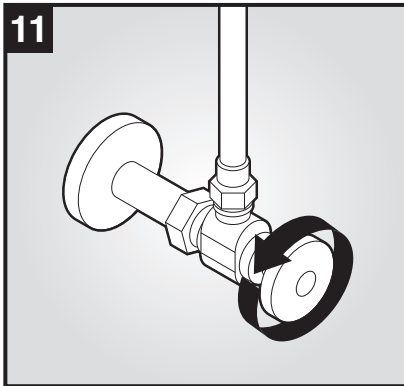
INSTALACIÓN (continuación)



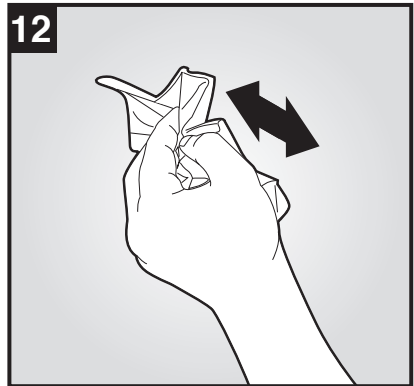
Conecte el otro extremo de la manguera del bidé (G) a la conexión del asiento (A), asegurándose de que esté firmemente conectado. No doblar ni doblar bruscamente la manguera ni desprender las roscas de los tornillos de plástico.



Instale el cartucho de desodorización (C) en el asiento. (Sólo la función *Renew Plus™*, el modelo *Renew™* tendrá un cartucho no funcional insertado.)

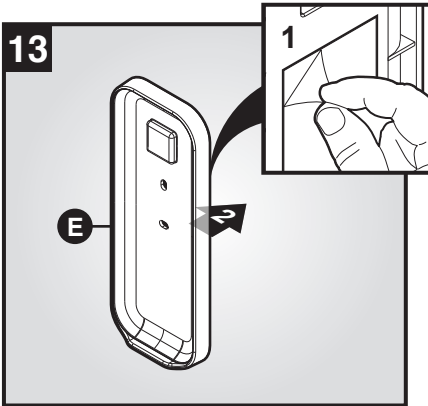


Abra lentamente el suministro de agua y compruebe si hay fugas. Espere 5 minutos y vuelva a comprobar si hay fugas en todas las conexiones.

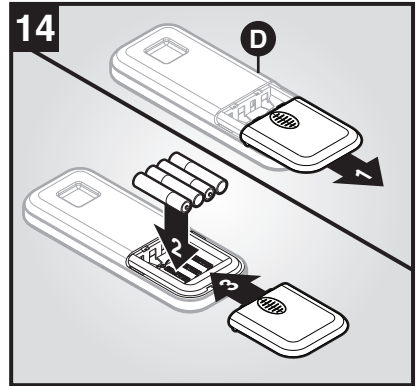


Para instalar el control remoto, primero limpie y seque completamente el área de instalación.

INSTALACIÓN (continuación)

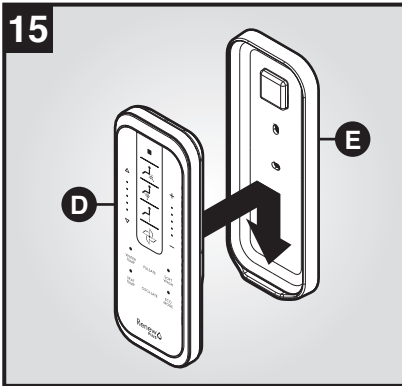


Retire el adhesivo de la parte trasera del soporte remoto (E) y coloque el soporte remoto en una superficie limpia y seca.

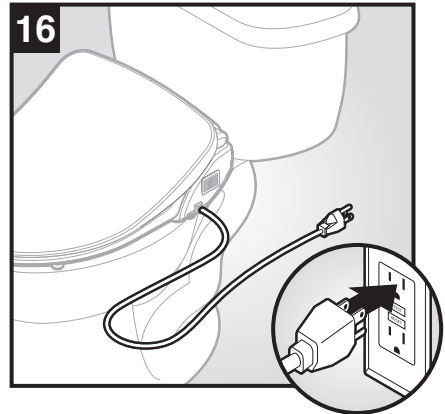


Retire la cubierta del panel trasero del mando a distancia (D) e instale apropiadamente 4 pilas AAA. Vuelva a colocar la cubierta del panel posterior.

NOTA: Si las 5 luces parpadean, las baterías han llegado al final de su vida útil y deben ser reemplazadas.



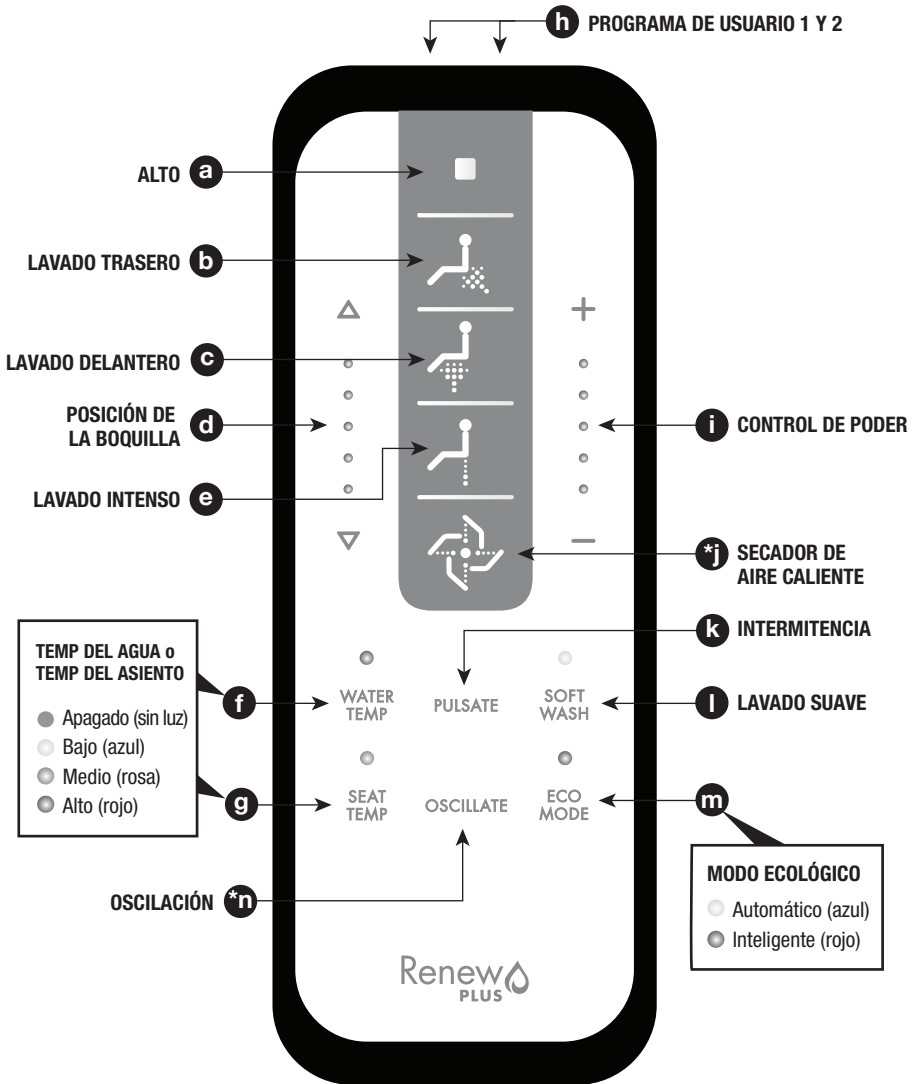
Coloque el control remoto (D) en el soporte del mando a distancia magnético (E).



Enchufe el cable de alimentación en el tomacorriente GFCI.

NOTA: El cable de extensión de 15A para servicio pesado puede utilizarse temporalmente.

CONTROL REMOTO



***Sólo RENEW PLUSTM**

NOTA: El mando a distancia no funcionará si las baterías están débiles, muertas o no instaladas correctamente. Requiere 4 pilas AAA.

- a ALTO** termina cualquier función de operación
- b LAVADO TRASERO** activa el ciclo de limpieza trasero durante 2 minutos, seguido del ciclo de secado automático* (a menos que el botón de ALTO sea presionado)
- c LAVADO DELANTERO** activa el ciclo de limpieza delantero durante 2 minutos, seguido del ciclo de secado automático* (a menos que el botón de ALTO sea presionado)
- d POSICIÓN DE LA BOQUILLA** mueve la boquilla hacia delante y hacia atrás en 5 posiciones con los botones de flecha
- e LAVADO INTENSO** activa el ciclo de limpieza de alta presión trasera durante 2 minutos (a menos que el botón de ALTO sea presionado)
- f TEMP DEL AGUA** controla 4 niveles de temperatura del agua (Apagado / Bajo / Medio / Alto)
- g TEMP DEL ASIENTO** controla los niveles de temperatura de 4 asientos (Apagado / Bajo / Medio / Alto)
- h PROGRAMACIÓN DE USUARIO** almacena 2 ajustes preestablecidos de usuario en la memoria
- i CONTROL DE PODER** controla la temperatura del secador de aire caliente y la presión del agua con + / -
- *j SOPLE DE AIRE TIVIO** sopla aire caliente para ayudar a secar durante 3 minutos con 5 ajustes de temperatura (*sólo función Renew Plus™*)
- k INTERMITENCIA** aumenta automáticamente y baja la presión del agua para un lavado intermitente
- l LAVADO SUAVE** laja la temperatura del asiento y la presión del agua en una posición de boquilla delantera (LAVADO INTENSO deshabilitada)
- m MODO ECOLÓGICO** controla modos ECO Automático e Inteligente
- *n OSCILACIÓN** mueve la boquilla automáticamente hacia adelante y hacia atrás (*sólo función Renew Plus™*)

* Sólo Renew Plus™.

OPERACIÓN

TECNOLOGÍA DEL SENTIDO DEL CUERPO

- El sensor del usuario detecta la piel del ocupante sentado en el asiento para una funcionalidad completa del producto. (La función de desodorización se inicia automáticamente en el modelo Renew PlusTM.)

FRENTE, TRASERA, Y LAVADO INTENSO

- El sistema de boquilla única para funciones de lavado aireado proporciona una limpieza más cómoda y eficaz. (Durante SOFT WASH, LAVADO INTENSO no funcionará.)



SECADOR DE AIRE CALIENTE*

- Ciclo de secado de 3 minutos con 5 niveles de temperatura.



NOTA: El tiempo de secado se reducirá si la humedad se limpia ligeramente antes de operar la función de secado.

ALTO

- Las funciones seleccionadas paran cuando se pulsa ALTO en el panel remoto o lateral. Presione ALTO en el panel de control lateral durante 3 segundos para apagar la unidad.



OSCILACIÓN*

- Presione OSCILLATE para mover la boquilla hacia adelante y hacia atrás durante el lavado delantero, trasero e ininterrumpido.
- Presione los botones hacia delante o hacia atrás para extender o retraer el área de cobertura de la boquilla.



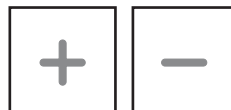
INTERMITENCIA

- Presione PULSATE para elevar o bajar la presión del agua para un lavado automático, suave y pulsante.



PRESIÓN DEL AGUA

- Presione + o - para aumentar o disminuir la presión del agua durante el ciclo LAVADO DELANTERO o LAVADO TRASERO.



NOTA: Si tiene baja presión de agua, revise el filtro de agua para ver si está obstruido.

* Sólo Renew PlusTM.

OPERACIÓN (continuación)

LAVADO SUAVE

- Presione SOFT WASH para bajar la temperatura del asiento y la presión del agua en la posición de la boquilla delantera. Presione LAVADO TRASERO o LAVADO DELANTERO para mover la boquilla hacia delante y hacia atrás.



NOTA: Cuando se activa el modo SOFT WASH, la temperatura del asiento estará un paso más baja de lo habitual. La función LAVADO INTENSO no funcionará durante el funcionamiento de la función SOFT WASH (LAVADO SUAVE).

TEMP DEL ASIENTO

- Presione SEAT TEMP para controlar 4 ajustes de temperatura (Apagado / Bajo / Medio / Alto) del asiento.



- Apagado (sin luz)
- Bajo (azul)
- Medio (rosa)
- Alto (rojo)

TEMP DEL AGUA

- Presione WATER TEMP para controlar 4 ajustes de temperatura (Apagado / Bajo / Medio / Alto) del agua.



- Apagado (sin luz)
- Bajo (azul)
- Medio (rosa)
- Alto (rojo)

MODO ECOLÓGICO

- MODO ECO AUTOMÁTICO - Presione ECO MODE hasta que la luz azul permanezca encendida. El asiento se mantendrá a 89,6°F (32°C). Si la temperatura del asiento está desactivada, permanecerá apagada.



- Automático (azul)
- Inteligente (rojo)

- MODO ECO INTELIGENTE - Presione ECO MODE hasta que la luz roja permanezca encendida. El asiento se mantendrá a 89,6°F (32°C) cuando no esté ocupado y volverá al nivel preestablecido según el tiempo de uso memorizado. Puede tomar 5-7 días.

- Desactivar el ECO MODE - Pulse ECO MODE hasta que la luz se apague para liberar los modos de ahorro de energía.

NOTA: Esta unidad adopta la tecnología de calefacción instantánea para la calefacción de agua y no consume la energía para la calefacción de agua cuando la unidad está en modo stand by.

PROTECCION DE QUEMADURAS DE BAJA TEMPERATURA

- Para reducir la posibilidad de quemaduras a baja temperatura, el asiento tiene un ajuste automático que cambia a una temperatura baja de 89,6°F (32°C) cuando el asiento está ocupado durante más de 15 minutos consecutivamente.

OPERACIÓN (continuación)

PROGRAMACIÓN DE USUARIO

- La posición de la boquilla, la presión del agua, la temperatura del secador * / agua / asiento se pueden preestablecer y almacenar para 2 usuarios diferentes. Las funciones de lavado y secado sólo pueden ajustarse mientras están sentadas en la unidad.

- AJUSTE **PRESET 1:** Ajuste la posición, la presión, la temperatura del secador * / agua / asiento de preferencia. Pulse ALTO y POSICIÓN DE BOQUILLA HACIA ATRÁS al mismo tiempo durante 3 segundos. Pulse STOP o simplemente espere. La luz roja parpadeará por 5 segundos.



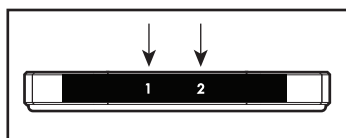
- AJUSTE **PRESET 2:** Ajuste la posición, la presión, la temperatura del secador*/agua/asiento de preferencia. Pulse ALTO y POSICIÓN DE BOQUILLA HACIA ADELANTE al mismo tiempo durante 3 segundos. Pulse ALTO o simplemente espere. La luz roja parpadeará durante 5 segundos.



NOTA: El cambio de pilas no conservará los ajustes remotos.

SELECCIÓN DEL USUARIO PRESET

- Presione el usuario preestablecido 1 o 2 en la parte superior para activar la posición de la boquilla preajustada, la presión del agua y las temperaturas.



LUZ DE NOCHE*

- La luz roja del LED brinda bastante brillo para ver el tocador sin encender la luz del cuarto de baño.
- La luz nocturna se puede encender y apagar presionando + en el mando a distancia durante 3 segundos mientras no esté sentado.



DESODORIZACIÓN*

- La función de desodorización del carbón activo se inicia automáticamente cuando el asiento Renew Plus[™] está ocupado y continúa durante 1 minuto después de que el asiento está vacío. La función de desodorización automática se puede activar/desactivar y la velocidad del ventilador ajustada.
- Pulse ALTO y ECO MODE durante 3 segundos. Pulse + o - para ajustar la velocidad del ventilador del desodorante desde 0 (desactivado) - 3 (alto). Deje el control remoto solo durante 5 segundos para completar el ajuste.

* Sólo Renew Plus[™].

OPERACIÓN (continuación)

ENCENDIDO / APAGADO

- Pulse ALTO durante 3 segundos para apagarlo. Presione ALTO, LAVADO DELANTERO, o LAVADO TRASERO para encender.

RESTAURACIÓN DE FÁBRICA

- Para restablecer los ajustes a los valores predeterminados de fábrica, presione ALTO en el panel auxiliar durante 5 segundos y desenchufe el cable por 5 segundos. La unidad se apagará y se encenderá automáticamente y se inicializará y se borrarán todas las programaciones. Enchufe nuevamente mientras no esté sentado en la unidad.

MUDO

- Presione el botón LAVADO DELANTERO durante 3 segundos mientras no esté sentado en la unidad para activar o desactivar los timbres de toque remoto.

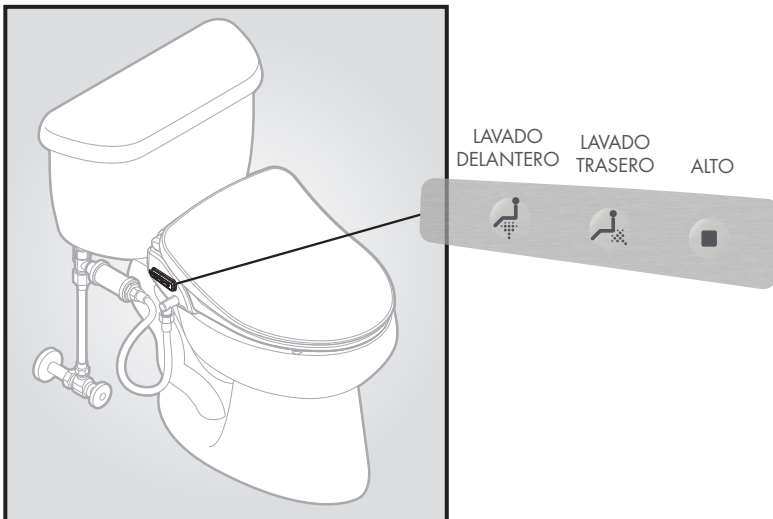
ASIENTO / EMPAREJAMIENTO REMOTO

Los consumidores NO necesitan emparejar el mando a distancia con el bidé a menos que haya varios bidés en estrecha proximidad entre sí. Después del emparejamiento, el mando a distancia sólo podrá controlar el asiento con el que está emparejado.

- Presione el botón OSCILLATE durante 3 segundos, luego presione + o - para establecer ID de 0 a 3. Deje el control remoto solo durante 5 segundos para completar el ajuste.

CONTROLES PANELES AUXILIARES / LATERALES

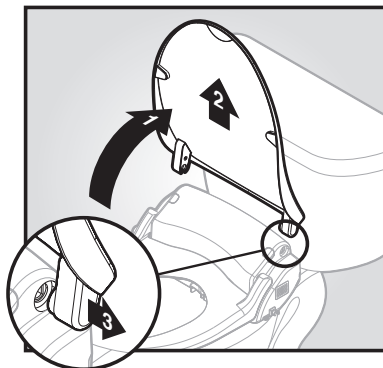
Funcionalidad de copia de seguridad, en caso de que el control remoto no funcione, las pilas se agoten o no se pueden localizar.



CUIDADO Y MANTENIMIENTO

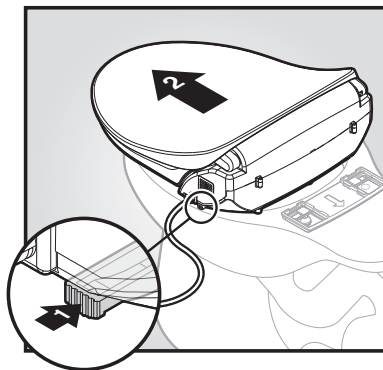
TAPA DE LIBERACIÓN RÁPIDA

- Para **REMOVER** la tapa, levante la tapa a la posición vertical (90°) y levante suavemente hacia arriba en el lado izquierdo de la tapa para exponer las bisagras.
- Empuje la tapa hacia la derecha de la unidad para que el lado derecho de la tapa se deslice fuera de la cubierta posterior del bidé.
- Para **REINSTALAR**, inserte el lado derecho de la tapa en la cubierta posterior del bidé y alinee la bisagra en la posición correcta en la tapa para que la bisagra se deslice hacia dentro.
- Presione hacia abajo y la bisagra hará clic en su lugar.



ASIENTO DE LIBERACIÓN RÁPIDA

- Para **REMOVER** el bidé del soporte del asiento y el inodoro, localice el botón de liberación rápida ubicado en el lado derecho de la unidad mientras se enfrenta al inodoro.
- Mantenga presionado el botón de liberación rápida, deslice el asiento hacia adelante hacia la parte frontal del inodoro y fuera del soporte del asiento.
- Para **REINSTALAR** sobre el soporte del asiento, alinee el bidé con el soporte del asiento y deslícelo hacia atrás en la unidad del soporte del asiento oiga un clic. (Consulte el paso 6 de las instrucciones de instalación.)



DEPÓSITO DE DRENAJE

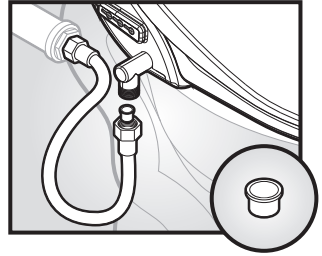
Preparar un período de no uso o almacenamiento de la unidad, drene el agua de la unidad.

- Desconecte el cable de alimentación de la toma de corriente. No toque la toma de corriente con las manos mojadas (riesgo de descarga eléctrica).
- Apague la válvula de suministro de agua.
- Presione el botón en el lado del cuerpo del bidé para liberar el asiento y el tanque de drenaje.
- Mantenimiento sugerido: cada 12 meses o según sea necesario.

CUIDADO Y MANTENIMIENTO (continuación)

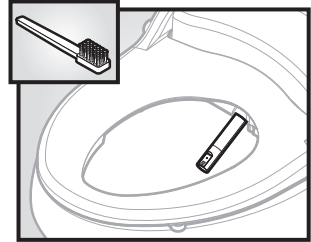
LIMPIEZA DEL FILTRO DE LA LÍNEA DE AGUA

- Cierre la válvula de agua y desconecte la manguera de suministro de agua.
- Retire el filtro de la pantalla y limpie con un cepillo suave.
- Reemplace el filtro de pantalla, vuelva a conectar la manguera y encienda el suministro de agua.
- Mantenimiento sugerido: cada 6 - 12 meses.



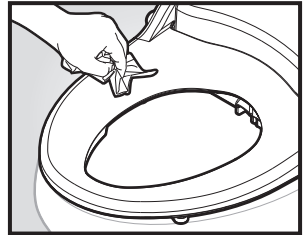
BOQUILLA DE LIMPIEZA

- Pulse LAVADO TRASERO en el panel auxiliar durante más de 3 segundos mientras no esté sentado en la unidad.
- Limpie la boquilla con un cepillo de dientes sin usar.
- Presione ALTO para volver la boquilla a la posición original.
- Si el botón ALTO no está presionado, la boquilla se retraerá automáticamente en 2 minutos.
- La punta de la boquilla de plástico puede ser fácilmente reemplazada.
- Mantenimiento sugerido: cada 6 - 12 meses o según sea necesario.



LIMPIEZA DE CUERPO DE BIDÉ

- Desconecte el cable de alimentación de la toma de corriente. No toque la toma de corriente con las manos mojadas (riesgo de descarga eléctrica).
- Limpie la superficie exterior con un paño húmedo suave (apretado completamente). No rocíe agua directamente sobre la superficie.
- Mantenimiento sugerido: según sea necesario.



SOLUCIÓN DE PROBLEMAS

Si el bidé parece funcionar de forma anormal, revise los consejos de solución de problemas antes de llamar al Servicio al cliente, ya que la mayoría de los problemas se resuelven fácilmente en pocos pasos.

OBSERVE POR FAVOR, EL SENSOR DE LA PIEL EN EL ASIENTO DEBE DETECTAR A UN USUARIO PARA LA FUNCIONALIDAD COMPLETA DEL PRODUCTO.

POR FAVOR REVISALO SIGUIENTE:

- Entienda que las funciones completas del producto (como las funciones de lavado) no funcionarán a menos que el sensor del usuario en el asiento detecte un ocupante.
- El bidé está conectado a la alimentación y el tomacorriente funciona correctamente.
- Pruebe el botón de reinicio en el tomacorriente GFCI.
- El control remoto tiene pilas nuevas y están instaladas correctamente.
- La válvula principal de suministro de agua está abierta.
- El asiento NO está en el modo ECO (ajuste de la temperatura del asiento inferior).
- No hay fugas en las mangueras ni en el suministro de agua.
- El filtro de malla está limpio y libre de acumulación o desechos.

NO DEVUELVA EL PRODUCTO A LA TIENDA

La humedad residual del producto es NORMAL. Cada producto se prueba con agua pura durante la fabricación para garantizar la más alta calidad y rendimiento. Es normal encontrar humedad residual o manchas de agua en o sobre el producto.

CÓMO OBTENER SERVICIO O PIEZAS

Para obtener la dirección y la autorización de devolver para el servicio, comuníquese con el Servicio de atención al cliente de Bemis Manufacturing Company al 1-888-722-6488. La prueba de compra en forma de una copia de su recibo original debe acompañar a la unidad devuelta para que la garantía sea válida.

SOLUCIÓN DE PROBLEMAS (continuación)

PROBLEMA	CAUSAS POSIBLES	SOLUCIÓN
La unidad no funcionará.	1. El enchufe de bidé no está enchufado.	1. Enchufe el cable de alimentación.
	2. Fallo de alimentación.	2. Encendido; Verifique la salida de GFCI.
	3. Hay energía, pero el bidé no funciona.	3. Compruebe las baterías remotas; Reemplazar o reorganizar según sea necesario.
	4. El sensor del cuerpo no está activado.	4. Ajuste la posición de sentado para activar el sensor.
El agua no rocía.	1. El suministro de agua está apagado.	1. Abra el suministro de agua.
	2. La boquilla está sucia.	2. Limpie la boquilla.
	3. Manguera de conexión doblada.	3. Enderezar la manguera de conexión.
Baja presión de agua.	1. El filtro de agua de malla está obstruido.	1. Retire, limpie y vuelva a instalar el filtro.
	2. La presión del agua está demasiado baja.	2. Aumentar la presión del agua.
	3. Interno (opcional) filtro obstruido.	3. Compruebe y cambie el filtro.
	4. Ajustes de presión demasiado bajos.	4. Ajuste los ajustes en el control remoto.
El agua no es lo suficientemente caliente.	1. La temperatura está ajustada en apagado o baja.	1. Cambie al ajuste deseado.
	2. Fusible bimetálico desarmado.	2. Si la temperatura excede los niveles normales, el fusible se restablecerá automáticamente después de que el bidé se enfríe.
Asiento no lo suficientemente caliente.	1. La temperatura está en apagado, bajo o modo eco.	1. Cambie al ajuste deseado.
El lavado intenso no funciona.	1. El modo de lavado suave está ajustado.	1. Cambie el ajuste de lavado suave.
El aire frío sopla de la secadora.	1. El secador de aire caliente está apagado.	1. Cambie la configuración de la secadora en el control remoto.
El agua fluye desde la boquilla antes o después del uso.	1. Auto-limpieza de la boquilla.	1. El agua que sale antes o después del ciclo de lavado es residual / autolimpieza y no un mal funcionamiento.
Fugas de agua de otras áreas distintas de la boquilla.	1. Fuga de agua de la conexión de la manguera de la válvula T o bidé.	1. Asegúrese de que la empaque de goma está correctamente asentada y firmemente fijada. No lo apriete demasiado.
	2. Fuga de agua por filtro de malla.	2. Quite, limpie, inspeccione y vuelva a instalar el filtro de malla.
	3. Fuga de agua por un filtro externo (opcional).	3. Revisar los accesorios; Reemplace el filtro según sea necesario.
El producto se apaga durante el uso.	1. El lavado o el secado excedieron el tiempo de ciclo.	1. Pulse el botón deseado durante el ciclo para prolongar el tiempo.
	2. Fallo de alimentación.	2. Encendido; Verifique la salida de GFCI.
La boquilla no funciona correctamente.	1. La boquilla necesita limpieza.	1. Limpie la boquilla.
	2. Filtro (s) obstruido (s).	2. Revise, limpie y reemplace los filtros según sea necesario.
	3. La presión del agua es demasiado baja.	3. Revise el suministro de agua, las mangueras y los filtros.

ESPECIFICACIONES

UNIDAD		RENEW™ / RENEW PLUS™		
Voltaje estimado		AC 120V, 60Hz		
El consumo máximo de energía		1270W		
Longitud del cable de alimentación		70.8" (1.8m)		
Método de alimentación de agua		Directly Connected to Water Pipe		
Presión de agua recomendada		0.7~7.5kgf/cm2		
Lavar Ciclo de 2 minutos	Volumen de alimentación	Frente	.185 gpm (0.7 L/min)	
		Trasero	.185 gpm (0.7 L/min)	
		Intenso	.185 gpm (0.7 L/min)	
	Control de la presión del agua		Control de 5 niveles	
	Control de temperatura		Temperatura de cuarto ~38°C (100°F)	
	Capacidad del calentador		1200W	
	Dispositivo de seguridad		Fusible de temperatura , interruptor térmico	
Asiento con calefacción	Control de temperatura		Temperatura de cuarto ~42°C (108°F)	
	Capacidad del calentador		55W	
	Dispositivo de seguridad		Fusible de temperatura	
Seco Ciclo de 2 minutos	Control de temperatura		Temperatura de cuarto ~50°C (122°F)	
	Capacidad del calentador		250W	
	Dispositivo de seguridad		Temp. Fusible, Bimetal (prevención de sobrecalentamiento)	
Desodorización		Desodorización catalítica		
Límite de peso recomendado		Asiento: 352 lb (160 kg) / Tapa: 220 lb (100 kg)		
Dimensiones del producto en (cm)	Alargado		15.9" (40.6 cm) x 20.8" (52.8 cm) x 7.5" (19 cm)	
	Redondo		15.9" (40.6 cm) x 19.5" (49.6 cm) x 7.5" (19 cm)	
Peso del producto / Peso bruto lb (kg)	Alargado		10.8 lb (4.9 kg) / 17.4 lb (7.9 kg)	
	Redondo		10.6 lb (4.8 kg) / 17.2 lb (7.8 kg)	

GARANTÍA LIMITADA DE 1 AÑO

Bemis garantiza que todos los productos de baño se ajustarán a las especificaciones mutuamente acordadas y estarán libres de defectos de material, mano de obra y título durante un período de un año, después de la fecha probada de compra de Bemis.

Si el Comprador proporciona una notificación por escrito de un defecto del Producto a Bemis dentro del período de garantía aplicable y el Comprador proporciona documentación o evidencia adecuada que establece un defecto del Producto a satisfacción de Bemis, el único remedio del Comprador es la reparación, reemplazo o reembolso del precio de compra del Producto Menos envío, si procede), a elección de Bemis.

Bemis puede, a su opción, exigir la devolución de cualquier Producto para su inspección y pruebas antes de cumplir con cualquier reclamo por defecto. Los productos devueltos para un reembolso deben estar en el empaquetado original y en condiciones vendibles, y pueden estar sujetos a una tarifa de reposición de existencias. Los colores o modelos descontinuados y los productos personalizados o especialmente ordenados no se pueden devolver para un reembolso.

Esta Garantía Limitada es nula si: (a) el Producto no ha sido instalado, usado o mantenido de acuerdo con cualquier material escrito, incluyendo instrucciones escritas, especificaciones, embalaje y manuales; (B) el Producto no se utiliza para la aplicación prevista, o (c) el Producto ha sido modificado o reparado sin el permiso expreso por escrito de Bemis.

ESTA GARANTÍA LIMITADA SIEMPRE REEMPLAZA TODA OTRA GARANTÍA, EXPRESA O IMPLÍCITA, INCLUIDAS LAS GARANTÍAS IMPLÍCITAS DE COMERCIALIZACIÓN E CONVENIENCIA PARA UN PROPÓSITO PARTICULAR. BEMIS EXPRESAMENTE EXIME DE RESPONSABILIDAD POR DAÑOS ESPECIALES, PUNITIVOS, EJEMPLARES, CONSECUENTES O INCIDENTALES RELACIONADOS CON EL PRODUCTO, INCLUYENDO PÉRDIDA DE BENEFICIOS O INTERRUPCIÓN DE NEGOCIOS. RESPONSABILIDAD DE Bemis es BAJO ESTOS TÉRMINOS Y LAS CONDICIONES NO EXCEDERÁN EL PRECIO DE COMPRA DE LOS PRODUCTOS.

PARA REGISTRAR SU PRODUCTO

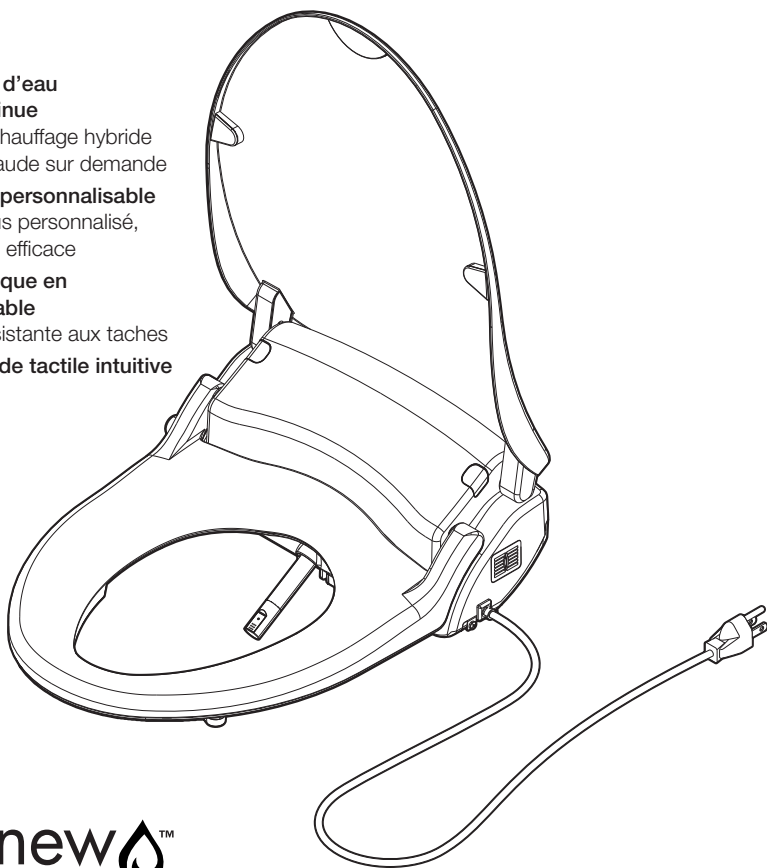
Por favor vaya a www.RenewSeats.com para registrar su asiento.

Mode d'emploi et instructions d'installation du bidet

Español p. 23

Français p. 45

- **Alimentation d'eau chaude continue**
Système de chauffage hybride pour l'eau chaude sur demande
- **Lavage aéré personnalisable**
Nettoyage plus personnalisé, confortable et efficace
- **Buse hygiénique en acier inoxydable**
Durable et résistante aux taches
- **Télécommande tactile intuitive**



RenewTM
PLUS

BEMIS®
7BB1980NL (Allongé)
7BB980NL (Rond)

CHURCH®
7FB1780NL (Allongé)
7FB780NL (Rond)

RenewTM

BEMIS®
7BB1940 (Allongé)
7BB940 (Rond)

CHURCH®
7FB1740 (Allongé)
7FB740 (Rond)

CONSERVER CES INSTRUCTIONS


TABLE DES MATIÈRES

Précautions importantes	46 - 47
Pièces et matériel	48
Avant l'installation	49
Installation	49 - 53
Télécommande	54 - 55
Opération	56 - 59
Entretien & Maintenance	60 - 61
Dépannage	62 - 63
Spécifications	64
Garantie	65
Enregistrement	66

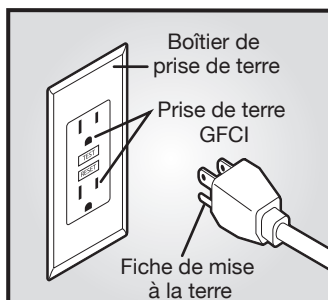
PRÉCAUTIONS IMPORTANTES

INSTRUCTIONS DE MISE À LA TERRE

Ce produit doit être mis à la terre. En cas de court-circuit électrique, la mise à la terre réduit le risque de choc électrique en fournissant un fil d'échappement pour le courant électrique. Ce produit est équipé d'un cordon muni d'un fil de terre avec fiche de mise à la terre. La fiche doit être branchée dans une prise GFCI de 120 V correctement installée et mise à la terre.

 **DANGER** – Une mauvaise utilisation de la fiche de mise à la terre peut entraîner un risque de choc électrique. Si la réparation ou le remplacement du cordon ou de la prise est nécessaire, ne pas raccorder le fil de mise à la terre à une borne à lame plate. Le fil avec isolant ayant une surface extérieure qui est verte avec ou sans rayures jaunes est le fil de mise à la terre.

- Vérifier auprès d'un électricien ou d'un technicien qualifié si les instructions de mise à la terre ne sont pas complètement comprises ou en cas de doute quant à la mise à la terre du produit.
- S'il est nécessaire d'utiliser une rallonge, utiliser uniquement une rallonge à 3 fils munie d'une fiche de mise à la terre à 3 lames et d'une prise à 3 fentes qui accepte la fiche du produit. Remplacer ou réparer un cordon endommagé.



⚠ PRÉCAUTIONS IMPORTANTES ⚠

⚠ AVERTISSEMENT – Si les instructions d’avertissement ne sont pas respectées, des dommages corporels ou matériels peuvent se produire.

⚠ ATTENTION – Si les mesures de précautions ne sont pas respectées, des dommages corporels ou matériels peuvent se produire.

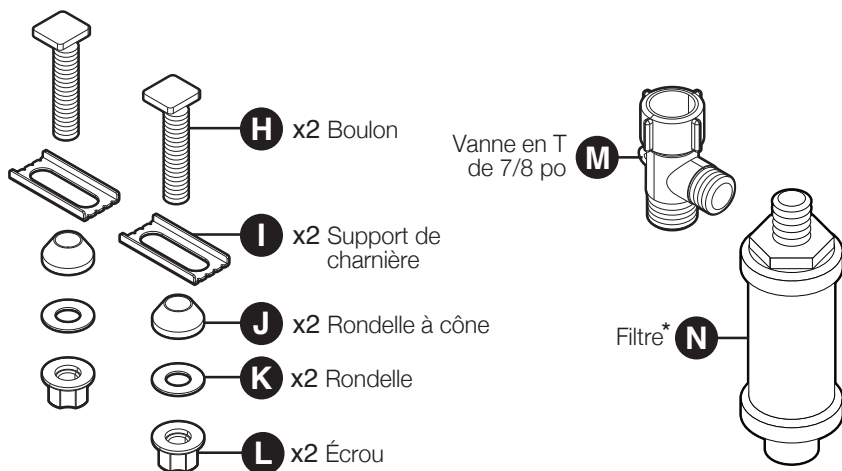
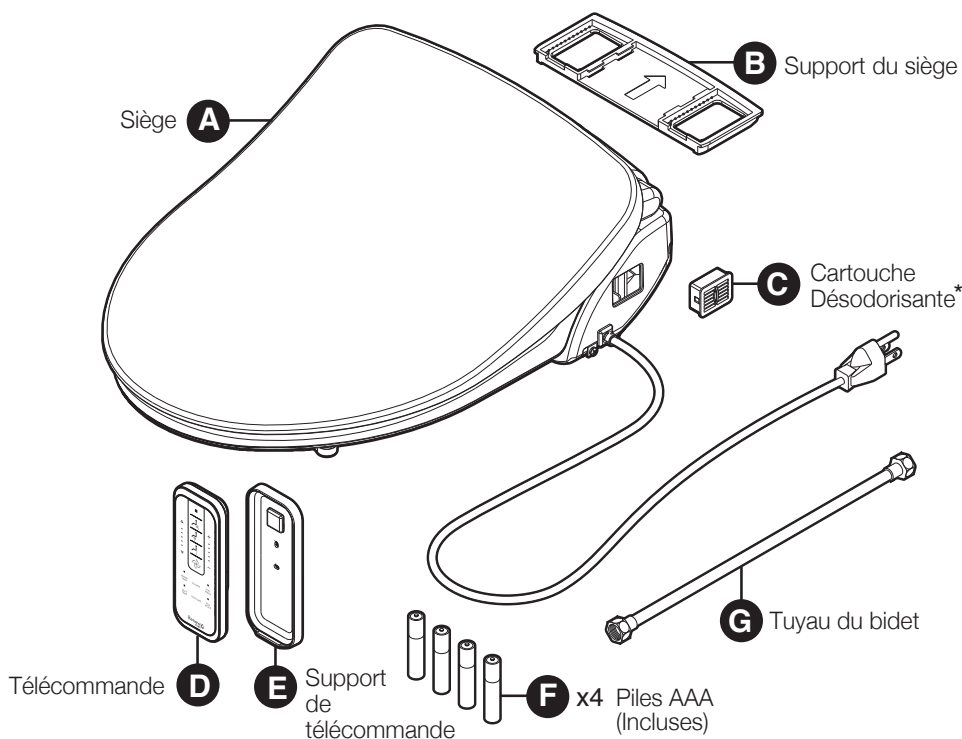
⚠ AVERTISSEMENT – Pour réduire les risques de choc électrique ou d’incendie:

- Ne pas démonter, modifier ou réparer cet appareil.
- Ne pas brancher ou toucher le cordon d’alimentation avec les mains humides.
- Ne pas vaporiser d’eau sur le corps principal du produit ou sur le cordon d’alimentation.
- Ne pas utiliser pas un cordon d’alimentation ou une prise de courant endommagés. Appeler le service client si un cordon de rechange est nécessaire.
- S’assurer que le cordon d’alimentation est correctement inséré dans la prise de courant.
- Éviter les cigarettes ou les matériaux inflammables près du produit.
- Ne pas jeter de cigarettes dans le produit.
- Ne pas raccorder le produit à un tuyau d’eau industriel.
- Ne pas brancher l’appareil tant qu’il n’est pas complètement installé.
- Ne pas bloquer les orifices d’air chaud par le ventilateur avec les mains ou tout objet quelconque. (Renew[™] Plus uniquement.)
- Lorsque vous retirez le produit des toilettes, débrancher toujours le cordon d’alimentation en premier.

⚠ ATTENTION

- Ne pas se tenir debout ni poser d’objets lourds sur le produit.
- Ne pas forcer la fermeture du couvercle des toilettes.
- Ne pas se pencher sur les toilettes.
- Ne pas utiliser de nettoyeurs corrosifs, de détergents, de benzène ou de diluant pour nettoyer le produit.
- Ne pas plier ou forcer le tuyau de raccordement vers l’extérieur.
- Un contact prolongé avec la peau peut provoquer une brûlure à basse température. La température doit être réglée sur BASSE ou ARRÊT lorsqu’elle est utilisée par des enfants, des personnes âgées ou des personnes qui ne peuvent pas contrôler la température.
- Ne pas utiliser si le produit ne fonctionne pas correctement.
- Retirer la fiche d’alimentation et le réservoir de vidange si l’appareil ne doit pas être utilisé pendant une période prolongée. (Voir page 60 pour le réservoir de vidange.)
- Ne pas placer le produit retiré à l’envers.
- Ne pas utiliser de laque pour cheveux ou désodorisant à proximité du produit.
- Pendant l’installation, faire glisser le dossier du bidet jusqu’à ce qu’il “enclique” dans le support du siège.
- Surpasser les limites de poids recommandées (siège: 352 lbs. / couvercle : 220 lbs.) peut casser ou réduire la longévité de votre siège de bidet.

PIÈCES ET MATÉRIEL



* Option Renew Plus™ uniquement.

AVANT L'INSTALLATION

S'assurer que toutes les pièces sont à portée de main avant de procéder à l'installation.

L'humidité résiduelle dans le bidet lors de l'achat garantit que votre produit a été testé à l'usine avec de l'eau pure pour répondre aux plus hauts standards de qualité et de performance.

Articles requis, mais non inclus : Prise GFCI flexible d'alimentation d'eau.

Vérifier la ligne qui relie le réservoir des toilettes à la vanne d'arrêt d'eau. Si c'est un tuyau rigide, il faudra peut-être acheter un tuyau flexible pour le remplacer avant l'installation. La longueur du tuyau et la taille des raccords varient.

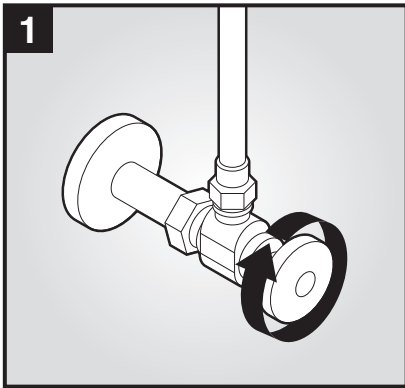
Le serrage à la main est généralement suffisant pour le processus d'installation typique. Cependant, dans certaines situations, un tournevis ou une clé à molette peuvent être nécessaires.

INSTALLATION DU SIÈGE

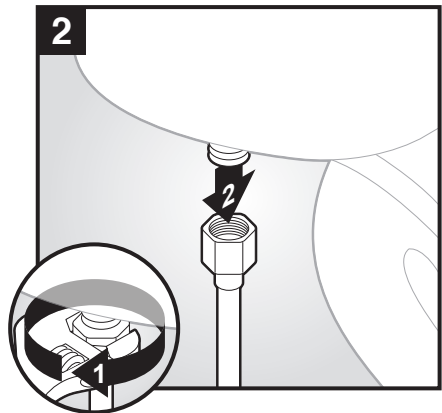
Pour installer sur les toilettes sans accès aux boulons en dessous, veuillez appeler le service à la clientèle de Bemis Manufacturing Company au 1-888-722-6488 pour obtenir un kit de montage supérieur.

INSTALLATION

**Veuillez lire attentivement ces instructions avant l'installation.
Le non-respect de cette consigne pourrait endommager le produit
ou la propriété.**

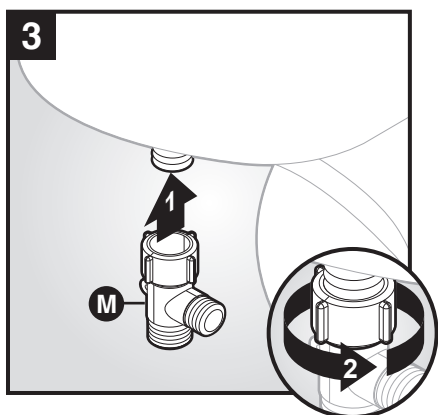


Couper l'alimentation d'eau et vidanger toute l'eau du réservoir en tenant la poignée de chasse d'eau enfoncée pendant 10 secondes ou jusqu'à ce que le réservoir soit vidé.



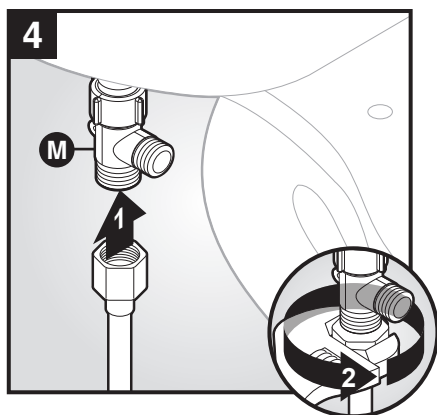
Placer un récipient en dessous pour saisir l'excès d'eau. Retirer la conduite d'alimentation d'eau existante du raccord d'alimentation du réservoir des toilettes.

INSTALLATION (suite)



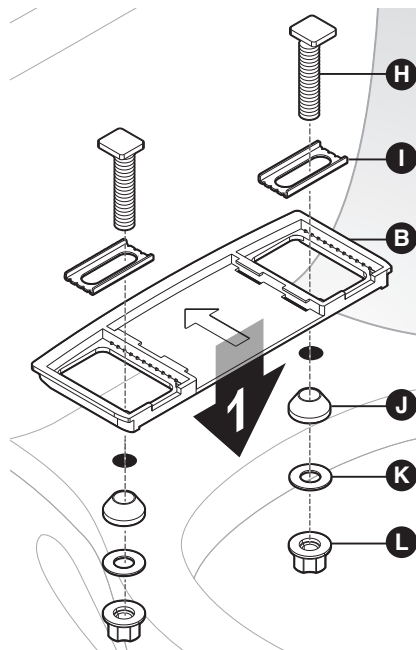
Serrer la vanne en T de 7/8 po (M) au raccord d'alimentation d'eau du RÉSERVOIR. Ne pas tenir la soupape de remplissage dans le réservoir.

IMPORTANT: LA VANNE EN T S'INSTALLE AU BAS DU RÉSERVOIR DES TOILETTES, PAS AU MUR.



Raccorder la conduite d'alimentation d'eau du mur au bas de la vanne en T (M).

Raccorder l'alimentation d'eau froide uniquement. Si votre ligne d'alimentation est rigide, vous devrez peut-être remplacer avec un tuyau flexible.



MATÉRIEL ET SUPPORT DE CHARNIÈRE

Placer le support du siège réglable (B) sur les trous de fixation des toilettes.

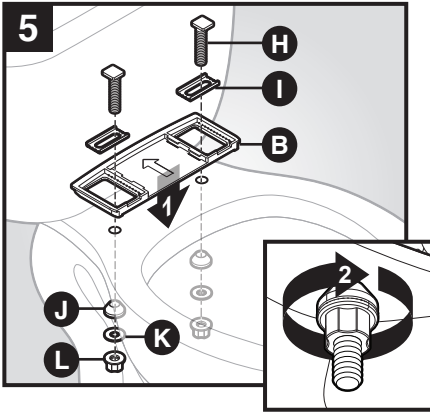
Placer les supports de charnière (I) avec le côté plat vers le bas au centre des ouvertures carrées du support du siège (B).

Insérer les boulons (H) à travers les supports de charnière (I) et les trous de fixation. La tête de boulon carrée doit être uniforme avec les côtés du support de charnière.

Glisser la rondelle à cône en caoutchouc (J), la rondelle (K), puis l'écrou (L) sur les boulons sous la cuvette et serrer légèrement pour maintenir le support du siège en place.

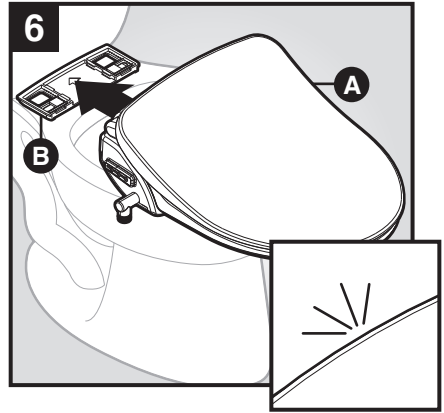
Continuer avec l'étape 6 pour monter le siège.

INSTALLATION (suite)

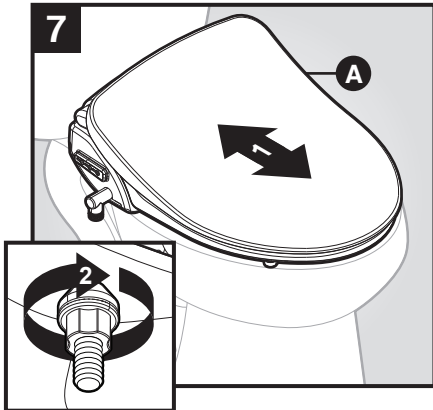


Placer le support du siège réglable (B) sur les trous de fixation des toilettes et installer le matériel. Voir page 50 pour les détails.

NOTE: SERRER LÉGÈREMENT À LA MAIN, MAIS NE PAS SERRER TOTALEMENT.

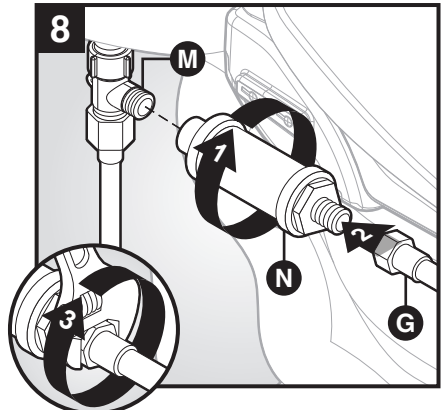


Placer le siège du bidet sur le bol devant le support du siège et remettre le siège (A) en place sur le support de charnière (B) jusqu'à ce qu'il s'enclenche.



Régler le siège (A) en avant ou en arrière pour un alignement correct.

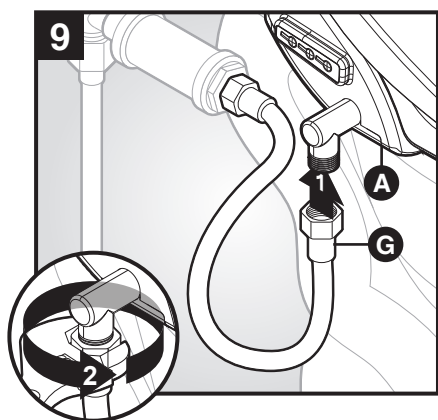
Serrer à fond les écrous par le dessous.



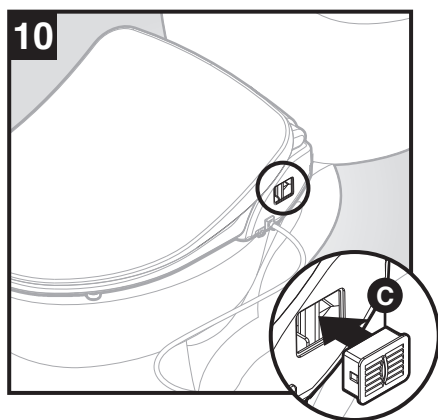
Installer le filtre en option (N) sur la valve en T (M) et le tuyau du bidet (G) sur l'autre extrémité du filtre.

NOTE: Raccorder le tuyau du bidet (G) directement à la valve en T (M) si le filtre n'est pas installé.

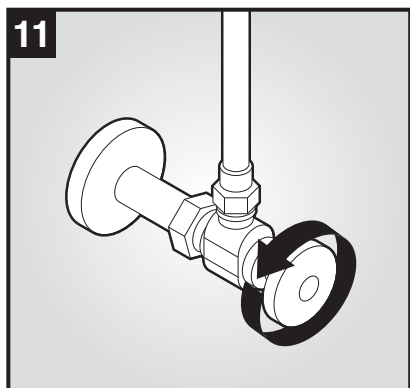
INSTALLATION (suite)



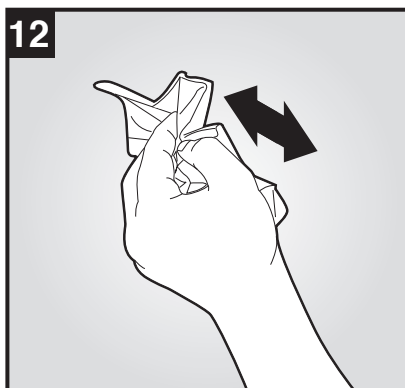
Raccorder l'autre extrémité du tuyau du bidet (G) au raccord du siège (A), en veillant à ce qu'il soit fermement connecté. Ne pas plier brusquement ni tordre le tuyau, ni enlever les filets de vis en plastique.



Installer la cartouche désodorisante (C) dans le siège. (Option Renew Plus™ uniquement; le modèle Renew sera muni d'une cartouche non fonctionnelle insérée.)

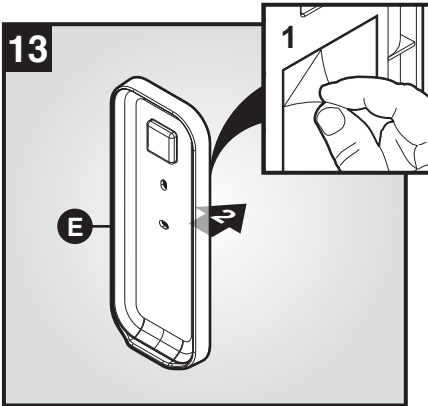


Ouvrir lentement l'alimentation d'eau et vérifier qu'il n'y a pas de fuites. Attendre 5 minutes et vérifier de nouveau s'il y a des fuites sur toutes les connexions.

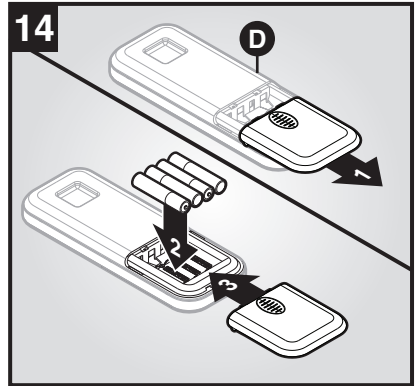


Pour installer la télécommande, commencer par nettoyer et sécher complètement la zone d'installation.

INSTALLATION (suite)

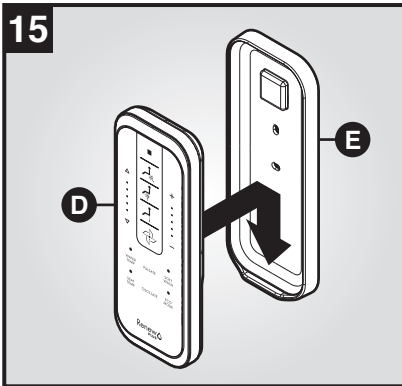


Retirer l'adhésif de l'arrière du support de télécommande (E) et fixer le support de télécommande sur une surface propre et sèche.

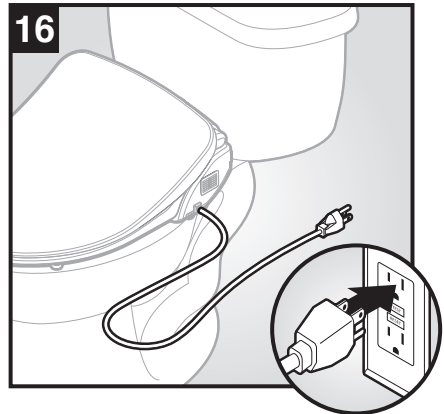


Retirer le couvercle du panneau arrière de la télécommande (D) et installer correctement 4 piles AAA. Replacer le couvercle du panneau arrière.

NOTE: Si tous les 5 voyants clignotent, les piles ont atteint leur fin de vie utile et doivent être remplacées.



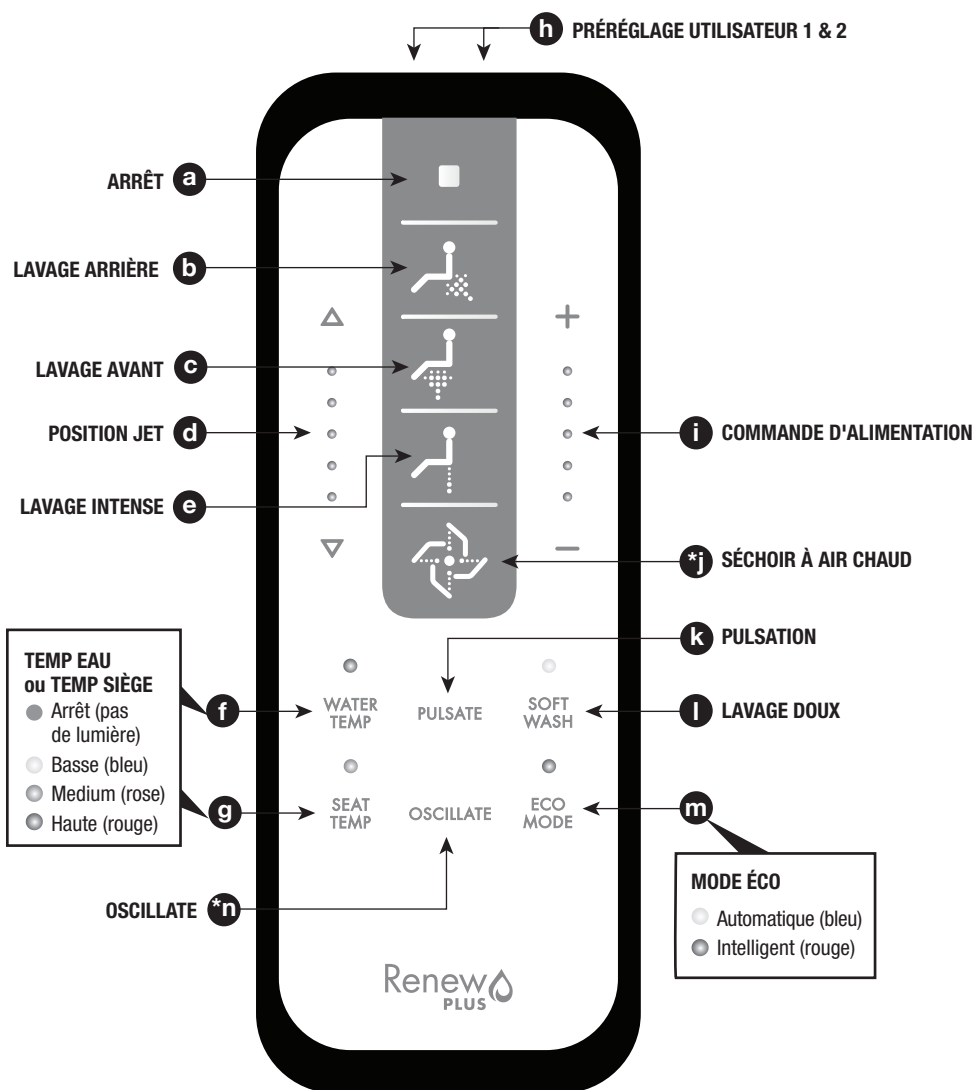
Placer la télécommande (D) dans le support de télécommande magnétique (E).



Brancher le cordon d'alimentation dans la prise GFCI.

NOTE: Une rallonge de 15A robuste peut être utilisée temporairement.

TÉLÉCOMMANDE



*Option RENEW PLUSTM uniquement

NOTE: La télécommande ne fonctionnera pas si les piles sont faibles, mortes ou mal installées. Nécessite 4 piles AAA.

- a ARRÊT** arrête toute fonction
- b LAVAGE ARRIÈRE** active le cycle de nettoyage arrière pendant 2 minutes, suivi du cycle de séchage automatique* (sauf si ARRÊT est poussé)
- c LAVAGE AVANT** active le cycle de nettoyage AVANT pendant 2 minutes, suivi du cycle de séchage automatique* (sauf si ARRÊT est poussé)
- d POSITION JET** déplace le jet vers l'avant et vers l'arrière en 5 positions avec les boutons fléchés
- e LAVAGE INTENSE** active le cycle de nettoyage haute pression à l'arrière pendant 2 minutes (sauf si ARRÊT est poussé)
- f TEMP EAU** contrôle 4 niveaux de température de l'eau (Arrêt / Basse / Medium / Haute)
- g TEMP SIÈGE** contrôle 4 niveaux de température du siège (Arrêt / Basse / Medium / Haute)
- h PRÉRÉGLAGE UTILISATEUR** mémorise 2 réglages prédéfinis par l'utilisateur
- i COMMANDE D'ALIMENTATION** contrôle la température du séchoir à air chaud et la pression de l'eau avec + / -
- *j SÉCHOIR À AIR CHAUD** souffle de l'air chaud pour sécher pendant 3 minutes avec 5 réglages de température (*fonction Renew Plus™ uniquement*)
- k PULSATION** soulève et baisse automatiquement la pression de l'eau pour un lavage pulsant
- l LAVAGE DOUX** baisse la température du siège et la pression d'eau en position de jet vers l'avant (LAVAGE INTENSE désactivé)
- m MODE ÉCO** automatique et Modes ECO intelligents
- *n OSCILLATE** déplace automatiquement le jet vers l'avant et vers l'arrière (*fonction Renew Plus™ uniquement*)

* Option Renew Plus™ uniquement.

OPÉRATION

TECHNOLOGIE BODY SENSE

- Le capteur utilisateur détecte la peau de l'occupant assis sur le siège pour une fonctionnalité complète du produit. (La fonction de désodorisation commence alors automatiquement sur le modèle Renew Plus™.)

LAVAGE AVANT, ARRIÈRE ET INTENSE

- Le système de jet unique pour les fonctions de lavage aéré assure un nettoyage plus confortable et efficace. (Pendant le LAVAGE DOUX, LAVAGE INTENSE ne fonctionnera pas.)



SÉCHOIR À AIR CHAUD*

- Cycle de séchage de 3 minutes avec 5 niveaux de température.



NOTE: Le temps de séchage sera réduit si l'humidité est légèrement essuyée avant d'utiliser la fonction de séchage.

ARRÊT

- Les fonctions sélectionnées s'arrêtent lorsque vous appuyez sur ARRÊT sur le panneau latéral ou à distance. Presser ARRÊT sur le panneau de commande latéral pendant 3 secondes pour mettre l'appareil hors tension.



OSCILLATE*

- Presser sur OSCILLATE pour déplacer le jet vers l'avant et vers l'arrière pendant le lavage AVANT, ARRIÈRE et INTENSE.
- Presser sur les boutons vers l'avant ou vers l'arrière pour étendre ou rétracter la zone de couverture du jet.



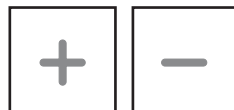
PULSATION

- Presser PULSATE pour soulever ou baisser automatiquement la pression de l'eau pour un lavage pulsant.



PRESSION D'EAU

- Appuyer sur + ou - pour augmenter ou diminuer la pression de l'eau pendant le cycle LAVAGE AVANT ou ARRIÈRE.



NOTE: Si la pression de l'eau est faible, vérifier que le filtre à eau n'est pas obstrué.

* Option Renew Plus™ uniquement.

OPÉRATION (suite)

LAVAGE DOUX

- Appuyer sur SOFT WASH pour une température de siège et une pression d'eau inférieures dans une position avancée du jet. Appuyer sur LAVAGE ARRIÈRE ou LAVAGE AVANT pour déplacer le jet vers l'avant et l'arrière.



NOTE: Lorsque le mode SOFT WASH est activé, la température du siège sera un peu plus bas que d'habitude. La fonction LAVAGE INTENSE ne fonctionnera pas pendant la fonction SOFT WASH (LAVAGE DOUX).

TEMP SIÈGE

- Presser sur SEAT TEMP pour contrôler 4 niveaux de température (Arrêt / Basse / Medium / Haute).



- Arrêt (pas de lumière)
- Basse (bleu)
- Medium (rose)
- Haute (rouge)

TEMP EAU

- Presser sur WATER TEMP pour contrôler 4 niveaux de température (Arrêt / Basse / Medium / Haute).



- Arrêt (pas de lumière)
- Basse (bleu)
- Medium (rose)
- Haute (rouge)

MODE ÉCO

- MODE ÉCO AUTOMATIQUE – Presser ECO MODE jusqu'à ce que la lumière bleue reste allumée. Le siège sera maintenu à 89,6°F (32°C). Si Temp Siège est désactivée, elle reste éteinte.



- Automatique (bleu)
- Intelligent (rouge)

- MODE ÉCO INTELLIGENT – Presser ECO MODE jusqu'à ce que la lumière rouge reste allumée. Le siège sera maintenu à 89,6°F (32°C) lorsqu'il n'est pas occupé et remontera au niveau préréglé en fonction du temps d'utilisation mémorisé. Cela peut prendre 5-7 jours pour que l'unité mémorise le modèle d'usage.

- ÉTEINDRE MODE ÉCO – Appuyer sur ECO MODE jusqu'à ce que le voyant s'éteigne pour libérer les modes d'économie d'énergie.

NOTE: Cette unité adopte la technologie instantanée de chauffage pour le chauffage d'eau et ne consomme pas d'énergie pour le chauffage d'eau quand l'unité est en mode veille.

PROTECTION DES BRÛLURES À BASSE TEMPÉRATURE

- Pour réduire les risques de brûlures à basse température, le siège a un réglage automatique qui passe à une température basse de 89,6°F (32°C) lorsque le siège est occupé pendant plus de 15 minutes consécutivement.

OPÉRATION (suite)

PRÉRÉGLAGE UTILISATEUR

- La position du jet, la pression de l'eau, la température de séchage* / d'eau / du siège peuvent être préréglées et enregistrées pour 2 utilisateurs différents. Les fonctions de lavage et de séchage ne peuvent être réglées que sur l'appareil.

- **PRÉRÉGLAGE 1:** Régler la position, la température de séchage* / d'eau / du siège selon la préférence. Appuyer simultanément sur ARRÊT et POSITION JET EN AVANT pendant 3 secondes. Appuyer sur ARRÊT ou patienter. Le voyant rouge clignote pendant 5 secondes.



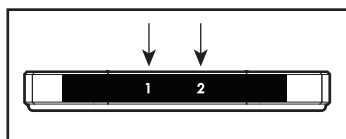
- **PRÉRÉGLAGE 2:** Régler la position, la température de séchage* / d'eau / du siège selon la préférence. Appuyer simultanément sur ARRÊT et POSITION JET EN ARRIÈRE pendant 3 secondes. Appuyer sur ARRÊT ou patienter. Le voyant rouge clignote pendant 5 secondes.



NOTE: Le remplacement des piles ne permet pas de conserver les réglages de télécommande.

CHOISIR PRÉRÉGLAGE UTILISATEUR

- Appuyer sur l'utilisateur prédéfini 1 ou 2 sélectionné pour activer la position prédéfinie du jet, la pression d'eau et les températures.



VEILLEUSE*

- La lumière rouge de la LED fournit assez de luminosité pour voir les toilettes sans allumer la lumière de salle de bains.
- La veilleuse peut être allumée et éteinte en appuyant sur la touche + de la télécommande pendant 3 secondes lorsqu'on n'est pas assis.



DÉSODORIZANT*

- La fonction de désodorisation du carbone actif démarre automatiquement lorsque le siège Renew Plus™ est occupé et se poursuit pendant 1 minute après la libération du siège. La fonction désodorisant automatique peut être activée / désactivée et la vitesse du ventilateur réglée.
- Appuyer sur ARRÊT et ECO MODE pendant 3 secondes. Appuyer sur + ou - pour régler la vitesse du ventilateur du désodorisant de 0 (arrêt) - 3 (haute). Laisser la télécommande seule pendant 5 secondes pour compléter le réglage.

* Option Renew Plus™ uniquement.

OPÉRATION (suite)

POWER OFF / ON

- Appuyer sur ARRÊT pendant 3 secondes pour éteindre. Appuyer sur ARRÊT, LAVAGE AVANT ou ARRIÈRE pour allumer.

RÉINITIALISATION

- Pour réinitialiser les paramètres par défaut, appuyer sur ARRÊT sur le panneau auxiliaire pendant 5 secondes, puis débrancher le cordon pendant 5 secondes. L'appareil sera automatiquement éteint et allumé et initialisé et tous les préréglages seront effacés. Rebrancher lorsque vous n'êtes pas assis sur l'unité.

MUET

- Appuyer sur la touche LAVAGE AVANT pendant 3 secondes sans être assis sur l'appareil pour activer ou désactiver les carillons de la télécommande.

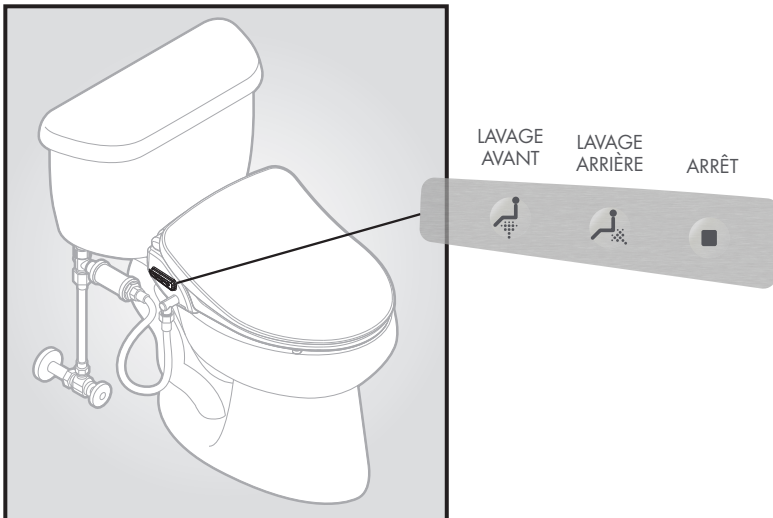
COUPLAGE SIÈGE / TÉLÉCOMMANDE

Les consommateurs n'ont pas besoin de coupler la télécommande avec le bidet à moins qu'il y ait plusieurs bidets à proximité les uns des autres. Après l'appariement, la télécommande ne pourra contrôler que le siège auquel il est couplé.

- Presser sur OSCILLATE pendant 3 secondes, puis appuyer sur + ou - pour définir le ID de 0 à 3. Laisser la télécommande seule pendant 5 secondes pour compléter le réglage.

COMMANDES AUXILIAIRES

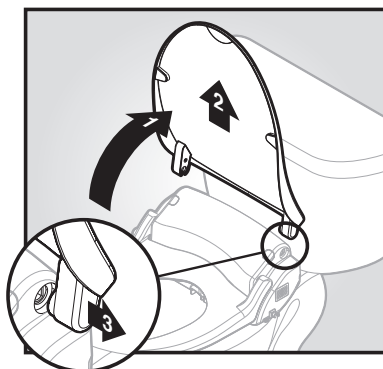
Fonction de sauvegarde, au cas où la télécommande ne fonctionne pas, les piles sont épuisées ou ne peuvent pas être localisées.



ENTRETIEN & MAINTENANCE

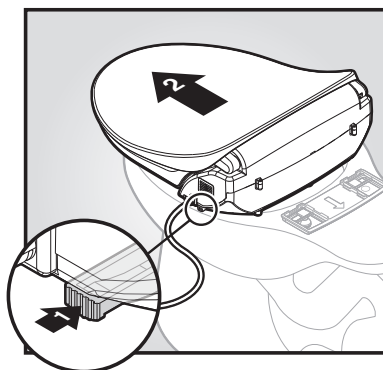
COUVERCLE LIBÉRATION RAPIDE

- Pour RETIRER le couvercle, élever le couvercle en position verticale (90°) et soulever doucement sur le côté gauche du couvercle pour exposer les charnières.
- Pousser le couvercle vers la droite de l'unité de sorte que le côté droit du couvercle coulisse hors du couvercle du bidet arrière.
- Pour RÉINSTALLER, insérer le côté droit du couvercle dans le couvercle du bidet arrière et aligner la charnière dans la bonne position dans le couvercle pour que la charnière y glisse dedans.
- Appuyer vers le bas et la charnière cliquera en place.



SIÈGE LIBÉRATION RAPIDE

- Pour RETIRER le bidet de la plaque du support du siège et des toilettes, placer le bouton de déverrouillage rapide situé sur le côté droit de l'appareil lorsque vous faites face aux toilettes.
- Appuyer et maintenir le bouton de déverrouillage rapide, faire glisser le siège vers l'avant des toilettes et hors du support du siège.
- Pour RÉINSTALLER sur le support du siège, aligner le bidet avec le support du siège et le faire glisser sur l'unité du support du siège, jusqu'à entendre un clic. (Voir l'étape 6 des instructions d'installation.)



VIDANGE DU RÉSERVOIR

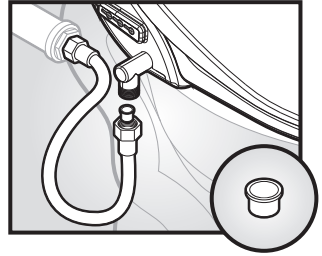
Pour préparer à une période de non utilisation ou de stockage de l'appareil, vidanger l'eau de l'appareil.

- Débrancher le cordon d'alimentation de la prise de courant. Ne pas toucher la prise de courant avec les mains mouillées (risque de choc électrique).
- Fermer la vanne d'alimentation d'eau.
- Appuyer sur le bouton situé sur le côté du corps du bidet pour libérer le siège et le réservoir de vidange.
- Maintenance suggérée: tous les 12 mois ou au besoin.

ENTRETIEN & MAINTENANCE (suite)

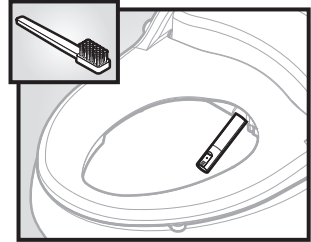
NETTOYAGE DU FILTRE DE CONDUITE D'EAU

- Fermer le robinet et débrancher le tuyau d'alimentation d'eau.
- Retirer le filtre d'écran et le nettoyer à l'aide d'une brosse douce.
- Remplacer le filtre d'écran, rebrancher le tuyau et mettre ouvrir l'alimentation d'eau.
- Maintenance suggérée: tous les 6 - 12 mois.



NETTOYAGE DU JET

- Appuyer sur LAVAGE ARRIÈRE sur le panneau auxiliaire pendant plus de 3 secondes sans être assis sur l'appareil.
- Nettoyer le jet avec une brosse à dents inutilisée.
- Appuyer sur ARRÊT pour ramener le jet à sa position initiale.
- Si le bouton ARRÊT n'est pas pressé, le jet se rétracte automatiquement en 2 minutes.
- L'embout en plastique du jet peut être facilement remplacé.
- Maintenance suggérée: tous les 6 - 12 mois ou au besoin.



NETTOYAGE DU BIDET

- Débrancher le cordon d'alimentation de la prise de courant.
Ne pas toucher la prise de courant avec les mains mouillées (risque de choc électrique).
- Essuyer la surface extérieure avec un chiffon doux humide (essoré complètement). Ne pas vaporiser d'eau directement sur la surface
- Maintenance suggérée: au besoin.



DÉPANNAGE

Si le bidet semble fonctionner de manière anormale, consulter les conseils de dépannage avant d'appeler le service à la clientèle, car la plupart des problèmes sont résolus en quelques étapes.

VEUILLEZ NOTER QUE LE CAPTEUR DE PEAU DANS LE SIÈGE DOIT DÉTECTER UN UTILISATEUR POUR LA FONCTIONNALITÉ TOTALE DU PRODUIT.

VEUILLEZ VÉRIFIER CE QUI SUIT:

- Comprendre que les fonctions complètes du produit (telles que les fonctions de lavage) ne fonctionneront pas à moins que le capteur d'utilisateur sur le siège ne détecte un occupant.
- Le bidet est connecté à l'alimentation et la prise fonctionne correctement.
- Tester le bouton de réinitialisation sur la prise GFCI.
- La télécommande dispose de piles neuves et est installée correctement.
- La vanne d'alimentation d'eau principale est ouverte.
- Le siège n'est PAS en mode ÉCO (réglage de la température du siège inférieur).
- Il n'y a aucune fuite dans les tuyaux ou de l'alimentation d'eau.
- Le filtre à mailles est propre et exempt d'accumulation ou de débris

NE PAS RETOURNER LE PRODUIT AU MAGASIN

L'humidité résiduelle sur le produit est NORMALE. Chaque produit est testé avec de l'eau pure pendant la fabrication pour assurer la plus haute qualité et la performance. Il est normal de trouver de l'humidité résiduelle ou des gouttes d'eau dans ou sur le produit.

COMMENT OBTENIR UN SERVICE OU DES PIÈCES

Pour obtenir l'adresse et l'autorisation de retour pour le service, veuillez contacter le Service à la clientèle de Bemis Manufacturing Company au 1-888-722-6488. Une preuve d'achat sous la forme d'une copie de votre reçu original doit accompagner l'unité retournée pour que la garantie soit valide.

DÉPANNAGE (suite)

PROBLÈME	CAUSES PROBABLES	SOLUTION
L'unité ne fonctionne pas.	1. La prise du bidet plug n'est pas branchée.	1. Brancher le cordon d'alimentation.
	2. Défaillance d'alimentation.	2. Allumer; vérifier la prise GFCI.
	3. Il y a du courant, mais le bidet ne fonctionne pas.	3. Vérifier les piles de la télécommande; remplacer ou réarranger au besoin.
	4. Capteur corporel n'est pas activé.	4. Ajuster la position assise pour activer le capteur.
L'eau ne vaporise pas.	1. L'alimentation d'eau est coupée.	1. Ouvrir l'alimentation d'eau.
	2. Le jet est sale.	2. Nettoyer le jet.
	3. Le raccord est plié.	3. Redresser le raccord.
Basse pression d'eau.	1. La maille du filtre à eau est bouchée.	1. Retirer, nettoyer et réinstaller le filtre.
	2. La pression d'eau est trop basse.	2. Augmenter la pression d'eau.
	3. Le filtre interne (optionnel) est bouché.	3. Vérifier et remplacer le filtre.
	4. Réglages de pression trop bas.	4. Ajuster les réglages sur la télécommande.
Eau pas suffisamment chaude.	1. La température est désactivée ou faible.	1. Modifier au réglage désiré.
	2. Fusible bimétallique réarmable déclenché.	2. Si la température dépasse les niveaux normaux, le fusible se réinitialise automatiquement après le refroidissement du bidet.
Siège pas suffisamment chaud.	1. La température est désactivée, faible ou en mode éco.	1. Modifier au réglage désiré.
Lavage intense ne fonctionne pas.	1. Lavage doux est programmé.	1. Modifier le réglage du lavage doux.
L'air froid souffle du séchoir.	1. Séchoir d'air chaud désactivé.	1. Modifier le réglage du séchoir sur la télécommande.
L'eau s'écoule du jet avant ou après utilisation.	1. Autonettoyage du jet.	1. L'eau qui sort avant ou après le cycle de lavage est un nettoyage résiduel / autonettoyant et non un dysfonctionnement.
Fuites d'eau provenant d'autres zones autres que du jet.	1. Fuite d'eau du raccord de valve en T ou du bidet.	1. S'assurer que le joint d'étanchéité en caoutchouc est correctement posé et bien fixé. Ne pas trop serrer.
	2. Fuite d'eau à travers le filtre à mailles.	2. Retirer, nettoyer, inspecter et réinstaller le filtre à mailles.
	3. Fuite d'eau à travers le filtre externe (optionnel).	3. Vérifier les raccords; remplacer le filtre au besoin.
Le produit s'éteint pendant l'utilisation.	1. Le lavage ou le séchage ont dépassé le temps de cycle.	1. Appuyer sur le bouton désiré pendant le cycle pour prolonger le temps.
	2. Défaillance d'alimentation.	2. Allumer; vérifier la prise GFCI.
Le jet ne fonctionne pas correctement.	1. Le jet nécessite un nettoyage.	1. Nettoyer le jet.
	2. Filtre(s) bouché(s).	2. Vérifier, nettoyer, et remplacer les filtres au besoin.
	3. La pression d'eau est trop basse.	3. Vérifier l'alimentation d'eau, les tuyaux et les filtres.

SPÉCIFICATIONS

ARTICLE		RENEW™ / RENEW PLUS™		
Tension Nominale		AC 120V, 60Hz		
Consommation d'Énergie Max.		1270W		
Longueur Cordon d'Alimentation		70,8 po (1,8m)		
Méthode d'alimentation d'eau		Directement connecté à la conduite d'eau		
Pression d'eau recommandée		0.7~7.5kgf/cm2		
Lavage Cycle 2 minutes	Volume d'alimentation	Avant	0,185 gpm (0,7 L/min)	
		Arrière	0,185 gpm (0,7 L/min)	
		Intense	0,185 gpm (0,7 L/min)	
	Contrôle de pression d'eau		Contrôle 5 niveaux	
	Temp. Contrôle		Temp. ambiante ~38°C (100°F)	
	Capa. Chauffage		1200W	
	Dispositif de Sécurité		Temp. Fusible, Commutateur Thermo	
Siège Chauffé	Temp. Contrôle		Temp. ambiante ~42°C (108°F)	
	Capa. Chauffage		55W	
	Dispositif de Sécurité		Temp. Fusible	
Sec Cycle 2 minutes	Temp. Contrôle		Room Temp. ~50°C (122°F)	
	Capa. Chauffage		250W	
	Dispositif de Sécurité		Temp. Fusible, Bi-métal (prévention contre la surchauffe)	
Désodorisation		Désodorisation Catalytique		
Limite de poids recommandée		Siège : 352 lb (160 kg) / Couverture : 220 lb (100 kg)		
Dimensions du produit en (cm)	Allongé		15,9 po (40,6 cm) x 20,8 po (52,8 cm) x 7,5 po (19 cm)	
	Rond		15,9 po (40,6 cm) x 19,5 po (49,6 cm) x 7,5 po (19 cm)	
Poids du produit / Poids brut lb (kg)	Allongé		10,8 lb (4,9 kg) / 17,4 lb (7,9 kg)	
	Rond		4,81 kg (4,8 kg) / 7,80 kg (7,8 kg)	

GARANTIE LIMITÉE 1 AN

Bemis garantit que tous les produits de salle de bains seront conformes à toutes les spécifications convenues d'un commun accord et seront exempts de défauts de matériaux, de fabrication et de propriété pour une période d'un an suivant la date d'achat éprouvée chez Bemis.

Si l'Acheteur fournit un avis écrit d'un défaut de produit à Bemis dans la période de garantie applicable et que l'Acheteur fournit la documentation ou la preuve adéquate établissant un défaut du Produit à la satisfaction de Bemis, la seule solution pour l'Acheteur est la réparation, le remplacement ou le remboursement du prix d'achat du Produit Moins d'expédition, le cas échéant), à l'initiative de Bemis.

Bemis peut, à sa discrétion, exiger le retour de tout Produit pour inspection et essai avant d'honorer toute réclamation de défaut. Les produits retournés pour un remboursement doivent être dans l'emballage d'origine et vendables, et peuvent être soumis à des frais de stockage. Les couleurs ou modèles de fin de série et les produits personnalisés ou spécialement commandés ne peuvent pas être retournés pour un remboursement.

Cette garantie limitée est nulle si : (A) le produit n'a pas été installé, utilisé ou entretenu conformément aux documents écrits applicables, y compris les instructions écrites, les spécifications, l'emballage et les manuels; (B) le Produit n'est pas utilisé pour l'application prévue, ou (c) le Produit a été modifié ou réparé sans la permission écrite expresse de Bemis.

CETTE GARANTIE LIMITÉE EST FOURNIE EN LIEU DE TOUTES AUTRES GARANTIES, EXPRESSES OU IMPLICITES, Y COMPRIS LES GARANTIES IMPLICITES DE QUALITÉ MARCHANDE ET D'ADAPTATION À UN USAGE PARTICULIER. BEMIS EXCLUT EXPRESSÉMENT LA RESPONSABILITÉ POUR LES DOMMAGES SPÉCIAUX, PUNITIFS, EXEMPLAIRES, CONSÉCUTIFS OU ACCESSOIRES ASSOCIÉS AU PRODUIT, Y COMPRIS LA PERTE DE PROFITS OU D'INTERRUPTIONS COMMERCIALES. RESPONSABILITÉ DE BEMIS EN VERTU DES PRÉSENTES CONDITIONS ET CONDITIONS NE DOIVENT PAS EXCÉDER LE PRIX D'ACHAT DE DES PRODUITS.

POUR ENREGISTRER VOTRE PRODUIT

Veillez consulter www.RenewSeats.com pour enregistrer votre siège.



300 Mill Street | PO Box 901
Sheboygan Falls, WI 53085
PH: 1-888-722-6488

www.RenewSeats.com