

Features

- Integral lumbar support.
- 16" soaking depth.
- Wide ledge on one side is ideal for deck-mount faucet and/or handshower.
- Textured bottom surface.
- Center drain.
- 60" (1524 mm) x 34" (864 mm) x 24-1/2" (622 mm)

Material

- Acrylic

Installation

- Freestanding
- PureFlo drains are not recommended for a deck-mount faucet installation

Recommended Accessories

- K-7265 Clearflo Bath Drain
- K-37383 30" Rough-in Cable Bath Drain
- K-37386 30" Rough-in Cable Bath Drain
- K-24916 Wireless Music Kit
- K-T37391 Bath Cable Drain Trim
- K-T37392 Bath Cable Drain Trim
- K-T37393 Bath Cable Drain Trim
- K-T37394 Bath Cable Drain Trim
- K-T37395 Bath Cable Drain Trim
- K-T37396 Bath Cable Drain Trim
- K-T37397 Cable Bath Drain Trim



Codes/Standards

CSA B45.5/IAPMO Z124
ASTM E162
ASTM E662



KOHLER® One-Year Limited Warranty

See website for detailed warranty information.

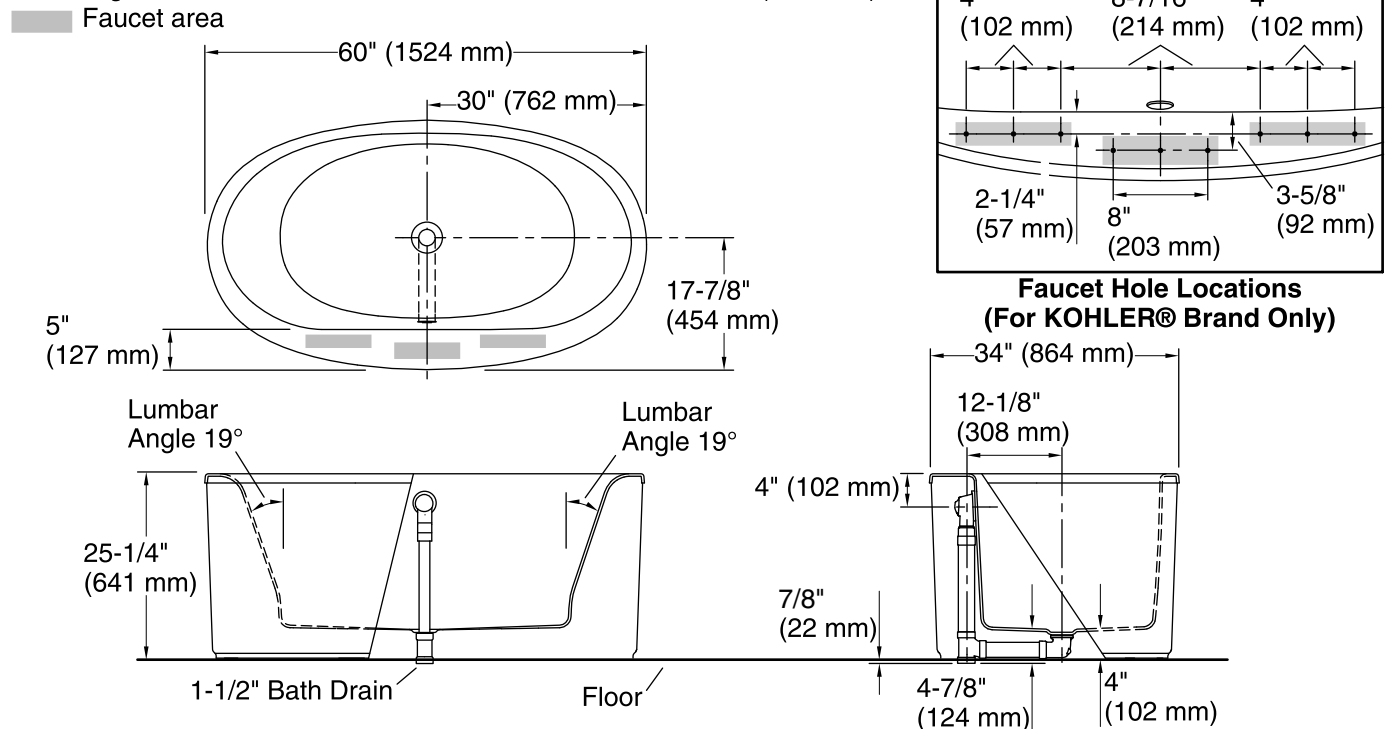
Available Color/Finishes

Color tiles intended for reference only.

Color	Code	Description
-------	------	-------------

	0	White
	96	Biscuit

No change in measurements if connected with drain illustrated. (K-37385)



Technical Information

All product dimensions are nominal.

Installation:	Freestanding
Drain location:	Center
Basin area, bottom:	39-5/8" x 23-5/8" (1006 mm x 599 mm)
Basin area, top:	49-9/16" x 25-1/2" (1259 mm x 648 mm)
Weight:	170 lbs (77.1 kg)
Minimum floor load:	49.8 lbs/ft ² (243.1 kg/m ²)
Water depth:	16" (406 mm)
Water capacity:	60 gal (227.1 L)

Notes

Measure your actual product for rough-in details.

Install this product according to the installation instructions.

The hot water supply should be 70% of the capacity of the bath or greater. Installations will vary.