

ES300 ST, ES300 XP, ES400 XLP



PARTS LIST

Models: 56265502(ES300 ST), 56265500(ES300 XP),
56265501(ES400 XLP)



Advance

TABLE OF CONTENTS

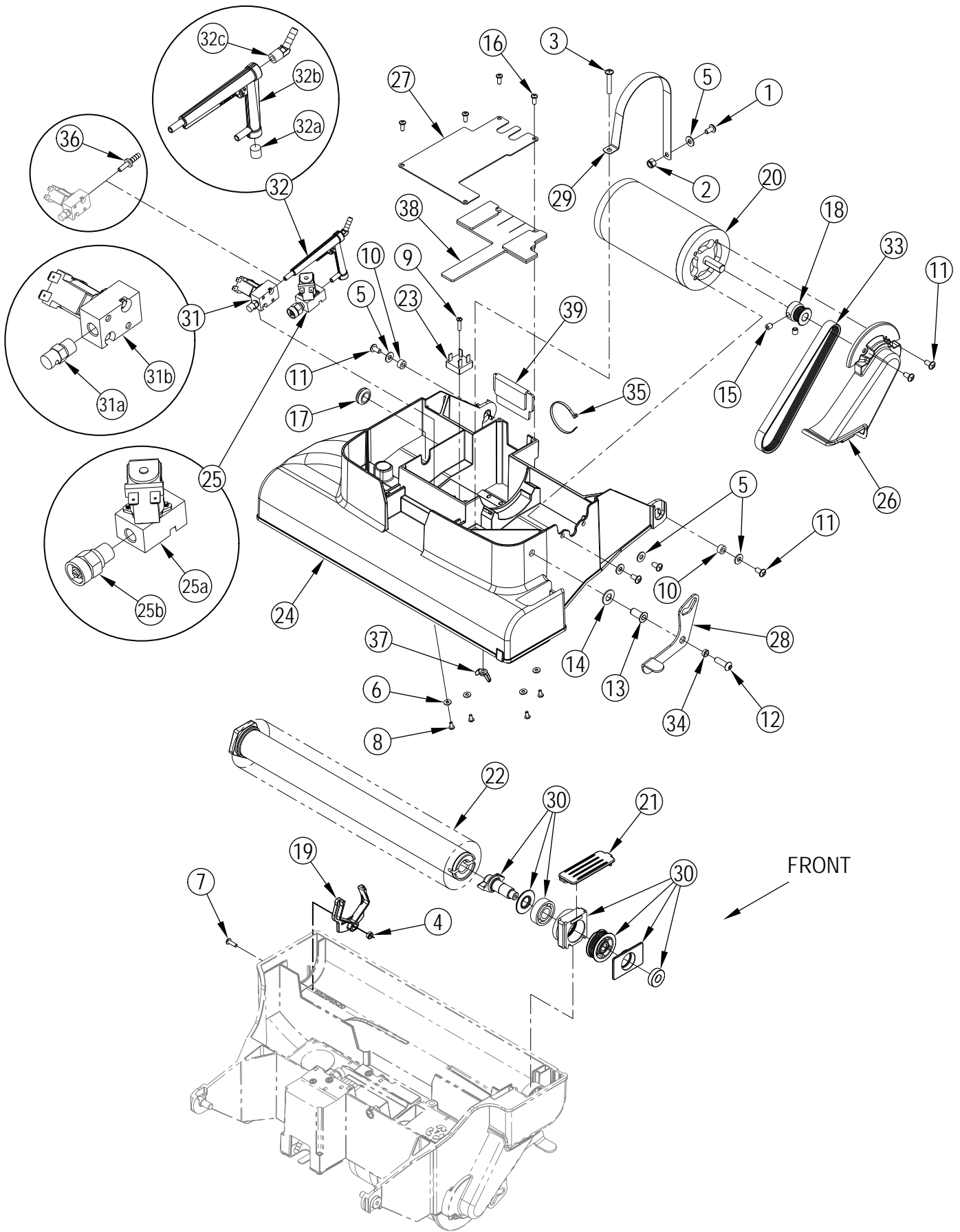
| DESCRIPTION | PAGE |
|-----------------------------------|-------|
| Base System | 2-3 |
| Decal System | 4-5 |
| Handle System 16ST | 6-7 |
| Handle System 16XP | 8-9 |
| Handle System 18XLP | 10-11 |
| Recovery System | 12-13 |
| Solution System 16ST-16XP-1 | 14-15 |
| Solution System 16ST-16XP-2 | 16-17 |
| Solution System 18XLP-1 | 18-19 |
| Solution System 18XLP-2 | 20-21 |
| Ladder Diagrams | 22-25 |
| Options & Accessories | 26 |
| Brush Selector Guide | 27 |

WHEN ORDERING PARTS

- * Use the part numbers from the "Ref. No." columns in this parts list.
- * Specify the model and serial number of the machine.
- * Use the space below to record the model and serial number for future reference.

Model _____ Serial No. _____

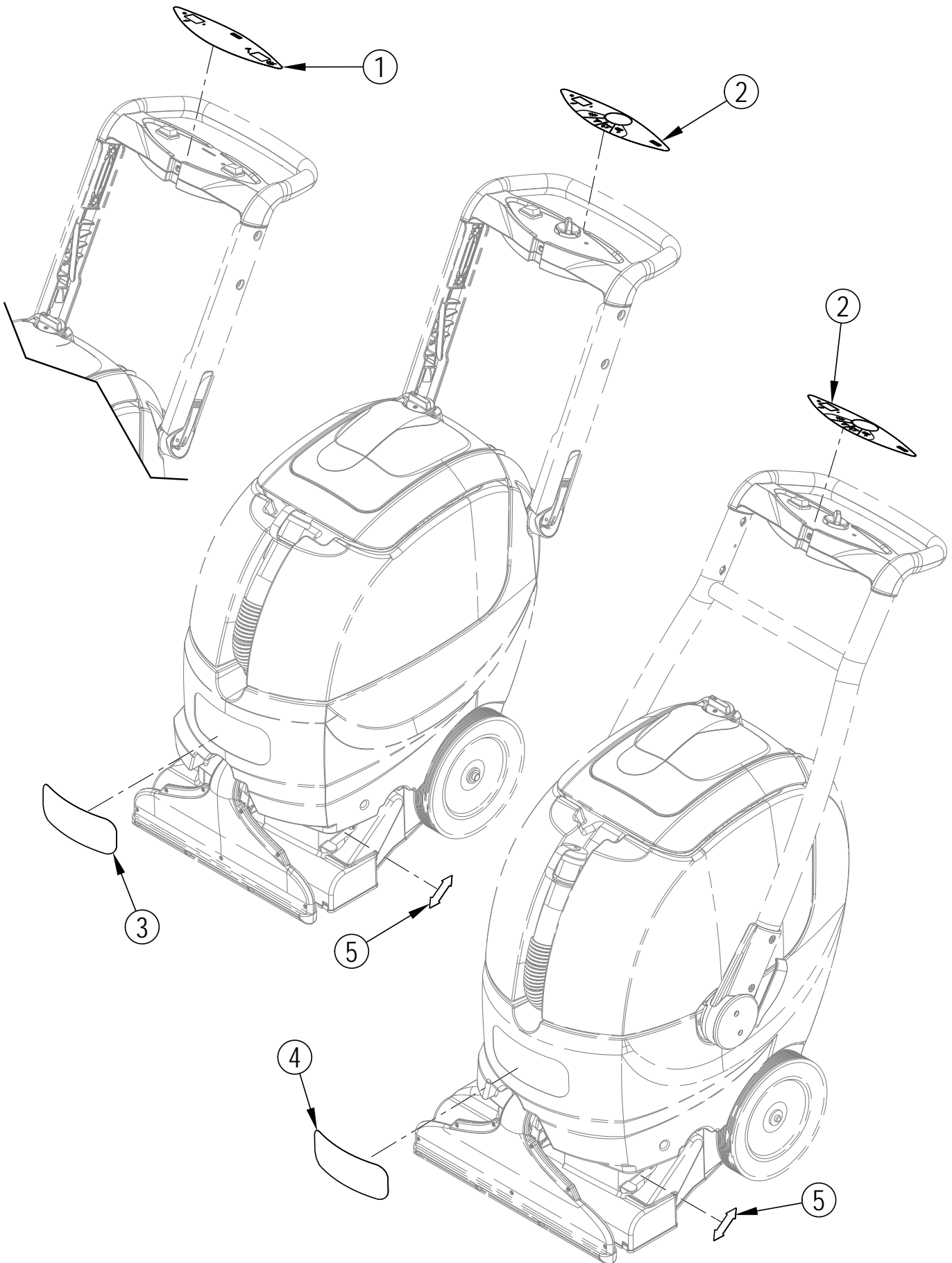
BASE SYSTEM



BASE SYSTEM

| Item | Ref. No. | Qty | Description |
|------|----------|-----|--|
| 1 | 56002145 | 1 | Scr-Pan Phil 1/4-20 X .50 |
| 2 | 56002491 | 1 | Nut-Hex Nyl Loc Ss 1/4-20 |
| 3 | 56002905 | 1 | Scr-Pan Phil Ss 1/4-20 X 1.50 |
| 4 | 56002849 | 1 | Nut, Hex Nyl Loc-Thin Ss 10-24 |
| 5 | 56002859 | 5 | Wsh-Flt Sae Ss 1/4 |
| 6 | 56002875 | 4 | Wsh-Flt Sae Ss #8 (qty of 2 on 16ST) |
| 7 | 56002896 | 1 | Scr-Pan Phil Ss 10-24 X .62 |
| 8 | 56003018 | 4 | Scr-Pan Phil Ss 8-32 X .38 (qty of 2 on 16ST) |
| 9 | 56003545 | 1 | Scr, Pan Phil Plastite 8-10 X .75 |
| 10 | 56265782 | 2 | Bushing-.26x.50x .25 Long |
| 11 | 56003897 | 6 | Scr-Pan Phil Loc Ss 1/4-20 X .50 |
| 12 | 56003963 | 1 | Scr-Botton Soc Ss 5/16-18x1.00 |
| 13 | 56003985 | 1 | Rivet-Nut 5/16-18 Steel Zinc P |
| 14 | 56009037 | 1 | Wsh, Int Shprf 7/16 |
| 15 | 56009131 | 2 | Scr, Soc Set Loc 5/16-18 X .31 |
| 16 | 56009191 | 4 | Scr, Pan Phil Plastite 10-14 X .50 |
| 17 | 56157376 | 1 | Grommet |
| 18 | 56262558 | 1 | Sheave.Poly-V |
| 19 | 56265043 | 1 | Clip, Brush Retainer |
| 20 | 56265075 | 1 | Motor, 115 Vdc, 1/3 Hp M3 (16ST, 16XP, 18XLP) |
| 21 | 56265091 | 1 | Cover, Pulley |
| 22 | 56265044 | 1 | Brush Assembly 16 |
| | 56265046 | 1 | Brush, 16 |
| | 56265099 | 1 | Brush Assembly 18 |
| | 56265065 | 1 | Brush, 18 |
| 23 | 56265103 | 1 | Rectifier, .35 Amp D1 |
| 24 | 56265620 | 1 | Base Extractor 16 (16ST, 16XP) |
| | 56265520 | 1 | Base-Extractor 18 (18XLP) |
| 25 | 56265570 | 1 | Valve/Nozzle Assy-120v-Maint L2 (16XP, 18XLP only) |
| 25a | 56265560 | 1 | Valve-Solenoid-120v |
| 25b | 56265677 | 1 | Nozzle-Quick Veejet W/ Body |
| 26 | 56265629 | 1 | Cover-Belt |
| 27 | 56265657 | 1 | Cover-Electrical |
| 28 | 56265663 | 1 | Lever-Brush Storage |
| 29 | 56265676 | 1 | Strap-Motor |
| 30 | 56265690 | 1 | Bearing-Spindle Kit |
| | | 1 | Bearing, Ball |
| | | 1 | Washer.Bearing |
| | | 1 | Bearing,Block |
| | | 1 | Spindle,Drive |
| | | 1 | Bearing Block-Drive |
| | | 1 | Sheave-Poly-V-6j17 |
| | | 1 | Ring Ball .6693 Cv25d 1 |
| 31 | 56265746 | 1 | Valve/Nozzle Assy-120v-Restore L1 |
| 31a | 56265052 | 1 | Nozzle Spray |
| 31b | 56265561 | 1 | Valve-Solenoid-230v |
| 32 | 56265762 | 1 | Manifold Assembly (16XP, 18XLP only) |
| 32a | 56106046 | 1 | Plug Pipe 1/8 Brass E00040 |
| 32b | 56265521 | 1 | Manifold-Nozzle |
| 32c | 56265765 | 1 | Elbow-45deg-1/4 Barbx1/8npt |
| 33 | 56315321 | 1 | Belt, Auto Tension |
| 34 | 56381818 | 1 | Bushing .32x.44x.15 |
| 35 | 56478246 | 1 | Tie, Cable |
| 36 | 56265692 | 1 | Adapter-.25 Stem-.25 Barb (16ST only) |
| 37 | 56009111 | 1 | Nut, Wing Ss 1/4-20 |
| 38 | 56265790 | 1 | Gasket-Base-Elec Compartment |
| 39 | 56265788 | 1 | Gasket-Base-Rear |

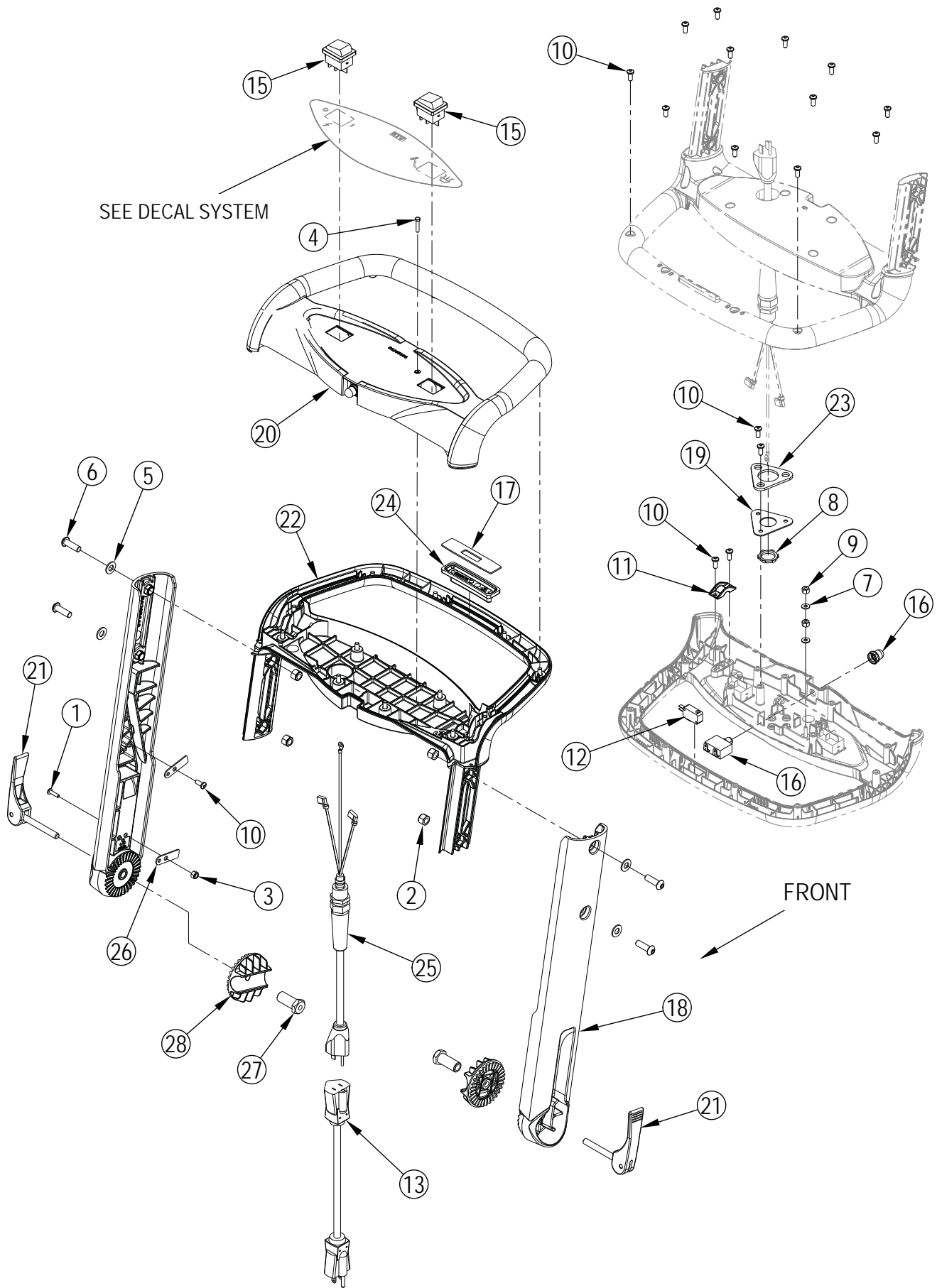
DECAL SYSTEM



DECAL SYSTEM

| Item | Ref. No. | Qty | Description |
|------|----------|-----|--|
| 1 | 56265727 | 1 | Decal-Panel (ES300 ST) |
| 2 | 56265567 | 1 | Decal-Panel (ES300 XP, ES400 XLP) |
| 3 | 56265695 | 1 | Decal-ES300ST |
| | 56265695 | 1 | Decal-ES300XP |
| 4 | 56265696 | 1 | Decal-ES400XLP |
| 5 | 56265750 | 1 | Decal-Storage Lock (ES300 ST, ES300 XP, ES400 XLP) |

HANDLE SYSTEM 16ST

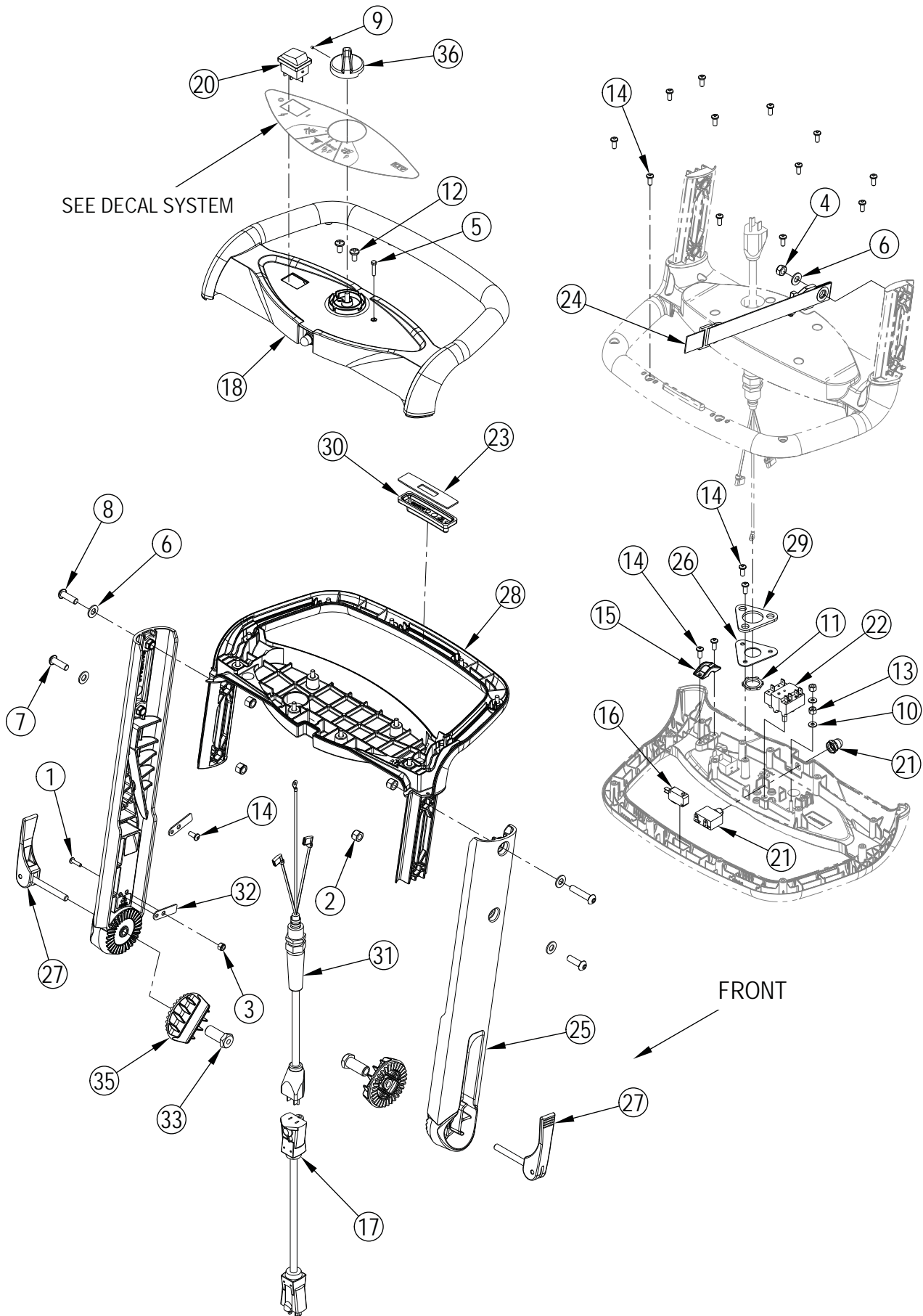


HANDLE SYSTEM 16ST

| Item | Ref. No. | Qty | Description |
|------|------------|-----|--------------------------------------|
| 1 | 56002146 | 1 | Scr-Pan Phil 8-32 X .62 |
| 2 | 56002701 | 4 | Nut, Hex Nyl Loc 5/16-18 |
| 3 | 56002808 | 1 | Nut, Hex Nyl Loc 8-32 |
| 4 | 56002874 | 1 | Scr- Hex Ss 8-32 X .75 |
| 5 | 56002938 | 4 | Wsh-Flt Sae Ss 5/16 |
| 6 | 56003963 | 4 | Scr-Botton Soc Ss 5/16-18x1.00 |
| 7 | 56009010 | 2 | Wsh, Int Shprt #8 |
| 8 | 56009095 | 1 | Nut, Conduit Lock 1/2-14 |
| 9 | 56009148 | 2 | Nut-Hex Machine 8-32 |
| 10 | 56009191 | 17 | Scr, Pan Phil Plastite 10-14 X .50 |
| 11 | 56264119 | 1 | Clamp, Power Cord |
| 12 | 56265098 | 1 | Switch, Spdt Snapaction S4 |
| 13 | 56265112 | 1 | Cord Set-14/3x50' Yel |
| [14] | 56265547 | 1 | Harness-Main |
| 15 | 56265549 | 2 | Switch-Rocker-Dpst S1 |
| 16 | 56265550 | 1 | Circuit Breaker-W/Boot-5a CB1 |
| 17 | 56265564 | 1 | Plate-Switch Retainer |
| 18 | 56265648 | 2 | Handle Tube-Ratchet |
| 19 | 56265659 | 1 | Plate-Cord Mounting |
| 20 | 56265666 | 1 | Handle-Top Cover-St |
| 21 | 56265682 | 2 | Lever-Locking Assembly |
| 22 | 56265693 | 1 | Handle-Bottom Cover-St |
| 23 | 56265698 | 1 | Gasket-Cord Mount |
| 24 | 56265715 | 1 | Button-Handle |
| 25 | 56265718 | 1 | Cord-Pigtail |
| 26 | 56265748 | 2 | Retainer-Harness |
| 27 | 56265752 | 2 | Bushing-Cam Adjustment |
| 28 | 9097228000 | 2 | Ratchet Handle Adjuster |

[] = Not Shown

HANDLE SYSTEM 16XP



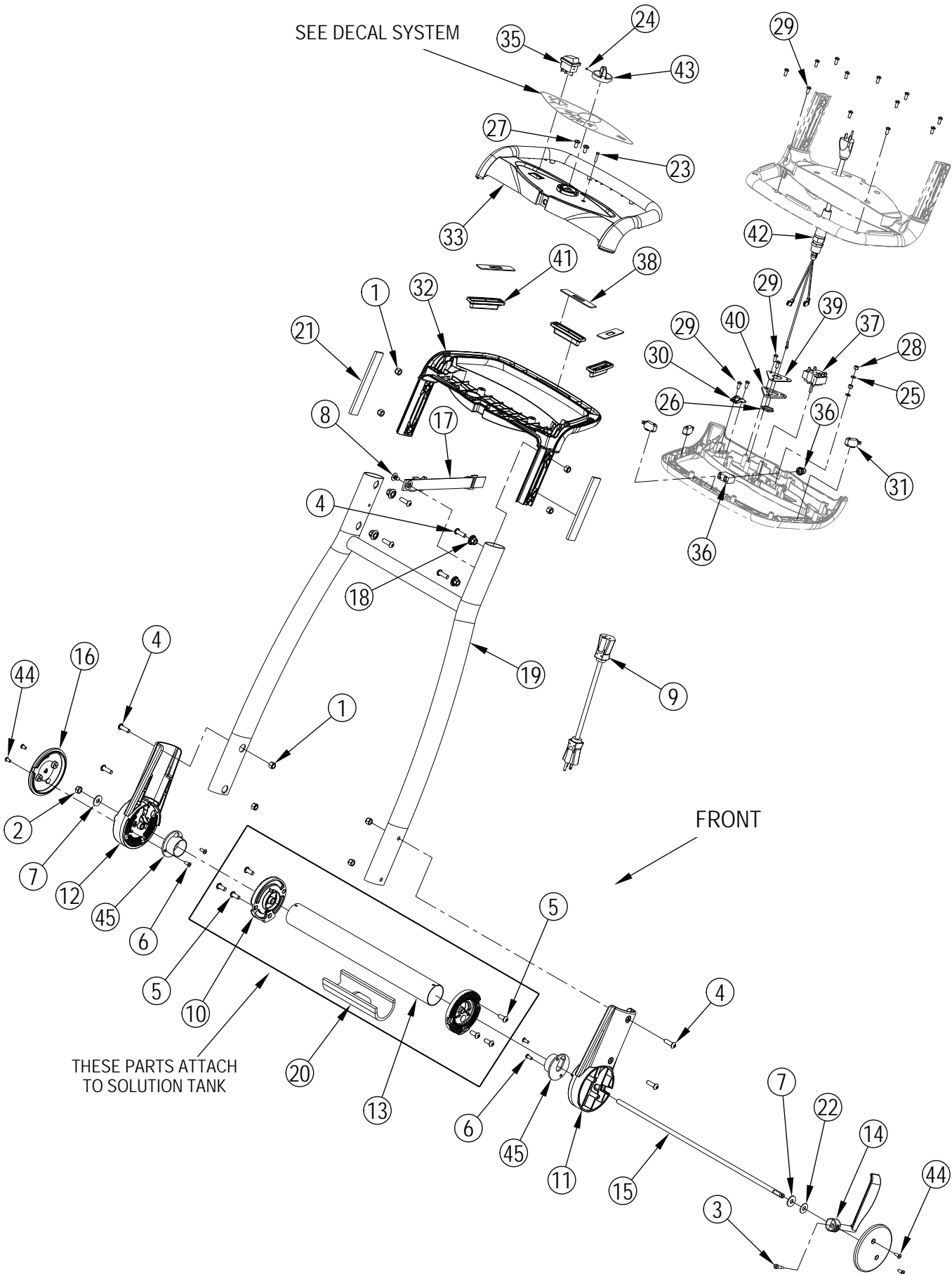
HANDLE SYSTEM 16XP

| Item | Ref. No. | Qty | Description |
|------|------------|-----|--------------------------------------|
| 1 | 56002146 | 1 | Scr-Pan Phil 8-32 X .62 |
| 2 | 56002701 | 4 | Nut, Hex Nyl Loc 5/16-18 |
| 3 | 56002808 | 1 | Nut, Hex Nyl Loc 8-32 |
| 4 | 56002851 | 1 | Nut, Hex Nyl Loc-Thin Ss 5/16-18 |
| 5 | 56002874 | 1 | Scr- Hex Ss 8-32 X .75 |
| 6 | 56002938 | 5 | Wsh-Flt Sae Ss 5/16 |
| 7 | 56003963 | 3 | Scr-Botton Soc Ss 5/16-18x1.00 |
| 8 | 56003984 | 1 | Scr-Button Soc Ss 5/16-18x1.50 |
| 9 | 56003992 | 1 | Scr-Soc Set M3-0.5x3 Ss |
| 10 | 56009010 | 2 | Wsh, Int Shprt #8 |
| 11 | 56009095 | 1 | Nut, Conduit Lock 1/2-14 |
| 12 | 56009129 | 2 | Scr, Pan Phil Type B 6 X .38 |
| 13 | 56009148 | 2 | Nut-Hex Machine 8-32 |
| 14 | 56009191 | 17 | Scr, Pan Phil Plastite 10-14 X .50 |
| 15 | 56264119 | 1 | Clamp, Power Cord |
| 16 | 56265098 | 1 | Switch, Spdt Snapaction S4 |
| 17 | 56265112 | 1 | Cord Set-14/3x50' Yel |
| 18 | 56265544 | 1 | Handle-Top Cover |
| [19] | 56265547 | 1 | Harness-Main |
| 20 | 56265549 | 1 | Switch-Rocker-Dpst S1 |
| 21 | 56265550 | 1 | Circuit Breaker-W/Boot-5a CB1 |
| 22 | 56265551 | 1 | Rotary Switch S2 |
| 23 | 56265564 | 1 | Plate-Switch Retainer |
| 24 | 56265639 | 1 | Strap/Buckle Assembly |
| 25 | 56265648 | 2 | Handle Tube-Ratchet |
| 26 | 56265659 | 1 | Plate-Cord Mounting |
| 27 | 56265682 | 2 | Lever-Locking Assembly |
| 28 | 56265693 | 1 | Handle-Bottom Cover-St |
| 29 | 56265698 | 1 | Gasket-Cord Mount |
| 30 | 56265715 | 1 | Button-Handle |
| 31 | 56265718 | 1 | Cord-Pigtail |
| 32 | 56265748 | 2 | Retainer-Harness |
| 33 | 56265752 | 2 | Bushing-Cam Adjustment |
| [34] | 56265769 | 2 | Jumper-18awg Wire |
| 35 | 9097228000 | 2 | Ratchet Handle Adjuster |
| 36 | 9097283000 | 1 | Knob Control Functions |

[] = Not Shown

HANDLE SYSTEM 18XLP

SEE DECAL SYSTEM

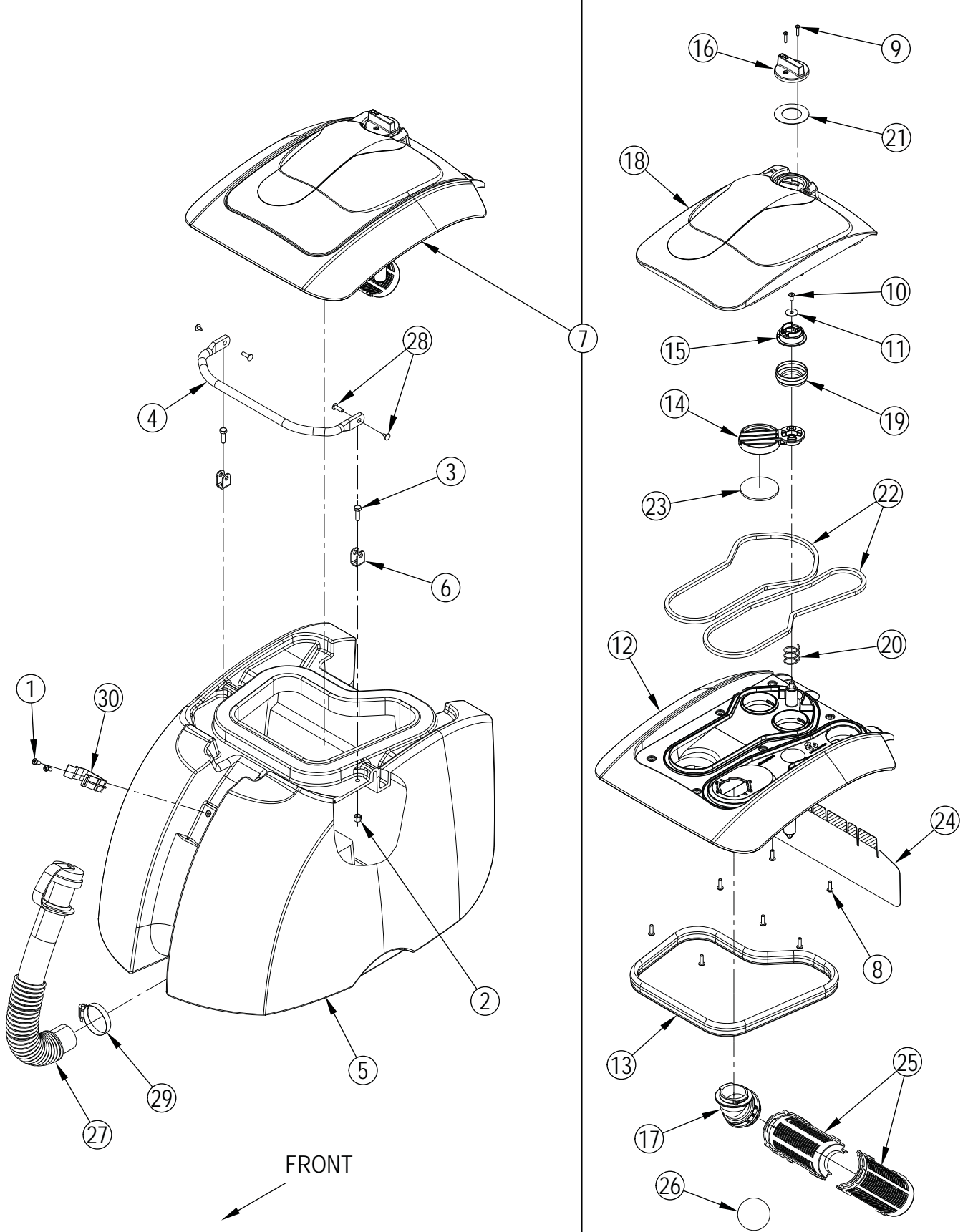


HANDLE SYSTEM 18XLP

| Item | Ref. No. | Qty | Description |
|------|------------|-----|---|
| 1 | 56002701 | 8 | Nut, Hex Nyl Loc 5/16-18 |
| 2 | 56002852 | 1 | Nut, Hex Nyl Loc-Thin Ss 3/8-16 |
| 3 | 56003624 | 1 | Scr-Soc Shd .25 X .50 X 10-24 |
| 4 | 56003963 | 8 | Scr-Botton Soc Ss 5/16-18x1.00 |
| 5 | 56003994 | 6 | Scr-Button Soc Ss 5/16-18x.75 |
| 6 | 56009191 | 4 | Scr, Pan Phil Plastite 10-14 X .50 |
| 7 | 56385358 | 2 | Washer |
| 8 | 56212241 | 1 | Clip, Panel |
| 9 | 56265112 | 1 | Cord Set-14/3x50' Yel |
| 10 | 56265525 | 2 | Mount-Ratchet |
| 11 | 56265526 | 1 | Handle-Socket-W/Hole |
| 12 | 56265527 | 1 | Handle-Socket-W/O Hole |
| 13 | 56265528 | 1 | Sleeve-Steel-2.0 Dia |
| 14 | 56265529 | 1 | Lever-Cam |
| 15 | 56265530 | 1 | Shaft-Cam Lock |
| 16 | 56265533 | 2 | Cap-Ratchet |
| 17 | 56265639 | 1 | Strap/Buckle Assembly |
| 18 | 56265658 | 4 | Bushing-Handle |
| 19 | 56265688 | 1 | Handle Weldment |
| 20 | 56265744 | 1 | Gasket-Handle Tube |
| 21 | 56265768 | 2 | Gasket-Handle-.25 X 1.0 X 6.0 |
| 22 | 56632681 | 1 | Washer, 3/8 Pl. Nylon |
| 23 | 56002874 | 1 | Scr- Hex Ss 8-32 X .75 |
| 24 | 56003992 | 1 | Scr-Soc Set M3-0.5x3 Ss |
| 25 | 56009010 | 2 | Wsh, Int Shprt #8 |
| 26 | 56009095 | 1 | Nut, Conduit Lock 1/2-14 |
| 27 | 56009129 | 2 | Scr, Pan Phil Type B 6 X .38 |
| 28 | 56009148 | 2 | Nut-Hex Machine 8-32 |
| 29 | 56009191 | 16 | Scr, Pan Phil Plastite 10-14 X .50 |
| 30 | 56264119 | 1 | Clamp, Power Cord |
| 31 | 56265098 | 3 | Switch, Spdt Snapaction S4 / S5 / S6 |
| 32 | 56265543 | 1 | Handle-Bottom Cover |
| 33 | 56265544 | 1 | Handle-Top Cover |
| [34] | 56265547 | 1 | Harness-Main |
| 35 | 56265549 | 1 | Switch-Rocker-Dpst S1 |
| 36 | 56265550 | 1 | Circuit Breaker-W/Boot-5a CB1 |
| 37 | 56265551 | 1 | Rotary Switch S2 |
| 38 | 56265564 | 3 | Plate-Switch Retainer |
| 39 | 56265659 | 1 | Plate-Cord Mounting |
| 40 | 56265698 | 1 | Gasket-Cord Mount |
| 41 | 56265715 | 3 | Button-Handle |
| 42 | 56265718 | 1 | Cord-Pigtail |
| 43 | 9097283000 | 1 | Knob Control Functions |
| 44 | 56009247 | 4 | Scr Pn Phil Plastite 10-14x.38 |
| 45 | 56265786 | 2 | Guide Ring Assy |

[] = Not Shown

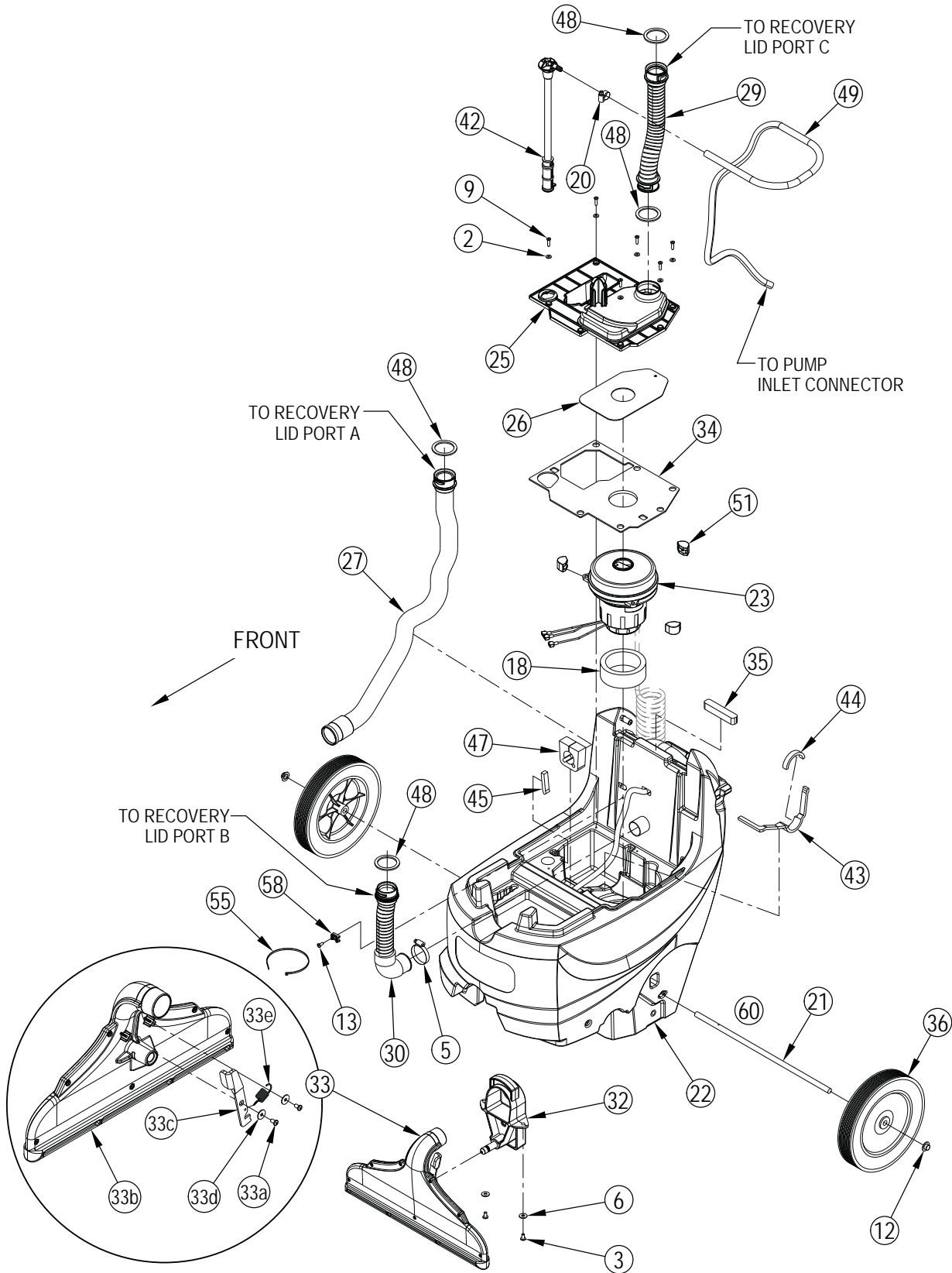
RECOVERY SYSTEM



RECOVERY SYSTEM

| Item | Ref. No. | Qty | Description |
|------|----------|-----|-----------------------------------|
| 1 | 56002900 | 2 | Scr-Pan Phil Ss 10-24 X .50 |
| 2 | 56003426 | 2 | Nut, Hex Nyl Loc Ss M6-1 |
| 3 | 56003454 | 2 | Scr-Hex Thd To Hd Ss M6-1 X 20mm |
| 4 | 56265621 | 1 | Handle-Tank |
| 5 | 56265523 | 1 | Recovery Tank-16 (16ST, 16XP) |
| | 56265623 | 1 | Recovery Tank-18 (18XLP) |
| 6 | 56265630 | 2 | Bracket-Handle Retainer |
| 7 | | 1 | Recovery Lid Assembly |
| 8 | 56002896 | 7 | Scr-Pan Phil Ss 10-24 X .62 |
| 9 | 56003197 | 2 | Scr, Pan Phil Plastite 6-18 X .62 |
| 10 | 56003913 | 1 | Scr-Pan Phil Loc Ss 10-24 X .38 |
| 11 | 56009349 | 1 | Wsh-Flt Ss .204 X .750 X .050 |
| 12 | 56265589 | 1 | Lid-Recovery Tank |
| 13 | 56265604 | 1 | Gasket-Recovery Tank |
| 14 | 56265651 | 1 | Paddle-Valve |
| 15 | 56265652 | 1 | Actuator-Valve |
| 16 | 56265653 | 1 | Knob-Valve |
| 17 | 56265654 | 1 | Adapter-Ball Float |
| 18 | 56265655 | 1 | Cover-Recovery Lid |
| 19 | 56265681 | 1 | Seal-Diverter Valve |
| 20 | 56265709 | 1 | Spring-Compression-Ss |
| 21 | 56265710 | 1 | Seal-Selector Knob |
| 22 | 56265737 | 2 | Gasket-Lid-Poron-.25x.25 |
| 23 | 56265738 | 1 | Gasket-Paddle-Poron-.125x2.38 |
| 24 | 56265783 | 1 | Barrier-Flexible-Lid |
| 25 | 56324497 | 2 | Cage, Float |
| 26 | 56391690 | 1 | Ball- Float |
| 27 | 56265685 | 1 | Hose Drain 1.5 Inch |
| 28 | 56265747 | 2 | Binding Post-Quick Install |
| 29 | 56329145 | 1 | Clamp- Hose Sae #24 |
| 30 | 56331154 | 1 | Clamp, Plastic |

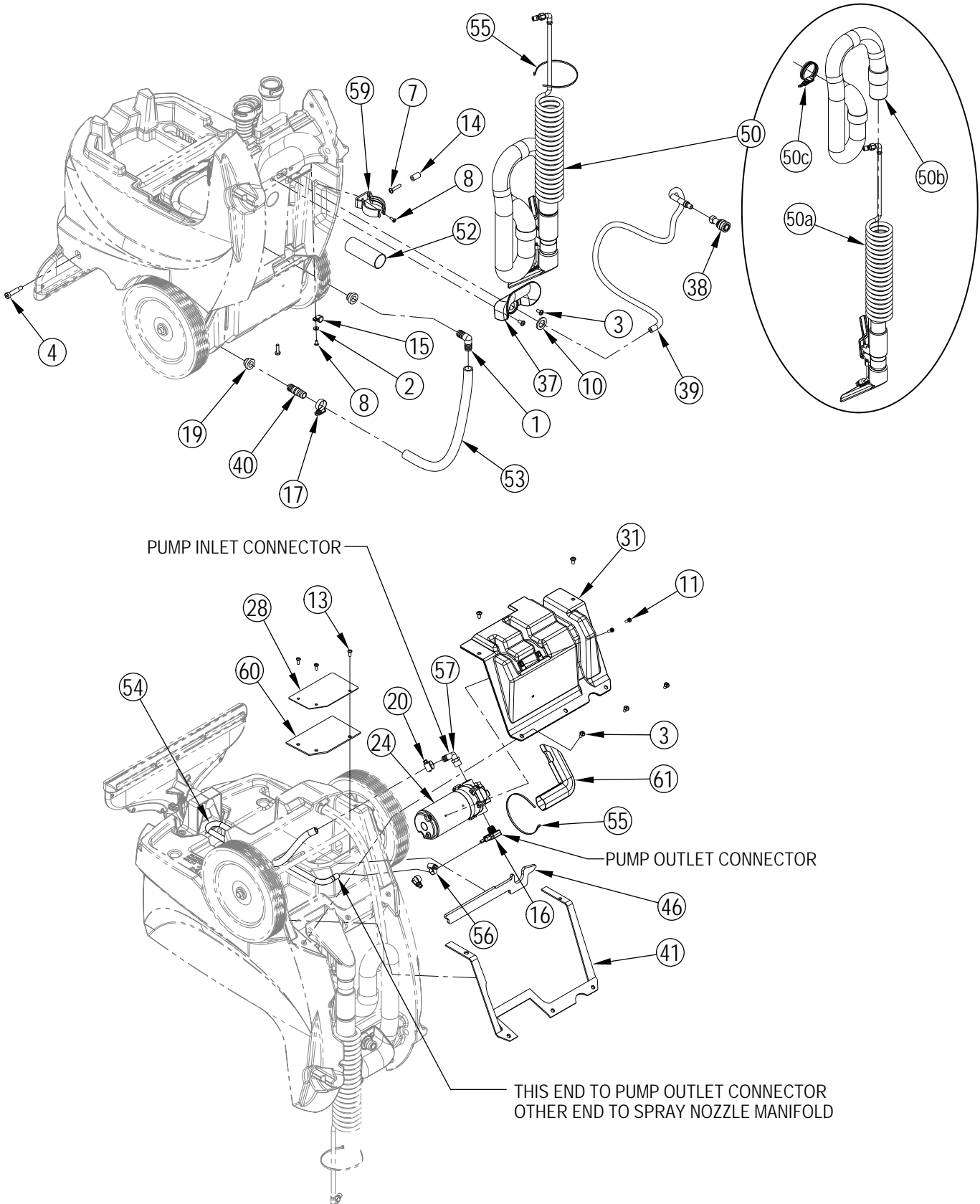
SOLUTION SYSTEM 16ST-16XP-1



SOLUTION SYSTEM 16ST-16XP-1

| Item | Ref. No. | Qty | Description | Item | Ref. No. | Qty | Description |
|------|----------|-----|---|------|------------|-----|------------------------------------|
| 1 | 832803 | 1 | Elbow-5/8 Hose | 34 | 56265665 | 1 | Gasket-Vac Motor Cover |
| 2 | 56001954 | 7 | Wsh, Flt Sae #10 | 35 | 56265694 | 1 | Gasket-Lid Support |
| 3 | 56003897 | 9 | Scr-Pan Phil Loc Ss 1/4-20 X .50 | 36 | 56265697 | 2 | Wheel-10.00x1.75x.50 |
| 4 | 56002624 | 1 | Scr-Soc Shd .38 X 1.25 X 5/16-18 | 37 | 56265704 | 1 | Hook-Hose Storage |
| 5 | 56329145 | 1 | Clamp- Hose Sae #24 | 38 | 56265705 | 1 | Socket-Quick Disconnect-1/8 Npt |
| 6 | 56002914 | 2 | Wsh, Flt Std Ss 1/4 | 39 | 56265708 | 1 | Hose Assembly-Solution |
| 7 | 56002958 | 2 | Scr-Pan Phil Ss 1/4-20 X 1.25 | 40 | 56265712 | 1 | Coupler-Barb-5/8 |
| 8 | 56003913 | 2 | Scr-Pan Phil Loc Ss 10-24 X .38 (16XP only) | 41 | 56265722 | 1 | Gasket-Back Panel |
| | 56003913 | 1 | Scr-Pan Phil Loc Ss 10-24 X .38 (16ST only) | 42 | 56265725 | 1 | Solution Filter Assembly-16 |
| 9 | 56003091 | 6 | Scr, Pan Phil Plastite 10-14 X .75 | 43 | 56265732 | 1 | Gasket-Vac Exhaust Chamber |
| 10 | 56009022 | 1 | Wsh, Flt .754 X 1.250 X .120 | 44 | 56265733 | 1 | Gasket-Vac Exhaust Port |
| 11 | 56009042 | 2 | Scr, Pan Phil Thd Form 10-24 X .62 | 45 | 56265734 | 1 | Gasket-Vac Chamber-Side |
| 12 | 56009097 | 2 | Nut, Push Cap 1/2 | 46 | 56265735 | 1 | Gasket-Backpanel-Bottom |
| 13 | 56009191 | 4 | Scr, Pan Phil Plastite 10-14 X .50 | 47 | 56265739 | 1 | Gasket-Sound-Vac Hose |
| 14 | 56052237 | 2 | Spacer, Phenolic | 48 | 56265743 | 4 | Gasket-Ring-Hose Cuff |
| 15 | 56056903 | 1 | Clamp-P | 49 | 56265766 | 1 | Hose-Spiral-.500 X 52.00 |
| 16 | 56109503 | 1 | Double Barb Assy | 50 | 56265767 | 1 | Hand Tool/Hoses Assembly |
| 17 | 56112771 | 1 | Clamp- Hose Sae #10 | 50a | 56265580 | 1 | Hand Tool/Hose Assembly |
| 18 | 56116110 | 1 | Seal-Inlet | 50b | 56265700 | 1 | Hose Assembly-Hand Tool |
| 19 | 56116721 | 2 | Grommet-.59x.78x.62 | 50c | 56265791 | 1 | Clamp-Hose Keyed Worm Drive |
| 20 | 56219932 | 2 | Clamp- Hose Sae #6 | 51 | 56315141 | 3 | Mount, Vibration |
| 21 | 56265057 | 1 | Axle | 52 | 56381838 | 1 | Tube Alum 1 1/2 Od X 4 (16XP only) |
| 22 | 56265522 | 1 | Tank-Solution-16 | 53 | 56265745 | 1 | Hose-Pvc-5/8x20.60 |
| 23 | 56265552 | 1 | Motor-Vacuum-120v M2 | 54 | 56265373 | 1 | Hose .25x21.0 E00160 (16ST only) |
| | 56265683 | 1 | Carbon Brush Kit-(Set Of 2) for 56265552 | | 56456560 | 1 | Hose .25x15.0 E00160 (16XP only) |
| 24 | 56265554 | 1 | Pump-115vac-120psi M1 | 55 | 56478523 | 3 | Tie, Cable |
| 25 | 56265582 | 1 | Cover-Vac Motor | 56 | 56756364 | 2 | Clamp- Hose Sae #4 |
| 26 | 56265583 | 1 | Plate-Vac Motor | 57 | 56109566 | 1 | Barb, 90 Elbow 1/2 X 3/8npt |
| 27 | 56265586 | 1 | Vac Hose Assembly | 58 | 9096595000 | 1 | Flat Tie Holder |
| 28 | 56265617 | 1 | Cover-Vac Inlet | 59 | 9098938000 | 1 | Clamp-Hose (16XP only) |
| 29 | 56265625 | 1 | Hose Assembly | 60 | 56265789 | 1 | Gasket-Vac-Inlet Cover |
| 30 | 56265626 | 1 | Vac Hose Assembly-W/Elbow (16XP only) | 61 | 56265787 | 1 | Boot-Pump |
| 31 | 56265631 | 1 | Cover-Back | | | | |
| 32 | 56265646 | 1 | Bracket-Shoe | | | | |
| 33 | 56265650 | 1 | Shoe/Latch Assembly-16 | | | | |
| 33a | 56009247 | 2 | Scr, Pan Phil Plastite 10-14x .38 | | | | |
| 33b | 56265538 | 1 | Shoe Assembly-16 | | | | |
| 33c | 56265640 | 1 | Latch-Shoe | | | | |
| 33d | 1326a | 2 | Washer Flat S.S 10 X11/1 | | | | |
| 33e | 54196a | 1 | Spring Extension | | | | |

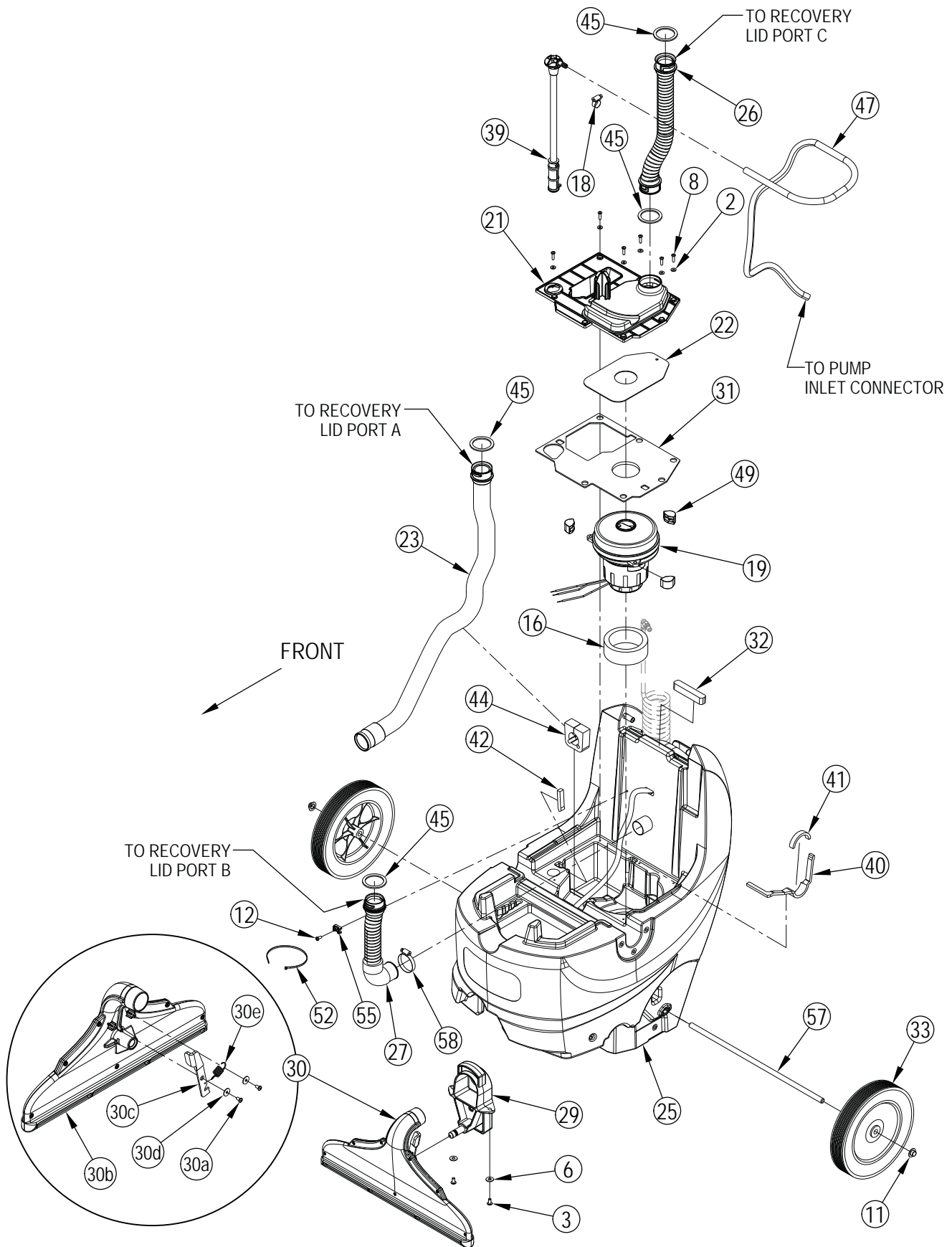
SOLUTION SYSTEM 16ST-16XP-2



SOLUTION SYSTEM 16ST-16XP-2

| Item | Ref. No. | Qty | Description | Item | Ref. No. | Qty | Description |
|------|----------|-----|---|------|------------|-----|------------------------------------|
| 1 | 832803 | 1 | Elbow-5/8 Hose | 34 | 56265665 | 1 | Gasket-Vac Motor Cover |
| 2 | 56001954 | 7 | Wsh, Flt Sae #10 | 35 | 56265694 | 1 | Gasket-Lid Support |
| 3 | 56003897 | 9 | Scr-Pan Phil Loc Ss 1/4-20 X .50 | 36 | 56265697 | 2 | Wheel-10.00x1.75x.50 |
| 4 | 56002624 | 1 | Scr-Soc Shd .38 X 1.25 X 5/16-18 | 37 | 56265704 | 1 | Hook-Hose Storage |
| 5 | 56329145 | 1 | Clamp- Hose Sae #24 | 38 | 56265705 | 1 | Socket-Quick Disconnect-1/8 Npt |
| 6 | 56002914 | 2 | Wsh, Flt Std Ss 1/4 | 39 | 56265708 | 1 | Hose Assembly-Solution |
| 7 | 56002958 | 2 | Scr-Pan Phil Ss 1/4-20 X 1.25 | 40 | 56265712 | 1 | Coupler-Barb-5/8 |
| 8 | 56003913 | 2 | Scr-Pan Phil Loc Ss 10-24 X .38 (16XP only) | 41 | 56265722 | 1 | Gasket-Back Panel |
| | 56003913 | 1 | Scr-Pan Phil Loc Ss 10-24 X .38 (16ST only) | 42 | 56265725 | 1 | Solution Filter Assembly-16 |
| 9 | 56003091 | 6 | Scr, Pan Phil Plastite 10-14 X .75 | 43 | 56265732 | 1 | Gasket-Vac Exhaust Chamber |
| 10 | 56009022 | 1 | Wsh, Flt .754 X 1.250 X .120 | 44 | 56265733 | 1 | Gasket-Vac Exhaust Port |
| 11 | 56009042 | 2 | Scr, Pan Phil Thd Form 10-24 X .62 | 45 | 56265734 | 1 | Gasket-Vac Chamber-Side |
| 12 | 56009097 | 2 | Nut, Push Cap 1/2 | 46 | 56265735 | 1 | Gasket-Backpanel-Bottom |
| 13 | 56009191 | 4 | Scr, Pan Phil Plastite 10-14 X .50 | 47 | 56265739 | 1 | Gasket-Sound-Vac Hose |
| 14 | 56052237 | 2 | Spacer, Phenolic | 48 | 56265743 | 4 | Gasket-Ring-Hose Cuff |
| 15 | 56056903 | 1 | Clamp-P | 49 | 56265766 | 1 | Hose-Spiral-.500 X 52.00 |
| 16 | 56109503 | 1 | Double Barb Assy | 50 | 56265767 | 1 | Hand Tool/Hoses Assembly |
| 17 | 56112771 | 1 | Clamp- Hose Sae #10 | 50a | 56265580 | 1 | Hand Tool/Hose Assembly |
| 18 | 56116110 | 1 | Seal-Inlet | 50b | 56265700 | 1 | Hose Assembly-Hand Tool |
| 19 | 56116721 | 2 | Grommet-.59x.78x.62 | 50c | 56265791 | 1 | Clamp-Hose Keyed Worm Drive |
| 20 | 56219932 | 2 | Clamp- Hose Sae #6 | 51 | 56315141 | 3 | Mount, Vibration |
| 21 | 56265057 | 1 | Axle | 52 | 56381838 | 1 | Tube Alum 1 1/2 Od X 4 (16XP only) |
| 22 | 56265522 | 1 | Tank-Solution-16 | 53 | 56265745 | 1 | Hose-Pvc-5/8x20.60 |
| 23 | 56265552 | 1 | Motor-Vacuum-120v M2 | 54 | 56265373 | 1 | Hose .25x21.0 E00160 (16ST only) |
| | 56265683 | 1 | Carbon Brush Kit-(Set Of 2) for 56265552 | | 56456560 | 1 | Hose .25x15.0 E00160 (16XP only) |
| 24 | 56265554 | 1 | Pump-115vac-120psi M1 | 55 | 56478523 | 3 | Tie, Cable |
| 25 | 56265582 | 1 | Cover-Vac Motor | 56 | 56756364 | 2 | Clamp- Hose Sae #4 |
| 26 | 56265583 | 1 | Plate-Vac Motor | 57 | 56109566 | 1 | Barb, 90 Elbow 1/2 X 3/8npt |
| 27 | 56265586 | 1 | Vac Hose Assembly | 58 | 9096595000 | 1 | Flat Tie Holder |
| 28 | 56265617 | 1 | Cover-Vac Inlet | 59 | 9098938000 | 1 | Clamp-Hose (16XP only) |
| 29 | 56265625 | 1 | Hose Assembly | 60 | 56265789 | 1 | Gasket-Vac-Inlet Cover |
| 30 | 56265626 | 1 | Vac Hose Assembly-W/Elbow (16XP only) | 61 | 56265787 | 1 | Boot-Pump |
| 31 | 56265631 | 1 | Cover-Back | | | | |
| 32 | 56265646 | 1 | Bracket-Shoe | | | | |
| 33 | 56265650 | 1 | Shoe/Latch Assembly-16 | | | | |
| 33a | 56009247 | 2 | Scr, Pan Phil Plastite 10-14x .38 | | | | |
| 33b | 56265538 | 1 | Shoe Assembly-16 | | | | |
| 33c | 56265640 | 1 | Latch-Shoe | | | | |
| 33d | 1326a | 2 | Washer Flat S.S 10 X11/1 | | | | |
| 33e | 54196a | 1 | Spring Extension | | | | |

SOLUTION SYSTEM 18XLP-1



SOLUTION SYSTEM 18XLP-1

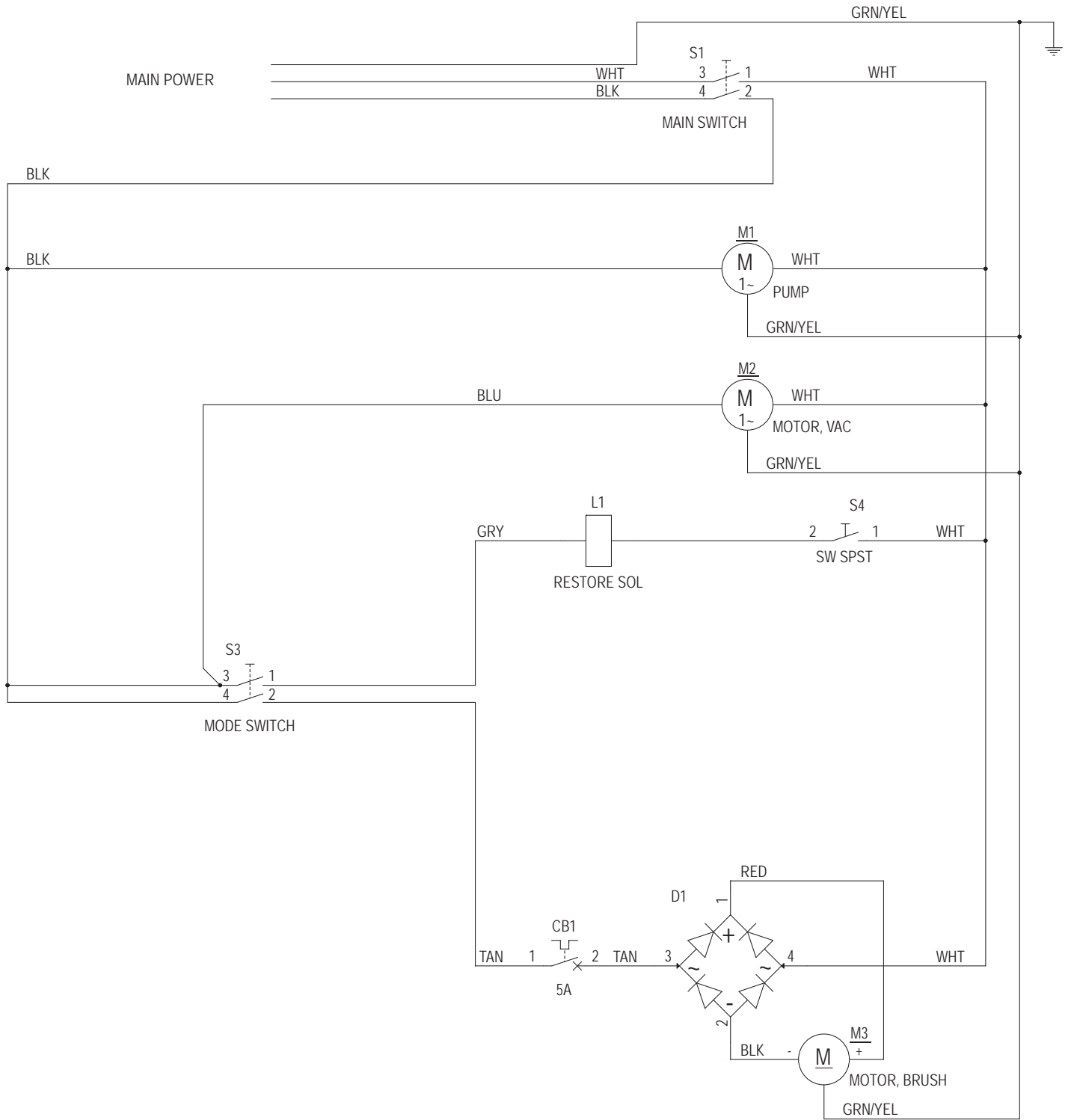
| Item | Ref. No. | Qty | Description | Item | Ref. No. | Qty | Description |
|------|----------|-----|--|------|------------|-----|---------------------------------|
| 1 | 832803 | 1 | Elbow-5/8 Hose | 31 | 56265665 | 1 | Gasket-Vac Motor Cover |
| 2 | 56001954 | 6 | Wsh, Flt Sae #10 | 32 | 56265694 | 1 | Gasket-Lid Support |
| 3 | 56003897 | 9 | Scr-Pan Phil Loc Ss 1/4-20 X .50 | 33 | 56265697 | 2 | Wheel-10.00x1.75x.50 |
| 4 | 56002624 | 1 | Scr-Soc Shd .38 X 1.25 X 5/16-18 | 34 | 56265704 | 1 | Hook-Hose Storage |
| 5 | 56003913 | 1 | Scr-Pan Phil Loc Ss 10-24 X .38 | 35 | 56265705 | 1 | Socket-Quick Disconnect-1/8 Npt |
| 6 | 56002914 | 2 | Wsh, Flt Std Ss 1/4 | 36 | 56265708 | 1 | Hose Assembly-Solution |
| 7 | 56002958 | 2 | Scr-Pan Phil Ss 1/4-20 X 1.25 | 37 | 56265712 | 1 | Coupler-Barb-5/8 |
| 8 | 56003091 | 6 | Scr, Pan Phil Plastite 10-14 X .75 | 38 | 56265722 | 1 | Gasket-Back Panel |
| 9 | 56009022 | 1 | Wsh, Flt .754 X 1.250 X .120 | 39 | 56265726 | 1 | Solution Filter Assembly-18 |
| 10 | 56009042 | 2 | Scr, Pan Phil Thd Form 10-24 X .62 | 40 | 56265732 | 1 | Gasket-Vac Exhaust Chamber |
| 11 | 56009097 | 2 | Nut, Push Cap 1/2 | 41 | 56265733 | 1 | Gasket-Vac Exhaust Port |
| 12 | 56009191 | 4 | Scr, Pan Phil Plastite 10-14 X .50 | 42 | 56265734 | 1 | Gasket-Vac Chamber-Side |
| 13 | 56052237 | 2 | Spacer, Phenolic | 43 | 56265735 | 1 | Gasket-Backpanel-Bottom |
| 14 | 56109503 | 1 | Double Barb Assy | 44 | 56265739 | 1 | Gasket-Sound-Vac Hose |
| 15 | 56112771 | 1 | Clamp- Hose Sae #10 | 45 | 56265743 | 4 | Gasket-Ring-Hose Cuff |
| 16 | 56116110 | 1 | Seal-Inlet | 46 | 56265745 | 1 | Hose-Pvc-5/8x20.60 |
| 17 | 56116721 | 2 | Grommet-.59x.78x.62 | 47 | 56265766 | 1 | Hose-Spiral-.500 X 52.00 |
| 18 | 56219932 | 2 | Clamp- Hose Sae #6 | 48 | 56265767 | 1 | Hand Tool/Hoses Assembly |
| 19 | 56265552 | 1 | Motor-Vacuum-120v M2 | 48a | 56265580 | 1 | Hand Tool/Hose Assembly |
| | 56265683 | 1 | Carbon Brush Kit-(Set Of 2) for 56265552 | 48b | 56265700 | 1 | Hose Assembly-Hand Tool |
| 20 | 56265554 | 1 | Pump-115vac-120psi M1 | 48c | 56265791 | 1 | Clamp-Hose Keyed Worm Drive |
| 21 | 56265582 | 1 | Cover-Vac Motor | 49 | 56315141 | 3 | Mount, Vibration |
| 22 | 56265583 | 1 | Plate-Vac Motor | 50 | 56381838 | 1 | Tube Alum 1 1/2 Od X 4 |
| 23 | 56265586 | 1 | Vac Hose Assembly | 51 | 56456560 | 1 | Hose .25x15.0 E00160 |
| 24 | 56265617 | 1 | Cover-Vac Inlet | 52 | 56478523 | 3 | Tie, Cable |
| 25 | 56265622 | 1 | Solution Tank-18 | 53 | 56756364 | 2 | Clamp- Hose Sae #4 |
| 26 | 56265625 | 1 | Hose Assembly | 54 | 56109566 | 1 | Barb, 90 Elbow 1/2 X 3/8npt |
| 27 | 56265626 | 1 | Vac Hose Assembly-W/Elbow | 55 | 9096595000 | 1 | Flat Tie Holder |
| 28 | 56265631 | 1 | Cover-Back | 56 | 9098938000 | 1 | Clamp-Hose |
| 29 | 56265646 | 1 | Bracket-Shoe | 57 | 910-1863 | 1 | Axel Rod Zinc Plated 1/2 Ro |
| 30 | 56265662 | 1 | Shoe/Latch Assembly-18 | 58 | 56329145 | 1 | Clamp- Hose Sae #24 |
| 30a | 56009247 | 2 | Scr, Pan Phil Plastite 10-14x .38 | 59 | 56265789 | 1 | Gasket-Vac-Inlet Cover |
| 30b | 56265538 | 1 | Shoe Assembly-16 | 60 | 56265787 | 1 | Boot-Pump |
| 30c | 56265640 | 1 | Latch-Shoe | | | | |
| 30d | 1326a | 2 | Washer Flat S.S 10 X11/1 | | | | |
| 30e | 54196a | 1 | Spring Extension | | | | |

SOLUTION SYSTEM 18XLP-2

| Item | Ref. No. | Qty | Description | Item | Ref. No. | Qty | Description |
|------|----------|-----|--|------|------------|-----|---------------------------------|
| 1 | 832803 | 1 | Elbow-5/8 Hose | 31 | 56265665 | 1 | Gasket-Vac Motor Cover |
| 2 | 56001954 | 6 | Wsh, Flt Sae #10 | 32 | 56265694 | 1 | Gasket-Lid Support |
| 3 | 56003897 | 9 | Scr-Pan Phil Loc Ss 1/4-20 X .50 | 33 | 56265697 | 2 | Wheel-10.00x1.75x.50 |
| 4 | 56002624 | 1 | Scr-Soc Shd .38 X 1.25 X 5/16-18 | 34 | 56265704 | 1 | Hook-Hose Storage |
| 5 | 56003913 | 1 | Scr-Pan Phil Loc Ss 10-24 X .38 | 35 | 56265705 | 1 | Socket-Quick Disconnect-1/8 Npt |
| 6 | 56002914 | 2 | Wsh, Flt Std Ss 1/4 | 36 | 56265708 | 1 | Hose Assembly-Solution |
| 7 | 56002958 | 2 | Scr-Pan Phil Ss 1/4-20 X 1.25 | 37 | 56265712 | 1 | Coupler-Barb-5/8 |
| 8 | 56003091 | 6 | Scr, Pan Phil Plastite 10-14 X .75 | 38 | 56265722 | 1 | Gasket-Back Panel |
| 9 | 56009022 | 1 | Wsh, Flt .754 X 1.250 X .120 | 39 | 56265726 | 1 | Solution Filter Assembly-18 |
| 10 | 56009042 | 2 | Scr, Pan Phil Thd Form 10-24 X .62 | 40 | 56265732 | 1 | Gasket-Vac Exhaust Chamber |
| 11 | 56009097 | 2 | Nut, Push Cap 1/2 | 41 | 56265733 | 1 | Gasket-Vac Exhaust Port |
| 12 | 56009191 | 4 | Scr, Pan Phil Plastite 10-14 X .50 | 42 | 56265734 | 1 | Gasket-Vac Chamber-Side |
| 13 | 56052237 | 2 | Spacer, Phenolic | 43 | 56265735 | 1 | Gasket-Backpanel-Bottom |
| 14 | 56109503 | 1 | Double Barb Assy | 44 | 56265739 | 1 | Gasket-Sound-Vac Hose |
| 15 | 56112771 | 1 | Clamp- Hose Sae #10 | 45 | 56265743 | 4 | Gasket-Ring-Hose Cuff |
| 16 | 56116110 | 1 | Seal-Inlet | 46 | 56265745 | 1 | Hose-Pvc-5/8x20.60 |
| 17 | 56116721 | 2 | Grommet-.59x.78x.62 | 47 | 56265766 | 1 | Hose-Spiral-.500 X 52.00 |
| 18 | 56219932 | 2 | Clamp- Hose Sae #6 | 48 | 56265767 | 1 | Hand Tool/Hoses Assembly |
| 19 | 56265552 | 1 | Motor-Vacuum-120v M2 | 48a | 56265580 | 1 | Hand Tool/Hose Assembly |
| | 56265683 | 1 | Carbon Brush Kit-(Set Of 2) for 56265552 | 48b | 56265700 | 1 | Hose Assembly-Hand Tool |
| 20 | 56265554 | 1 | Pump-115vac-120psi M1 | 48c | 56265791 | 1 | Clamp-Hose Keyed Worm Drive |
| 21 | 56265582 | 1 | Cover-Vac Motor | 49 | 56315141 | 3 | Mount, Vibration |
| 22 | 56265583 | 1 | Plate-Vac Motor | 50 | 56381838 | 1 | Tube Alum 1 1/2 Od X 4 |
| 23 | 56265586 | 1 | Vac Hose Assembly | 51 | 56456560 | 1 | Hose .25x15.0 E00160 |
| 24 | 56265617 | 1 | Cover-Vac Inlet | 52 | 56478523 | 3 | Tie, Cable |
| 25 | 56265622 | 1 | Solution Tank-18 | 53 | 56756364 | 2 | Clamp- Hose Sae #4 |
| 26 | 56265625 | 1 | Hose Assembly | 54 | 56109566 | 1 | Barb, 90 Elbow 1/2 X 3/8npt |
| 27 | 56265626 | 1 | Vac Hose Assembly-W/Elbow | 55 | 9096595000 | 1 | Flat Tie Holder |
| 28 | 56265631 | 1 | Cover-Back | 56 | 9098938000 | 1 | Clamp-Hose |
| 29 | 56265646 | 1 | Bracket-Shoe | 57 | 910-1863 | 1 | Axel Rod Zinc Plated 1/2 Ro |
| 30 | 56265662 | 1 | Shoe/Latch Assembly-18 | 58 | 56329145 | 1 | Clamp- Hose Sae #24 |
| 30a | 56009247 | 2 | Scr, Pan Phil Plastite 10-14x .38 | 59 | 56265789 | 1 | Gasket-Vac-Inlet Cover |
| 30b | 56265538 | 1 | Shoe Assembly-16 | 60 | 56265787 | 1 | Boot-Pump |
| 30c | 56265640 | 1 | Latch-Shoe | | | | |
| 30d | 1326a | 2 | Washer Flat S.S 10 X11/1 | | | | |
| 30e | 54196a | 1 | Spring Extension | | | | |

LADDER DIAGRAM 16ST

ST MACHINE VARIANT

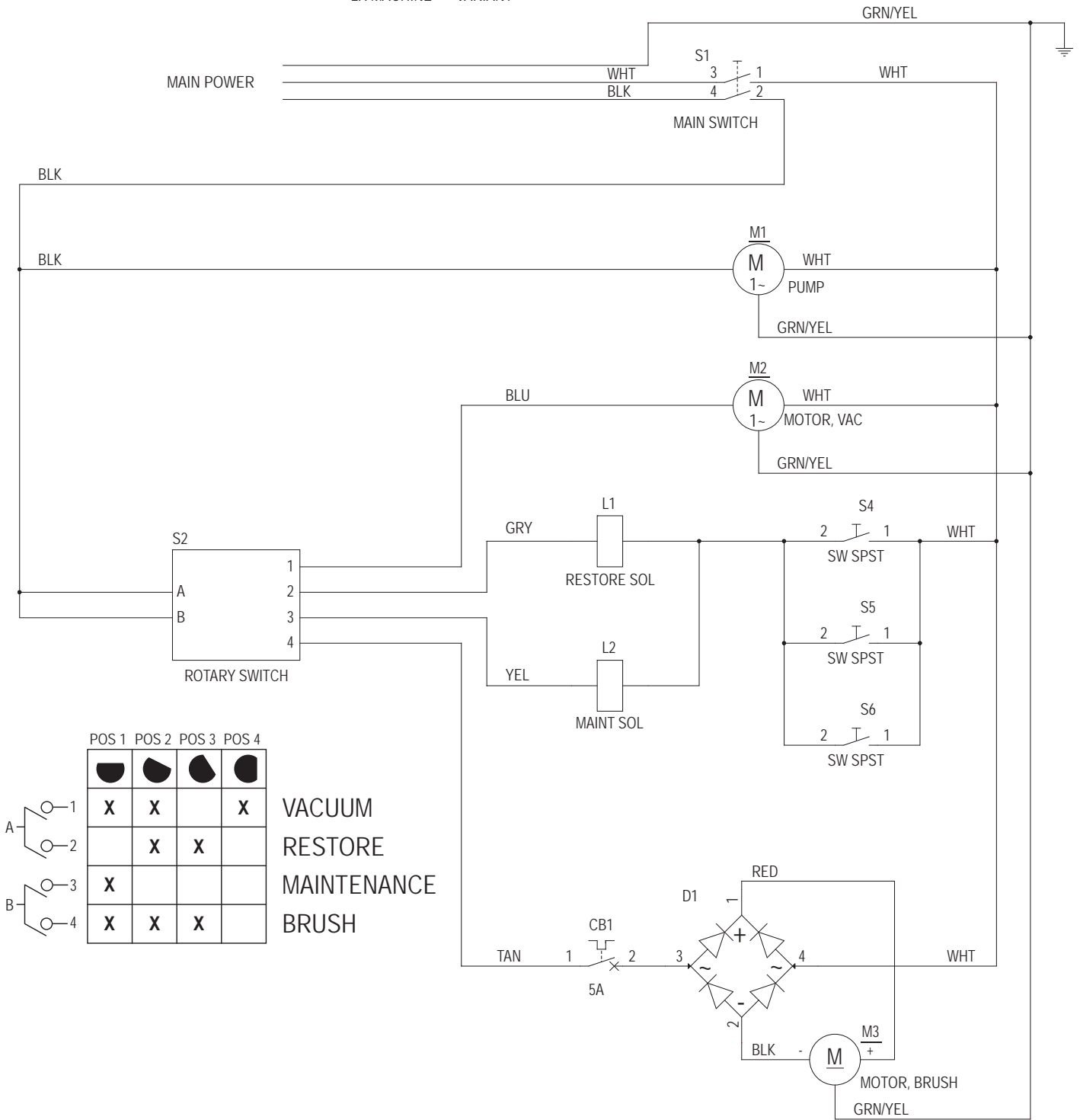


LADDER DIAGRAM 16ST

| <u>Item</u> | <u>Ref. No.</u> | <u>Qty</u> | <u>Description</u> |
|-------------|-----------------|------------|--|
| CB1 | 56265550 | 1 | Circuit Breaker, 5 Amp |
| D1 | 56265103 | 1 | Rectifier, 35 Amp |
| L1 | 56265746 | 1 | Valve, Solenoid 115V |
| M1 | 56265554 | 1 | Pump-115vac-120psi |
| M2 | 56265552 | 1 | Motor-Vacuum-120v |
| | 56265683 | | Carbon Brush Kit-(Set Of 2) for 56265552 |
| M3 | 56265075 | 1 | Motor, 115 Vdc, 1/3 Hp |
| S1 | 56265549 | 1 | Switch-Rocker-Dpst |
| S3 | 56265549 | 1 | Switch-Rocker-Dpst |
| S4 | 56265098 | 1 | Switch, Spdt Snapaction |

LADDER DIAGRAM 16XP-18XLP

LX MACHINE VARIANT



POS 1 POS 2 POS 3 POS 4

| | POS 1 | POS 2 | POS 3 | POS 4 | |
|---|-------|-------|-------|-------|-------------|
| A | X | X | | X | VACUUM |
| | | X | X | | RESTORE |
| B | X | | | | MAINTENANCE |
| | X | X | X | | BRUSH |

LADDER DIAGRAM 16XP-18XLP

| <u>Item</u> | <u>Ref. No.</u> | <u>Qty</u> | <u>Description</u> |
|-------------|-----------------|------------|--|
| CB1 | 56265550 | 1 | Circuit Breaker, 5 Amp |
| D1 | 56265103 | 1 | Rectifier, 35 Amp |
| L1 | 56265746 | 1 | Valve, Solenoid 115V |
| L2 | 56265570 | 1 | Valve/Nozzle Assy-120v-Maint |
| M1 | 56265554 | 1 | Pump-115vac-120psi |
| M2 | 56265552 | 1 | Motor-Vacuum-120v |
| | 56265683 | | Carbon Brush Kit-(Set Of 2) for 56265552 |
| M3 | 56265075 | 1 | Motor, 115 Vdc, 1/3 Hp |
| S1 | 56265549 | 1 | Switch-Rocker-Dpst |
| S2 | 56265551 | 1 | Rotary Switch |
| S4 | 56265098 | 1 | Switch, Spdt Snapaction |
| S5 | 56265098 | 1 | Switch, Spdt Snapaction |
| S6 | 56265098 | 1 | Switch, Spdt Snapaction |

OPTIONS & ACCESSORIES

| Item | Ref. No. | Qty | Description |
|------|----------|-----|--|
| | | | Options |
| | 56265044 | 1 | Brush Assembly 16 |
| | 56265175 | 1 | Brush Assembly Blue 16 Hard |
| | 56265176 | 1 | Brush Assembly 240 Grit 16 |
| | 56265099 | 1 | Brush Assembly 18 |
| | 56265177 | 1 | Brush Assembly Blue 18 Hard |
| | 56265178 | 1 | Brush Assembly 240 Grit 18 |
| | | | Accessories |
| | 56314402 | 1 | Wand Assembly w/Soft and Hard Floor Tools |
| | 56265173 | 1 | Wand Assembly w/Soft Floor Tool |
| | 56220070 | 1 | Upholstery Hand Tool |
| | 56265305 | 1 | Drag Wand |
| | 56265306 | 1 | Scrub and Vac Wand |
| | 56265309 | 1 | Plug Adaptor Kit |
| | 56265174 | 1 | 15' Hose w/Waterline |
| | 56265753 | 1 | Hose Assy - 96 In. |
| | 56265754 | 1 | Hose Assy - 184 In. |
| | 56265767 | 1 | Hand Tool/Hoses Assembly |
| | 56265675 | 1 | Hard Floor Tool Assembly |
| | 56044697 | 1 | Literature Pack |
| | | | Brushes (See Brush Selector Guide) |

BRUSH SELECTOR GUIDE

We provide brushes that will give you the best possible performance between machine and floor. Following are descriptions of the materials and their applications.

- Soft Nylon Brush:** Carpet cleaning brush also used on soft-finish floors where a more aggressive brush would leave scratch marks, or in applications requiring light cleaning.
- Stiff Nylon Brush (Blue):** Hard floor cleaning effective in cleaning most common surfaces.
- 240 Grit Brush:** Medium aggressive grit brush. Good all-around brush for medium to heavy buildup removal on hard floors.

16" BRUSHES

56265044 - Nylon
56265175 - Blue
56265176 - 240 Grit

18" BRUSHES

56265099 - Nylon
56265177 - Blue
56265178 - 240 Grit

CYLINDRICAL BRUSH APPLICATION GUIDE (SUGGESTION ONLY)

| Application | Nylon | Blue | 240 Grit |
|--------------------------|-------|------|-------------|
| General Cleaning: | | | |
| Carpet Cleaning | X | | |
| Concrete | | X | X |
| Terrazzo | X | X | X |
| Ceramic/Quarry tile | X | X | X |
| Marble | X | X | X |
| Vinyl tile | X | X | X |
| Raised-rubber tile | X | X | X |



Advance

9435 Winnetka Ave North
Minneapolis, MN 55445
www.advance-us.com
Phone: 800-989-2235
Fax: 800-989-6566
©2016 Nilfisk, Inc.

A Nilfisk Brand