

VL500™

Wet/Dry Vacuums



Versatile performance and superior filtration deliver a cost-efficient cleaning solution

The new line of Advance VL500™ wet/dry vacuums is designed to accommodate virtually any cleaning requirement. Available in three models—9, 14 and 19 gallon tank configurations—the VL500 wet/dry vacuum applications range from small office environments to large education and healthcare facilities. Designed with a superior filtration system, easy-to-use features and multiple accessories, operators are guaranteed to find a wet/dry vacuum to fit their cleaning program.

Flexible operation

With three unique models to select from, the VL500 series delivers unprecedented cleaning flexibility. Equipped with a front-mount squeegee and 19 gallon tank, the VL500-75 is ideal for picking up wet matter when stripping with floor stripper and a floor machine. Plus, an exclusive ERGO “tip n pour” design makes wet pick-up and emptying easy. For emergency spills and floods, the VL500-55 delivers the power and functionality when you need it. Featuring a hose, wand, squeegee floor tool, brush floor tool and optional front-mount squeegee, you can quickly clean up any unwanted messes. When dirt or dust is the primary issue, the VL500-35 offers quality filtration and dust capture, in addition to crevice and dusting tools. Operators can also employ the VL500-35 for wet applications.

Superior filtration

Featuring a unique filter system, the VL500 series offers one solution for both wet and dry filtration. Designed with three durable components, the filter completely seals the entry to the motor, protecting the motor from dust, debris, water or other liquids. Once the job is complete, the filter can be easily lifted out of the vacuum for a simple rinse, then replaced and ready for the next job in a matter of minutes.

Easy operation

The VL500 wet/dry vacuums offer simple and reliable operation. The 14 and 19 gallon configurations feature a balanced wide stance for superior maneuverability, while the lightweight design of the 9 gallon model ensures easy transportation. For enhanced performance, the VL500 series offers a variety of standard and optional accessories, ranging from hoses and wands to squeegees and dusting tools.

Accessories and Options

- Squeegee complete
(Standard on VL500-75; optional on VL500-55; not available on VL500-35.)
- Floor nozzle rubber strip
- Floor nozzle brush
- Crevice tool
- Extension tube/wand
- Hose
- Cartridge filter
- Wet filter
- Tubeholder

Typical Applications Include

- Schools and Universities
- Hospitals / Healthcare Facilities
- Grocery Stores
- Retail Outlets
- Arenas and Stadiums
- Automobile Dealerships

Productivity

With superior flexibility, high power and cost-efficient performance, the VL500™ series exceeds the cleaning expectations of the wet/dry vacuum market.

VL500™

Wet/Dry Vacuums



Unique filter system protects the motor from water, while ensuring complete wet and dry filtration. It is designed with the following components:

- Dry cartridge filter keeps water away from the motor and is waterproof and washable for increased durability
- Red panel holds floater and prevents water overflow
- Blue panel mesh wet filter dissipates foam



Front-mount squeegee is easy to install, and enables easy cleaning in both forward and backward directions. With a break-away design, the squeegee can be quickly engaged via the foot pedal.

* Standard on VL500-75; optional on VL500-55; not available on VL500-35.



The VL500-75 and patent pending ERGO "tip n pour" design allows operators to easily empty the tank with 80% reduced effort. Standard "tip n pour" is available on the VL500-55 model.

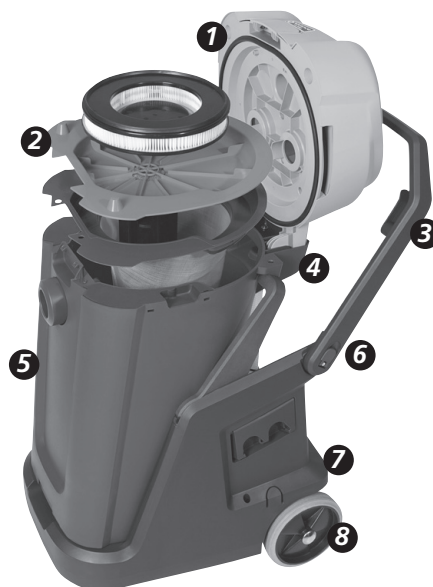


The VL500 series features a variety of standard and optional accessories, including: hose, wand, squeegee floor tool, brush floor tool, crevice tool, dusting tool and front-mounted squeegee.

Nilfisk, Inc.

9435 Winnetka Avenue North
Brooklyn Park, MN 55445
www.advance-us.com
Phone 800-850-5559
Fax 800-989-6566

- 1 Powerful 1,000 W motor enhances cleaning capacity
- 2 Filter system allows for both wet and dry filtration, with full motor protection
- 3 Handle hanger for cord storage
- 4 Hinge motor head lifts off for quick access to the motor and tank
- 5 ERGO "tip n pour" design allows for easy tank emptying
- 6 Adjustable handle increases operator comfort
- 7 Simple foot pedal for squeegee engagement
- 8 Balanced wide stance ensures easy maneuverability



*VL500-75 shown

Defining Cleaning Innovation...

- Our products are designed using innovative technology that increases productivity and drives down the cost to clean.
- You can get expert service and maintenance for your Advance machines from factory-trained personnel around the world. Fast parts delivery, too.
- Maintain peak performance with Nilfisk Parts.

Technical Specifications

Models	VL500™ 35	VL500™ 55	VL500™ 75
Power	120 V / 60 Hz	120 V / 60 Hz	120 V / 60 Hz
Power Cord Length	50 ft (15 m)	50 ft (15 m)	50 ft (15 m)
Power PMAX	1,100 W	1,100 W	1,100 W
Suction Power End of Tube	220 W	185 W	185 W
Airflow	101 CFM (45 L/Sec)	101 CFM (48 L/Sec)	101 CFM (48 L/Sec)
Vacuum at Nozzle	72 inches of H ₂ O (20 kPa)	72 inches of H ₂ O (18 kPa)	72 inches of H ₂ O (18 kPa)
Sound Pressure Level	81 dB A	82 dB A	82 dB A
Tank Capacity	9 gal (35 L)	14 gal (55 L)	19 gal (75 L)
Dust Bag Capacity – Dry	4 gal (18 L)	6 gal (28 L)	9 gal (44 L)
Wet Filter Area	163 in ² (1,051 cm ²)	285 in ² (1,840 cm ²)	285 in ² (1,840 cm ²)
Cartridge Filter Area	321 in ² (2,070 cm ²)	683 in ² (4,410 cm ²)	683 in ² (4,410 cm ²)
Hose Length	6 ft (1.9 m)	8 ft (2.5 m)	8 ft (2.5 m)
Hose Inlet	~1.25 (32 mm)	~1.5 (40 mm)	~1.5 (40 mm)
Length x Width x Height	19 in x 17 in x 29 in (46 cm x 42 cm x 73 cm)	34 x 24 x 40 in (84 cm x 62 cm x 100 cm)	26 x 24 x 41 in (66 cm x 62 cm x 103 cm)
Weight	25 lb (11.5 kg)	52 lb (23.5 kg)	61 lb (27.5 kg)
Tube Holder	included	included	included
Drain Hose	–	included	included
Accessory Storage	included	included	included
Adjustable Handle	–	–	included
Folding Transport Handle	–	–	included
Dual Filter System	included	included	included
Ergo Tip Design	–	–	included
Model Numbers	107409094	107409093	56383408

Specifications are subject to change without notice.



 **Advance**
by Nilfisk

