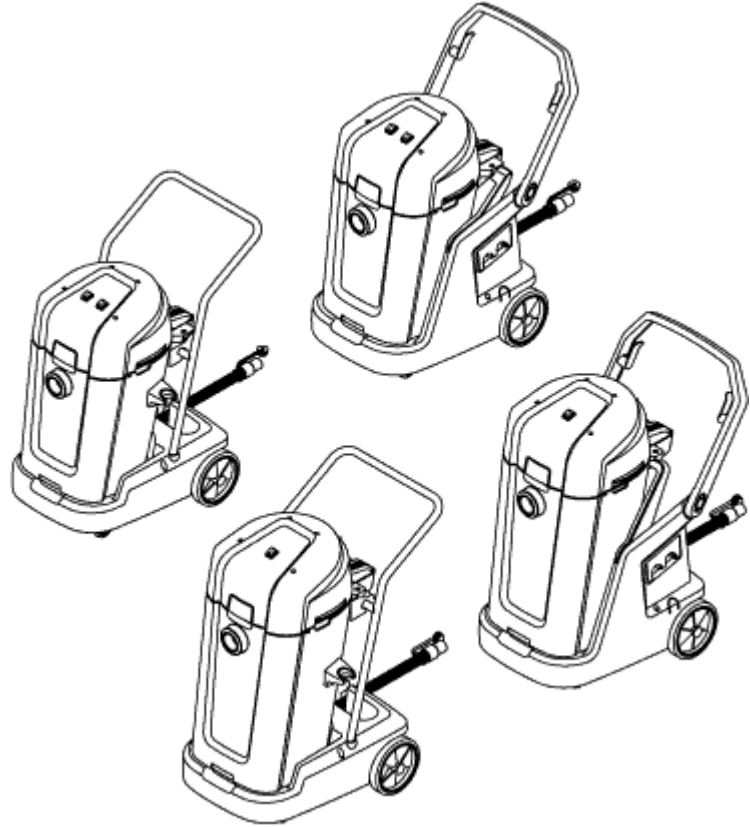


# VL500-75

Model:

VL500 - 75B - Nilfisk

VL500 - 75E - Nilfisk



Part List US-English

16-02-2015

# Table of Contents

VL500-75

<b>Top 55-1, 75-1</b>	<b>3</b>
<b>Top 55-2, 75-2</b>	<b>5</b>
<b>Container 75 BSF, BDF</b>	<b>7</b>
<b>Container 75 EDF</b>	<b>9</b>
<b>Filter and bags 55, 75</b>	<b>11</b>
<b>Squeegee Accessory</b>	<b>13</b>
<b>Accessories</b>	<b>15</b>
<b>Recommended spare parts</b>	<b>17</b>

# Top 55-1, 75-1

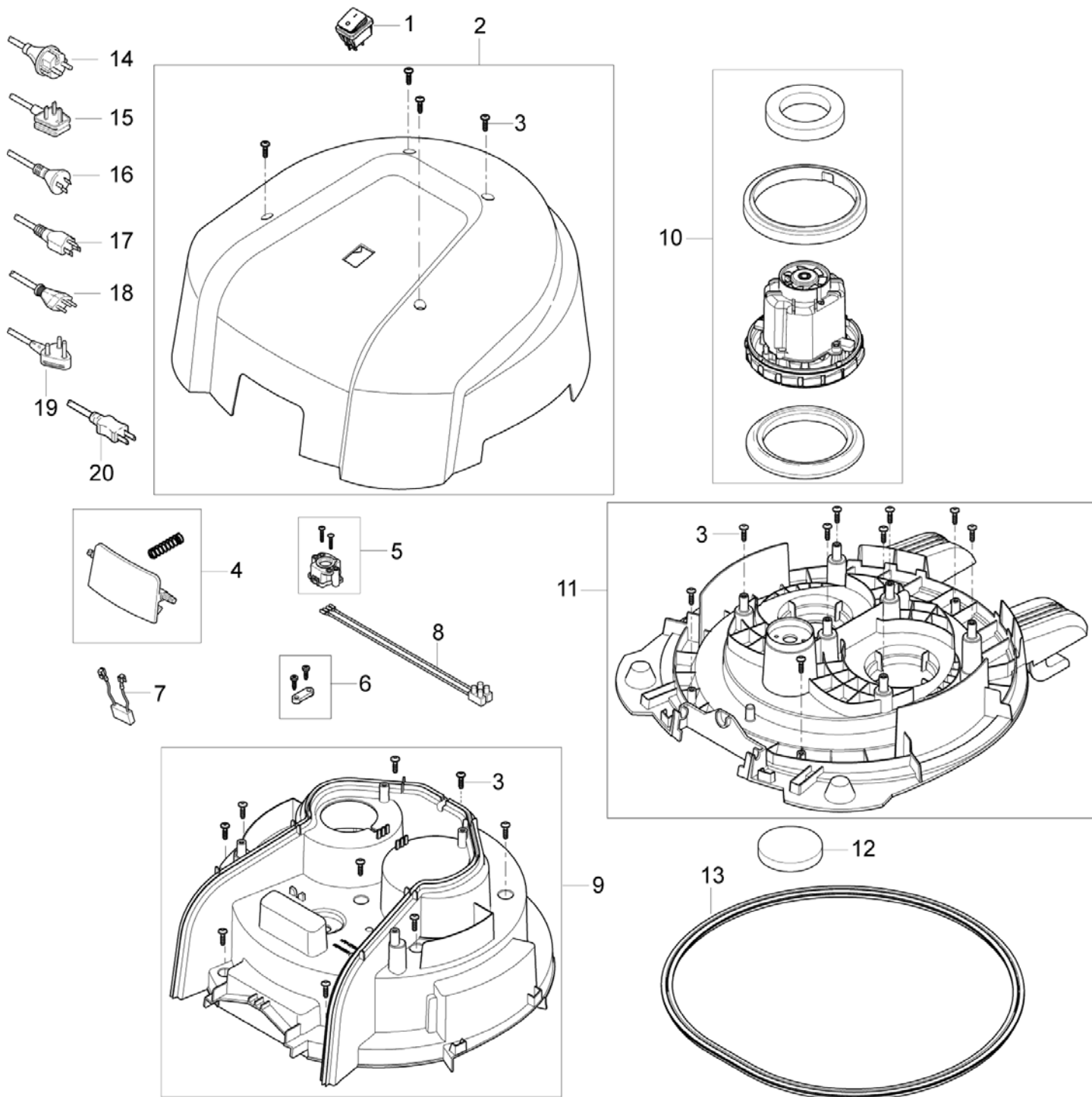
VL500-75

16-02-2015

Part List ID

VL50004

3



# Top 55-1, 75-1

## VL500-75

16-02-2015

Part List ID  
VL50004

4

Pos	Part no.	Qty	Description
0	107410811	1	PACKAGING VL500 55 ERGO - KIT
0	107410812	1	PACKAGING VL500 75 ERGO - KIT
01	107404540	1	SWITCH 0-1 DOUBLE POLE SET
02	107407243	1	HOOD 75-55L 1 SWITCH VL500
03	302003704	13	SCREW EJOT DELTA PT50X18WN5451
04	107407235	1	CLAMP F. 75-55-35 L BIN VL500
05	107407237	1	VACUUM VALVE CPL.
06	140 6560 500	1	ANTI STRAIN CLIP
07	48338	1	ANTI-INTERFERENCE CAPACITOR
08	140 7042 500	1	WIRE INTERNAL FOR GWD 300
09	107407245	1	CLAMPING PLATE 55-75-1 VL500
10	302003384	1	MOTOR KIT 1200W 230V
10	302003388	1	MOTOR KIT 1000W 120V US JP
11	107407247	1	BASEPLATE 75-55L 1 MOTOR VL500
12	140 8682 500	1	MOTOR FILTER
13	107407249	1	GASKET F. BASEPLATE 75-55L
14	12222501	1	CORD SET EU L 10M
15	140 8262 020	1	CORD SET BLACK 10.5M UK-PLUG
16	140 8262 010	1	CORD SET 10.5 M AU PLUG
17	107401614	1	CORD SET US/TW 3C 15.5M YELLOW
18	12222507	1	CORD SET CH L 10M
19	107407242	1	POWER CORD H05VV-F 2X1.00 SABS 164-1 16A ZA
20	140 6702 500	1	CORD SET JP 15.5M

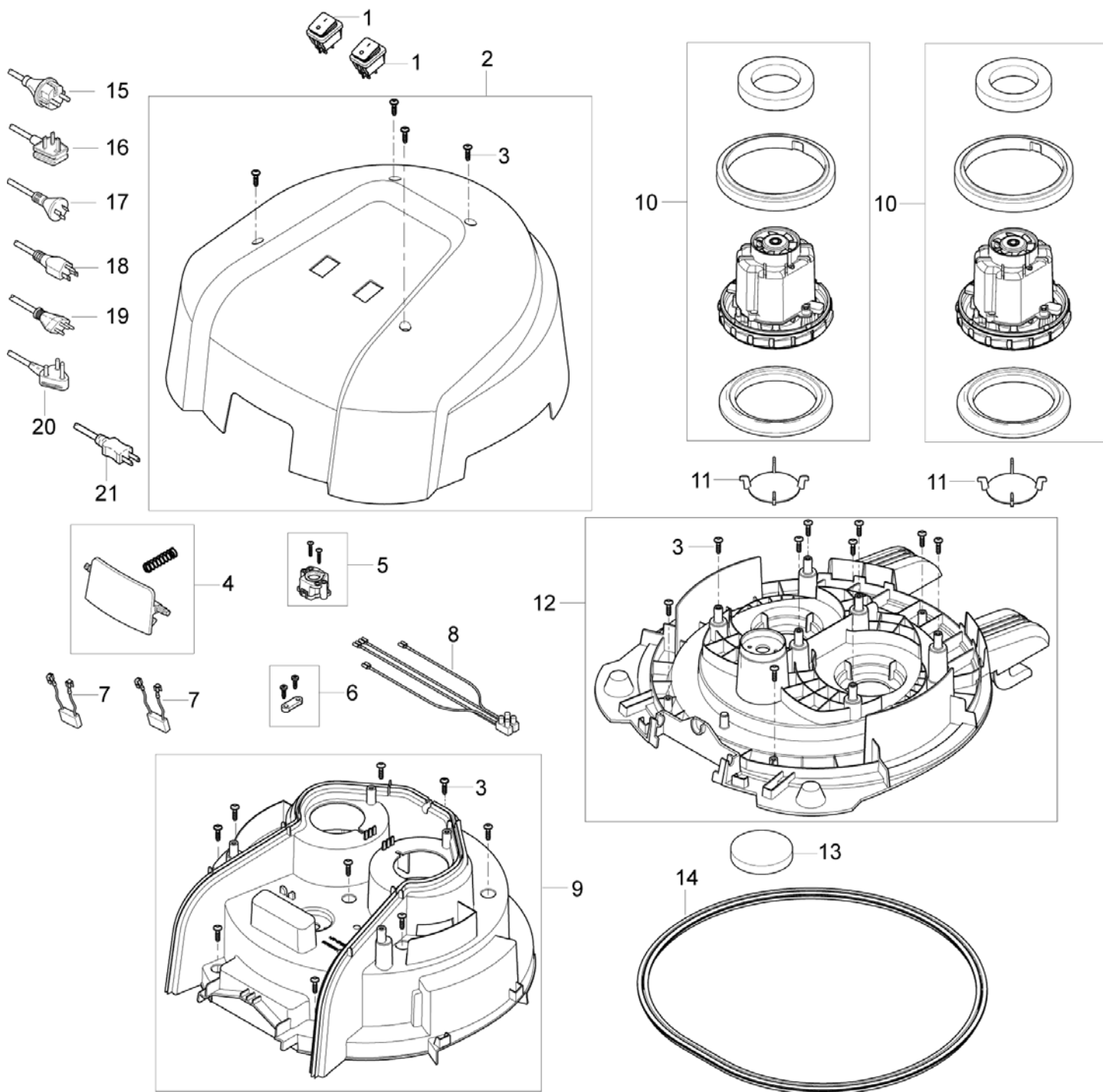
# Top 55-2, 75-2

VL500-75

16-02-2015

Part List ID  
VL50006

5



# Top 55-2, 75-2

VL500-75

16-02-2015

Part List ID  
VL50006

6

Pos	Part no.	Qty	Description	
0	107410811	1	PACKAGING VL500 55 ERGO - KIT	
0	107410812	1	PACKAGING VL500 75 ERGO - KIT	
01	107404540	2	SWITCH 0-1 DOUBLE POLE SET	
02	107407250	1	HOOD 75-55 L - 2 SWITCHES VL500	
03	302003704	13	SCREW EJOT DELTA PT50X18WN5451	
04	107407235	1	CLAMP F. 75-55-35 L BIN VL500	
05	107407237	1	VACUUM VALVE CPL.	
06	140 6560 500	1	ANTI STRAIN CLIP	
07	48338	1	ANTI-INTERFERENCE CAPACITOR	
08	140 7620 530	1	SUPPRESSOR EU/UK/AU/NZ	
08	140 7620 540	1	SUPPRESSOR US UL-LIST	
09	107407252	1	CLAMPING PLATE 55-75-2 VL500	
10	302003384	1	MOTOR KIT 1200W 230V	
10	302004006	1	MOTOR 1200W/100V JP W.GASKET	
11	140 9526 500	1	VALVE DISC GWD 350/375	
12	107407254	1	BASEPLATE 75-55L 2 MOTOR VL500	
13	140 8682 500	1	MOTOR FILTER	
14	107407249	1	GASKET F. BASEPLATE 75-55L	
15	12222501	1	CORD SET EU L 10M	
16	140 8262 010	1	CORD SET 10.5 M AU PLUG	
17	107401614	1	CORD SET US/TW 3C 15.5M YELLOW	
19	12222507	1	CORD SET CH L 10M	
20	107407242	1	POWER CORD H05VV-F 2X1.00 SABS 164-1 16A	ZA
21	140 6702 500	1	CORD SET JP 15.5M	

# Container 75 BSF, BDF

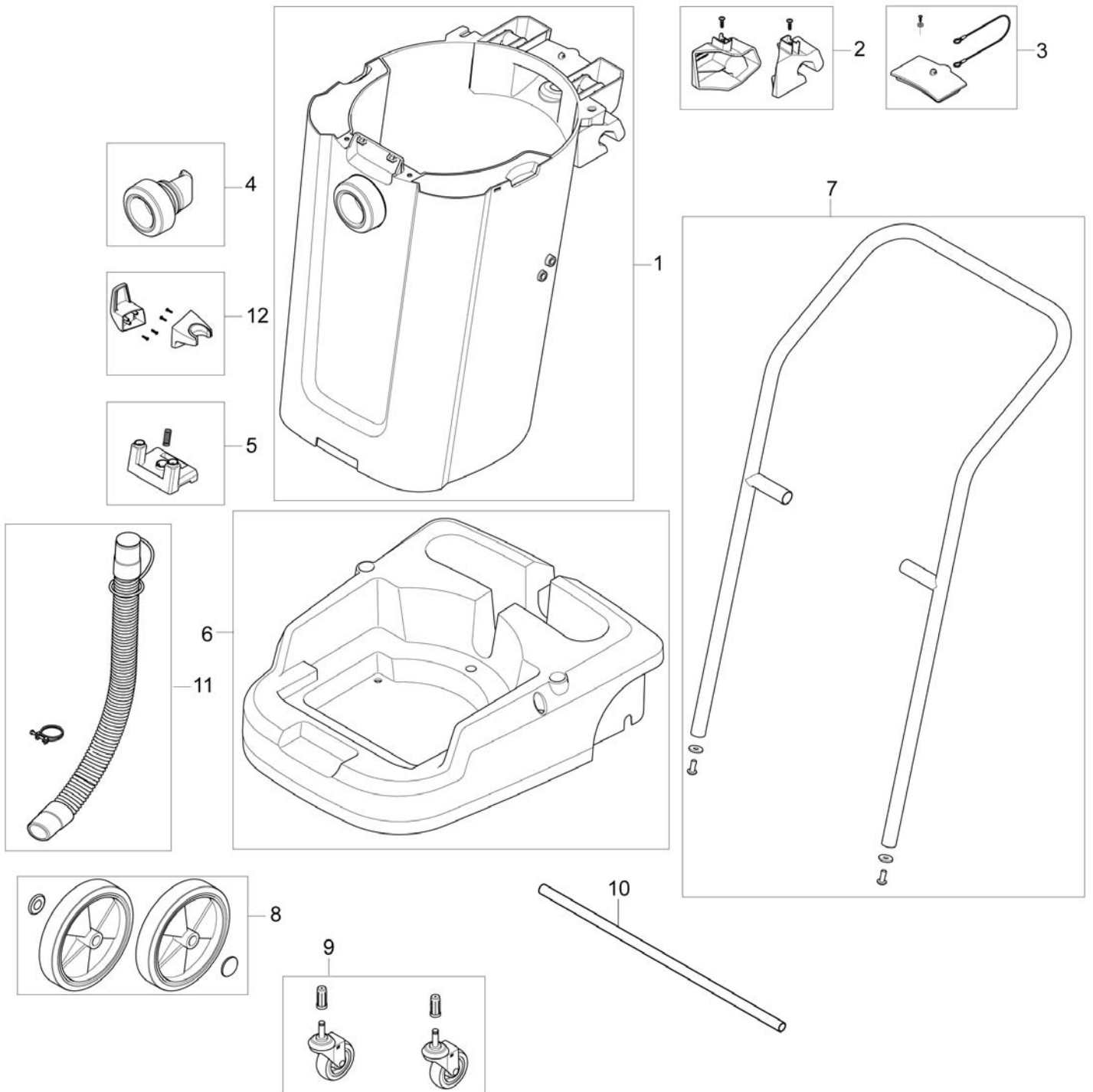
VL500-75

16-02-2015

Part List ID

VL50012

7



# Container 75 BSF, BDF

VL500-75

16-02-2015

Part List ID  
VL50012

8

Pos	Part no.	Qty	Description
01	107407274	1	CONTAINER 75L VL500
02	107407276	1	BRACKET LEFT-RIGHT F. 75L
03	107407266	1	SPOUT CAP
04	107407258	1	INLET ROUND VL500
05	107407280	1	PUSH-BUTTON F. EASY-TILT 75L VL500
06	107407269	1	FRAME F. BASIC TROLLEY VL500
07	107407282	1	HANDLE F. BASIC TROLLEY 75L
08	140 9543 500	1	REAR WHEEL
09	140 5476 500	1	WHEEL LINK TROLLEY 2-P
10	107407272	1	WHEEL 200MM WITH AXLE
11	107407307	1	DRAINHOSE F. 75L BIN
12	107408911	1	CABLE HOOK AND TUBE HOLDER VL500



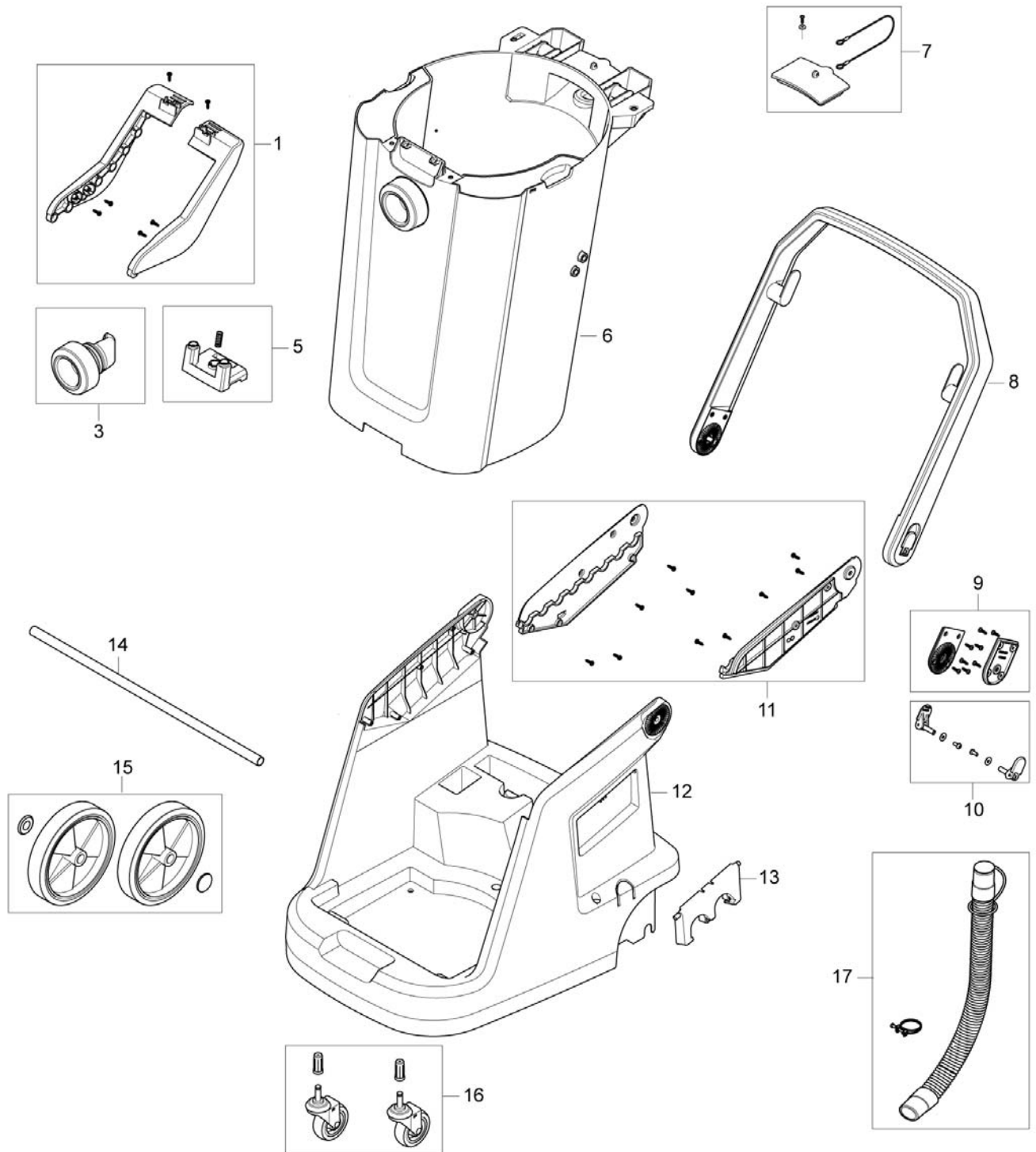
# Container 75 EDF

VL500-75

16-02-2015

Part List ID  
VL50018

9



# Container 75 EDF

VL500-75

16-02-2015

Part List ID  
VL50018

10

Pos	Part no.	Qty	Description
01	107407293	1	EASY TILT 75L BIN LEFT-RIGHT
03	107407258	1	INLET ROUND VL500
05	107407280	1	PUSH-BUTTON F. EASY-TILT 75L VL500
06	107407274	1	CONTAINER 75L VL500
07	107407266	1	SPOUT CAP
08	107407286	1	HANDLE 75L
09	107407287	1	SPLINE CONNECTION F. HANDLE
10	107407288	1	QUICK-RELEASE F. HANDLE
11	107408946	1	EASY TILT TROLLY LEFT-RIGHT
12	107407291	1	FRAME F. ERGO TROLLEY
13	107407292	1	TUBEHOLDER F. TROLLEY
14	107407272	1	WHEEL 200MM WITH AXLE
15	140 9543 500	1	REAR WHEEL
16	140 5476 500	1	WHEEL LINK TROLLEY 2-P

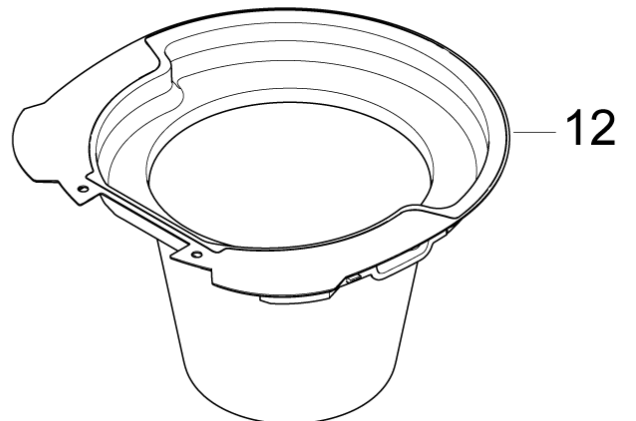
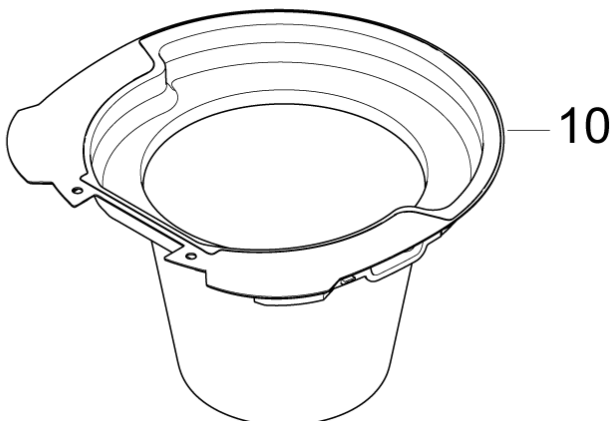
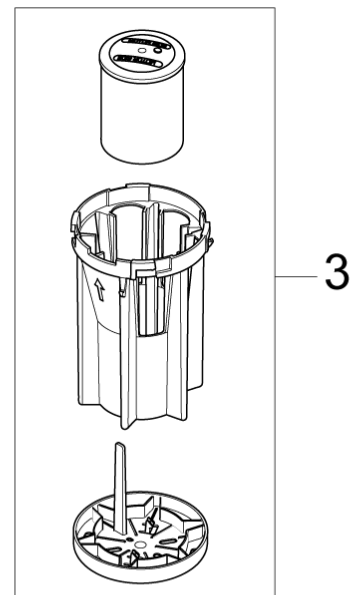
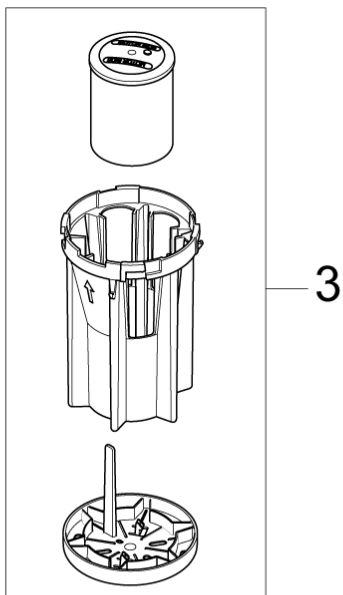
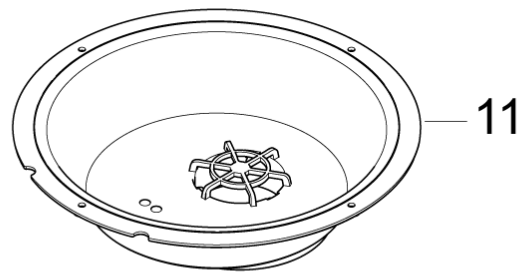
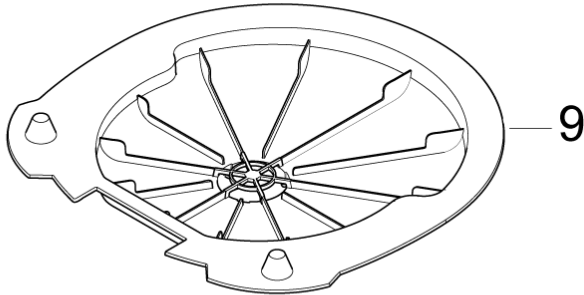
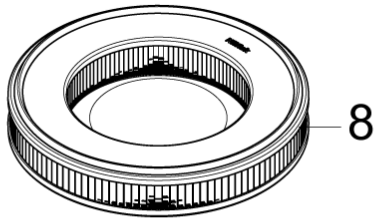
# Filter and bags 55, 75

VL500-75

16-02-2015

Part List ID  
VL50022

11



# Filter and bags 55, 75

VL500-75

16-02-2015

Part List ID  
VL500ZZ

12

Pos	Part no.	Qty	Description	
02	140 8682 500	1	MOTOR FILTER	
03	140 8680 500	1	FLOAT BASKET	
08	107407300	1	CARTRIDGE FILTER	BDF, EDF
09	107407301	1	DRYFILTER BOX	BDF, EDF
10	107407302	1	WET FILTER	BDF, EDF
11	107407303	1	FLOATER ADAPTER 55-75L	BSF
12	107407304	1	SACK FILTER	BSF

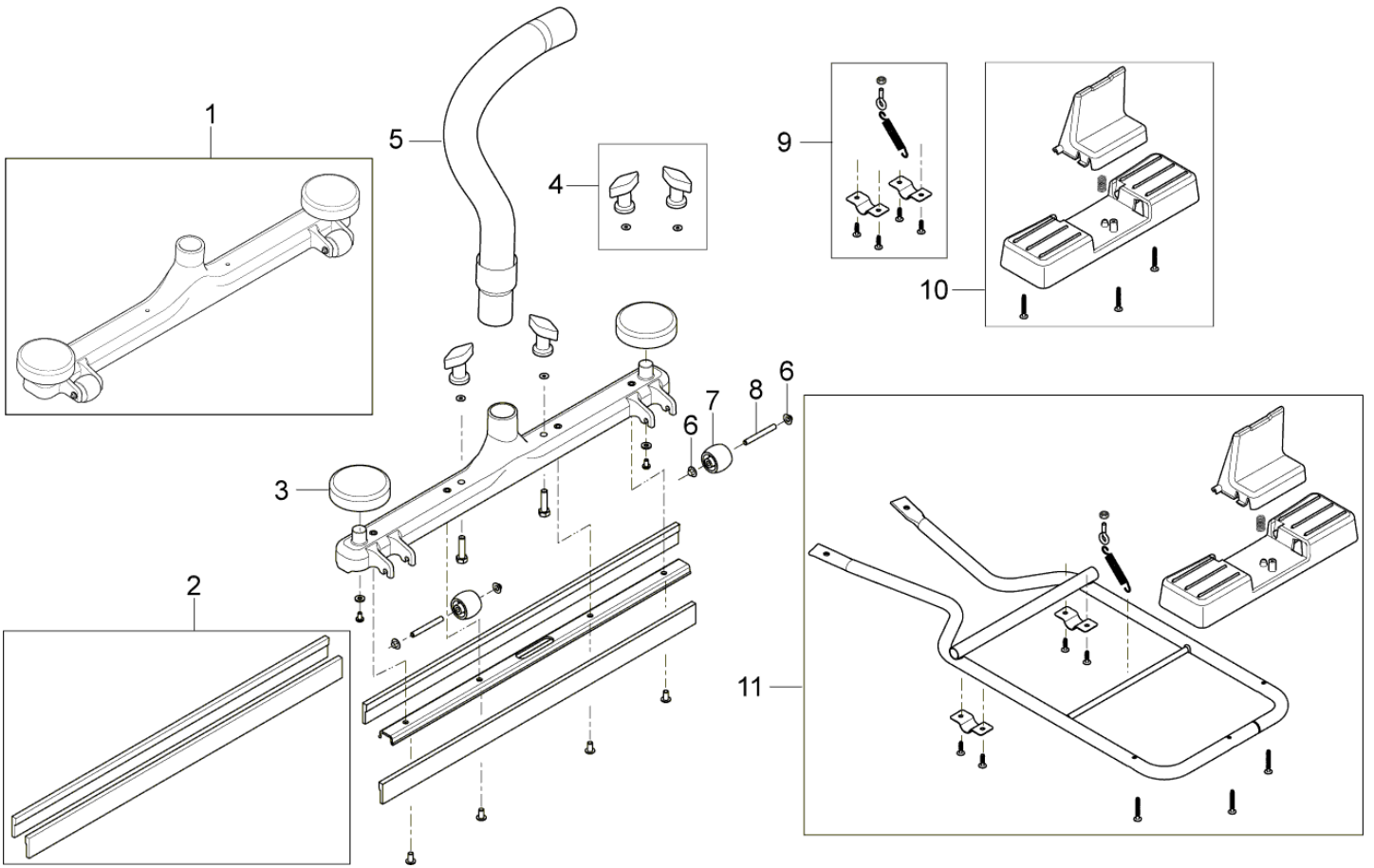
# Squeegee Accessory

VL500-75

16-02-2015

Part List ID  
VL50024

13



# Squeegee Accessory

VL500-75

16-02-2015

Part List ID  
VL50024

14

Pos	Part no.	Qty	Description
0	107407051	1	SQUEEGEE COMPLETE ANTHRACIT
01	56209088	1	SQUEEGEE ASSEMBLY 24
02	56105533	1	BLADE BLUE FOR 24 E00601
03	56209157	2	BUMPER SIDE ROLLER
04	140 7947 500	1	NUT THUMB 5/16
05	107408917	1	HOSE FOR SQUEEGEE
06	56009132	4	NUT PUSH CAP 1/4
07	56329554	2	ROLLER
08	56209150	2	AXLE ROLLER
09	107408918	1	MOUNTING KIT FOR SQUEEGEE
10	107408916	1	PEDAL FOR SQUEEGEE GREY
11	107411346	1	FRAMEKIT FOR SQUEEGEE NOZZLE JET BLACK (Black)

# Accessories

VL500-75

16-02-2015

Part List ID  
VL500ADV12

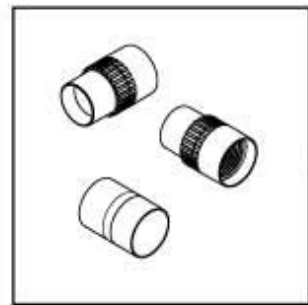
15



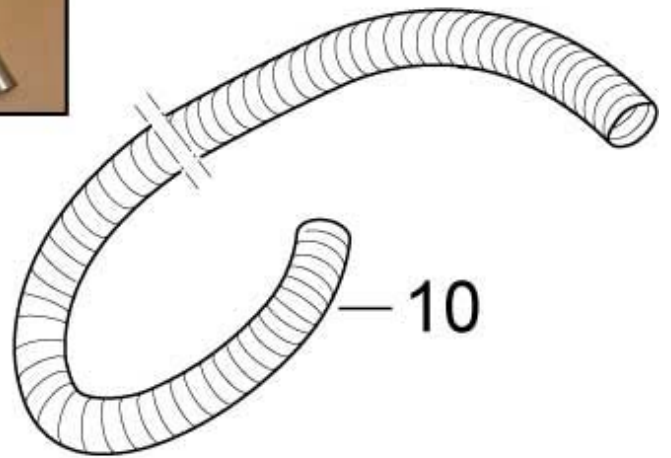
2



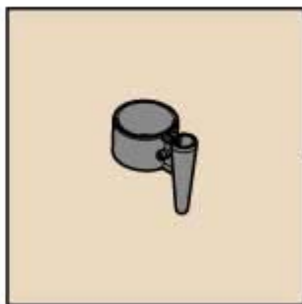
4



9



10



8

# Accessories

VL500-75

16-02-2015

Part List ID  
VL500ADV12

16

Pos	Part no.	Qty	Description
1	302002892	1	FLEECE FILTER BAG PU 5 PCS
2	107407336	1	HOSE D40 2.5M CPL
3	107407338	1	FLOOR NOZZLE D40 RUBBER STRIP
3	107407339	1	FLOOR NOZZLE D40 BRUSH
4	107407337	2	EXTENSION TUBE D40 - SS
5	107408850	1	CREVICE NOZZLE D40
7	107408801	1	PUMP KIT - VL500 220/240V
8	107407335	1	TUBEHOLDER D40
9	20001810	1	HOSE EXTENSION KIT Ø50
10	11984	1	HOSE UNIVERSAL Ø50 EVA PER METRE Hose by meter Ø50 - Min 2M & Max 20M



# Recommended spare parts

VL500-75

16-02-2015

Part List ID

VL50026

17

No Drawing For Part List

# Recommended spare parts

VL500-75

16-02-2015

Part List ID  
VL50026

18

Pos	Part no.	Qty	Description
	107404540	1	SWITCH 0-1 DOUBLE POLE SET
	107407235	1	CLAMP F. 75-55-35 L BIN VL500
	107407237	1	VACUUM VALVE CPL.
	107407249	1	GASKET F. BASEPLATE 75-55L
	107407258	1	INLET ROUND VL500
	107407266	1	SPOUT CAP
	107407276	1	BRACKET LEFT-RIGHT F. 75L
	107407280	1	PUSH-BUTTON F. EASY-TILT 75L VL500
	107407287	1	SPLINE CONNECTION F. HANDLE
	107407288	1	QUICK-RELEASE F. HANDLE
	107407293	1	EASY TILT 75L BIN LEFT-RIGHT
	107407300	1	CARTRIDGE FILTER
	107407301	1	DRYFILTER BOX
	107407302	1	WET FILTER
	107407303	1	FLOATER ADAPTER 55-75L
	107407304	1	SACK FILTER
	107407307	1	DRAINHOSE F. 75L BIN
0	107408946	1	EASY TILT TROLLY LEFT-RIGHT
	12222501	1	CORD SET EU L 10M
	140 5476 500	1	WHEEL LINK TROLLEY 2-P
	140 8680 500	1	FLOAT BASKET
	140 8682 500	1	MOTOR FILTER
	140 9526 500	1	VALVE DISC GWD 350/375
	302003384	1	MOTOR KIT 1200W 230V
	302003388	1	MOTOR KIT 1000W 120V
	302003704	1	SCREW EJOT DELTA PT50X18WN5451
	48338	1	ANTI-INTERFERENCE CAPACITOR