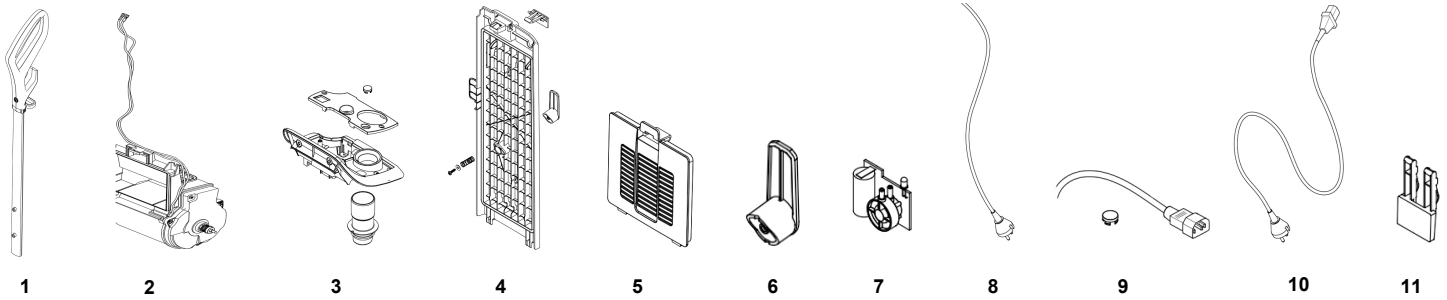


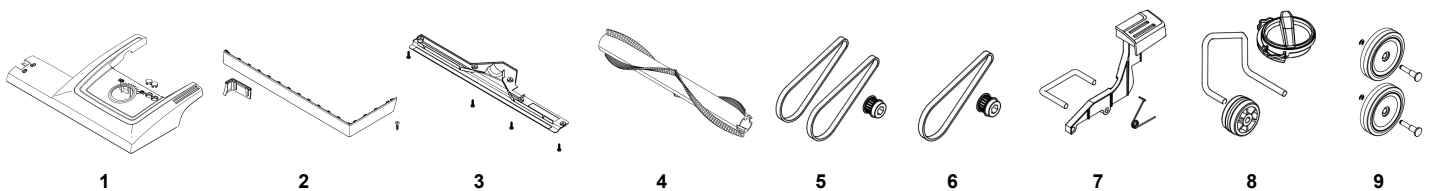


Spectrum™ Upright Vacuums



BODY

#	Description	Spectrum 12H	Spectrum 12P	Spectrum 15P	Spectrum 15D	Spectrum 18D	Pricing
		Parts Number					
1	Handle			147 0833 500			
2	Motor Cassette			147 0984 510			
3	Top Cover - Carrying Handle			147 0842 510			
4	Dust Lid			147 0857 510			
5	Cover Exhaust Filter Gray			147 0965 500			
6	Cord Hook			147 0852 500			
7	"Dust Bag Full" Indicator			147 0987 500			
8	Yellow 15M Cord Set			140 3859 640			
9	Pigtail Set	107403708					
10	Extension Cord	107403709					
11	Main Power Switch			140 5496 510			

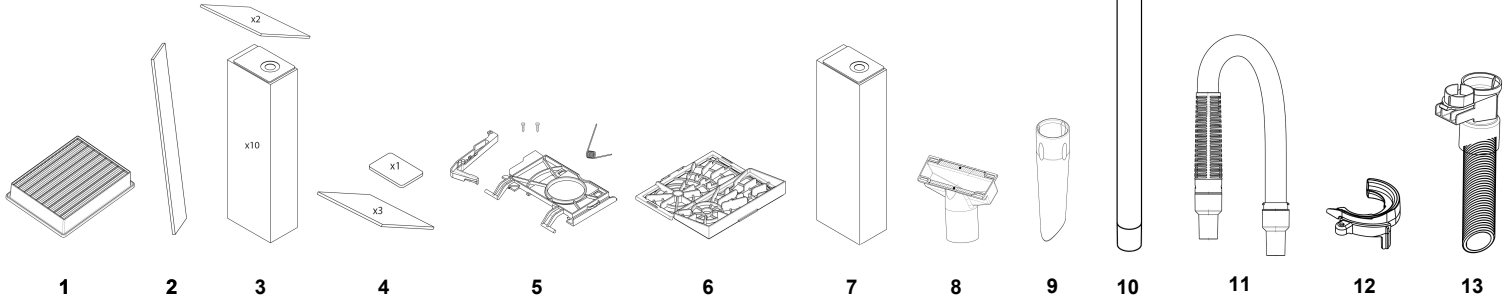


BASE

#	Description	Spectrum 12H	Spectrum 12P	Spectrum 15P	Spectrum 15D	Spectrum 18D	Pricing
		Parts Number					
1	Cover Brush House Grey	147 0924 600	147 0924 500	147 0925 500	147 0925 600	147 0926 500	
2	Bumper Kit	147 0886 500	147 0886 500	147 0889 500	147 0889 500	147 0892 500	
3	Brush Shoe	147 0988 500	147 0986 500	147 0989 500	147 0989 500	147 0990 500	
4	Brush	147 0930 500	147 0930 500	147 0930 510	147 0930 510	147 0930 520	
5	Drive Belt		147 0905 500				
6	Drive Belt				147 0905 510		
7	Pedal			147 0935 500			
8	Brush Height Adjustment			147 0901 500			
9	Wheel Kit			147 0898 500			



Spectrum™ Upright Vacuums



BAGS, FILTERS AND TOOLS

#	Description	Spectrum 12H	Spectrum 12P	Spectrum 15P	Spectrum 15D	Spectrum 18D	Pricing
		Parts Number					
1	HEPA Filter, H13			147 1250 600			
2	Exhaust Filter			147 0966 500			
3	Dust Bag - 10 pcs, 2 Pre-Filters, 1 Exhaust Filter			147 1058 500			
4	Pre-Filter Kit			147 0960 500			
5	Holder Dust Bag, Kit			147 0854 500			
6	Holder Pre-Filter, Kit			147 0958 500			
7	Dust Bag, Cloth Re-Usable			147 1059 500			
8	Upholstery Nozzle			147 1205 500			
9	Crevice Tool			147 1203 500			
10	Extension Tube			147 0851 500			
11	Hose			147 0950 500			
12	Tube Holder			147 1062 500			
13	Wand			147 0919 500			