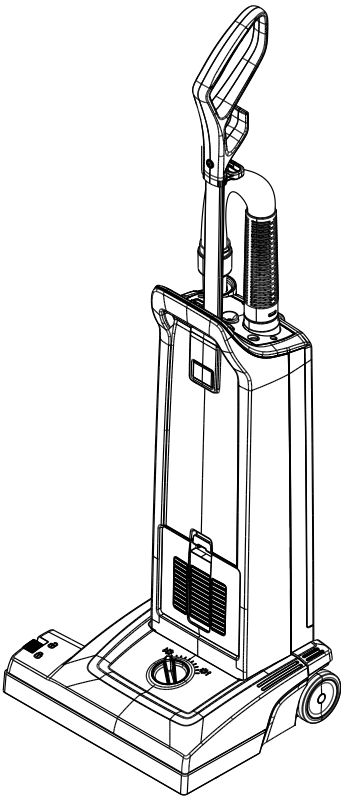


	<b>SPECTRUM 12H, 12S, 12P, 12D, 15S, 15P, 15D, 18D</b>	<b>823 0103 000</b>		
	<b>SPARE PARTS LIST</b>			



**WHEN ORDERING PARTS**

- \* Use the digit numbers from the "Part No." columns in this spare parts list.
- \* Specify the model and serial number of the machine.
- \* Use the space below to record the model and serial number for future reference.

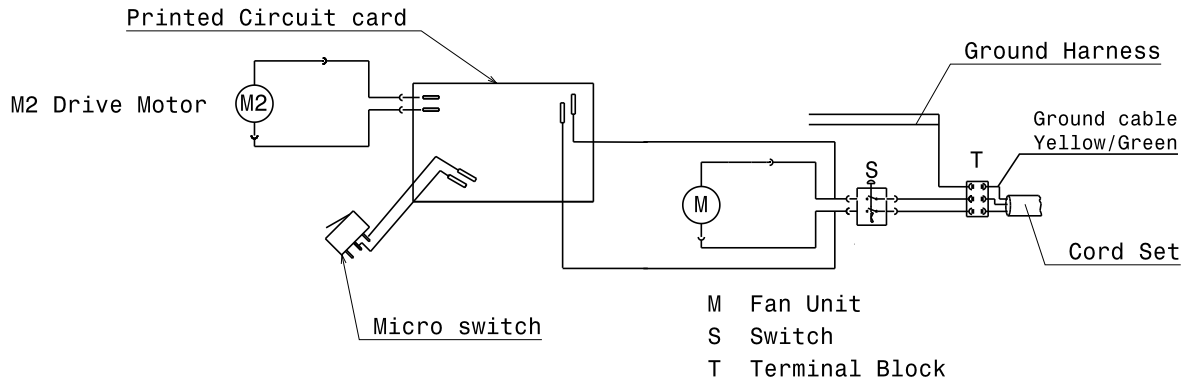
Model \_\_\_\_\_ Serial no. \_\_\_\_\_

[www.advance-us.com](http://www.advance-us.com)

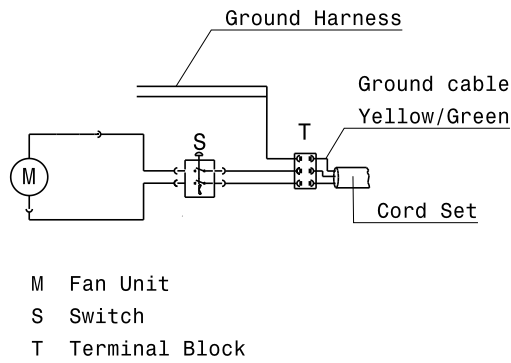
Part number 823 0103 000 P06

<b>823 0103 000</b>		<b>SPECTRUM 12H, 12S, 12P, 12D, 15S, 15P, 15D, 18D</b>	<b>11-11</b>
<b>2</b>		<b>WIRING DIAGRAMS</b>	

### Double motor version - Grounded



### Single motor version - Grounded



11-11	SPECTRUM 12H, 12S, 12P, 12D, 15S, 15P, 15D, 18D	823 0103 000		
	DESCRIPTION			3

**DESCRIPTION**

**PLAN**

Wiring diagrams and overview

2

Body

4

Brush parts

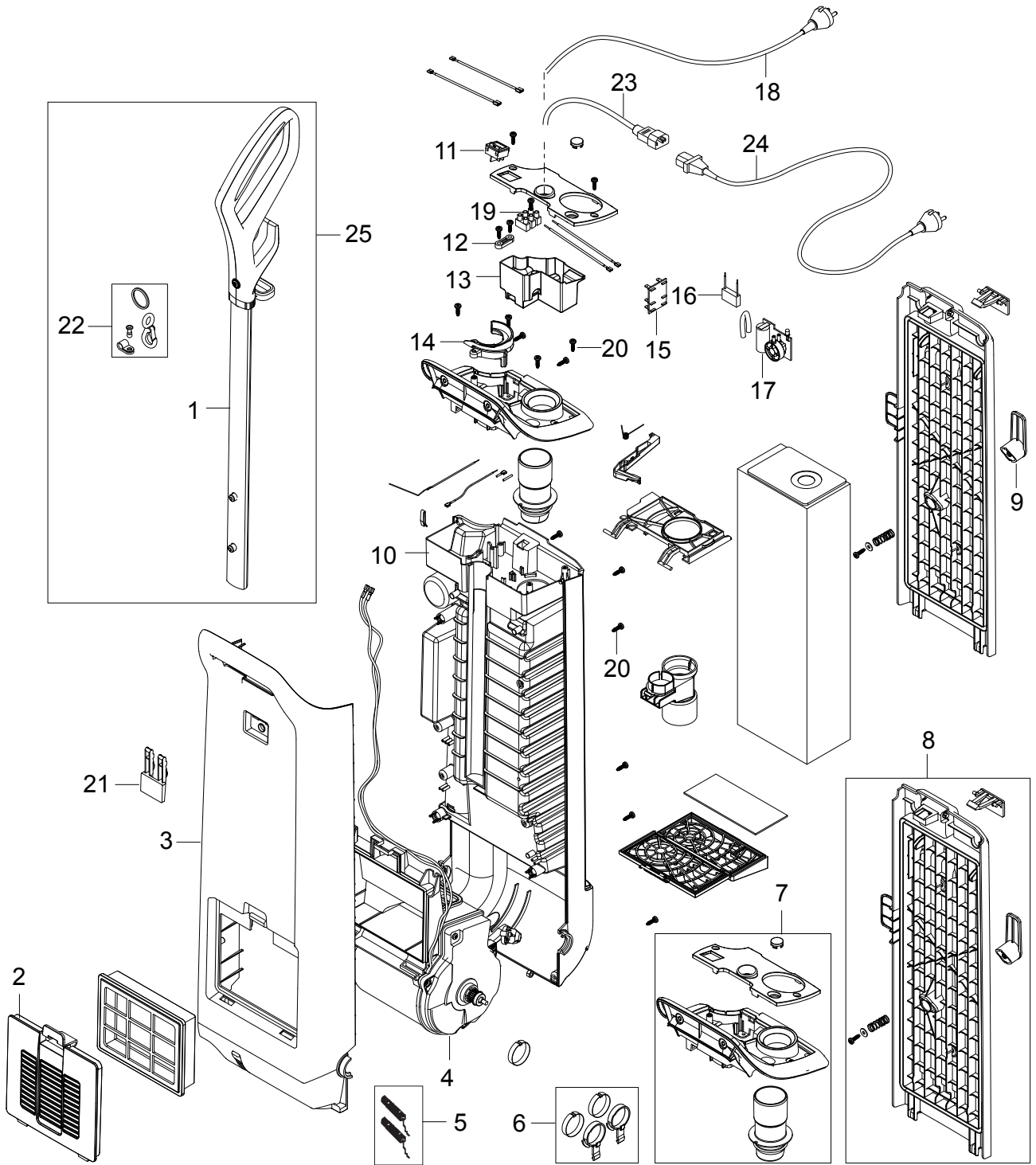
6

Filters

8

Nozzle and tube

10

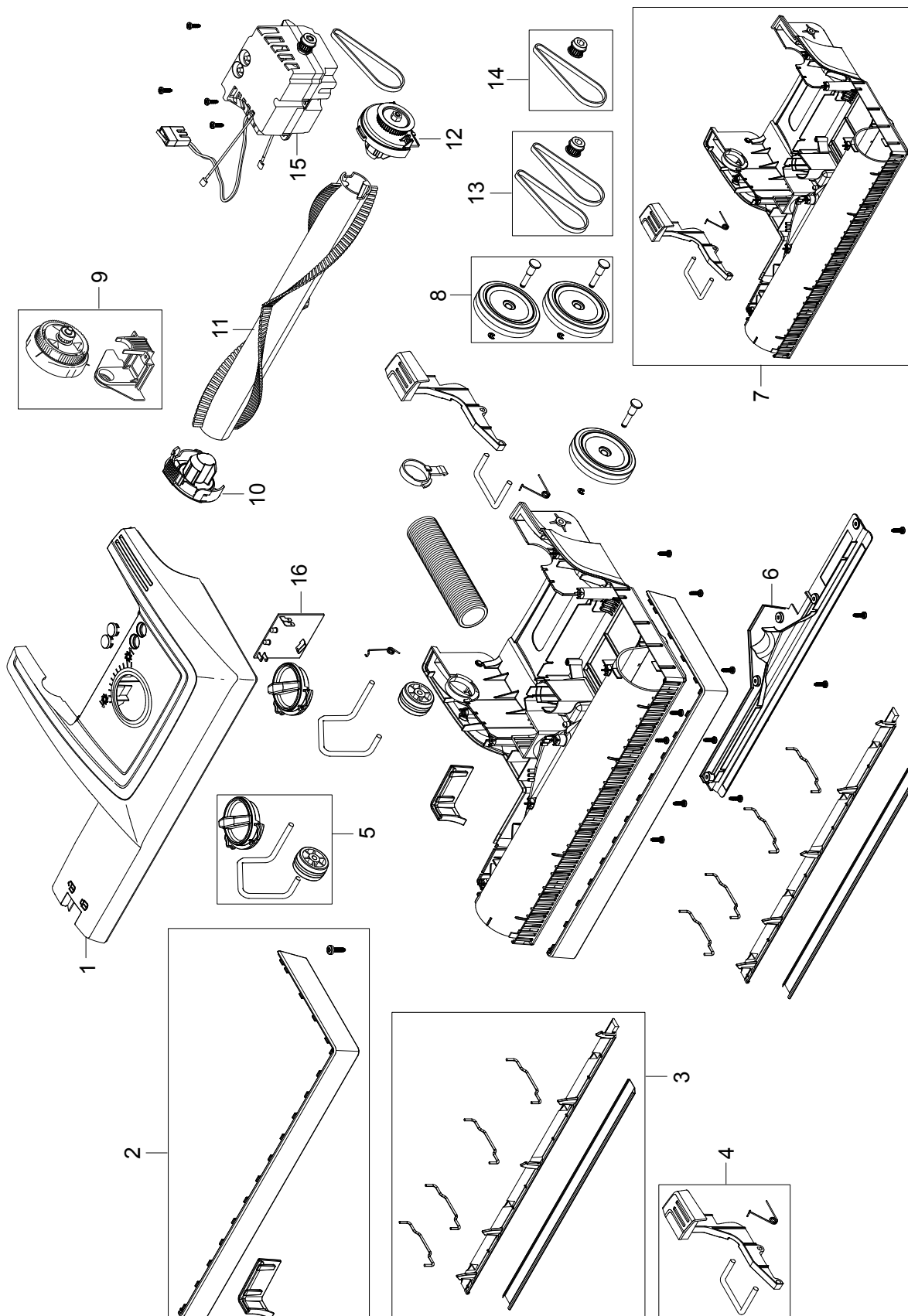


11-11	SPECTRUM 12H, 12S, 12P, 12D, 15S, 15P, 15D, 18D	823 0103 000		
	BODY			5

Item	Part No.	Qty.	Description	Note	EAN Code
1	147 0833 500	1	HANDLE COMPLETE	For all spectrum models except 12H	7319519663266
2	147 0965 500	1	COVER EXHAUST FILTER.GREY		7319519663303
3	147 0847 500	1	COVER BODY FRONT. GREY		7319519664539
4	147 0864 510	1	MOTOR CASSETTE 110-120V		7319519662924
5	147 1326 500	1	CARBON BRUSH KIT	2 pcs.	7319519664591
6	147 0927 500	1	JOINT BASE TO BODY W RING		7319519670639
7	147 0842 500	1	COVER TOP KIT. GREY		7319519663273
8	147 0857 500	1	LID CPL. GREY		7319519663327
9	147 0852 500	1	HOOK FOR CORD		7319519663341
10	147 0850 500	1	COVER BODY REAR		7319519663297
11	140 5496 510	1	SWITCH UL KIT		7319519631739
12	056 1014 060	1	ANTI-STRAIN CLIP BLACK		7319519352368
13	147 0843 500	1	ELECTRIC BOX		7319519662979
14	147 1062 500	1	HOLDER TUBE		7319519663587
15	140 7024 500	1	BOARD ANTI STATIC	Not for US versions	7319519632590
16	140 8166 010	1	CAPACITOR	Not for US versions	7319519603712
17	147 0987 500	1	BAG FULL DEVICE		7319519675108
18	140 3859 640	1	CORD SET US/TW 15M YELLOW		7319519663570
19	82240100	1	TERMINAL BLOCK 3-POLE	For grounded versions	7319519493078
20	140 9214 040	1	SCREW PTK TORX 40x14MM FZB	Packet contains 22 screws	7319519418606
21	107401794	1	MUSTANG BUTTON BLACK		5703887107569
22	107403706	1	CORD RELIEF KIT 12H	12H	5703887113874
23	107403708	1	PIGTAIL SET US Spectrum 12H	12H	5703887113867
24	107403709	1	EXTENSION CORD Spectrum 12H	12H	5703887113850
25	107404752	1	HANDLE KIT WITH CORD RESTRAINT	For Spectrum 12H only	5703887113591

**Note!**

> Means: New or changed part number or and changed specification



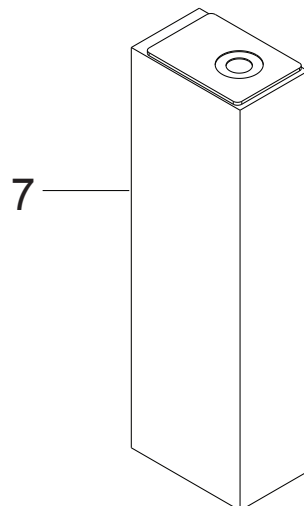
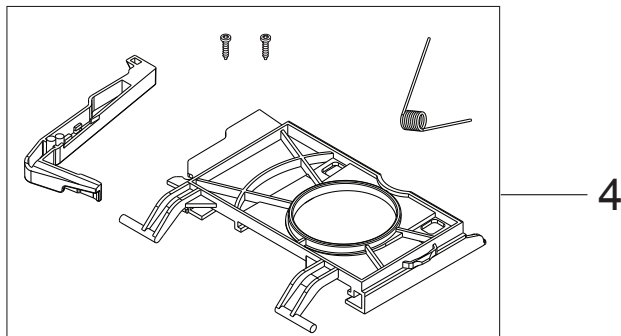
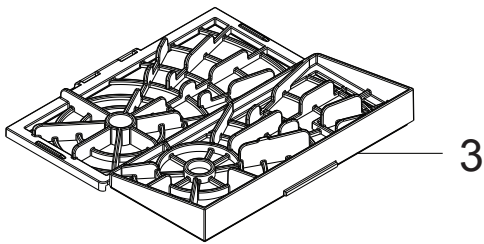
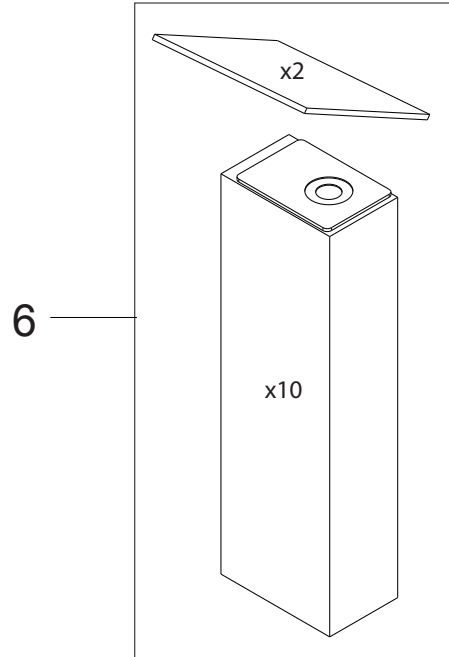
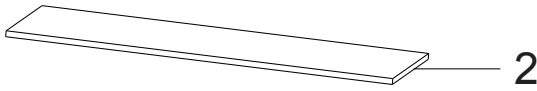
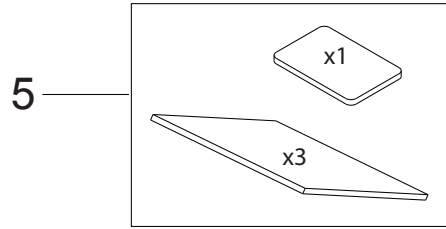
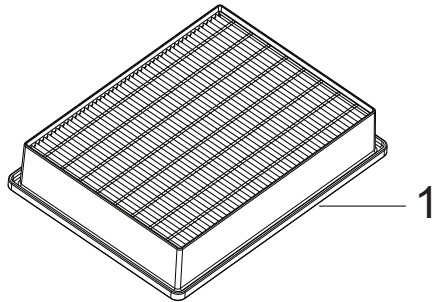
11-11	SPECTRUM 12H, 12S, 12P, 12D, 15S, 15P, 15D, 18D	823 0103 000		
11-12	BASE			7

Item	Part No.	Qty.	Description	Note	EAN Code
1	147 0924 500	1	COVER BRUSH HOUSE. GREY	12", Single	7319519664492
1	147 0924 600	1	COVER BRUSH HOUSE. GREY	12", Dual	7319519664508
1	147 0925 500	1	COVER BRUSH HOUSE.GREY	15", Single	7319519663105
1	147 0925 600	1	COVER BRUSH HOUSE. GREY	15", Dual	7319519663624
1	147 0926 500	1	COVER BRUSH HOUSE GREY	18", Dual	7319519664515
>2	107404751	1	BUMPER KIT 12H	SPECTRUM 12H	7319519663211
2	147 0886 500	1	BUMPER KIT 12 INCH/305		7319519663211
2	147 0889 500	1	BUMPER KIT 15 INCH/355		7319519663136
2	147 0892 500	1	BUMPER KIT 18 INCH/455		7319519663235
3	147 0992 500	1	SUPPORT BRUSH KIT 12INCH		7319519663150
3	147 0992 510	1	SUPPORT BRUSH KIT 15INCH		7319519663167
3	147 0992 520	1	SUPPORT BRUSH KIT 18INCH		7319519663174
4	147 0935 500	1	PEDAL W SHAFT AND SPRING		7319519670646
5	147 0901 500	1	ROLLER KIT		7319519663242
6	147 0988 500	1	BRUSH SHOE 12 INCH/305		7319519663181
6	147 0989 500	1	BRUSH SHOE 15/355		7319519663198
6	147 0990 500	1	BRUSH SHOE 18/455		7319519663204
7	147 0885 500	1	CHASSIS 12 INCH /305		7319519663129
7	147 0888 500	1	CHASSIS 15 INCH/355		7319519663228
7	147 0891 500	1	CHASSIS 18 INCH/455		7319519663143
8	147 0898 500	1	WHEEL KIT		7319519663259
9	147 0906 500	1	CLUTCH AND BEARING KIT		7319519663068
10	147 0944 500	1	COVER		7319519663037
11	147 0930 500	1	BRUSH 12 INCH/305		7319519663006
11	147 0930 510	1	BRUSH 15 INCH/355		7319519663013
11	147 0930 520	1	BRUSH 18 INCH/455		7319519663020
12	147 0913 500	1	BEARING		7319519663044
13	147 0905 500	1	DRIVE BELT KIT		7319519663051
14	147 0905 510	1	DRIVE BELT KIT DOUBLE MOTOR		7319519664881
15	147 0984 510	1	MOTOR CASSETTE 100-120V	With Circuit Board and Micro Switch	7319519662955
>15A	147 1170 500	1	MICRO SWITCH KIT	for motor 147 0984 510	5715492087617
16	107401947	1	PCB 120V KIT		5703887108900
16	107401946	1	PCB 230V KIT		5703887108917

**Note!**

> Means: New or changed part number or and changed specification

<b>823 0103 000</b>		<b>SPECTRUM 12H, 12S, 12P, 12D, 15S, 15P, 15D, 18D</b>	<b>11-11</b>
<b>8</b>		<b>FILTERS</b>	<b>10-01</b>

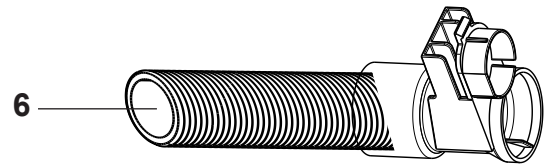
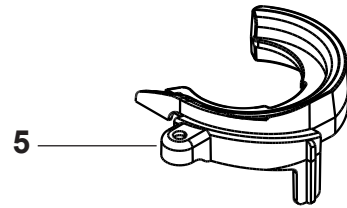
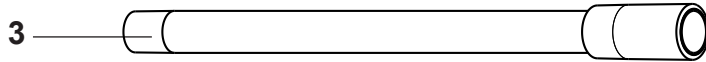
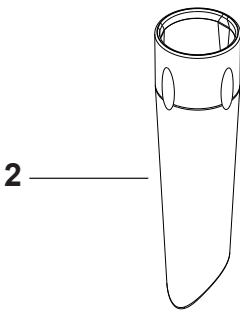
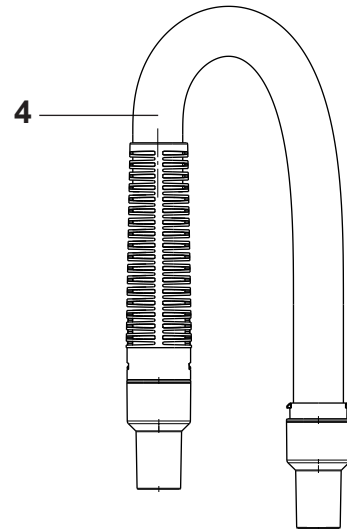
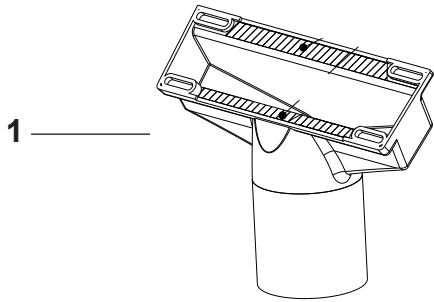




11-11	SPECTRUM 12H, 12S, 12P, 12D, 15S, 15P, 15D, 18D	823 0103 000		
10-01	FILTERS			9

Item	Part No.	Qty.	Description	Note	EAN Code
1	147 1250 600	1	HEPA-FILTER. H13		7319519664522
2	147 0966 500	1	EXHAUST FILTER		7319519663365
3	147 0958 500	1	HOLDER PRE FILTER KIT	With 1 pre filter	7319519663402
4	147 0854 500	1	HOLDER DUST BAG KIT		7319519663396
5	147 0960 500	1	PRE FILTER KIT	1 x anti smell paper 3 x pre-filters	7319519663389
6	147 1058 500	1	DUST BAG 408X78 10-P	10 bags, 2 pre-filters	7319519663372
7	147 1059 500	1	DUST BAG REUSEABLE		7319519664577

<b>823 0103 000</b>		<b>SPECTRUM 12H, 12S, 12P, 12D, 15S, 15P, 15D, 18D</b>	<b>11-11</b>
<b>10</b>		<b>NOZZLES AND TUBE</b>	<b>08-08</b>



11-11	SPECTRUM 12H, 12S, 12P, 12D, 15S, 15P, 15D, 18D	823 0103 000		
08-08	NOZZLES AND TUBE			11

Item	Part No.	Qty.	Description	Note	EAN code
1	147 1205 500	1	Upholstery nozzle Ø 35 mm		7319519663419
2	147 1203 500	1	Crevice nozzle Ø 35 mm	Soft	7319519663426
3	147 0851 500	1	Extension tube Ø 35 mm		7319519664478
4	147 0950 500	1	Hose stretchable		7319519663440
5	147 1062 500	1	Tube holder	For the extension tube	7319519663587
6	147 0919 500	1	Adapter, base to tube w.hose	Hose from the base	



**USA**

Nilfisk-Advance Inc.  
14600 21st Avenue North  
Plymouth, MN 55447-3408  
Tel.: (763) 745 3500  
Fax : (763) 745 3718

**Canada**

Nilfisk-Advance Canada  
240 Superior Boulevard  
Mississauga, ON L5T 2L2  
Tel.: 905-564-1149  
Fax: 905-564-1030

[www.mn.nilfisk-advance.com](http://www.mn.nilfisk-advance.com)

© 2011 Nilfisk-Advance