



ZF1201-N_4-F_

ONE-PIECE COMBINATION FOOT/FACEPLATE
EZCARRY® HORIZONTAL HIGH PERFORMANCE
SIPHON JET NO-HUB WATER CLOSET CARRIER SYSTEM

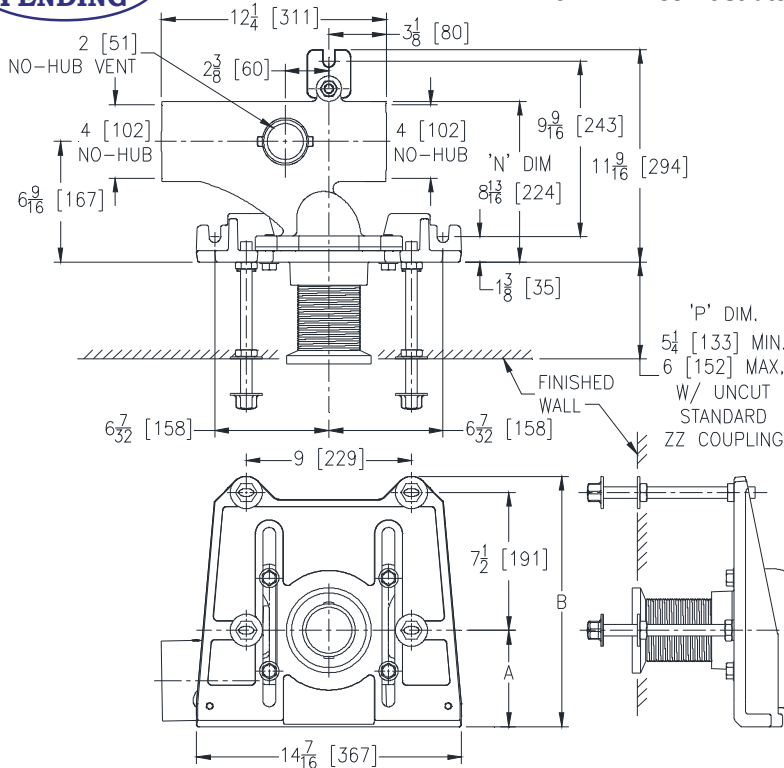
SPECIFICATION SHEET

TAG _____

Dimensional Data (inches and [mm]) are Subject to Manufacturing Tolerances and Change Without Notice

**PATENT
PENDING**

ZF1201-NR4-F55 Illustrated



Product Number	Approx. Wt. lbs [kg]	Dimensions in Inches [mm]	
		A	B
ZF1201-NL4-F55	72 [33]	5-1/2 [140]	13-7/8 [352]
ZF1201-NR4-F55			
ZF1201-NL4-F75	76 [34]	7-1/2 [191]	15-7/8 [403]
ZF1201-NR4-F75			

Note:

1. Cut ZZ coupling, Min. 'P' Dim. Obtainable=2 [51].
Cut EZ-Set™ Coupling, Min. 'P' Dim. Obtainable=4-1/4 [108] or 2-1/16 [52] for 12 [305] NPT.
2. Feet bolted to floor using min. 1/2 [13] dia. anchors.
3. Rear anchor foot required for secure installation.

ENGINEERING SPECIFICATION: ZURN ZF1201-N_4-F_

EZCarry® One-piece combination floor mounted foot/faceplate horizontal siphon jet water closet carrier system, supplied for () rough-in height, with high performance Dura-Coated cast iron main fitting with hydro-mechanically optimized sweep, 4" [102 mm] no-hub connections and extended 2" [51 mm] vent. Corrosion resistant, adjustable 3" [76 mm] dia. X 6" [152 mm] coupling with integral test cap, designed to increase flow velocity and line carry, and labor saving "Neo-Seal" bonded gasket optimizes flow performance while reducing installation steps. Complete system includes one-piece combination foot/faceplate; heavy-duty 1/2" [13 mm] rear anchor tie down; fixture bolts, trim and stud protectors. EZCarry® one-piece combination floor mounted foot/faceplate system complies with all applicable requirements of ASME A112.6.1M up to a 500 lbs [227 kg] maximum static load.

OPTIONS (Check/specify appropriate options)

- ___ ZF1201-NL4-F55 4 [102] No-Hub Left Hand Inlet with Flow to Right with 5-1/2 [140] Non-Adjustable Rough-In Height
- ___ ZF1201-NR4-F55 4 [102] No-Hub Right Hand Inlet with Flow to Left with 5-1/2 [140] Non-Adjustable Rough-In Height
- ___ ZF1201-NL4-F75 4 [102] No-Hub Left Hand Inlet with Flow to Right with 7-1/2 [191] Non-Adjustable Rough-In Height
- ___ ZF1201-NR4-F75 4 [102] No-Hub Right Hand Inlet with Flow to Left with 7-1/2 [191] Non-Adjustable Rough-In Height

PREFIXES

- ___ ZF D.C.C.I. System with Zurn ZZ Adjustable Coupling*
- ___ ZQF D.C.C.I. System with NPT Faceplate, Non-Adjustable Coupling

SUFFIXES

- ___ -A Auxiliary Support Assembly
- ___ -CC Corrosion Resistant Cast Iron Coupling (2-1/4 to 12 [57 to 305])
- ___ -CE EZ-Set™ Coupling (NPSM 6 [152] ,12 [305] or custom) (NPT 12 [305] or custom)
- ___ -CL Custom Length Standard Coupling with Integral Test Cap (Specify Length 4, 8, 10, 12 [102, 203, 254, 305])
- ___ -CS 2-1/4 [57] Polymer Coupling with Integral Test Cap (ZZ Coupling Only)
- ___ -F Floor Mounted, Back Outlet Fixture Support
- ___ -G Galvanized Cast Iron
- ___ -JC 2 [51] Auxiliary Inlet with 1/8 [3] Bend
- ___ -M Auxiliary Foot Support (for 'P' Dim. 10 thru 18 [254 thru 457])
- ___ -VP Vandal-Proof Trim
- ___ -45 Finishing Frame for Siphon Jet System
- ___ -50 Flush Valve Supply Support for Water Closets

* Regularly furnished unless otherwise specified.