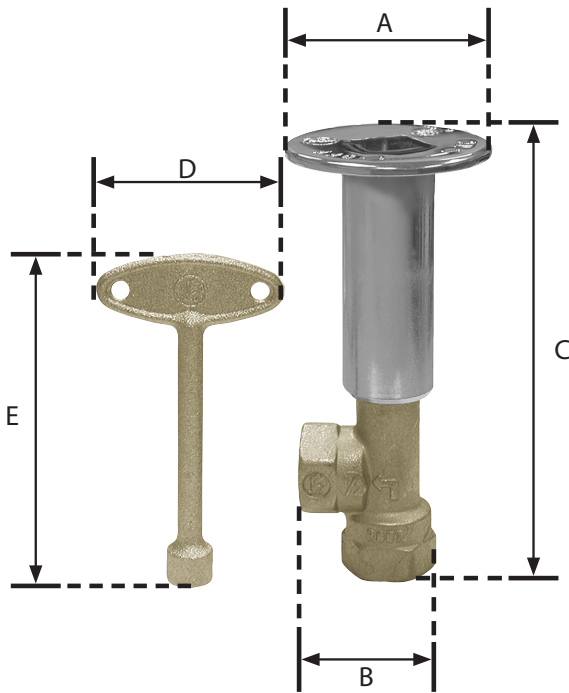


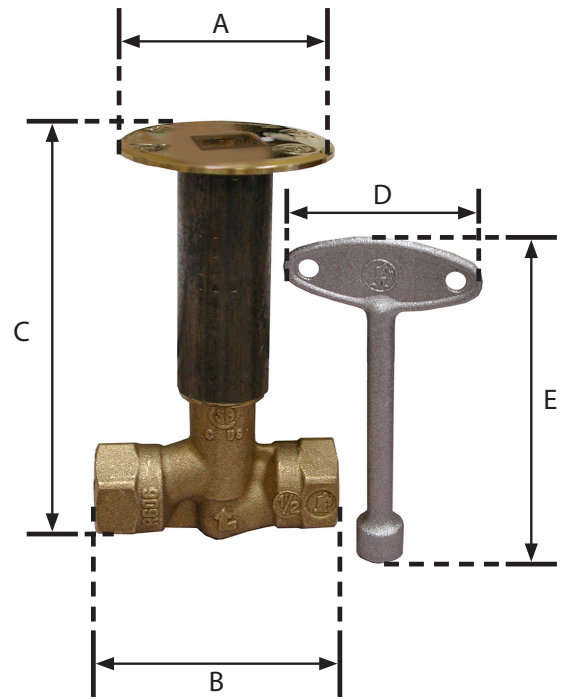


STANDARD LOG LIGHTER VALVE

- CSA design certified
- Brass Escutcheon
- 1/4 Key included
- Individually tested (pressure test in open and closed position after installation)
- BTU rating: angle 188,000, straight 120,000
- To extend escutcheon use 1/2" pipe coupling and 1/2" pipe nipple



Angle Standard Valve



Straight Standard Valve

Part No.	Material	Description	IPS	A	B	C	D	E
L75001	Chrome Plated	Angle	0.50"	2.15"	1.60"	4.00"	2.10"	3.56"
L75002	Polished Brass	Angle	0.50"	2.15"	1.60"	4.00"	2.10"	3.56"
L75006	Chrome Plated	Straight	0.50"	2.15"	2.10"	3.62"	2.10"	3.56"
L75007	Polished Brass	Straight	0.50"	2.15"	2.10"	3.62"	2.10"	3.56"