



**1101 McKinley Street
Anoka, MN 55303
Phone (763) 786-6682
Fax (763) 786-2167**

Part Name: Female Header Fitting
Series 412 C360 Brass, Aluminum Bronze, T304, T316, Stainless Steel

Design

The POLY-CAM Female Header Fitting is a barbed mechanical designed, which is hydraulically compressed onto the polyethylene or pipe quality copolymer material. It is fused in the to wall of pipe. This low profile designs allows probes and meters to be inserted without a longer reaching arm. Also in came be installed in caps for greater reductions.

Sizes range from .5" to 2" NPT. All National Pipe Threads are made to ANSI/ASME B1.20-1983 R 1992.

System Performance

The transition fitting is designed to handle the pressure rating of the HDPE pipe with a 2:1 safety factor at 73.40 degrees Fahrenheit with a minimum 50 year design life.

Quality Assurance

The transition fitting shall be manufactured by Poly-Cam, Inc. Poly-Cam, Inc. shall provide quality assurance with regards to proper installation, compatibility, performance, and acceptance. Transition joint meets or exceeds the requirements of ASTM D2513 Category 3. Upon request Poly-cam can install a stainless steel insert to meet ASTM 2513 Category 1. All Fittings meet ARRA requirements. Manufactured in United States of America.

Installation

HDPE pipe end: Install transition fitting so as to comply with the pipe manufacturer's recommended procedures. All field welds shall be accomplished in accordance with Poly-cam welding procedure for Saddle Socket Fusion. (FP-02-rev3)

Steel Fitting: The entrance of the coupling is tapered at the beginning. The Polyethylene or copolymer material is cold pressed into the coupling. This allows the material to relax into the barb system.

Material

The POLY-CAM Threaded Transition is manufactured of C954 grade Aluminum Bronze (Lead Free material this complies with California AB1953,SB1334 and SB1935), Type 304 or Type 316 (ASTM A249 or ASTM A269) Stainless Steel, and C360 Brass Alloy. It is incorporated with the transition manufactured of HDPE (cell class 345454c) or pipe quality Copolymer material. (pe3408, pe3608 and pe4710). All certification will be submitted upon request.

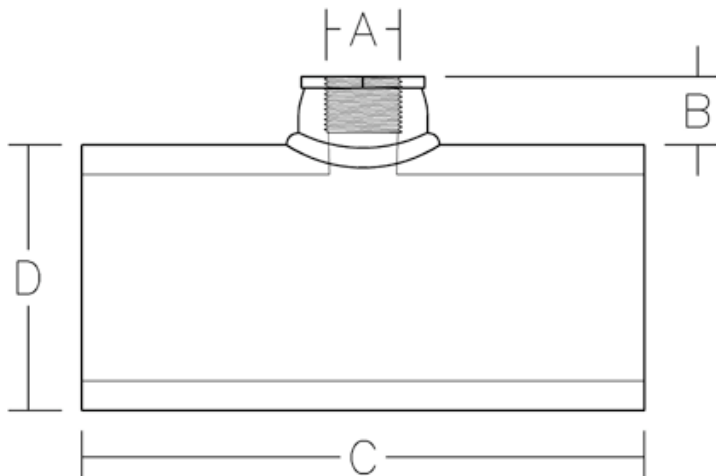
Warranty

Warranty period is one year after date of substantial completion of installation.

Series 412
The NPT Female
Header Fitting



Nominal Size Inches	Coupling I.D. "A"	Coupling Height "B"	HDPE Length "C"	HDPE O.D. "D"
0.5	0.71	0.4	*	>2.0
0.75	0.87	0.4	*	>3.0
1	1.09	0.5	*	>3.0
1.25	1.4	0.6	*	>4.0
1.5	1.615	0.6	*	>6.0
2	2.12	0.6	*	>6.0
* "C" Dimension customer specification				



Fully pressure rated • Standard SDR sizes 7,9,11,17
 Manufactured to D3035, D1599, D1598, ASTM D3350
 11/00 ® Registered Trademark Poly-Cam, Inc. - US Patent # 5,211,429