

36" Counter-Depth Side-by-Side Refrigerator



300 Series – Stainless Steel B20CS30SNS



B20CS30SNS
Stainless Steel

This counter-depth Side-by-Side refrigerator installs nearly flush in a freestanding cutout, offering uninterrupted stainless steel luxury.

Features & Benefits

Easy clean stainless steel resists smudges and cleans easily.

MultiAirflow™ cooling system boosts air circulation for even temperature throughout.

ENERGY STAR® qualified for energy efficiency.

LED lighting and transparent storage provide ideal visibility throughout.

Dispenses fresh-tasting filtered water, crushed ice and cubed ice.

| General Properties | |
|--------------------------------------|-----------------------|
| Easy Clean Stainless Steel | Yes |
| Water filter | Yes |
| Lighting | LED |
| Defrost process refrigerator section | Frost-free |
| Number of shelves - refrigerator | 4 |
| Adjustable shelves - refrigerator | 1 |
| Shelf material - refrigerator | Tempered glass |
| Type of shelves - refrigerator | Framed Tempered Glass |
| Gallon storage bins | 3 |
| Defrost process freezer section | Automatic |
| Number of drawers - freezer | 2 |
| Adjustable shelves - freezer | 3 |
| Shelf material - freezer | Tempered glass |
| Type of shelves - freezer | Framed Tempered Glass |
| Ice maker | Yes |
| Capacity | |
| Total unit capacity (cu. ft.) – AHAM | 20.2 |
| Refrigerator capacity (cu. ft.) | 13.2 |
| Freezer capacity (cu. ft.) | 6.96 |



| Technical Details | |
|--|---------------------------------|
| Current (A) | 15 A |
| Volts (V) | 115 V |
| Frequency (Hz) | 60 Hz |
| Power cord length (in.) | 76.8 |
| Plug type | 120V-3 prong |
| Dimensions & Weight | |
| Appliance dimensions (H x W x D) (in.) | 69 11/16" x 35 15/16" x 27 1/2" |
| Required cutout size (H x W x D) (in.) | 70" x 36" x 25.9" |
| Net weight (lbs) | 245 lbs |
| Efficiency | |
| Energy consumption (kWh/yr) | 594 kWh |
| Accessories—Included | |
| Included | Egg tray 1 Water Filter |
| Accessories—Optional | |
| Appliance model number | Replacement Water Filter |
| B20CS30SNS/01 | BORPLFTR30 |
| B20CS30SNS/02 | BORPLFTR30 |
| B20CS30SNS/03 | BORPLFTR55 |
| B20CS30SNS/04 | BORPLFTR55 |



Accessories: To purchase Bosch accessories, cleaners & parts please visit www.bosch-home.com/us/store or call 1-800-944-2904 (Mon to Fri 5 am to 6 pm PST, Sat 6 am to 3 pm PST).

Notes: All height, width and depth dimensions are shown in inches. BSH reserves the absolute and unrestricted right to change product materials and specifications, at any time, without notice. Consult the product's installation instructions for final dimensional data and other details prior to making cutout.

Warranties: Please see Use & Care manual or Bosch website for statement of limited warranty.

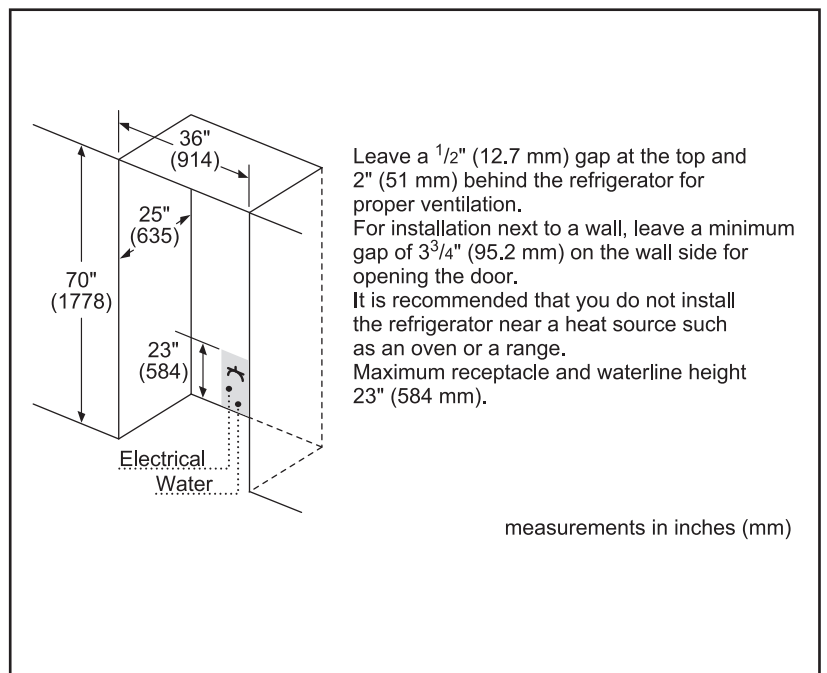
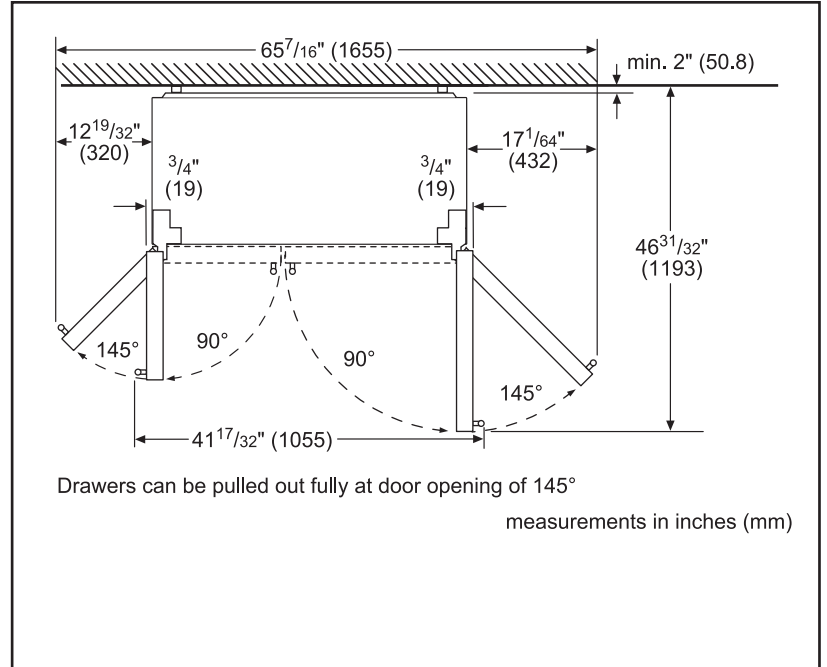
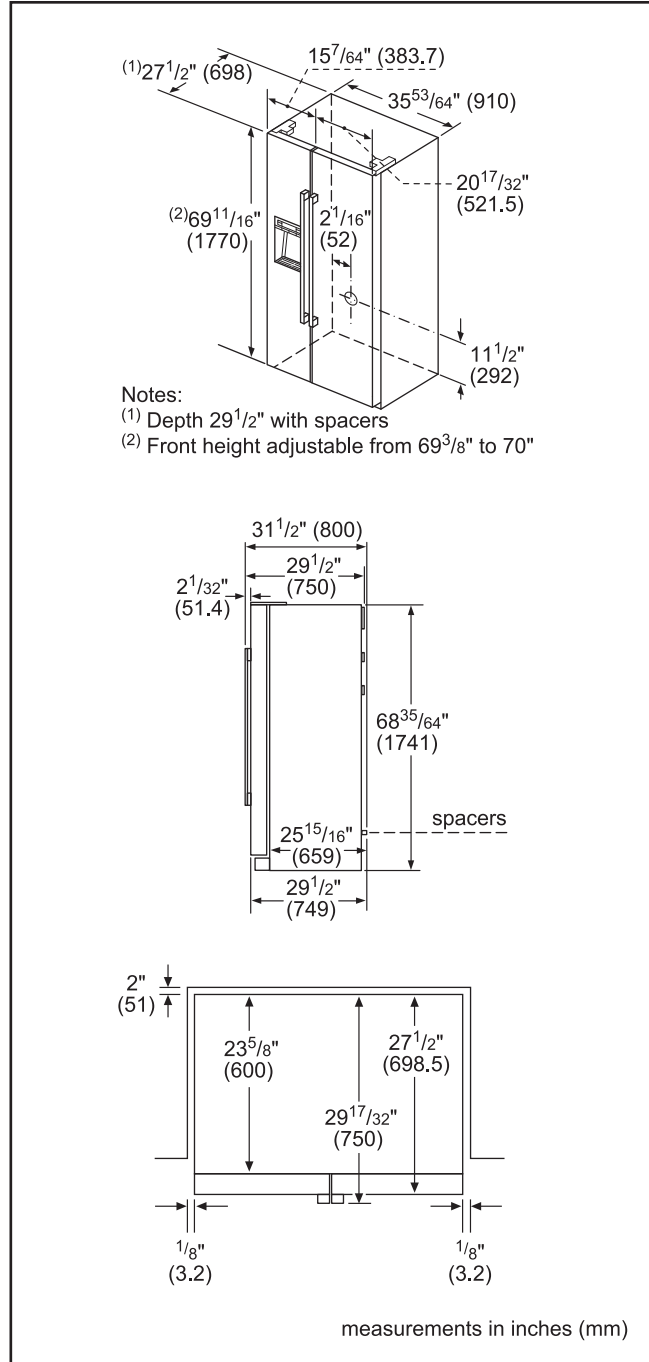
For more information on our entire line of products, go to www.bosch-home.com/us or call 1-800-944-2904

© BSH Home Appliances Corporation. All rights reserved. Bosch is a registered trademark of Robert Bosch GmbH.

36" Counter-Depth Side-by-Side Refrigerator

300 Series – Stainless Steel B20CS30SNS

Installation Details



Accessories: To purchase Bosch accessories, cleaners & parts please visit www.bosch-home.com/us/store or call 1-800-944-2904 (Mon to Fri 5 am to 6 pm PST, Sat 6 am to 3 pm PST).

Notes: All height, width and depth dimensions are shown in inches. BSH reserves the absolute and unrestricted right to change product materials and specifications, at any time, without notice. Consult the product's installation instructions for final dimensional data and other details prior to making cutout.

Warranties: Please see Use & Care manual or Bosch website for statement of limited warranty.

For more information on our entire line of products, go to www.bosch-home.com/us or call 1-800-944-2904

© BSH Home Appliances Corporation. All rights reserved. Bosch is a registered trademark of Robert Bosch GmbH.