

# HEX HEAD TAP BOLTS

FNW Fasteners

HEX HEAD TAP BOLT GRADE A307A ZINC-PLATED

## PRODUCT SPECIFICATIONS

### Specification

- ASME B18.2.1

### Material & Mechanical Properties

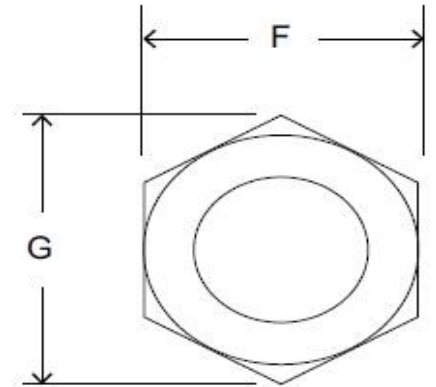
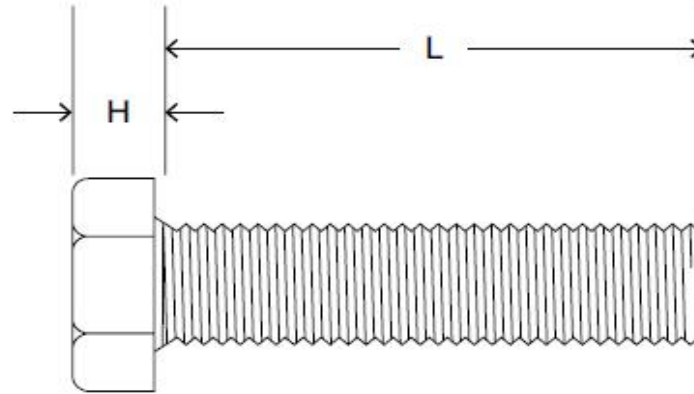
- ASTM A307A

### Thread Requirements

- ASME B1.1, UNC
- Fully threaded for L dimension when less than 6"

### Finish

- Fe/Zn 3AN per ASTM F1941/F1941M



# REFERENCE CHARTS

Nominal Size or Basic Product Diameter		F: Width Across Flats			G: Width Across Corners		H: Head Height		
		Nom	Max	Min	Max	Min	Nom	Max	Min
3/8	0.375	9/16	0.562	0.544	0.650	0.620	1/4	0.268	0.226
1/2	0.500	3/4	0.750	0.725	0.866	0.826	11/32	0.364	0.302
5/8	0.625	15/16	0.938	0.906	1.083	1.033	27/64	0.444	0.378

Key	SKU	Description	L: Bolt Length (in)	Pkg Qty
7485890	FNWTBGA3Z381	3/8; 16 x 1"	1	25
7485918	FNWTBGA3Z38112	3/8; 16 x 1-1/2"	1-1/2	25
7485892	FNWTBGA3Z382	3/8; 16 x 2"	2	25
7485860	FNWTBGA3Z38212	3/8; 16 x 2-1/2"	2-1/2	25
7485879	FNWTBGA3Z383	3/8; 16 x 3"	3	25
7485771	FNWTBGA3Z12112	1/2; 13 x 1-1/2"	1-1/2	10
7485810	FNWTBGA3Z122	1/2; 13 x 2"	2	10
7485809	FNWTBGA3Z123	1/2; 13 x 3"	3	4
7485767	FNWTBGA3Z58112	5/8; 11 x 1-1/2"	1-1/2	4
7485797	FNWTBGA3Z58134	5/8; 11 x 1-3/4"	1-3/4	4
7485837	FNWTBGA3Z582	5/8; 11 x 2"	2	4
7485844	FNWTBGA3Z58212	5/8; 11 x 2-1/2"	2-1/2	4
7485836	FNWTBGA3Z583	5/8; 11 x 3"	3	4