

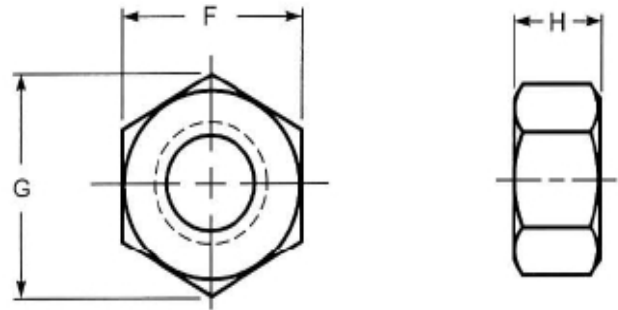
Grade 2, Zinc

Specification: ASME B18.2.2

Material & Mechanical Properties: Grade 2 per SAE J995

Thread Requirements: ASME B1.1, UNC

Finish: Fe/Zn 3AN per ASTM F1941/F1941M



SKU	Nominal Size or Basic Diameter of Thread (in)		F		G		H		Threads Per Inch (TPI)	Pack Qty
			Width Across Flats (in)		Width Across Corners (in)		Nut Thickness (in)			
			Max	Min	Max	Min	Max	Min		
FNWHNG2Z14	1/4	0.2500	0.438	0.428	0.505	0.488	0.226	0.212	20	50
FNWHNG2Z516	5/16	0.3125	0.500	0.489	0.577	0.557	0.273	0.258	18	50
FNWHNG2Z38	3/8	0.3750	0.563	0.551	0.650	0.628	0.337	0.320	16	50
FNWHNG2Z12	1/2	0.5000	0.750	0.736	0.866	0.840	0.448	0.427	13	50
FNWHNG2Z58	5/8	0.6250	0.938	0.922	1.083	1.051	0.559	0.535	11	12
FNWHNG2Z34	3/4	0.7500	1.125	1.088	1.299	1.240	0.665	0.617	10	12
FNWHNG2Z78	7/8	0.8750	1.312	1.269	1.516	1.447	0.776	0.724	9	12