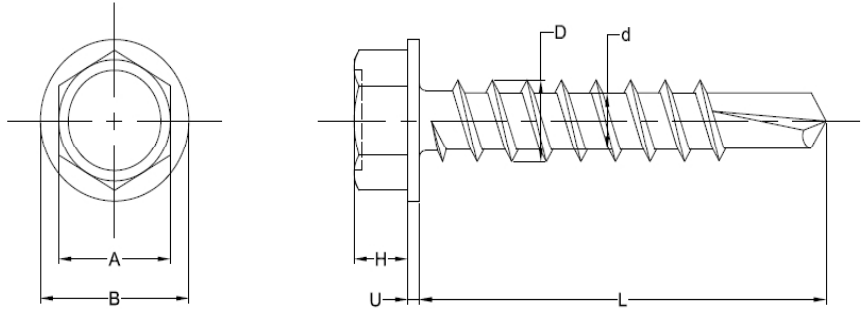


Hex Washer Head Unslotted

Specification: ASME B18.6.3

Material & Mechanical Properties: SAE J78

Finish: Fe/Zn 3AN per ASTM F1941/F1941M



| SKU | Nominal Size | Head | A | | Drive Type | L | | Threads Per Inch (TPI) | Material Finish | Package Qty |
|----------------|--------------|-----------------|----------------|----------------------|------------|-------------|--|------------------------|-----------------|-------------|
| | | | Hex Drive (in) | Washer Diameter (in) | | Length (in) | | | | |
| FNWTEKHWZ812 | #8 | Hex Washer Head | 1/4 | 1/3 | Hex | 1/2 | | 18 | Z/PLT | 50 |
| FNWTEKHWZ81 | #8 | Hex Washer Head | 1/4 | 1/3 | Hex | 1 | | 18 | Z/PLT | 50 |
| FNWTEKHWZ1034 | #10 | Hex Washer Head | 5/16 | 2/5 | Hex | 3/4 | | 16 | Z/PLT | 50 |
| FNWTEKHWZ101 | #10 | Hex Washer Head | 5/16 | 2/5 | Hex | 1 | | 16 | Z/PLT | 50 |
| FNWTEKHWZ10112 | #10 | Hex Washer Head | 5/16 | 2/5 | Hex | 1-1/2 | | 16 | Z/PLT | 50 |
| FNWTEKHWZ141 | #14 | Hex Washer Head | 3/8 | 1/2 | Hex | 1 | | 14 | Z/PLT | 50 |
| FNWTEKHWZ14114 | #14 | Hex Washer Head | 3/8 | 1/2 | Hex | 1-1/4 | | 14 | Z/PLT | 50 |
| FNWTEKHWZ14112 | #14 | Hex Washer Head | 3/8 | 1/2 | Hex | 1-1/2 | | 14 | Z/PLT | 50 |