

# Heavy Hex Nuts

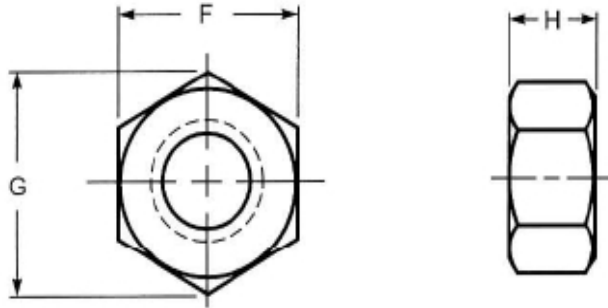
## Grade A, Zinc

**Specification:** ASME B18.2.2

**Material & Mechanical Properties:** Grade A per ASTM A563

**Thread Requirements:** ASME B1.1, UNC

**Finish:** Fe/Zn 3AN per ASTM F1941/F1941M



SKU	Nominal Size or Basic Diameter of Thread (in)		F			G		H			Threads Per Inch (TPI)
			Width Across Flats (in)			Width Across Corners (in)		Heavy Hex Nut Thickness (in)			
			Basic	Max	Min	Max	Min	Basic	Max	Min	
FNWHHNGAZ38	3/8	0.3750	11/16	0.688	0.669	0.794	0.763	23/64	0.377	0.341	16
FNWHHNGAZ12	1/2	0.5000	7/8	0.875	0.850	1.010	0.969	31/64	0.504	0.464	13
FNWHHNGAZ58	5/8	0.6250	1-1/16	1.062	1.031	1.227	1.175	39/64	0.631	0.587	11
FNWHHNGAZ34	3/4	0.7500	1-1/4	1.250	1.212	1.443	1.382	47/64	0.758	0.710	10
FNWHHNGAZ78	7/8	0.8750	1-7/16	1.438	1.394	1.660	1.589	55/64	0.885	0.833	9