

Toggle Bolt Wings

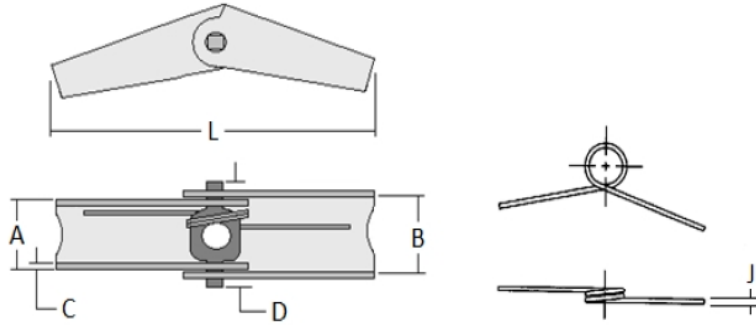
Material: Low carbon steel

Thread Requirements: ASME B1.1, 2B

Screw Threads: ASME B1.1, 2A

Product Marking: Product marked with thread size

Finish: Fe/Zn 3AN per ASTM F1941/F1941M



Altcode	Nominal Size	A		B		C		D		L		J		Drill Size (in)
		Min	Max	Min	Max	Min	Max	Min	Max	Min	Max	Min	Max	
FNWTWZ14	1/4-20	0.421	0.445	0.453	0.503	0.028	0.033	0.661	0.689	2.067	2.185	0.020	0.026	5/8
FNWTWZ38	3/8-16	0.677	0.701	0.709	0.759	0.035	0.041	0.996	1.024	2.894	3.012	0.028	0.033	7/8