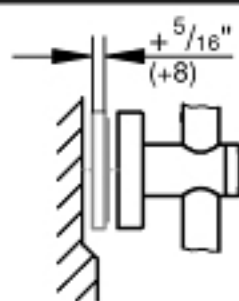
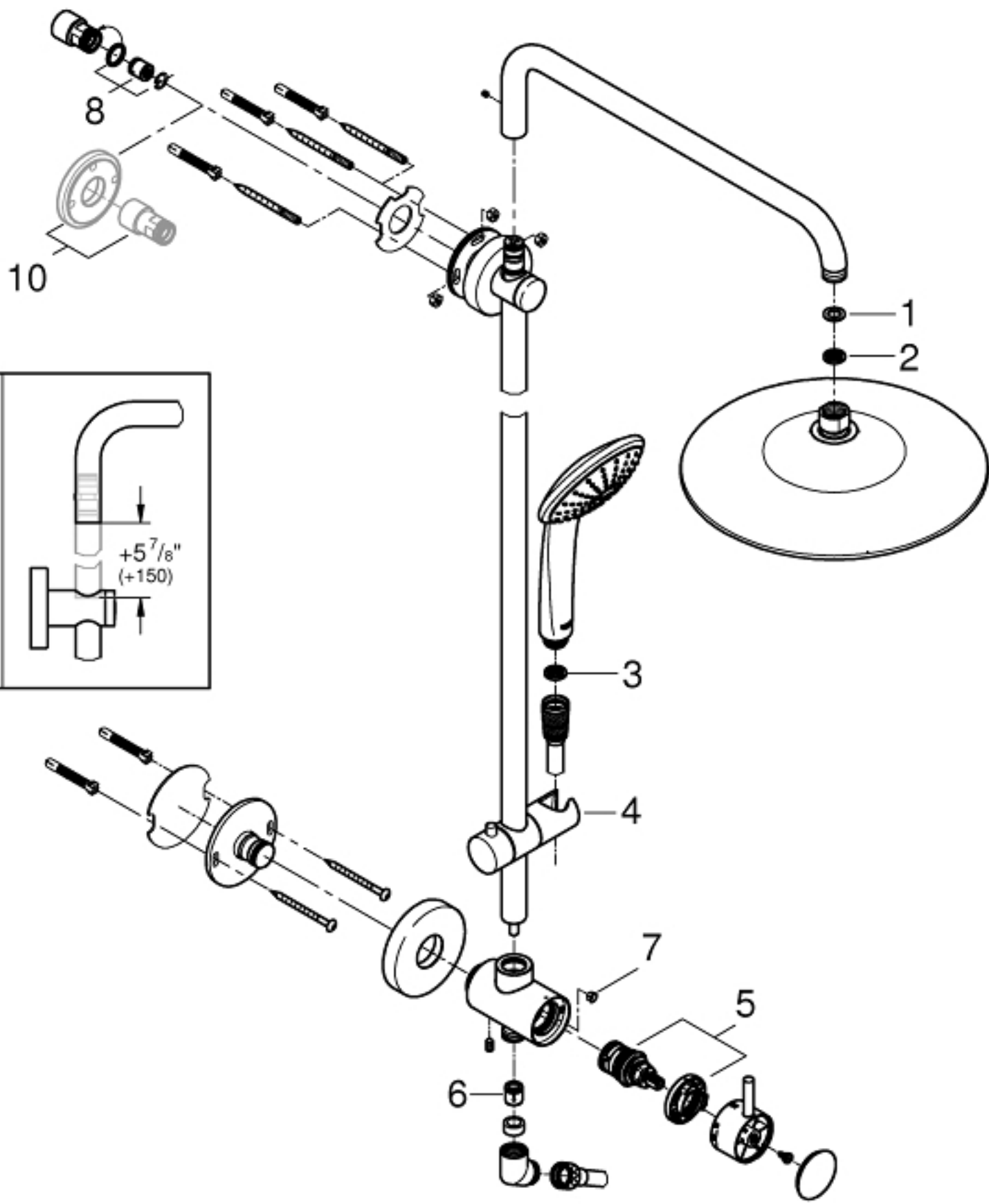
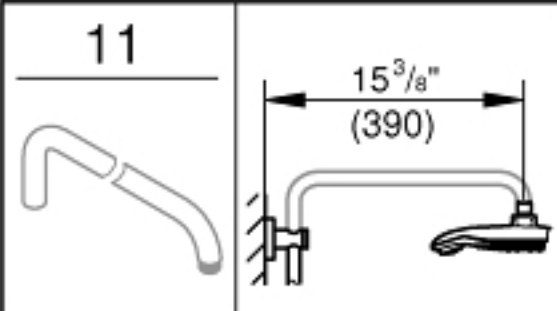


10



11



9


 $+5\frac{7}{8}$
 (+150)
