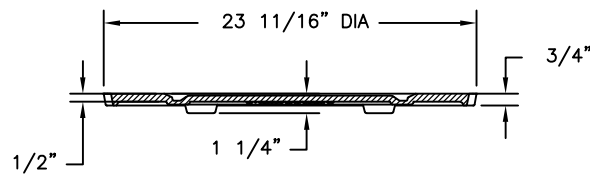
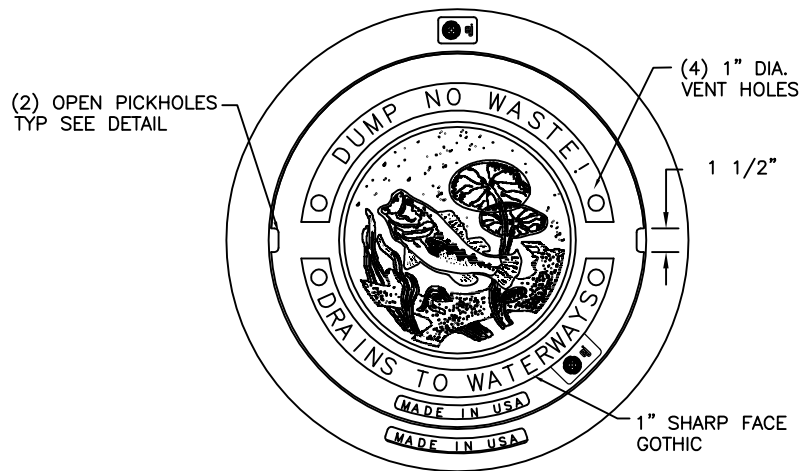
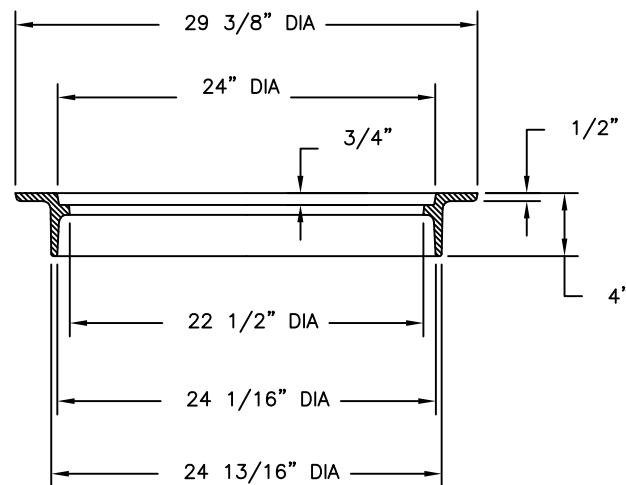


G1860 V1860 Assembly



COVER SECTION



FRAME SECTION

Product Number

05186004

Design Features

- Materials
 - Frame
Gray Iron (CL35B)
 - Cover
Gray Iron (CL35B)

- Design Load
Non-Traffic
- Open Area
n/a
- Coating
Undipped
- √ Designates Machined Surface

Certification

- ASTM A48
- Country of Origin: USA

Major Components

05186010
41860042

Drawing Revision

8/28/2003 Designer: DEW
12/5/2018 Revised By: MAH

Disclaimer

Weights (lbs./kg) dimensions (inches/mm) and drawings provided for your guidance. We reserve the right to modify specifications without prior notice.

CONFIDENTIAL: This drawing is the property of EJ GROUP, Inc., and embodies confidential information, registered marks, patents, trade secret information, and/or know how that is the property of EJ GROUP, Inc. Copyright © 2011 EJ GROUP, Inc. All rights reserved.

Contact

800 626 4653
ejco.com