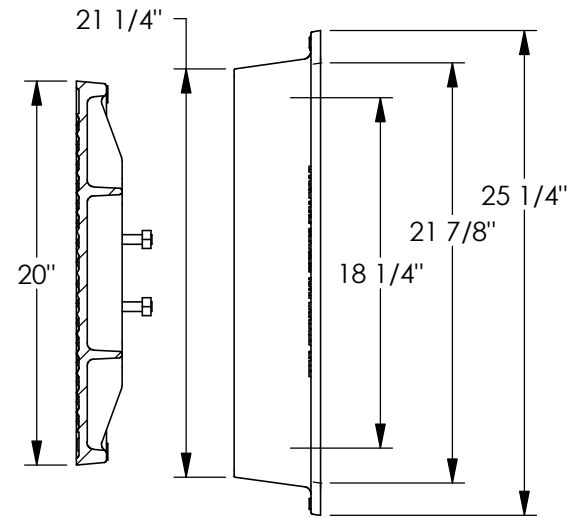
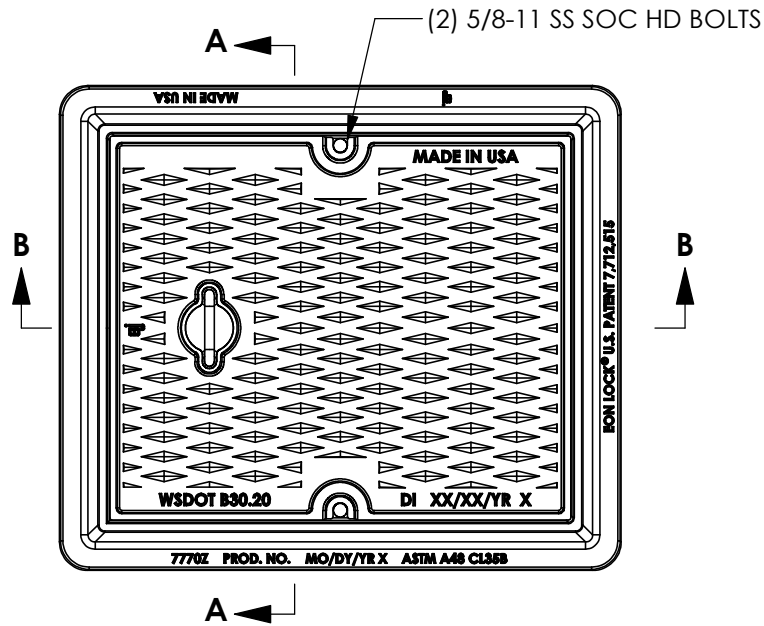


7770Z A Assembly



SECTION A-A

Product Number

00777023B01

Design Features

- Materials
 - Frame
 - Gray Iron (CL35B)
 - Cover
 - Ductile Iron (80-55-06)
- Design Load
 - Extra Heavy Duty
- Open Area
 - n/a
- Coating
 - Undipped
- √ Designates Machined Surface

Certification

- ASTM A48
- ASTM A536
- Country of Origin: USA

Major Components

00777011
00777023

Drawing Revision

2/18/2011 Designer: SMM
7/6/2016 Revised By: MAH

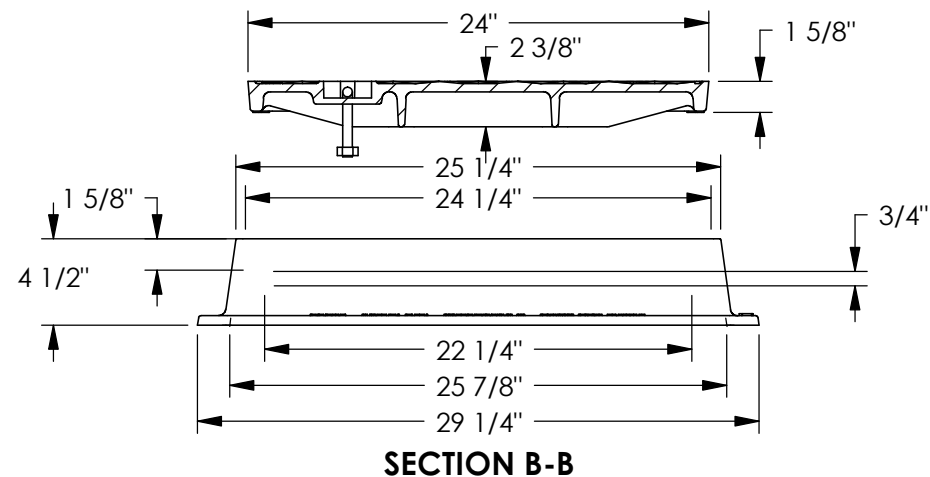
Disclaimer

Weights (lbs/kg), dimensions (inches/mm) and drawings provided for your guidance. We reserve the right to modify specifications without prior notice.

CONFIDENTIAL: This drawing is the property of EJ Group, Inc. and embodies confidential information, registered marks, patents, trade secret information, and/or know-how that is the property of EJ Group, Inc. Copyright © 2012 EJ Group, Inc. All rights reserved.

Contact

800 626 4653
ejco.com



SECTION B-B