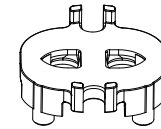
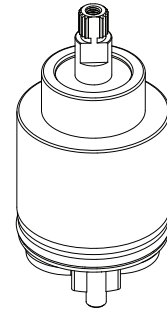




CARTRIDGE AND SPACER ASSEMBLY

CONJUNTO DE ESPACIADOR Y CARTUCHO /
ASSEMBLAGE DE LA CARTOUCHE ET DES CALES D'ESPACEMENT



Installation Instructions Instructions pour l'installation / Instrucciones de instalación

ACF3001CRT2

ENGLISH

CAUTION-TIPS FOR REMOVAL OF OLD FAUCET:

Always turn off water supply before removing existing faucet or replacing any part of the faucet. Open the faucet handle to relieve water pressure and ensure that water is completely shut off.

CARE INSTRUCTIONS:

To preserve the finish of your faucet, apply non-abrasive wax. Any cleaners should be rinsed off immediately. Do not use abrasive cleaners on the faucet.

ESPAÑOL

PRECAUCIÓN-CONSEJOS PARA CAMBIAR LA LLAVE MEZCLADORA:

Siempre corte el suministro de agua antes de retirar el grifo actual o reemplazar cualquier pieza del mismo. Abra la llave del grifo para liberar la presión de agua y asegurar que ya no corre agua.

INSTRUCCIONES DE CUIDADO:

Para conservar el acabado que cubre las partes metálicas de su llave mezcladora, aplique cera que no sea abrasiva, como una cera para autos. Si usa algún tipo de limpiador, deberá enjuagarlo inmediatamente. Los abrasivos suaves son aceptables en acabados platinum y LifeShine.

FRANÇAIS

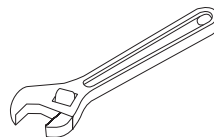
ATTENTION-SUGGESTIONS POUR ENLEVER L'ANCIEN ROBIET:

Toujours couper l'alimentation en eau avant d'enlever ou de démonter le robinet. Ouvrir le robinet pour libérer la pression d'eau et pour s'assurer que l'alimentation en eau a bien été coupée.

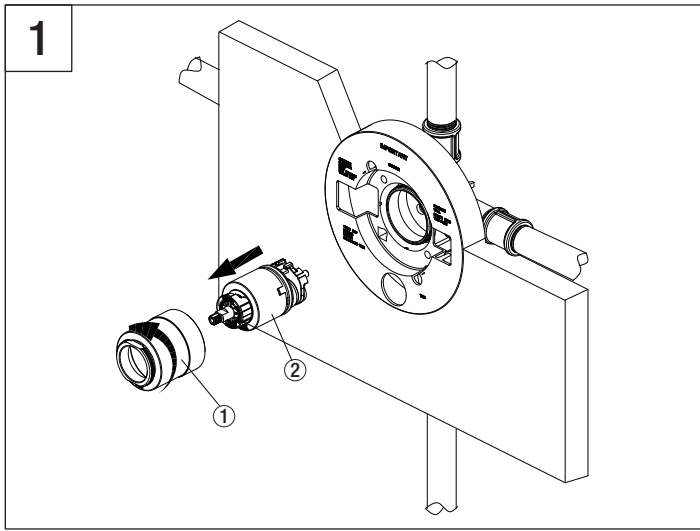
DIRECTIVES D'ENTRETIEN:

Pour préserver le fini des pièces métalliques du robinet, appliquer une cire non abrasive comme une cire à voiture. Rincer immédiatement le robinet après l'avoir nettoyé avec un agent nettoyant. Les finis platinum et LifeShine peuvent être nettoyés à l'aide de produits abrasifs doux.

You may need/Usted puede necesitar/ Aticles dont vous pouvez avoir besion



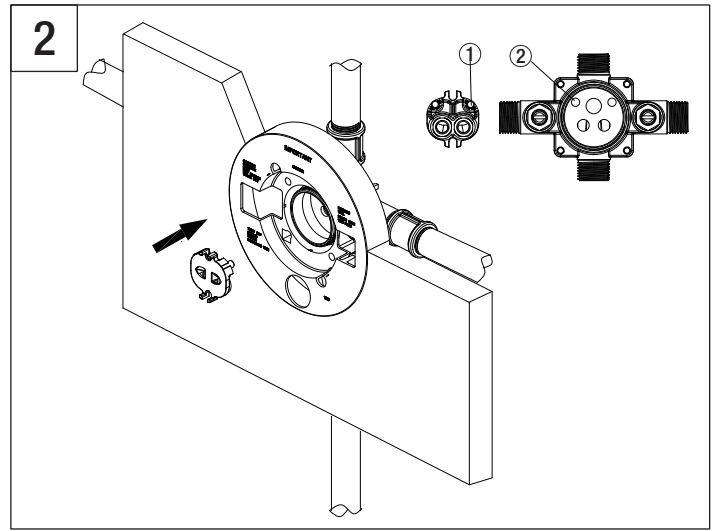
**Wrench
Llave
Clé ajustable**



Remove old cartridge.
 Make sure that water is turned off. Use wrench to remove rough brass valve bonnet (1) and cartridge (2) from valve body.

Remove old cartridge.
 Make sure that water is turned off. Use wrench to remove rough brass valve bonnet (1) and cartridge (2) from valve body.

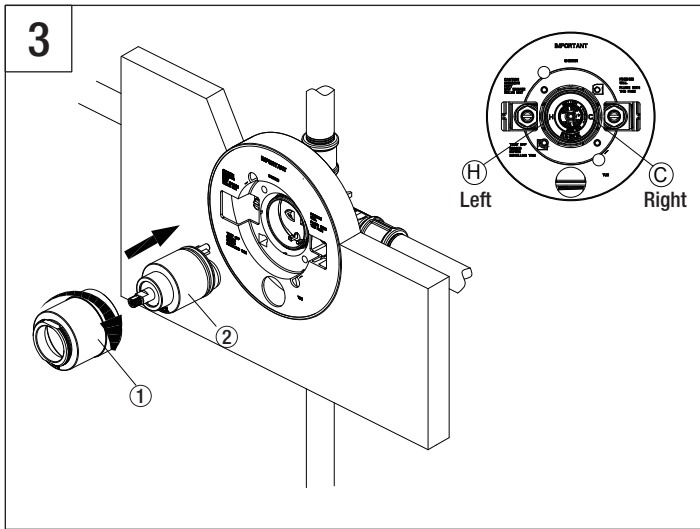
Remove old cartridge.
 Make sure that water is turned off. Use wrench to remove rough brass valve bonnet (1) and cartridge (2) from valve body.



Inserting spacer assembly.
 Insert the spacer assembly after aligning the spacer assembly positioning foot (1) and the body positioning hole (2).

Inserting spacer assembly.
 Insert the spacer assembly after aligning the spacer assembly positioning foot (1) and the body positioning hole (2).

Inserting spacer assembly.
 Insert the spacer assembly after aligning the spacer assembly positioning foot (1) and the body positioning hole (2).



After installing the cartridge (2), tighten the valve bonnet (1) clockwise with a wrench. Important: When installing, the "H" mark on the cartridge is to the left and the "C" is on the right.

After installing the cartridge (2), tighten the valve bonnet (1) clockwise with a wrench. Important: When installing, the "H" mark on the cartridge is to the left and the "C" is on the right.

After installing the cartridge (2), tighten the valve bonnet (1) clockwise with a wrench. Important: When installing, the "H" mark on the cartridge is to the left and the "C" is on the right.