

LS Series

Saint Ferrer® Lug Kit [LK-NIBCO]

Model #LS103

Series Description

The Saint Ferrer® LS series is for the piping professional wanting ASME *listed* low strength components. The LS series is suitable for many ASME B31.1 Non-Boiler External Piping (NBEP) locations with ASME B16.5 flanges and most AWWA applications.

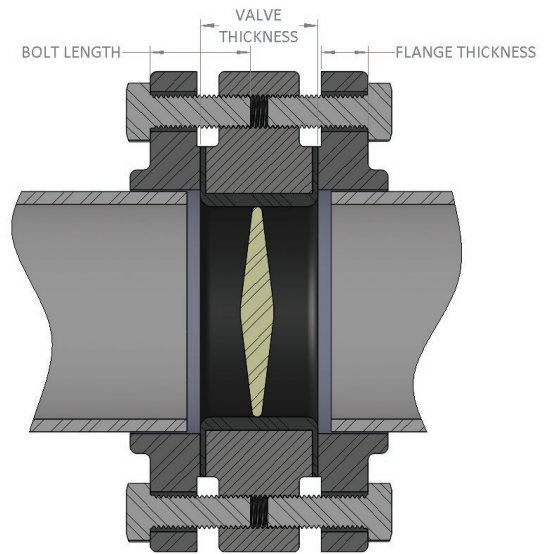
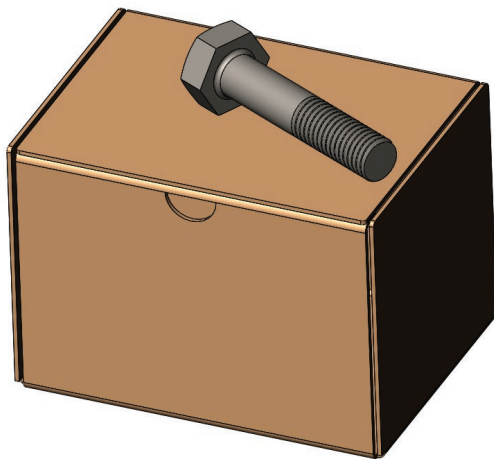
Model Features

Prepackaged Bolting Kit of carbon steel low strength *listed* bolting intended for the assembly of two ASME B16.5 Class 150 flanges to a lug style butterfly valve. See respective AWWA C110, C115, C153, and C207 standards for suitability.

Kit includes:

- ASME *listed* bolting
- Plain Coating
- Heavy Hexagon Machine Bolt
- Bolt maximum tensile strength controls over-torque
- Grade and identification markings on bolt for traceability
- P.L. 106-34, Fastener Quality Act Amendments Act of 1999, compliant

	Heavy Hex Bolt
ASTM Designation	A307 Gr. B
Grade Markings	307B
Coating	Plain
Yield (min) ksi	Not Defined
Tensile (min) ksi	60
Tensile (max) ksi	100
Proof Load (min) ksi	**
Thread Pitch	UNC-2A
Dimensions	ASME B18.2.1
Materials	Carbon Steel



Disclaimer of Accuracy or Quality: WestermannBG makes no warranty, express or implied, and does not assume any legal liability or responsibility for the accuracy or completeness of any information contained on, or derived from this sheet. This information is for the purpose of supporting selection and should be interpreted only by a licensed professional engineer with piping design experience.