

Ecostat S

Thermostat for concealed installation for 1 function

Surfaces: **Chrome** Article Number: **15757000**



Description

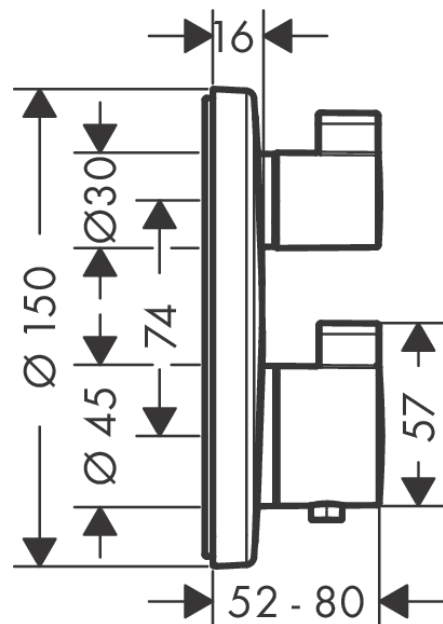
product features

- 1 function
- maximum flow rate at 3 bar: 26,5 l/min
- thermostat cartridge, ceramic valves 90°
- safety lock at 40° C
- temperature limitation adjustable
- volume control
- connection type: basic set
- min. operating pressure: 1 bar
- max. operating pressure: 10 bar

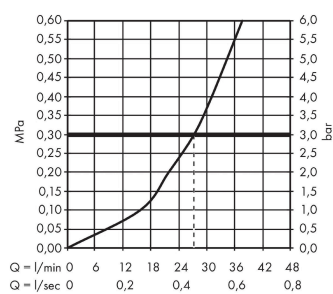
Product image



Scale drawing



Flowchart

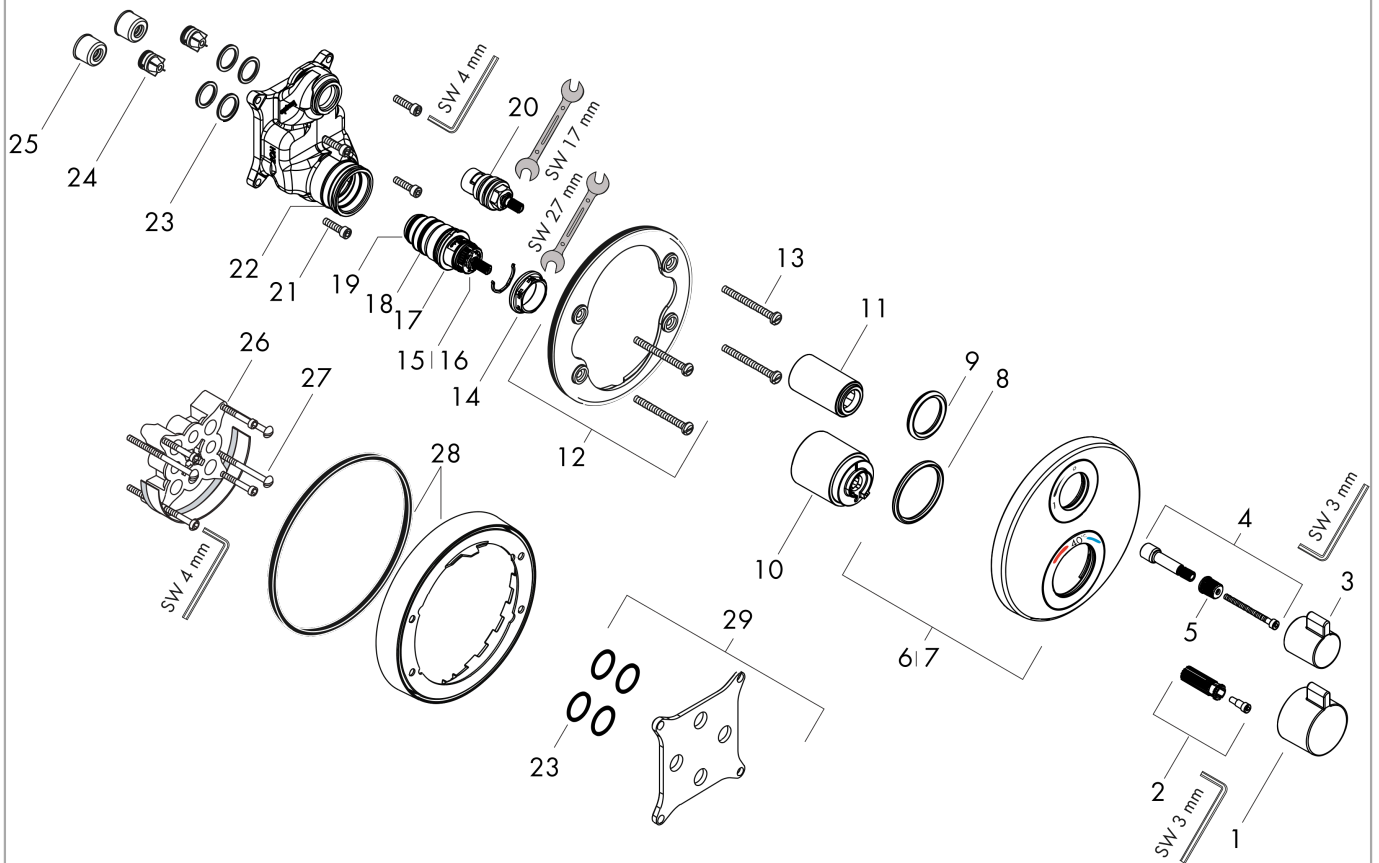


Ecostat S
Thermostat for concealed installation for 1 function
 Surfaces: **Chrome** Article Number: **15757000**



Exploded Drawing

Year of production: >05/14



Ecostat S

Thermostat for concealed installation for 1 function

Surfaces: **Chrome** Article Number: **15757000**



Spare part list

Year of production: >05/14

Pos.	Description	Article Number	Price	PU
1	handle for thermostat	92215000	-	1
2	handle fixing set	95843000	-	1
3	handle	92281000	-	1
4	adapter for handle	95252000	-	1
5	handle fixing set	98932000	-	1
6	escutcheon Ø 150 mm	92282000	-	1
7	escutcheon for exchanged connections	92389000	-	1
8	O-ring 44x4	98471000	-	1
9	O-ring 30x5	98153000	-	1
10	sleeve	92216000	-	1
11	sleeve	96446000	-	1
12	holder for escutcheon	98793000	-	1
13	set of fixing screws	96454000	-	1
14	nut	98913000	-	1
15	thermostat cartridge	98282000	-	1
16	cartridge for exchanged connections	92373000	-	1
17	O-ring 25x2,5	92146000	-	1
18	O-ring 25x1,5	98146000	-	1
19	O-ring 20x1,5	98197000	-	1
20	shut off unit right closing	94009000	-	1
21	set of screws	96525000	-	1
22	O-ring 36x2	98156000	-	1
23	O-ring 16x2	98133000	-	1
24	set of non return valves DW 15	97350000	-	1
25	noise reduction	94073000	-	1
26	extension 25 mm	13595000	-	1
27	set of fixing screws	97747000	-	1
28	extension 22 mm (Ø 150 mm)	13597000	-	1
29	compensation set 1°	95521000	-	1
a	concealed item	01800180	-	1
b	adapter for exchanged connections	93181000	-	1
c	Grease	90920000	-	1