

# FRENCH DOOR BOTTOM MOUNT OWNER'S MANUAL

## MANUEL D'UTILISATION DE RÉFRIGÉRATEUR À PORTE À DOUBLE BATTANT ET CONGÉLATEUR EN BAS

---

### Table of Contents/Table des matières

<p><b>REFRIGERATOR SAFETY</b>..... 2</p> <p>Refrigerator Safety..... 2</p> <p><b>REFRIGERATOR CARE</b>..... 3</p> <p>Cleaning..... 3</p> <p>Changing the Light Bulb..... 5</p> <p>Refrigerator Shelves..... 5</p> <p>Opening and Closing Doors..... 7</p> <p>Vacation and Moving Care..... 7</p> <p><b>INSTALLATION INSTRUCTIONS</b>..... 8</p> <p>Unpack the Refrigerator..... 8</p> <p>Location Requirements..... 8</p> <p>Electrical Requirements..... 9</p> <p>Water Supply Requirements..... 9</p> <p>Connect the Water Supply..... 9</p> <p>Complete the Installation..... 11</p> <p>Install Air Filter (on some models)..... 11</p> <p>Install Produce Preserver (on some models)..... 12</p> <p><b>REFRIGERATOR FEATURES</b>..... 13</p> <p>Crisper Humidity Control (on some models)..... 13</p> <p>Water and Ice Dispensers (on some models)..... 14</p> <p>Ice Maker and Storage Bin..... 14</p> <p>Water Filtration System..... 16</p> <p><b>DOOR AND HANDLE INSTRUCTIONS</b>..... 19</p> <p>Door and Drawers..... 19</p> <p>Remove and Replace Handles..... 19</p> <p>Remove Refrigerator Doors and Hinges..... 20</p> <p>Reset Bottom Refrigerator Door Hinge..... 22</p> <p>Replace Refrigerator Doors and Hinges..... 23</p> <p>Remove and Replace Refrigerator Drawer..... 23</p> <p>Door Closing and Alignment..... 25</p> <p><b>PERFORMANCE DATA SHEET</b>..... 29</p> <p>Performance Data Sheet..... 29</p>	<p><b>SÉCURITÉ DU RÉFRIGÉRATEUR</b>..... 31</p> <p>Sécurité du réfrigérateur..... 31</p> <p><b>ENTRETIEN DU RÉFRIGÉRATEUR</b>..... 32</p> <p>Nettoyage..... 32</p> <p>Remplacer l'ampoule d'éclairage..... 34</p> <p>Tablettes du réfrigérateur..... 34</p> <p>Ouverture et fermeture des portes..... 36</p> <p>Précautions à prendre avant les vacances ou le déménagement..... 36</p> <p><b>INSTRUCTIONS D'INSTALLATION</b>..... 37</p> <p>Déballage du réfrigérateur..... 37</p> <p>Exigences d'emplacement..... 38</p> <p>Spécifications électriques..... 38</p> <p>Spécifications de l'alimentation en eau..... 39</p> <p>Raccordement à la canalisation d'eau..... 39</p> <p>Terminer l'installation..... 41</p> <p>Installer le filtre à air (sur certains modèles)..... 41</p> <p>Installation du conservateur de produits frais (sur certains modèles)..... 42</p> <p><b>CARACTÉRISTIQUES DU RÉFRIGÉRATEUR</b>..... 44</p> <p>Commande d'humidité dans le bac à légumes (sur certains modèles)..... 44</p> <p>Distributeur d'eau et de glaçons (sur certains modèles)..... 44</p> <p>Machine à glaçons et bac d'entreposage..... 45</p> <p>Système de filtration de l'eau..... 47</p> <p><b>INSTRUCTIONS POUR LA PORTE ET LA POIGNÉE</b>..... 49</p> <p>Porte et tiroirs..... 49</p> <p>Pour enlever et réinstaller les poignées..... 49</p> <p>Démontage des portes et charnières du réfrigérateur..... 51</p> <p>Réinitialiser la charnière inférieure du réfrigérateur..... 53</p> <p>Réinstallation des portes et charnières..... 54</p> <p>Retrait et réinstallation du tiroir de congélation..... 54</p> <p>Fermeture et alignement des portes..... 56</p> <p><b>FICHE DE DONNÉES DE PERFORMANCE</b>..... 60</p> <p>Fiche de données de performance..... 60</p>
---	--

# REFRIGERATOR SAFETY

## Your safety and the safety of others are very important.

We have provided many important safety messages in this manual and on your appliance. Always read and obey all safety messages.



This is the safety alert symbol.

This symbol alerts you to potential hazards that can kill or hurt you and others.

All safety messages will follow the safety alert symbol and either the word "DANGER" or "WARNING." These words mean:

**▲ DANGER**

**You can be killed or seriously injured if you don't immediately follow instructions.**

**▲ WARNING**

**You can be killed or seriously injured if you don't follow instructions.**

All safety messages will tell you what the potential hazard is, tell you how to reduce the chance of injury, and tell you what can happen if the instructions are not followed.

## IMPORTANT SAFETY INSTRUCTIONS

**WARNING:** To reduce the risk of fire, electric shock, or injury to persons when using your appliance, follow basic precautions, including the following:

- Children should be supervised to ensure that they do not play with the appliance.
- This appliance is not intended for use by persons (including children) with reduced physical, sensory, or mental capabilities, or lack of experience and knowledge, unless they have been given supervision or instruction concerning use of the appliance by a person responsible for their safety.
- Do not use an extension cord.
- If power supply cord is damaged, it must be replaced by the manufacturer, its service agent, or a similarly qualified person in order to avoid a hazard.
- Connect to potable water supply only.
- This appliance is intended to be used in household and similar applications such as: staff kitchen areas in shops, offices, and other working environments; farm houses and by clients in hotels, motels, and other residential-type environments; bed and breakfast-type environments; and catering and similar non-retail applications.
- Do not store explosive substances such as aerosol cans with a flammable propellant in this appliance.
- Do not use replacement parts that have not been recommended by the manufacturer (e.g., parts made at home using a 3D printer).
- Keep ventilation openings, in the appliance enclosure or in the built-in structure, clear of obstruction.
- Do not use mechanical devices or other means to accelerate the defrosting process, other than those recommended by the manufacturer.
- Do not damage the refrigerant circuit.
- Do not use electrical appliances inside the food storage compartments of the appliance, unless they are of the type recommended by the manufacturer.

**SAVE THESE INSTRUCTIONS**

## Proper Disposal of Your Old Refrigerator

**WARNING:** Risk of child entrapment. Before you throw away your old refrigerator or freezer:

- Take off the doors.
- Leave the shelves in place so that children may not easily climb inside.

### **⚠WARNING**

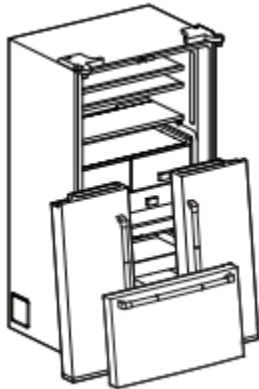
#### **Suffocation Hazard**

**Remove doors or lid from your old appliance.  
Failure to do so can result in death or brain damage.**

**IMPORTANT:** Child entrapment and suffocation are not problems of the past. Junked or abandoned freezers or refrigerators, are still dangerous, even if they will sit for “just a few days.” If you are getting rid of your old refrigerator or freezer, please follow these instructions to help prevent accidents.

#### **Important information to know about disposal of refrigerants:**

Dispose of refrigerator in accordance with Federal and Local regulations. Refrigerants must be evacuated by a licensed, EPA certified refrigerant technician in accordance with established procedures.



## REFRIGERATOR CARE

### Cleaning

### **⚠WARNING**



#### **Explosion Hazard**

**Risk of Fire or Explosion.**

**Flammable Refrigerant Used.**

**Do Not Use Mechanical Devices to Defrost Refrigerator.**

**Do Not Puncture Refrigerant Tubing.**

Both the refrigerator and freezer sections defrost automatically. However, clean both sections about once a month to avoid odor buildup. Wipe up spills immediately.

#### **IMPORTANT:**

- Because air circulates between all sections, any odors formed in one section will transfer to the other. You must thoroughly clean all sections to eliminate odors. To avoid odor transfer and drying out of food, wrap or cover foods tightly.
- Do not use abrasive or harsh cleaners such as window sprays, scouring cleansers, flammable fluids, muriatic acid, cleaning waxes, concentrated detergents, bleaches or cleansers containing petroleum products on doors and cabinet, plastic parts, interior and door liners or gaskets. Do not use paper towels, scouring pads, or other harsh cleaning tools.
- For stainless steel models, stainless steel is corrosion resistant and not corrosion-proof. To help avoid corrosion of your stainless steel, keep your surfaces clean by using the following cleaning instructions.

#### **Cleaning the Touch Screen Display on the Dispenser Panel (on some models):**

1. Make sure the refrigerator is unplugged or the power is disconnected before wiping the screen to avoid unintentionally changing the settings.
2. Mix a solution of mild detergent in warm water. Dampen a soft, lint-free cloth with the solution and gently wipe the screen.

**NOTE:** Do not spray or wipe liquids directly onto the screen or over-saturate the cloth.

3. Plug in refrigerator or reconnect power.

#### **Cleaning the Interior:**

**IMPORTANT:** Refrigerator shelves with under-shelf, LED lighting are not dishwasher safe.

1. Unplug refrigerator or disconnect power.
2. Hand wash, rinse, and dry removable parts and interior surfaces thoroughly. Use a clean sponge or soft cloth and a mild detergent in warm water.
3. Plug in refrigerator or reconnect power.

## Cleaning the Exterior:

**IMPORTANT:** Damage to smooth finish due to improper use of cleaning products or using non-recommended cleaning products is not covered under the warranty. Sharp or blunt instruments will mar the finish.

1. Unplug refrigerator or disconnect power.
2. Using a clean sponge or soft cloth and a mild detergent in warm water, wash, rinse, and thoroughly dry stainless steel and painted metal exteriors.

To keep your stainless steel refrigerator looking like new and to remove minor scuffs or marks, it is suggested that you use the manufacturer's approved stainless steel cleaner and polish. This cleaner is for stainless steel parts only. Refer to the Quick Start Guide for ordering information.

**NOTE :** When cleaning stainless steel, always wipe in the direction of the grain to avoid cross-grain scratching.

Do not allow the stainless steel cleaner and polish to come into contact with any plastic parts such as the trim pieces, dispenser covers, or door gaskets. If unintentional contact does occur, clean plastic part with a sponge and mild detergent in warm water. Dry thoroughly with a soft cloth.

3. Plug in refrigerator or reconnect power.

### Style 1: Smooth Door/Painted Metal

DO USE	DO NOT USE
<ul style="list-style-type: none"> <li>■ Soft, clean cloth</li> </ul>	<ul style="list-style-type: none"> <li>■ Abrasive cloths</li> <li>■ Paper towels or newsprint</li> <li>■ Steel-wool pads</li> </ul>
<ul style="list-style-type: none"> <li>■ Warm, soapy water with a mild detergent</li> </ul>	<ul style="list-style-type: none"> <li>■ Abrasive powders or liquids</li> <li>■ Window sprays</li> <li>■ Ammonia</li> <li>■ Acidic or vinegar-based cleaners</li> <li>■ Oven cleaners</li> <li>■ Flammable fluids</li> </ul>

**NOTE:** Paper towels scratch and may dull the clear coat of the painted door. To avoid possible damage, use only soft, clean cloths to polish and wipe the door.

### Style 2: Stainless Steel

DO USE	DO NOT USE
<ul style="list-style-type: none"> <li>■ Soft, clean cloth</li> </ul>	<ul style="list-style-type: none"> <li>■ Abrasive cloths</li> <li>■ Paper towels or newsprint</li> <li>■ Steel-wool pads</li> </ul>
<ul style="list-style-type: none"> <li>■ Warm, soapy water with a mild detergent</li> </ul>	<ul style="list-style-type: none"> <li>■ Abrasive powders or liquids</li> <li>■ Ammonia</li> <li>■ Citrus-based cleaners</li> <li>■ Acidic or vinegar-based cleaners</li> <li>■ Oven cleaners</li> </ul>
<ul style="list-style-type: none"> <li>■ For heavy soil, use only a manufacturer's approved stainless steel cleaner and polish</li> </ul>	<ul style="list-style-type: none"> <li>■ Abrasive powders or liquids</li> <li>■ Ammonia</li> <li>■ Citrus-based cleaners</li> <li>■ Acidic or vinegar-based cleaners</li> <li>■ Oven cleaners</li> <li>■ Abrasive cloths</li> <li>■ Paper towels or newsprint</li> <li>■ Steel-wool pads</li> </ul>

#### NOTES:


- If unintentional contact does occur, clean plastic part with a sponge and mild detergent in warm water. Dry thoroughly with a soft cloth.
- Avoid exposing stainless steel appliances to caustic or corrosive elements such as high-salt, high-moisture, or high-humidity environments. Damage due to exposure to these elements is not covered under the warranty.
- Just because a cleaner is a liquid does not mean it is nonabrasive. Many liquid cleansers formulated to be gentle on tile and smooth surfaces still damage stainless steel.
- When cleaning stainless steel, always wipe in the direction of the grain to avoid cross-grain scratching.
- Citric acid permanently discolors stainless steel. To avoid damaging the finish of your stainless steel refrigerator:

#### Do not allow these substances to remain on the finish:

- Mustard
- Tomato juice
- Marinara sauce
- Citrus-based sauces
- Citrus-based products

## Condenser Cleaning

**⚠ WARNING**



**Explosion Hazard**

**Risk of Fire or Explosion due to Puncture of Refrigerant Tubing;**

**Follow Handling Instructions Carefully.**

**Flammable Refrigerant Used.**

There is no need for routine condenser cleaning in normal home operating environments. If the environment is particularly greasy or dusty or there is significant pet traffic in the home, the condenser should be cleaned every 6 months to ensure maximum efficiency.

1. Unplug refrigerator or disconnect power.
2. Remove the base grille.
3. Use a vacuum cleaner with a soft brush to clean the grille, the open areas behind the grille, and the front surface area of the condenser.
4. Replace the base grille when finished.
5. Plug in refrigerator or reconnect power.

**NOTE:** If you are unable to clean the condenser, please call for service.

## Changing the Light Bulb

**IMPORTANT:** The lights in both the refrigerator and freezer compartments use LED technology that do not need to be replaced. If the lights do not illuminate when the door or drawer is opened, call for assistance or service. Refer to the Quick Start Guide for contact information.

The lighting system in this appliance may consist of:

- Sealed LED modules
- LED Bulbs
- Incandescent Bulbs
- Or a combination of the above.

**NOTE:** If your product has a sealed LED module, call for assistance or service. Refer to the Quick Start Guide for contact information.

If an LED bulb does not illuminate when the refrigerator and/or freezer door is opened, replace with like bulb following this procedure:

1. Unplug refrigerator or disconnect power.
2. Remove the light shield (on some models).
  - Remove the hardware holding the light shield in place.
  - Top of the refrigerator compartment - Slide the light shield toward the back of the compartment to release it from the light assembly.

3. Not all appliance bulbs will fit your refrigerator. Replace the burned-out bulb(s) with an appliance bulb of the same size, shape and wattage. Order part number W10565137 (3.6 W).

**NOTE:** Some LED replacement bulbs are not recommended for wet/damp environments. The refrigerator and freezer compartments are considered to be wet/damp environments. If using a brand of LED bulb other than the recommended LED bulb, before installation, read and follow all instructions on the LED packaging.
4. Replace the light shield (on some models) by inserting the tabs on the shield into the liner holes on each side of the light assembly. Slide the shield toward the front until it locks into place.

**NOTE:** To avoid damaging the light shield, do not force the shield beyond the locking point.
5. Replace the hardware that holds the shield in place.
6. Plug in refrigerator or reconnect power.

If an incandescent bulb does not illuminate when the refrigerator and/or freezer door is opened, replace with like bulb using the same procedure outlined above. Replace burned-out bulb with only incandescent bulb(s) of the same size, shape, and wattage (maximum 40 W) designed for household appliances.

### Freezer Compartment Light (on some models)

1. Unplug refrigerator or disconnect power.
2. Remove the light shield.

Top of the freezer compartment - Slide the light shield toward the back of the compartment to release it from the light assembly.
3. Replace the burned-out bulb with an appliance bulb(s) no greater than 25 W.
4. Replace the light shield.
5. Plug in refrigerator or reconnect power.

## Refrigerator Shelves

### Important information to know about glass shelves and covers:

Do not clean glass shelves or covers with warm water when they are cold. Shelves and covers may break if exposed to sudden temperature changes or impact, such as bumping. Tempered glass is designed to shatter into many small, pebble-size pieces. This is normal. Glass shelves and covers are heavy. Use both hands when removing them to avoid dropping.

The shelves in your refrigerator are adjustable to match your individual storage needs.

Storing similar food items together in your refrigerator and adjusting the shelves to fit different heights of items will make finding the exact item you want easier. It will also reduce the amount of time the refrigerator door is open, and save energy.

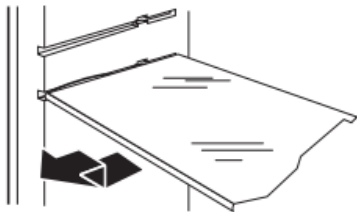
### Glass Shelves

#### To remove a shelf:

1. Remove items from the shelf.
2. Slide the shelf straight out to the stop.
3. Depending on your model, lift the back or front of the shelf past the stop. Pull the shelf out the rest of the way.

### To replace a shelf:

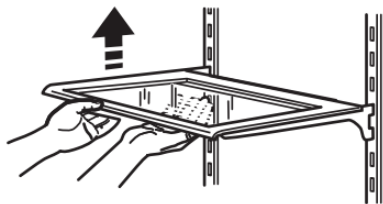
1. Slide the back of the shelf into the track in the wall of the cabinet.
2. Guide the front of the shelf into the shelf track. Be sure to slide the shelf in all the way.



### Shelves with Shelf Frames

#### To remove and replace a shelf/shelf frame:

1. Remove the shelf/frame by tilting it up at the front and lifting it out of the shelf supports.
2. Replace the shelf/frame by guiding the rear shelf hooks into the shelf supports. Tilt the front of the shelf up until rear shelf hooks drop into the shelf supports.
3. Lower the front of the shelf and make sure that the shelf is in position.



### Shelves with Under-Shelf Lighting (on some models)

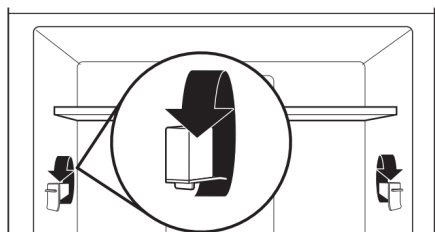
By moving LED lighting to a new spot under the shelves, this leading-edge technology improves interior refrigerator lighting and aids in locating storage items.

- For models with the shelf frames, the hooks on the rear of the shelf must be fully engaged in the shelf supports to maintain proper electrical flow.
- No more than two shelves with under-shelf lighting may be used in the refrigerator at one time.

### Shelves with Shelf Mounts

Shelf height can be adjusted by changing the adjustable shelf mounts between their vertical and horizontal positions.

1. Carefully lift the shelf off the shelf mounts and turn the flipper to the desired orientation.
2. Repeat for remaining shelf mounts.
3. Apply pressure to the top of the shelf to ensure the shelf is properly seated on the shelf mounts.



### To remove and replace shelves:

1. Make sure adjustable shelf mounts are in the lower position before removing shelves. Also doors will need to be open at a 90° angle. If open wider, it will make it harder to remove the shelves.
2. Remove the middle shelf or top shelf by lifting it up and out of the shelf supports. Then pull the shelf forward and tilt down to a vertical position. Turn the shelf at an angle and pull out of the refrigerator.

Infinity slide glass shelves should be pushed back in. When tilted up, make sure glass does not slide to front.

**NOTE:** Remove middle shelf first before removing top shelf.

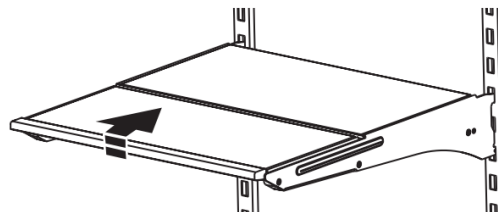
3. Remove the bottom shelf by lifting it up and out of the shelf supports. Then pull the shelf forward and tilt up to a vertical position. Turn the shelf at an angle and pull out of the refrigerator.
4. Replace the middle and top shelves by putting the shelf in the refrigerator at an angle with the shelf front down. Lift the front of the shelf up and slide in until rear shelf drops into the shelf supports. Lower the front of the shelf and make sure that the shelf is in position.
5. Replace the bottom shelf by putting the shelf in the refrigerator at an angle with the shelf up. Lift the front of the shelf down and slide in until rear shelf drops into the shelf supports. Lower the front of the shelf and make sure that the shelf is in position.

### Tuck/Slide Away Shelf (on some models)

Some shelves will tuck/slide away to create room for taller objects.

#### To retract and extend the front section of the shelf:

1. To retract the front-section of the shelf, slightly lift up on the front edge and push the adjustable portion of the shelf back toward the rear of the refrigerator.
2. Extend the front of the shelf by pulling the retracted portion of the shelf outward until it is fully extended.



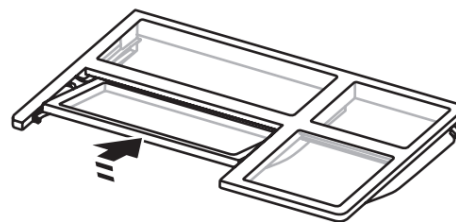
### Foldaway Shelf (on some models)

#### To retract the fold away shelf:

Retract the fold away section of the shelf by holding the front of the shelf with one hand and lifting up on the center front of the shelf. Then push back and down on the shelf until it slides beneath the back section of the shelf.

#### To replace the fold away shelf:

Replace the fold away section of the shelf by holding the front of the shelf with one hand and pulling the center of the shelf until the fold away section is returned to its full shelf position.



## MicroEdge® Glo Shelves (on some models)

The hooks on the rear of the shelf must be fully engaged in the shelf supports to maintain proper electrical flow.

No more than two shelves with under-shelf lighting may be used in the refrigerator at one time.

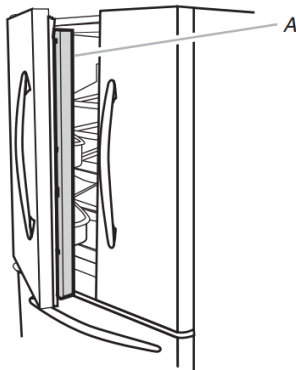
## Opening and Closing Doors

There are two refrigerator compartment doors. The doors can be opened and closed either separately or together. On some models, there is a, automatic closing mechanism so the door(s) will not unintentionally be left open. If a door is open at a 40° or smaller angle, the door will automatically, softly close.

**IMPORTANT:** If the doors do not automatically close at a 40° or smaller angle, see “Bottom Door Hinge.”

There is a vertically-hinged seal on the left refrigerator door.

- When the left-hand door is opened, the hinged seal automatically folds inward so that it is out of the way.
- When both doors are closed, the hinged seal automatically forms a seal between the two doors.

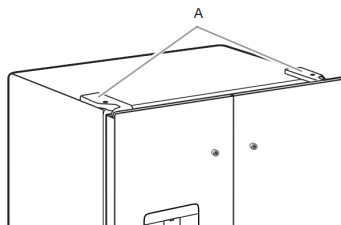


A. Hinged seal

The refrigerator compartment door switch is located in the top left and right hinge cover.

- The door switch uses magnet to sense door opening/closing.
- Ensure there are no magnet or electronic devices (Speaker, CoolVox®, etc) within 3 inches of the hinge cap.

**NOTE:** The light and internal user interface (UI) will not turn on if the door opening is not detected.



A. Hinged cover

## Vacation and Moving Care

### Vacation

**If You Choose to Leave the Refrigerator On While You're Away:**

1. Use up any perishables and freeze other items.
2. If your refrigerator has an automatic ice maker, and is connected to the household water supply, turn off the water supply to the refrigerator. Property damage can occur if the water supply is not turned off.

3. If you have an automatic ice maker, turn off the ice maker.  
**NOTE:** Depending on your model, raise the wire shutoff arm to Off (up) position or press the switch to Off.

4. Empty the ice bin.

Models with Vacation Mode Feature

- Turn on Vacation mode. See the “Quick Start Guide” for details.

**NOTE:** Activating Vacation mode does not turn off the ice maker.

### If You Choose to Turn Off the Refrigerator Before You Leave:

1. Remove all food from the refrigerator.
2. If your refrigerator has an automatic ice maker:
  - Turn off the water supply to the ice maker at least one day ahead of time.
  - When the last load of ice drops, raise the wire shutoff arm to the Off (up) position or press the switch to Off, depending on your model.
3. Empty the ice bin.
4. Turn off the Temperature control(s). See the “Quick Start Guide.”
5. Clean refrigerator, wipe it, and dry well.
6. Tape rubber or wood blocks to the tops of both doors to prop them open far enough for air to get in. This stops odor and mold from building up.

### Moving

When you are moving your refrigerator to a new home, follow these steps to prepare it for the move.

1. If your refrigerator has an automatic ice maker:
  - Turn off the water supply to the ice maker at least one day ahead of time.
  - Disconnect the water line from the back of the refrigerator.
  - When the last load of ice drops, raise the wire shutoff arm to the Off (up) position or press the switch to Off, depending on your model.
2. Remove all food from the refrigerator and pack all frozen food in dry ice.
3. Empty the ice bin.
4. Turn off the Temperature control(s). See the “Quick Start Guide.”
5. Unplug refrigerator
6. Clean, wipe, and dry thoroughly.
7. Take out all removable parts, wrap them well, and tape them together so they don't shift and rattle during the move.
8. Depending on the model, raise the front of the refrigerator so it rolls more easily or raise the leveling screws so they don't scrape the floor. See “Adjust the Door(s)” or “Door Closing and Door Alignment.”
9. Tape the doors closed and tape the power cord to the back of the refrigerator.

When you get to your new home, put everything back and refer to the “Installation Instructions” section for preparation instructions. Also, if your refrigerator has an automatic ice maker, remember to reconnect the water supply to the refrigerator.



# INSTALLATION INSTRUCTIONS

## Unpack the Refrigerator

### **⚠WARNING**

#### Excessive Weight Hazard

Use two or more people to move and install or uninstall appliance.

Failure to do so can result in back or other injury.

### Refrigerator Delivery

- A minimum door opening of 33" (838 mm) is required. If door opening is 36" (914 mm) or less, then removal of doors, drawer, and hinges is required.
- Cart the refrigerator from the side for all door openings.

### Remove the Packaging

- Remove tape and glue residue from surfaces before turning on the refrigerator. Rub a small amount of liquid dish soap over the adhesive with your fingers. Wipe with warm water and dry.
- Do not use sharp instruments, rubbing alcohol, flammable fluids, or abrasive cleaners to remove tape or glue. These products can damage the surface of your refrigerator. For more information, see "Refrigerator Safety."
- Dispose of/recycle all packaging materials.

### When Moving Your Refrigerator:

Your refrigerator is heavy. When moving the refrigerator for cleaning or service, be sure to cover the floor with cardboard or hardboard to avoid floor damage. Always pull the refrigerator straight out when moving it. Do not wiggle or "walk" the refrigerator when trying to move it, as floor damage could occur.

### Clean Before Using

After you remove all of the packaging materials, clean the inside of your refrigerator before using it. See the cleaning instructions in "Refrigerator Care."

### Important information to know about glass shelves and covers:

Do not clean glass shelves or covers with warm water when they are cold. Shelves and covers may break if exposed to sudden temperature changes or impact, such as bumping. Tempered glass is designed to shatter into many small, pebble-size pieces. This is normal. Glass shelves and covers are heavy. Use both hands when removing them to avoid dropping

## Location Requirements

### **⚠WARNING**



#### Explosion Hazard

Keep flammable materials and vapors, such as gasoline, away from appliance.

Use nonflammable cleaner.

Failure to do so can result in death, explosion, or fire.

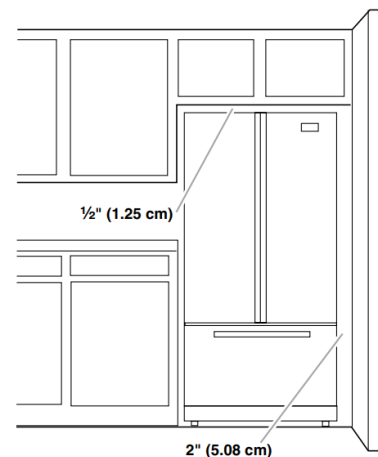
**IMPORTANT:** This appliance is intended to be used indoor for household and similar applications such as:

- Staff kitchen areas in shops, offices and other working environments.
- Farm houses and by clients in hotels, motels and other residential type environments.
- Bed and breakfast type environments.
- Catering and similar non-retail applications.

**NOTE:** If the manufacturer wants to limit the use of the appliance to less than the above, this has to be clearly stated in the instructions.

To ensure proper ventilation for your refrigerator, allow for a 1/2" (1.25 cm) of space on each side and at the top. Allow for a 1" (2.54 cm) space behind the refrigerator. If your refrigerator has an ice maker, allow extra space at the back for the water line connections. When installing your refrigerator next to a fixed wall, leave a 2" (6.3 cm) minimum space between the refrigerator and wall to allow the door to swing open.

**NOTE:** This refrigerator is intended for use in a location where the temperature ranges from a minimum of 55°F (13°C) to a maximum of 110°F (43°C). The preferred room temperature range for optimum performance, which reduces electricity usage and provides superior cooling, is between 60°F (15°C) and 90°F (32°C). It is recommended that you do not install the refrigerator near a heat source, such as an oven or radiator.





# Electrical Requirements

## **⚠ WARNING**



### Electrical Shock Hazard

**Plug into a grounded 3 prong outlet.**

**Do not remove ground prong.**

**Do not use an adapter.**

**Do not use an extension cord.**

**Failure to follow these instructions can result in death, fire, or electrical shock.**

Before you move your refrigerator into its final location, it is important to make sure you have the proper electrical connection.

If the supply cord is damaged, it must be replaced by the manufacturer or its service agent or a similarly qualified person. Do not use a cord that shows cracks or abrasion damage along its length or at either the plug or connector end.

### Recommended Grounding Method

A 115 V, 60 Hz, AC-only 15 A or 20 A fused, grounded electrical supply is required. It is recommended that a separate circuit serving only your refrigerator and approved accessories be provided. Use an outlet that cannot be turned off by a switch. Do not use an extension cord.

**IMPORTANT:** If this product is connected to a GFCI (Ground Fault Circuit Interrupter) protected outlet, nuisance tripping of the power supply may occur, resulting in loss of cooling. Food quality and flavor may be affected. If nuisance tripping has occurred, and if the condition of the food appears poor, dispose of the food.

**NOTE:** Before performing any type of installation or cleaning, or removing a light bulb, turn cooling off or turn the control (Thermostat, Refrigerator or Freezer Control depending on the model) to Off. On models with a digital temperature control, press the minus sign touch pads repeatedly until a dash (-) appears in both the freezer and refrigerator displays. Disconnect the refrigerator from the electrical source. When you are finished, reconnect the refrigerator to the electrical source and turn cooling on or reset the control (Thermostat, Refrigerator or Freezer Control depending on the model) to the desired setting. See the "Quick Start Guide".

## Water Supply Requirements

Gather the required tools and parts before starting installation. Read and follow the instructions provided with any tools listed here.

### Tools Needed:

- Flat-blade screwdriver
- 1/4" Nut driver
- 7/16" and 1/2" Open-end or two adjustable wrenches
- 1/4" Drill bit
- Cordless drill

- Connect to potable water supply only

Do not use with water that is microbiologically unsafe or of unknown quality without adequate disinfection before or after the system. Systems certified for cyst reduction may be used on disinfected waters that may contain filterable cysts.

- All installations must meet local plumbing code requirements.

- Do not use a piercing-type or 3/16" (4.76 mm) saddle valve which reduces water flow and clogs more easily.
- Use copper or PEX tubing and check for leaks. Install copper or PEX tubing only in areas where the household temperatures will remain above freezing.
- For models with water filters, the disposable water filter should be replaced at least every 6 months.

### Water Pressure

A cold water supply with water pressure of between 35 psi and 120 psi (241 kPa and 827 kPa) is required to operate the water dispenser and ice maker. If you have questions about your water pressure, call a licensed, qualified plumber.

**NOTE:** If the water pressure is less than what is required, the flow of water from the water dispenser could decrease or ice cubes could be hollow or irregular shaped.

### Reverse Osmosis Water Supply

**IMPORTANT:** The pressure of the water supply coming out of a reverse osmosis system going to the water inlet valve of the refrigerator needs to be between 35 and 120 psi (241 and 827 kPa).

If a reverse osmosis water filtration system is connected to your cold water supply, the water pressure to the reverse osmosis system needs to be a minimum of 40 psi to 60 psi (276 kPa to 414 kPa).

If the water pressure to the reverse osmosis system is less than 40 psi to 60 psi (276 kPa to 414 kPa):

- Check to see whether the sediment filter in the reverse osmosis system is blocked. Replace the filter if necessary.
  - Allow the storage tank on the reverse osmosis system to refill after heavy usage. The tank capacity could be too small to keep up with the requirements of the refrigerator.
- NOTE:** Faucet-mounted reverse osmosis systems are not recommended.
- If your refrigerator has a water filter, it may further reduce the water pressure when used in conjunction with a reverse osmosis system. Remove the water filter. See "Water Filtration System".

If you have questions about your water pressure, call a licensed, qualified plumber.

## Connect the Water Supply

Read all directions before you begin.

### IMPORTANT:

- Plumbing shall be installed in accordance with the International Plumbing Code and any local codes and ordinances.
- The gray water tubing on the back of the refrigerator (which is used to connect to the household water line) is a PEX (cross-linked polyethylene) tube. Copper and PEX tubing connections from the household water line to the refrigerator are acceptable, and will help avoid off-taste or odor in your ice or water. Check for leaks. If PEX tubing is used instead of copper, we recommend the following part numbers: W10505928RP (7 ft. [2.14 m] jacketed PEX), 8212547RP (5 ft. [1.52 m] PEX), or W10267701RP (25 ft. [7.62 m] PEX).

- Install tubing only in areas where temperatures will remain above freezing.

- Connect to a potable water supply only.

Do not use with water that is microbiologically unsafe or of unknown quality without adequate disinfection before or after the system. Systems certified for cyst reduction may be used on disinfected waters that may contain filterable cysts.

**Tools Needed:**

Gather the required tools and parts before starting installation.

- Flat-blade screwdriver
- 1/4" Nut driver
- 7/16" and 1/2" Open-end or two adjustable wrenches
- 1/4" Drill bit
- Cordless drill

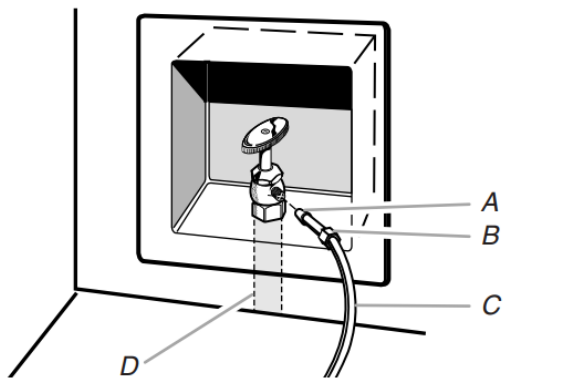
**NOTE:** Your refrigerator dealer has a kit available with a 1/4" (6.35 mm) saddle-type shutoff valve, a union, and copper or PEX tubing. Before purchasing, make sure a saddle-type valve complies with your local plumbing codes. Do not use a piercing-type or 3/16" (4.76 mm) saddle valve which reduces water flow and clogs more easily.

**Connect to Water Line**

**IMPORTANT:** If you turn on the refrigerator before the water line is connected, turn off the ice maker.

1. Unplug refrigerator or disconnect power.
2. Turn off main water supply. Turn on nearest faucet long enough to clear line of water.
3. Use a quarter-turn shutoff valve or the equivalent, served by a 1/2" copper or PEX household supply line.

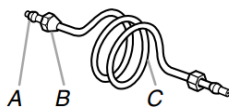
**NOTE:** To allow sufficient water flow to the refrigerator, a minimum 1/2" size copper or PEX household supply line is recommended.



A. Bulb  
B. Nut  
C. Copper or PEX tubing (to refrigerator)  
D. Household supply line (1/2" minimum)

4. Now you are ready to connect the copper or PEX tubing to the shutoff valve. Use 1/4" (6.35 mm) O.D. (outside diameter) soft copper or PEX tubing to connect the shutoff valve and the refrigerator.

- Ensure that you have the proper length needed for the job. Be sure both ends of the copper tubing are cut square.
- Slip compression sleeve and compression nut onto copper tubing as shown. (PEX tubing has compression sleeves and compression nuts preinstalled.) Insert end of tubing into outlet end squarely as far as it will go. Screw compression nut onto outlet end with adjustable wrench. Do not overtighten.



A. Compression sleeve  
B. Compression nut  
C. Copper or PEX tubing

5. Place the free end of the tubing into a container or sink, and turn on main water supply to flush out tubing until water is clear. Turn off shutoff valve on the water pipe.

**NOTE:** Always drain the water line before making the final connection to the inlet of the water valve, to avoid possible water valve malfunction.

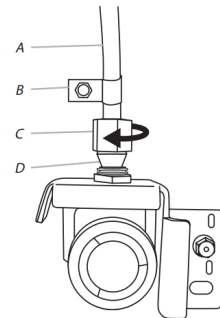
6. Bend the copper or PEX tubing to meet the water line inlet, which is located on the back of the refrigerator cabinet. Leave a coil of copper or PEX tubing to allow the refrigerator to be pulled out of the cabinet or away from the wall for service.

**Connect to Refrigerator**

Depending on your model, the water line may come down from the top or up from the bottom. Follow the connection instructions for your model.

**Style 1**

1. Remove plastic cap from water valve inlet port. Attach the copper or PEX tube to the valve inlet using a compression nut and sleeve as shown. Tighten the compression nut. Do not overtighten. Confirm copper or PEX tubing is secure by pulling on tubing.
2. Create a service loop with the copper tubing. Avoid kinks when coiling the tubing. Secure copper or PEX tubing to refrigerator cabinet with a "P" clamp.



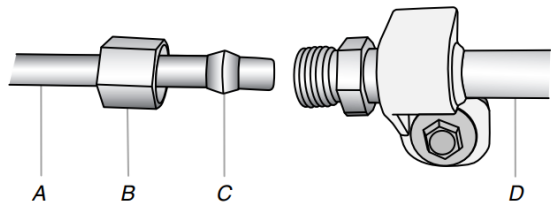
A. Copper or PEX tubing  
B. "P" clamp  
C. Compression nut  
D. Compression sleeve

3. Turn on water supply to refrigerator and check for leaks. Correct any leaks.

**Style 2**

1. Unplug refrigerator or disconnect power.
2. Remove and discard the short, black plastic part from the end of the water line inlet.
3. Thread the nut onto the end of the tubing. Tighten the nut by hand. Then tighten it with a wrench two more turns. Do not overtighten.

**NOTE:** To avoid rattling, be sure the copper tubing does not touch the cabinet's side wall or other parts inside the cabinet.



A. Household water line  
B. Nut (purchased)  
C. Ferrule (purchased)  
D. Refrigerator water tubing

4. Install the water supply tube clamp around the water supply line to reduce strain on the coupling.
5. Turn shutoff valve on.
6. Check for leaks. Tighten any connections (including connections at the valve) or nuts that leak.
7. On some models, the ice maker is equipped with a built-in water strainer. If your water conditions require a second water strainer, install in the 1/4" (6.35 mm) water line at either tube connection. Obtain a water strainer from your appliance dealer.

## Complete the Installation

### ⚠ WARNING



#### Electrical Shock Hazard

**Plug into a grounded 3 prong outlet.**

**Do not remove ground prong.**

**Do not use an adapter.**

**Do not use an extension cord.**

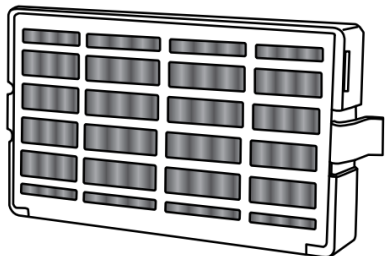
**Failure to follow these instructions can result in death, fire, or electrical shock.**

1. Plug into a grounded 3–prong outlet.  
**NOTE:** Allow 24 hours to produce the first batch of ice. Discard the first three batches of ice produced. Allow 3 days to completely fill the ice storage bin.
2. Flush the water system. See “Water and Ice Dispensers.”

## Install Air Filter (on some models)

The air filter reduces the buildup of odors. This helps to maintain a cleaner environment inside your refrigerator. An air filter is 15 times more powerful than baking soda at reducing common food odors inside the refrigerator.

Your refrigerator's accessory packet includes an air filter, which must be installed prior to use. On some models, the air filter is already installed at the factory.



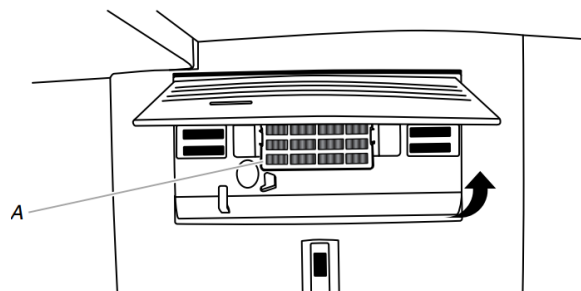
### Installing the Air Filter

Depending on your model, the air filter can be installed in one of the following ways:

#### Style 1—Behind Vented Door:

Install the air filter behind the vented door, located on the rear wall near the top of the refrigerator compartment.

1. Remove the air filter from its packaging.  
**NOTE:** An air filter status indicator is included with the air filter. The indicator is not needed for models that display the air filter status on the control panel.
2. Lift open the vented door.
3. Snap the filter into place.

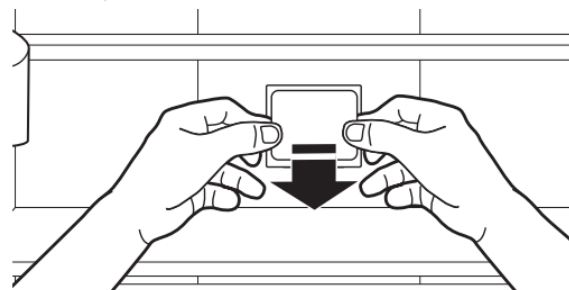


A. Air filter

#### Style 2—Behind LED Vent Cover

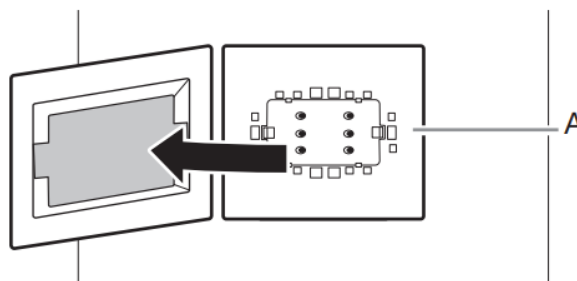
Install the air filter behind the blue LED-lighted vent cover, located on the rear wall near the middle of the refrigerator.

1. Remove the air filter from its packaging.
2. Firmly grasp plastic cover on the vented cover with both hands and pull out to remove.



**NOTE:** When cover is removed for the first time, a small foam part the size of the filter will need to be discarded.

3. Snap the filter into place.



A. Air filter

### Installing the Filter Status Indicator (on some models)

The air filter icon on the control panel displays the air filter status.

- **Blue:** Good.
- **Yellow:** Order a replacement.
- **Red:** Replace air filter.
- **Red and flashing “Replace Filter”:** Expired.

After replacing the air filter, press and hold the Air Filter button for 3 seconds. The filter icons will turn off. See “Quick Start Guide.” When the system is reset, the air filter icon will return to its blue color and the words “Replace Filter” will disappear from the control panel.

**NOTE:** At any filter status, pressing and holding the Air Filter button for 3 seconds will reset the air filter status to Good and the air filter icon will turn off.

### Replacing the Air Filter

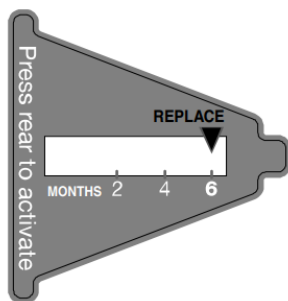
The disposable air filter should be replaced every 6 months, or when the status indicator air filter icon turns on and starts flashing when the refrigerator door is opened.

To order a replacement air filter, see ordering information in the Quick Start Guide.

1. Remove the used air filter by squeezing in on the side tabs.
2. Install the new air filter and status indicator using the instructions in the previous sections.

### Air Filter Status Indicator—Standard Installation

The filter comes with a status indicator, which should be activated and installed at the same time the air filter is installed.



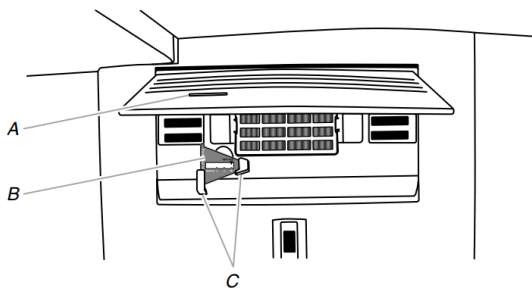
1. Place the indicator facedown on a firm, flat surface.
2. Apply pressure to the bubble on the back of the indicator, until the bubble pops to activate the indicator.
3. Lift open the vented air filter door. On some models, there are notches behind the door.

#### On models with notches:

- With the indicator screen facing outward, slide the indicator down into the notches.

**NOTE:** The indicator will not easily slide into the notches if the rear bubble has not been popped.

- Close the air filter door, and check that the indicator is visible through the window in the door.



- A. Status indicator window
- B. Air filter status indicator
- C. Notches

- Place the indicator in a visible place you will easily remember—either inside the refrigerator or elsewhere in your kitchen or home.

### Replacing the Air Filter

The disposable air filter should be replaced every 6 months, when the status indicator has completely changed from white to red.

To order a replacement air filter, see ordering information in the Quick Start Guide.

1. Remove the used air filter by squeezing in on the side tabs.
2. Remove the used status indicator.
3. Install the new air filter and status indicator using the instructions in the previous sections.

### Install Produce Preserver (on some models)

Your refrigerator's accessory packet includes a Produce Preserver, which should be installed prior to use. On some models, the Produce Preserver is already installed at the factory. To order a replacement produce preserver, use part number W10346771.

The Produce Preserver absorbs ethylene, allowing the ripening process of many produce items to slow down. As a result, certain produce items will stay fresh longer.

Ethylene production and sensitivity varies depending on the type of fruit or vegetable. To preserve freshness, it is best to separate produce with sensitivity to ethylene from fruits that produce moderate to high amounts of ethylene.

	Sensitivity to Ethylene	Ethylene Production
Apples	High	Very High
Asparagus	Medium	Very Low
Berries	Low	Low
Broccoli	High	Very Low
Cantaloupe	Medium	High
Carrots	Low	Very Low
Citrus Fruit	Medium	Very Low
Grapes	Low	Very Low
Lettuce	High	Very Low
Pears	High	Very High
Spinach	High	Very Low

### Installing the Produce Preserver

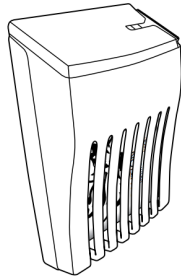
**CAUTION: IRRITANT. MAY IRRITATE EYES AND SKIN. DANGEROUS FUMES FORM WHEN MIXED WITH OTHER PRODUCTS.**

Do not mix with cleaning products containing ammonia, bleach, or acids. Do not get in eyes, on skin or clothing. Do not breathe dust. Keep out of reach of children.

**FIRST AID TREATMENT:** Contains potassium permanganate. If swallowed, call a Poison Control Center or doctor immediately. Do not induce vomiting. If in eyes, rinse with water for 15 minutes. If on skin, rinse with water.

### Style 1– Located Inside the Refrigerator:

1. Find the Produce Preserver housing inside the refrigerator.



2. Lift up on the housing to remove it from the mounting tab.
3. Open the housing by pulling up and out on the back of the top of the housing.
4. Remove the Produce Preserver pouches from the packaging. Place them into the housing then snap housing back together.  
**NOTE:** For best performance, always use two pouches.
5. Adhere the Produce Preserver housing to the back wall of the crisper drawer according to the instructions included in the package.
6. Place housing back on mounting tab.

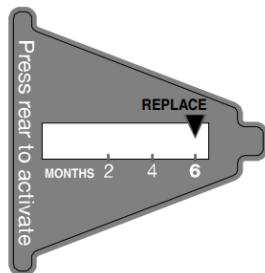
### Style 2–Located in Crisper or Refrigerator Drawers:

For your convenience, the suction-mounted produce preserver can be installed in either the crisper or the refrigerated drawers.

1. Wash the interior of a drawer with a solution of mild dish soap and warm water and dry thoroughly.
2. Find the package containing the Produce Preserver inside the refrigerator and install the Produce Preserver into the drawer, according to the instructions provided in the package.

### Installing the Status Indicator

The Produce Preserver comes with a status indicator, which should be activated and installed at the same time the pouch is installed.



1. Place the indicator facedown on a firm, flat surface.
2. Apply pressure to the bubble on the back of the indicator, until the bubble pops to activate the indicator.
3. Slide open the cap on the Produce Preserver housing.
4. Place the indicator in the top of the housing, facing outward.
5. Slide the cap closed, and check that the indicator is visible through the rectangular hole in the cap.

**NOTE:** The cap will not close easily if the indicator's rear bubble has not been popped.

### Replacing the Produce Preserver Pouches

The disposable pouches should be replaced every 6 months, when the status indicator has completely changed from white to red.

To order replacements, see the contact information in the Quick Start Guide. Order part number W10346771A or FRESH1.

1. Remove the used pouches from the produce preserver housing.
2. Remove the used status indicator.
3. Install the new pouches and status indicator using the instructions in the previous sections or instructions included in the replacement packets.

## REFRIGERATOR FEATURES

### Crisper Humidity Control (on some models)

You can control the amount of humidity in the moisture-sealed crisper. Depending on your model, adjust the control to any setting between Fruit and Vegetables or Low and High.

#### Fruit/Low (open):

Move control to allow moist air out of the crisper for best storage of fruits and vegetables with skins.

- Fruit: Wash, let dry and store in refrigerator in plastic bag or crisper. Do not wash or hull berries until they are ready to use. Sort and keep berries in original container in crisper, or store in a loosely closed paper bag on a refrigerator shelf.
- Vegetables with skins: Place in plastic bags or plastic container and store in crisper.

#### Vegetables/High (closed):q

Move control to keep moist air in the crisper for best storage of fresh, leafy vegetables.

- Leafy vegetables: Wash in cold water, drain and trim or tear off bruised and discolored areas. Place in plastic bag or plastic container and store in crisper.

## Water and Ice Dispensers (on some models)

For additional information on how to use your water and ice dispensers, see the online “Dispensing Guide.”

### IMPORTANT:

- After connecting the refrigerator to a water source or replacing the water filter, flush the water system. Use a sturdy container to depress and hold the water dispenser pad for 5 seconds, then release it for 5 seconds. Repeat until water begins to flow. Once water begins to flow, continue depressing and releasing the dispenser pad (5 seconds on, 5 seconds off) until a total of 4 gal. (15 L) has been dispensed. This will flush air from the filter and water dispensing system, and prepare the water filter for use. Additional flushing may be required in some households. As air is cleared from the system, water may spurt out of the dispenser.
- Allow 24 hours for the refrigerator to cool down and chill water. Dispense enough water every week to maintain a fresh supply.
- Allow 24 hours to produce the first batch of ice. Discard the first three batches of ice produced.
- The dispenser will dispense either water or ice.
- The dispensing system will not operate when the refrigerator door is open.
- On some models, the display screen on the dispenser control panel will turn off automatically and enter “sleep” mode when the control buttons and dispenser levers have not been used for 2 minutes or more. While in “sleep” mode, the first press of a control button will only reactivate the display screen without changing any settings. After reactivation, changes to any settings can then be made. If no changes are made within 2 minutes, the display will re-enter “sleep” mode.

### Flush the Water System

Air in the water dispensing system can cause the water dispenser to drip. After connecting the refrigerator to a water source or replacing the water filter, flush the water system.

Flushing the water dispensing system forces air from the water line and filter and prepares the water filter for use. Additional flushing may be required in some households.

**NOTE:** As air is cleared from the system, water may spurt out of the dispenser.

1. Using a sturdy container, depress and hold the water dispenser paddle for 5 seconds.
2. Release the dispenser paddle for 5 seconds. Repeat steps 1 and 2 until water begins to flow.
3. Once water begins to flow, continue depressing and releasing the dispenser pad (5 seconds on, 5 seconds off) until a total of 3 gal. (12 L) has been dispensed.

## The Water Dispenser

### IMPORTANT:

Dispense at least 1 qt. (1 L) of water every week to maintain a fresh supply.

If the flow of water from the dispenser decreases, it could be caused by low water pressure.

- With the water filter removed, dispense 1 cup (237 mL) of water. If 1 cup of water is dispensed in 8 seconds or less, the water pressure to the refrigerator meets the minimum requirement.
- If it takes longer than 8 seconds to dispense 1 cup (237 mL) of water, the water pressure to the refrigerator is lower than recommended. See “Water Supply Requirements” and online “Troubleshooting” for more information.

### Cleaning the Ice Dispenser Chute

Humidity causes ice to naturally clump together. Ice particles can build up until the ice dispenser chute becomes blocked.

If ice is not dispensed regularly, it may be necessary to empty the ice storage bin and clean the ice delivery chute, the ice storage bin and the area beneath the storage bin every 2 weeks.

- If necessary, remove the ice clogging the storage bin and delivery chute, using a plastic utensil.
- Clean the ice delivery chute and the bottom of the ice storage bin using a warm, damp cloth and dry thoroughly.

## Ice Maker and Storage Bin

### IMPORTANT:

To avoid low ice production and poor quality ice, flush the water system before turning on the ice maker. See “Water and Ice Dispenser” for details.

- Following installation, allow 24 hours to produce the first batch of ice. Allow 2 to 3 days to fill the ice storage bin.
- For models with a water filter, after connecting the refrigerator to a water source or replacing the water filter, fill and discard three full containers of ice to prepare the water filter for use.
- The quality of your ice will be only as good as the quality of the water supplied to your ice maker. Avoid connecting the ice maker to a softened water supply. Water softener chemicals (such as salt) can damage parts of the ice maker and lead to poor quality ice. If a softened water supply cannot be avoided, make sure the water softener is operating properly and is well maintained.
- If the ice in the storage bin clumps together, break up ice using a plastic utensil and discard ice. Do not use anything sharp to break up the ice. This can cause damage to the ice bin and the dispenser mechanism.
- Do not store anything on top of the ice maker or in the ice storage bin.

### Ice Production Rate

Allow 24 hours to produce the first batch of ice. Discard the first three batches of ice produced.

Allow 3 days to completely fill the ice storage bin. The ice maker should produce approximately 3 lbs (1.4 kg) (8 to 12 batches) of ice in a 24-hour period.

To increase ice production, lower the freezer and refrigerator temperature, or see “Control Panel Descriptions” in the Quick Start Guide for details. Wait 24 hours between adjustments.



## Ice Maker in the Freezer

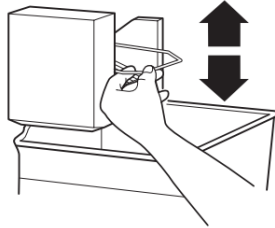
Ice maker kit can be added to some models. See serial tag inside the food compartment of appliance for ice maker kit model information. Refer to the Quick Start Guide for contact information.

### Turn the Ice Maker On/Off:

To turn on the ice maker, simply lower the wire shutoff arm.

To manually turn the ice maker off, lift the wire shutoff arm to the off (arm up) position and listen for the click.

Your ice maker has an automatic shutoff. As ice is made, the ice cubes will fill the ice storage bin and the ice cubes will raise the wire shutoff arm to the off (arm up) position. Do not force the wire shutoff arm up or down.



**NOTE:** Turn off the ice maker before removing the ice storage bin to serve ice or to clean the bin. This will keep the ice cubes from dropping out of the ice maker and into the freezer compartment. After replacing the ice storage bin, turn on the ice maker.

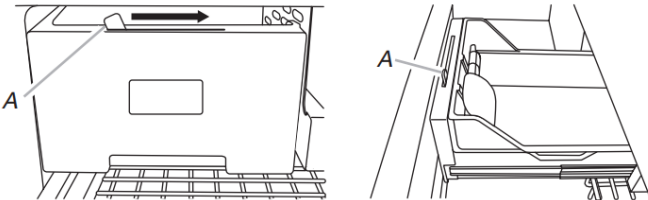
Wash the ice storage bin with mild soap and warm water.

Slide the ice storage bin under the ice maker and push it toward the back as far as it will go.

### Auto Ice Storage Bin (on some models):

Your ice storage bin has a lever which allows the storage bin to slide out with the drawer when it is pulled open or to stay in place.

- Move the lever to the right to attach the ice storage bin to the freezer drawer.
- Move the lever to the left to release the ice storage bin from the freezer drawer.



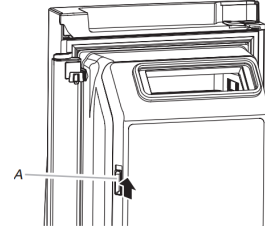
A. Ice storage bin lever

## Ice Maker in the Refrigerator (on some models) Style 1— Left-Hand Refrigerator Door

The ice maker is located on the left-hand side of the refrigerator door. Ice cubes are ejected into the ice storage bin, located on the left-hand refrigerator door.

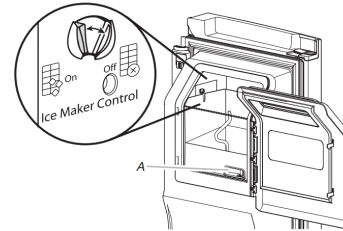
### Turn the Ice Maker On/Off:

1. Push up on the latch on the left-hand side of the ice compartment to open the door.



A. Ice compartment door latch

2. Turn on the ice maker by moving the switch to the (left) on position.
  - To manually turn off the ice maker, move the control to the off (right) position.
  - Your ice maker has an automatic shutoff. The sensor will automatically stop ice production if the storage bin is full, if the door is open or the storage bin is removed. The control will remain in the on (left) position.



A. Ice storage bin release latch

3. Close the ice compartment door.



### Remove and Replace the Ice Storage Bin:

- Remove the ice storage bin by inserting your fingers into the hole at the base of the bin and squeezing the latch to release the bin from the compartment. Lift the storage bin up and pull it straight out.
- Replace the storage bin inside the ice compartment and push down to make sure it is firmly in place.

### Style 2— Upper Left-Hand Side of the Refrigerator Compartment

The ice maker and storage bin are located in the upper left-hand side of the refrigerator compartment.

#### Turn the Ice Maker On/Off:

The ice maker has an automatic shutoff. When the ice maker is on, sensors will automatically stop ice production when the storage bin is full. The ice maker will remain set to on, and ice production will resume when the bin is no longer full.

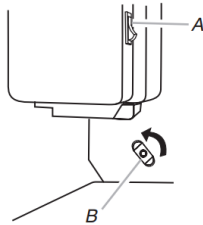
**NOTE:** Some models have an on/off switch located on the ice maker storage bin. To turn on the ice maker, press the switch to the On position. To manually turn off the ice maker, press the switch to the Off position.

To manually turn off the ice maker, see the Quick Start Guide for more information.

### Remove and Replace the Ice Storage Bin:

1. Hold the base of the storage bin and press the release button on the lower right.
2. Pull out the storage bin until resistance is felt. Lift up the front of the ice bin and remove.
3. Press the switch to Off (on some models).

**IMPORTANT:** To remove the ice storage bin, it may be necessary to turn the auger driver, behind the ice bin, counterclockwise to properly align the ice bin with the auger driver. The ice storage bin must be locked in place for proper ice dispensing.



A. On position (on some models)  
B. Auger driver

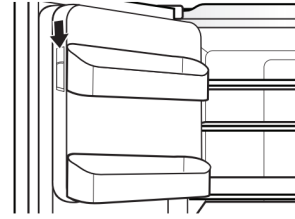
1. Press the switch to On (on some models).
2. Slide the ice bin into the guide rails located on either side of the enclosure.
3. Push the ice bin in until resistance is felt. Raise the front slightly and push the ice bin in until an audible “click” is heard.

### Style 3— Left-Hand Door Behind the Refrigerator Bins

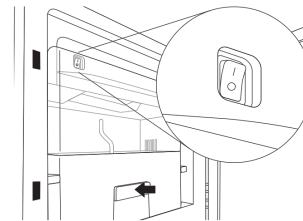
The ice maker is located on the left door behind the bins. Ice cubes are ejected into the ice storage bin located on the left-hand refrigerator door.

#### Turn the Ice Maker On/Off:

1. Push up on the latch on the left-hand side of the ice compartment to open the door.



2. Turn on the ice maker by moving the switch to the On (I) position.



3. Close the ice compartment door.

### Remove and Replace the Ice Storage Bin:

- Remove the ice storage bin by inserting your fingers into the hole at the base of the bin and squeezing the latch to release the bin from the compartment. Lift the storage bin up and pull it straight out.
- Replace the storage bin inside the ice compartment and push down to make sure it is firmly in place.

## Water Filtration System

Do not use with water that is microbiologically unsafe or of unknown quality without adequate disinfection before or after the system. Systems certified for cyst reduction may be used on disinfected waters that may contain filterable cysts.

**IMPORTANT:** The disposable water filter should be replaced at least every 6 months. If the water flow to the water dispenser or ice maker decreases noticeably before 6 months have passed, replace the water filter more often.

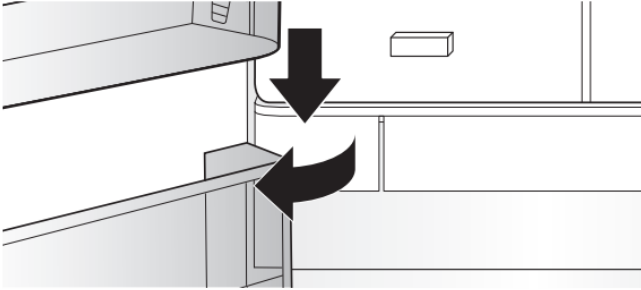
### Install the Water Filter

To order a replacement filter, contact us at [www.whirlpool.com/Parts & Accessories](http://www.whirlpool.com/Parts%20and%20Accessories). See the “Quick Start Guide” for details.

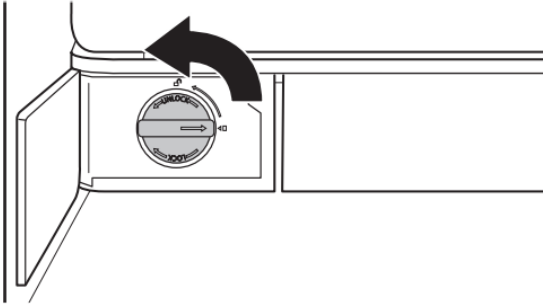
**NOTE:** If the filter is not installed correctly, water may dispense at a lower flow rate and there will be slower ice production. Improper filter installation may also cause the water filter housing to leak.

### Style 1 — Bottom Left of Refrigerator Compartment

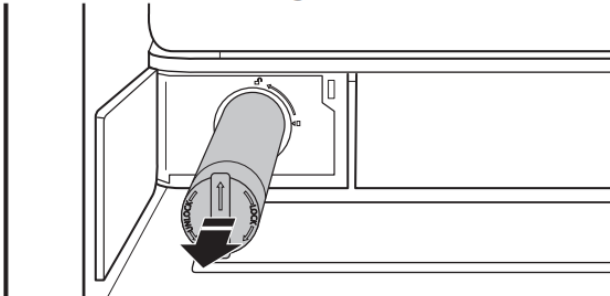
1. Push the water filter door to open, located bottom left of refrigerator compartment.



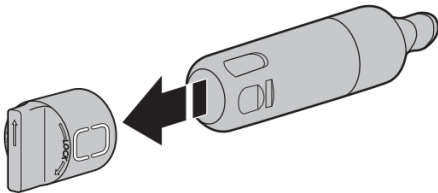
2. Twist the water filter and turn 90° counterclockwise to unlock.



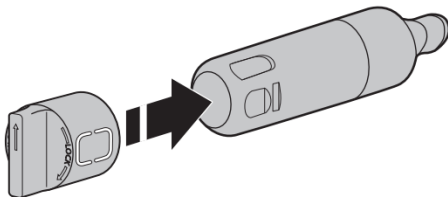
3. Pull the filter out of the housing.



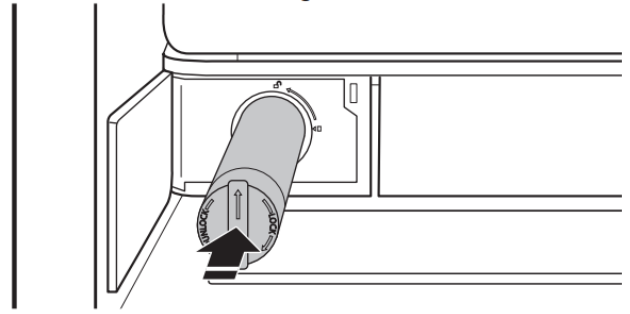
4. Remove the water filter cap from the water filter.



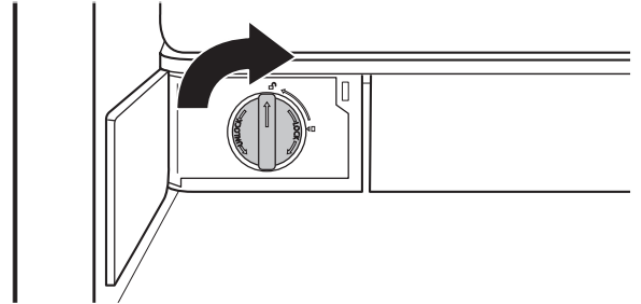
5. Install the water filter cap onto the new filter. Be sure to align the arrows so the grooves in the filter align with ribs in the filter cap.



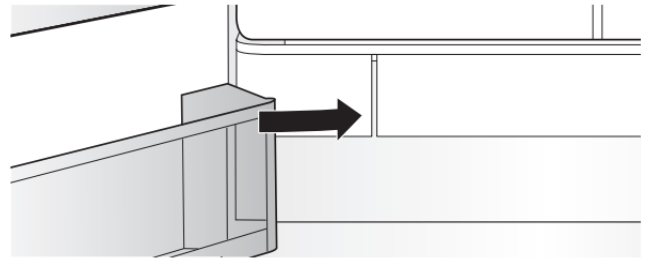
6. Insert the filter into the housing.



7. Twist the water filter and turn 90° clockwise until it locks into place and the arrows are aligned.

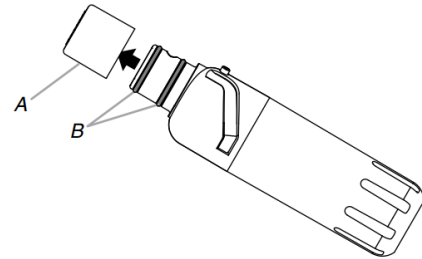


8. Push the water filter door closed.



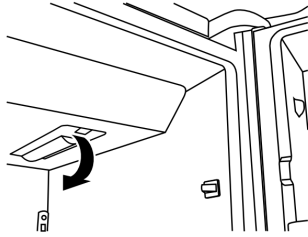
### Style 2— Right-Hand Side of Refrigerator Ceiling

1. Locate the accessory packet in the refrigerator and remove the water filter.
2. Take the water filter out of its packaging and remove the cover from the O-rings. Be sure the O-rings are still in place after the cover is removed.



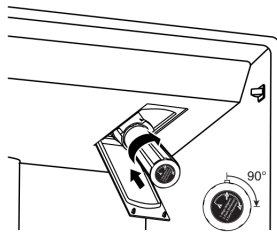
- A. O-ring cover
- B. O-rings

- The water filter compartment is located in the right-hand side of the refrigerator ceiling. Push up on the compartment door to release the catch, then lower the door.



- Align the arrow on the water filter label with the cutout notch in the filter housing and insert the filter into the housing.
- Turn the filter clockwise 90 degrees (1/4 turn), until it locks into the housing.

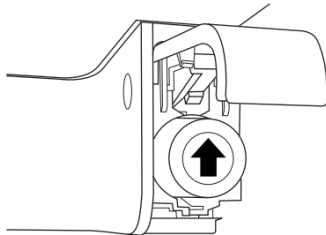
**NOTE:** If the filter is not correctly locked into the housing, the water dispenser will not operate. Water will not flow from the dispenser.



- While the compartment door is still open, lift the filter up into the compartment. Then, close the filter compartment door completely.
- Flush the water system. See “Water and Ice Dispensers” for details.

**IMPORTANT:** If you do not flush the water system, you may experience dripping and/or decreased flow from the water dispenser.

### Style 3— Top-right Corner of Refrigerator Ceiling



- Locate the water filter in the top-right corner of the refrigerator compartment.
- Lift open the filter cover door. The filter will be released and then eject as the door is opened.
- When the door is completely open, pull the filter straight out.

**NOTE:** There may be some water in the filter. Some spilling may occur. Use a towel to wipe up any spills.

- Take the new filter out of its packaging and remove the covers from the O-rings. Be sure the O-rings are still in place after the covers are removed.

- With the arrow pointing up, align the new filter with the filter housing and slide it into place. The filter cover door will automatically begin to close as the new filter is inserted.
- Close the filter cover door completely in order to snap the filter into place. You may need to press hard.
- Flush the water system. See “Water and Ice Dispensers” for details.

### Replacing the Water Filter

To purchase a replacement water filter, use model number UKF8001AXX-200 or UKF8001AXX-750, contact your dealer, or call **1-800-422-9991** in the U.S.A. or **1-800-807-6777** in Canada.

**IMPORTANT:** Air trapped in the water system may cause water and filter to eject. Always dispense water for at least 2 minutes before removing the filter or blue bypass cap.

- If applicable, press upward on the water filter cover to access the filter.
- Turn filter counterclockwise, and pull straight out to remove.
 

**NOTE:** There may be some water in the filter. Some spilling may occur. Use a towel to wipe up any spills.
- Remove sealing label from replacement filter and insert the filter end into the filter head.
- Turn the filter clockwise until it stops. Snap the filter cover closed.
- Flush the water system. See “Water and Ice Dispensers” for details.

**NOTE:** The dispenser feature may be used without a water filter installed. Your water will not be filtered. If this option is chosen, replace the filter with the blue bypass cap.

### Reset Water Filter Status

After replacing the water filter, press and hold Reset Filter or Filter Reset (depending on your model) for 3 seconds. The Order and Replace indicator lights will blink and then go off when the system is reset. On some models the indicator light will change to blue when the system is reset. See the “Quick Start Guide” for more information.

#### On models with Options and Measured Fill buttons located on the control panel:

After changing the water filter, reset the status light. Press the Options button to enter Options mode, then press Lock to initiate the reset, then press Measured Fill to confirm that you want to reset the status light. When the system is reset, the “Order” and “Replace” icons will disappear from the display screen.

#### On models with Water Filter button located on the control panel:

After changing the water filter, reset the status. Press and hold the Water Filter button for 3 seconds. When the system is reset, the water filter icon will return to Blue and the words “Replace Filter” will disappear from the display.

# DOOR AND HANDLE INSTRUCTIONS

## Door and Drawers

Depending on the width of your doorway, you may need to remove the doors to move the refrigerator into your home. Also, the door hinges are factory installed on the right-hand side. If you want the door to open from the other direction, you must reverse the door swing.

### IMPORTANT:

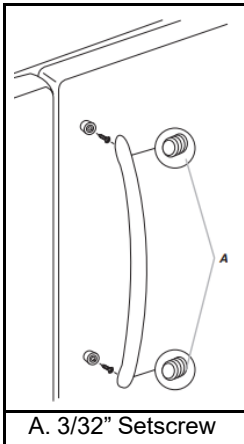
- If the refrigerator was previously installed and you are moving it out of the home, before you begin, turn the refrigerator control Off, and unplug the refrigerator or disconnect power. Remove food and any adjustable door or utility bins from doors.
- Keep the refrigerator doors closed until you are ready to lift them free from the cabinet. Provide additional support for the refrigerator door while the hinges are being removed. Do not depend on the door gasket magnets to hold the door in place while you are working.

**Tools Needed:** 5/16", 3/8", and 1/4" hex head socket wrenches, Torx®† T25 screwdriver, #2 Phillips screwdriver, and a flat-blade screwdriver.

## Remove and Replace Handles

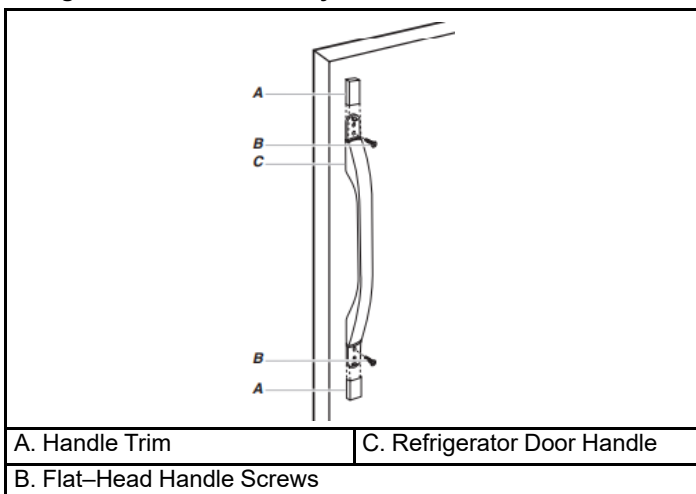
### REFRIGERATOR DOOR HANDLES

#### Refrigerator Door Handle Style 1



- Using a 3/32" or 1/8" hex key, loosen the two setscrews located on the side of each handle. Pull the handle straight out from the drawer. Make sure you keep the screws for reattaching the handles.
- To replace the handles, reverse the directions.

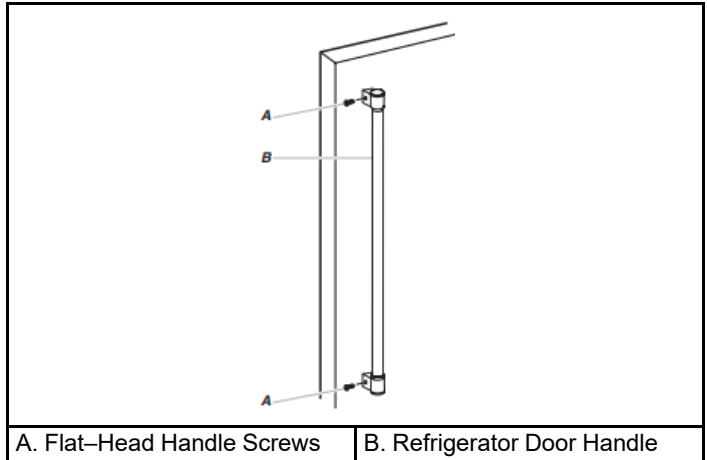
#### Refrigerator Door Handle Style 2



A. Handle Trim  
B. Flat-Head Handle Screws  
C. Refrigerator Door Handle

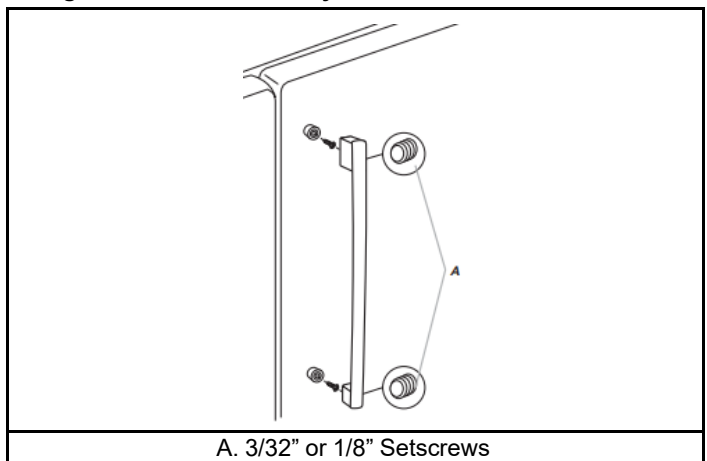
- Remove the screw cover.
- Remove the handle assembly. Keep all parts together.
- To replace the handles, reverse the directions.

#### Refrigerator Door Handle Style 3



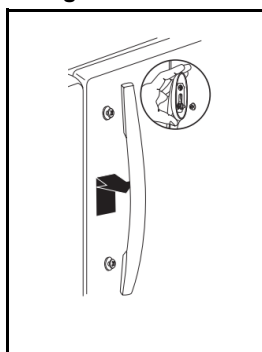
- Using a 3/32" or 1/8" hex key, loosen the two setscrews located on the side of each handle. Pull the handle straight out from the drawer. Make sure you keep the screws for reattaching the handles.
- To replace the handles, reverse the directions.

#### Refrigerator Door Handle Style 4



- To remove the handle, remove the screw attaching the trim to the upper end of the handle. Using a flat-blade screwdriver wrapped in masking tape, pry the trim piece from the lower end of the handle. Then, remove the screws attaching the handle to the door.
- To replace the handles, reverse the directions.

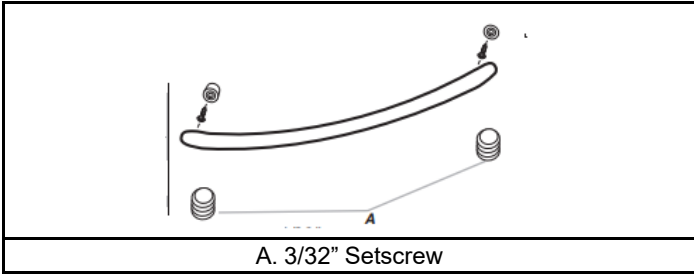
#### Refrigerator Door Handle Style 5



- To remove the handle, grasp the lower part of the handle firmly, slide the handle up and pull the handle straight out from the door.
- To replace the handle, position the handle so that the large holes in the mounting clips are down and align the holes with the door studs. Rotate the handle so that the mounting clips are flat against the door and slide the handle down to engage.

## FREEZER DOOR HANDLES

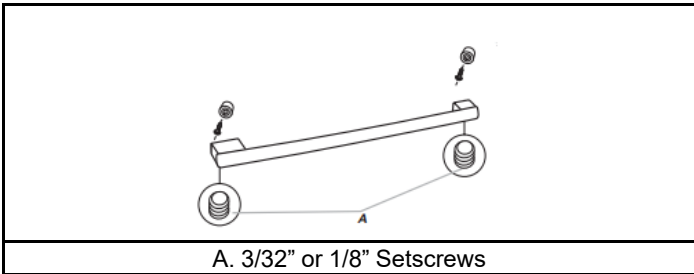
### Freezer Door Handle Style 1



A. 3/32" Setscrew

- Using a 3/32" or 1/8" hex key, loosen the two setscrews located on the side of each handle. Pull the handle straight out from the drawer. Make sure you keep the screws for reattaching the handles.
- To replace the handles, reverse the directions.

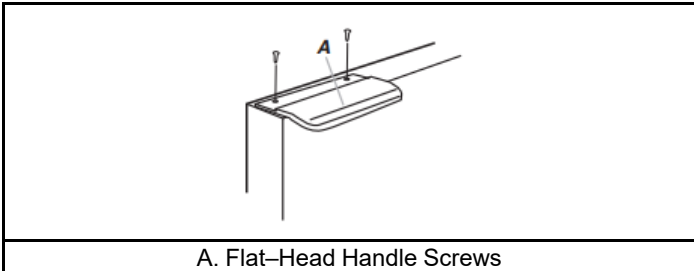
### Freezer Door Handle Style 2



A. 3/32" or 1/8" Setscrews

- Using a 3/32" or 1/8" hex key, loosen the two setscrews located on the side of each handle. Pull the handle straight out from the drawer. Make sure you keep the screws for reattaching the handles.
- To replace the handles, reverse the directions.

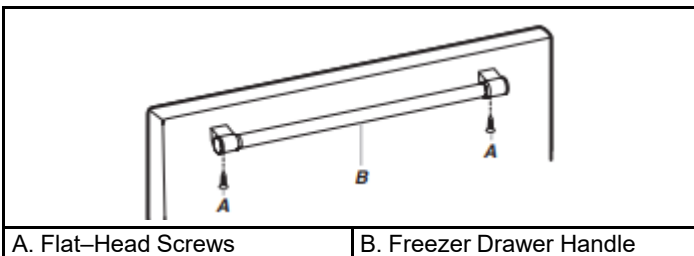
### Freezer Door Handle Style 3



A. Flat-Head Handle Screws

- Remove screws and handle.
- To replace the handles, reverse the directions.

### Freezer Door Handle Style 4

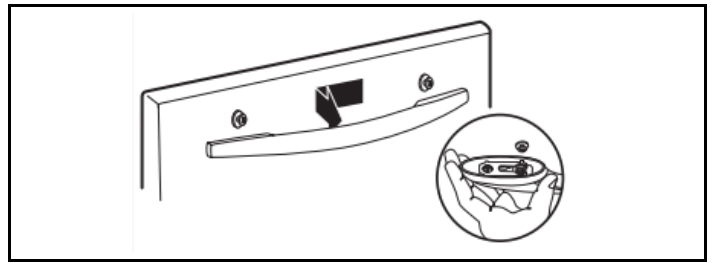


A. Flat-Head Screws

B. Freezer Drawer Handle

- Remove screws and handle.
- To replace the handles, reverse the directions.

### Freezer Door Handle Style 5



- To remove the handle, grasp the lower part of the handle firmly, slide the handle up and pull the handle straight out from the door.
- To replace the handle, position the handle so that the large holes in the mounting clips are down and align the holes with the door studs. Rotate the handle so that the mounting clips are flat against the door and slide the handle down to engage.

## Remove Refrigerator Doors and Hinges

### ⚠ WARNING



#### Electrical Shock Hazard

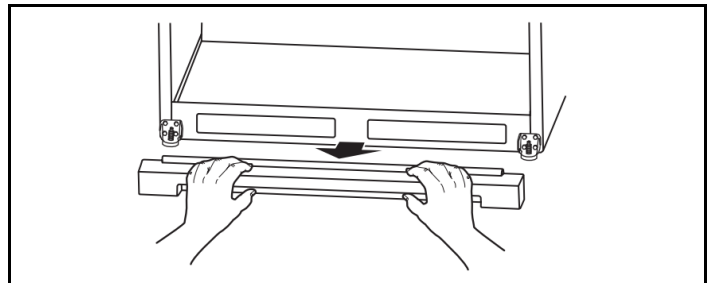
Disconnect power before removing doors.

Failure to do so could result in death or electrical shock.

1. Unplug refrigerator or disconnect power.
2. Remove base grille.

### BASE GRILLE

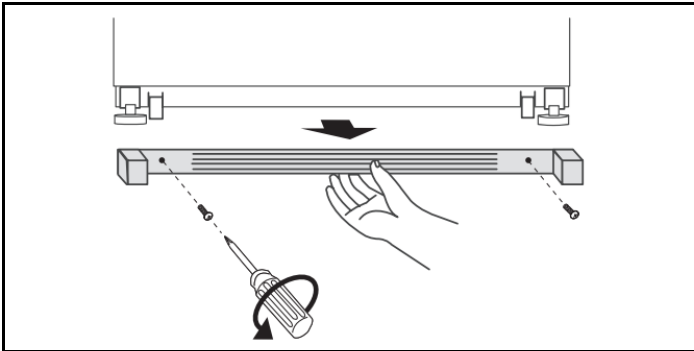
#### Style 1



- Using both hands, grasp the grille firmly and pull it toward you. Open the freezer drawer to access the brake feet.

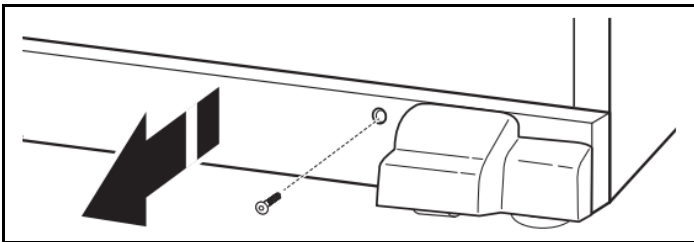
**NOTE:** To allow the refrigerator to roll easier, raise the brake feet by turning them counterclockwise. The front rollers will be touching the floor.

**Style 2**



- Remove the two screws fastening the base grille to the cabinet and set screws aside.
  - Grasp the grille and pull it toward you.
- NOTE:** To allow the refrigerator to roll easier, raise the brake feet by turning them counterclockwise. The front rollers will be touching the floor.

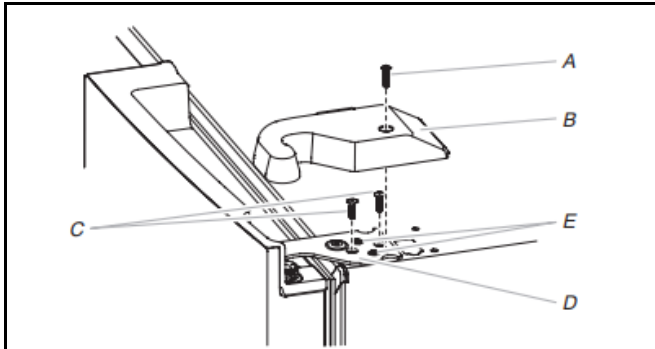
**Style 3**



- Use a 1/4" hex-nut driver to remove both screws in the base grille.
  - Using both hands, grasp the grille firmly and pull it toward you. Open the freezer drawer to access the brake feet.
- NOTE:** To allow the refrigerator to roll easier, raise the brake feet by turning them counterclockwise. The front rollers will be touching the floor.

**Remove Right-Hand Refrigerator Door**

3. Starting with the right-hand side door, remove the parts for the top hinge as shown below.



A. Top hinge cover screw	D. Top Hinge
B. Top hinge cover	E. Locator Screws
C. 3/16" Internal hex-head screws	

**NOTE:** Do not remove the two locator screws. These screws will help you align the hinge when you replace the door.

**⚠ WARNING**

**Excessive Weight Hazard**

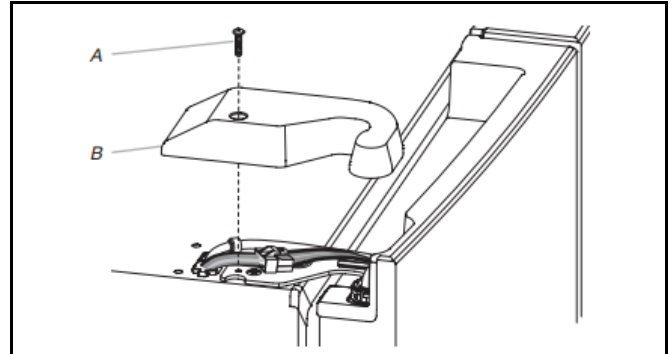
**Use two or more people to lift the appliance door. Failure to do so can result in back or other injury.**

4. Lift the refrigerator door from the bottom hinge pin. The top hinge will come away with the door.

**Remove Left-Hand Refrigerator Door**

**IMPORTANT:** On models with a water dispenser, the tubing and wiring for the water dispenser run through the left-hand door hinge, so they must be disconnected before removing the door.

1. Remove the cover from the top hinge as shown below.

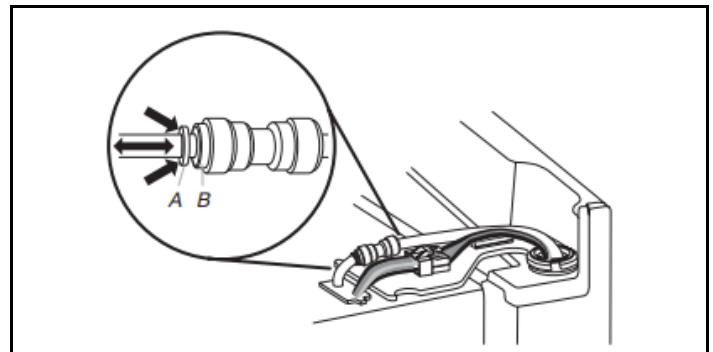


A. Top hinge cover screw      B. Top hinge cover

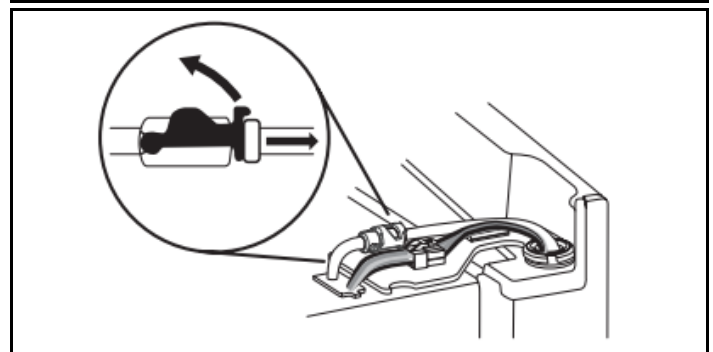
2. Disconnect the water dispenser tubing located on top of the door hinge (if applicable).

**Water Tubing Connection Style 1:** Press the colored outer ring against the face of the fitting and gently pull the dispenser tubing free as shown below.

**NOTE:** The water dispenser tubing remains attached to the left-hand refrigerator door.

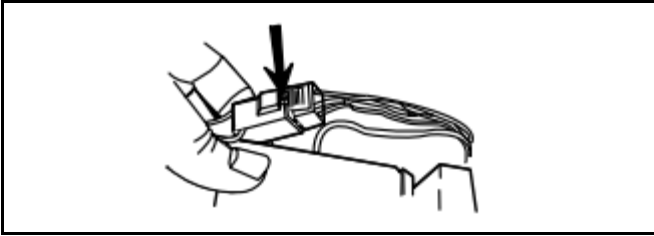


A. Outer ring      B. Face of fitting

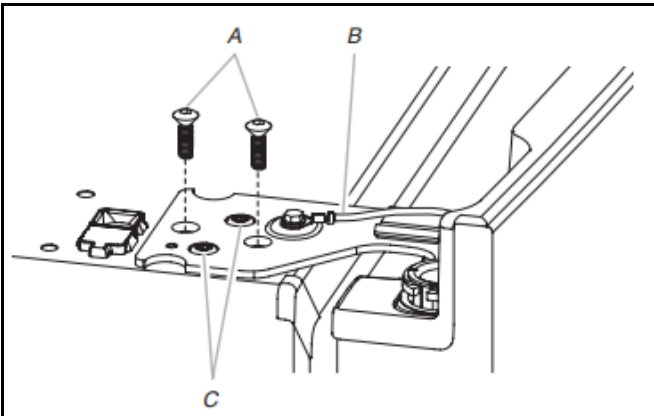




- Before removing the left-hand side door, disconnect the wiring plug located on top of the top hinge by wedging a flat-blade screwdriver or your fingernail between the two sections.



**NOTE:** Do not remove the green, ground wire. It should remain attached to the door hinge.



A. 3/4" Internal hex-head or TORX T25 screws	C. Locator screws (do not remove)
B. Ground wire (Do not remove)	

- Lift the refrigerator door from the bottom hinge pin. The top hinge will come away with the door.
 

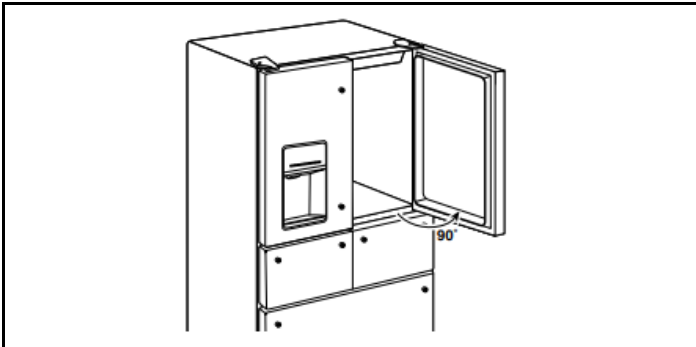
**NOTE:** It may not be necessary to remove the bottom hinges and brake feet assemblies to move the refrigerator through a doorway.

  - Only if necessary, depending on your model, use a driver with a #2 square bit tip or a TORX T25 screwdriver to remove the bottom hinges and a 3/8" nut driver or a TORX T25 screwdriver to remove the brake feet screws.

## Reset Bottom Refrigerator Door Hinge

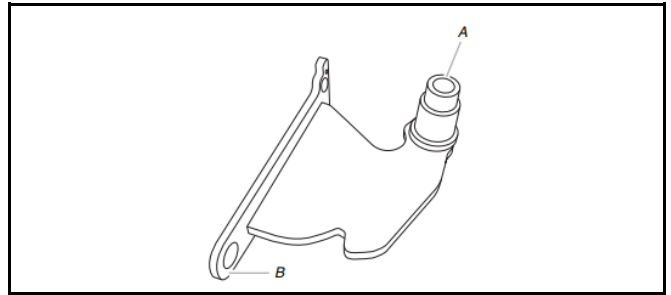
For your convenience, the refrigerator doors have bottom hinges with door closers. These closers allow the doors to swing fully closed with just a gentle push.

**IMPORTANT:** So that the closers feature will operate properly, the doors must be removed only when open to a 90° angle to the front of the cabinet. If one or both doors were not at a 90° angle when removed, the bottom door hinge must be reset.



## RESET THE DOOR HINGE

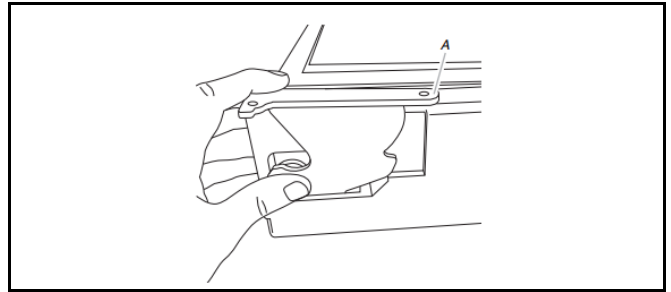
- Lift the door from the bottom hinge pin and place it on a flat surface.
- Using a driver with a #2 square bit, remove the bottom hinge with the bushing from the cabinet.



A. Bushing	B. Hinge base
------------	---------------

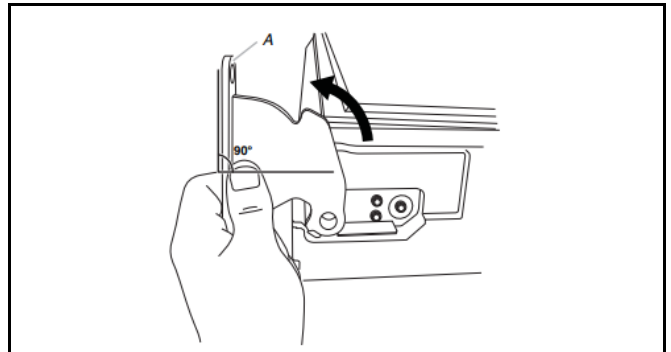
- Insert the bottom hinge and bushing into the corresponding slot in the bottom of the door.
 

**NOTE:** Make sure that the base of the hinge is parallel to the bottom of the door.



A. Hinge base parallel to the bottom edge of the door

- Turn the hinge until the hinge base is at a 90° angle to the bottom edge of the door.



A. Hinge base turned to a 90° angle with the bottom edge of the door

- Remove the hinge from the door. Reattach the bottom hinge to the refrigerator cabinet.
- The hinge is now reset and prepared for the door to be replaced.



# Replace Refrigerator Doors and Hinges

## Replace Right-Hand Refrigerator Door

1. Set the right-hand door onto the bottom hinge pin.
2. Insert the top hinge pin into the open hole in the top of the refrigerator door.
3. Fasten the hinge to the cabinet. Do not tighten the screws completely.

## Replace Left-Hand Refrigerator Door

**IMPORTANT:** Do not intertwine the water tubing and wiring bundles when reconnecting them

1. Set the left-hand door onto the bottom hinge pin.
2. Fasten the hinge to the cabinet. Do not tighten the screws completely.
3. If applicable, reconnect the water dispenser tubing.
  - Style 1** - Insert the tubing into the fitting until it stops and the outer ring is touching the face of fitting.
  - Style 2** - Insert the tubing firmly into the fitting until it stops. Close the clasp around the tubing. The clasp snaps into place between the fitting and the collar.
4. Reconnect the electrical wiring.
  - Push together the two sections of the wiring plug.

## Final Steps

1. Completely tighten the internal screws
2. Replace both top hinge covers.

# Remove and Replace Refrigerator Drawer

Depending on the width of your door opening, it may be necessary to remove the drawer fronts to move the refrigerator into your home.

## REMOVE DRAWER FRONT

### IMPORTANT:

- If the refrigerator was previously installed and you are moving it out of the home, before you begin, turn the refrigerator control Off, and unplug the refrigerator or disconnect power. Remove food and any adjustable door or utility bins from doors.
- Two people may be required to remove and replace the freezer drawer. Graphics are included later in this section.

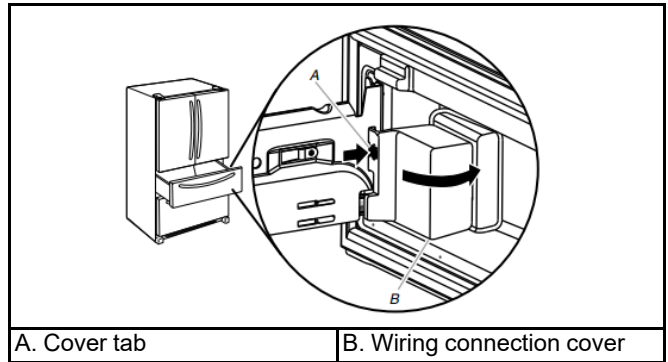
**Tools Needed:** 1/4" Hex head nut driver, Flat-blade screwdriver

### Disconnect Wiring (if applicable)

### NOTES:

- The exterior refrigerator drawer front is connected to the temperature control on some models. Before removing the drawer front, the wires must be disconnected from the temperature control.
- The gray cable visible behind and under the pantry drawer at the right side contains wiring for the pantry control and moves with the drawer as it is pulled out. There is no need to disconnect this cable.

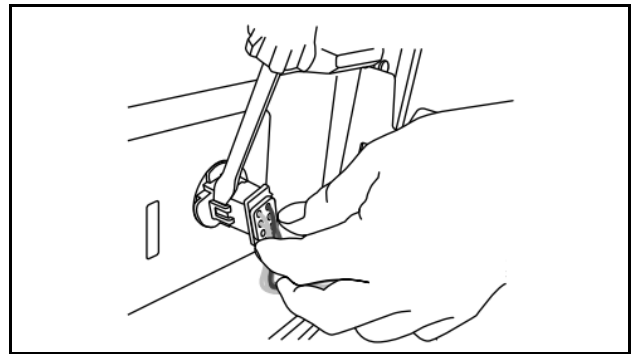
1. Open the drawer to its full extension, and remove the interior bin.
2. Left-hand drawer only: Remove the wiring connection cover. Press in on the side of the cover to release the tab from the slot, and then pull the cover away from the bracket.



3. Left-hand drawer only, disconnect the wiring.

### NOTE:

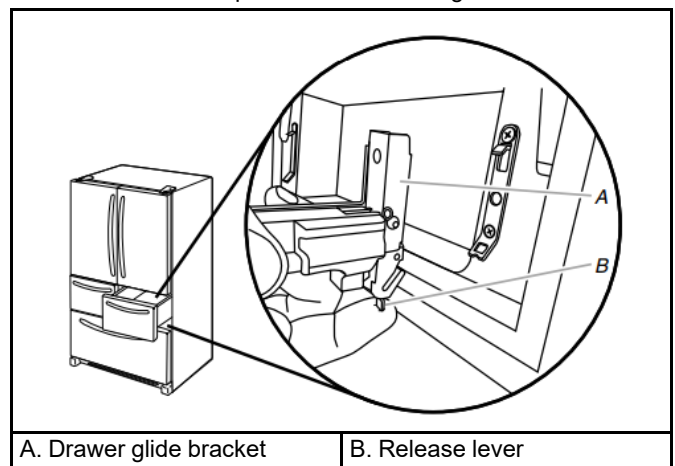
- On one side of the wiring connector, insert the screwdriver blade between the connector tab and the connector to release. Repeat for the opposite side. Pull the wiring connector apart.



4. Remove the drawer front.

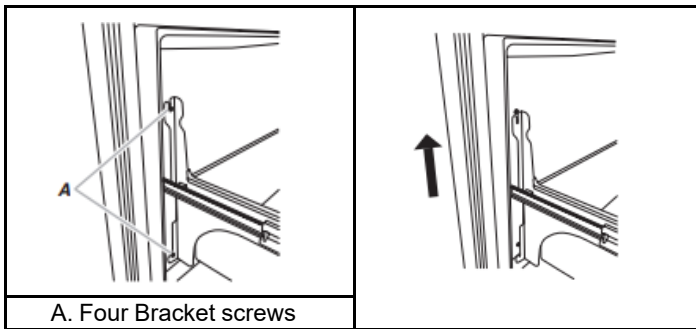
### Style 1: Bottom Release Lever

- Push up on the lever at the bottom of the drawer glide bracket to release the drawer front from the bracket.
- Lift the drawer front up and off the drawer glide brackets.



### Style 2: Bottom Screws

- Loosen the two top screws attaching the drawer glide brackets to the drawer front.
- NOTE:** Loosen screws three to four turns. Keep the screws in the drawer front.
- Remove the two bottom screws attaching the drawer glide.
  - Lift the drawer front up and off the top screws.



5. Slide the drawer glides back into the refrigerator.

### REPLACE DRAWER FRONT

1. Pull out the drawer glides until they are full extended.
2. **Style 1: Bottom Release Lever**
  - Push up on the lever at the bottom of the drawer glide bracket to open. Insert the drawer front bracket into the drawer glide bracket and release the lever.

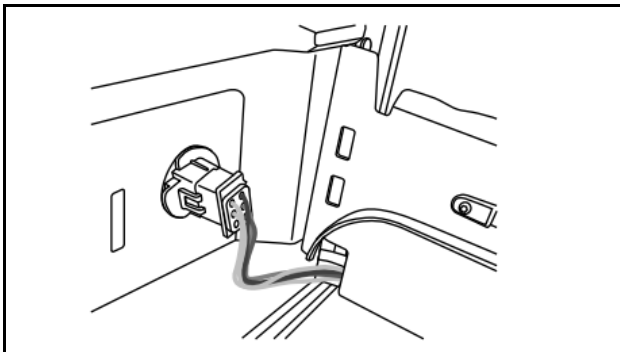
#### Style 2: Bottom Screws

- Lower the loosened screws in the top of the door front into the upper notches in the drawer glide.
- Align the holes in the bottom of the drawer glides.
- Replace two screws removed previously and tighten all four screws.

**NOTE:** It helps if one person holds the drawer glides steady while another person aligns the drawer front and inserts the screws into the notches.

3. **Reconnect Wiring (if applicable)**

- Align the two ends of the wiring connector and push them together until you hear a click sound and feel the tabs snap into place on the connector.



- Gently pull on the wiring connection to ensure the wiring connection is completely seated. Replace the wiring cover.
- NOTE:** The wiring connection must be complete for the drawer temperature control to operate.

4. Replace the drawer bins onto the drawer glides.

### Remove and Replace Freezer Drawer Front

Depending on the width of your door opening, it may be necessary to remove the freezer drawer front to move the refrigerator into your home.

### IMPORTANT:

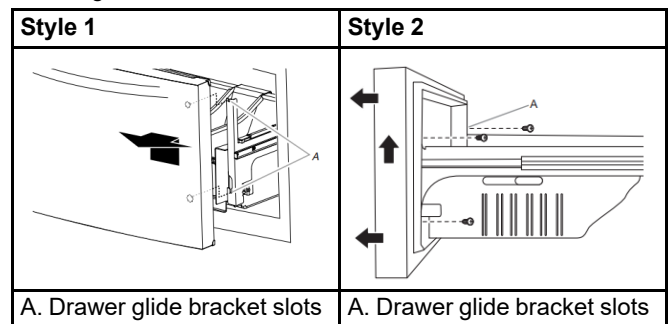
- If the refrigerator was previously installed and you are moving it out of the home, before you begin, turn the refrigerator control Off, and unplug the refrigerator or disconnect power. Remove food and any adjustable door or utility bins from doors.
- Two people may be required to remove and replace the freezer drawer

**Tools Needed:** 1/4" hex driver

### REMOVE DRAWER

#### Front Style 1 & 2

1. Open the freezer drawer to its full extension.
2. Loosen the two screws at the top, inside the drawer front (one on the left-hand side and one on the right-hand side) that fasten the drawer front to the drawer glides as shown below.
3. Remove the 2 screws at the bottom, inside the drawer front that fasten the drawer front to the drawer glides as shown below.
4. Lift up on the drawer front to release the plastic studs from the drawer glide bracket slots as shown below.

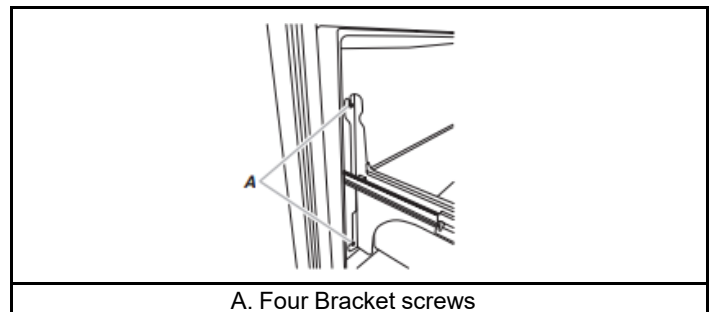


5. Slide the drawer glides back into the freezer.

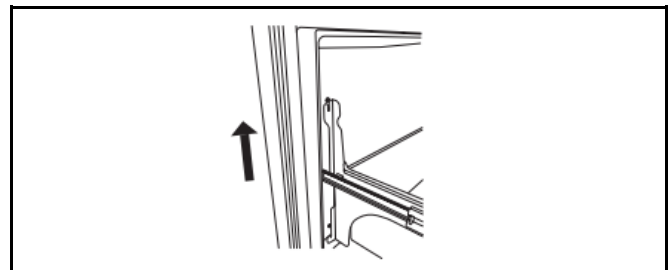
#### Front Style 3

1. Open the freezer drawer to full extension.
2. Loosen the four screws attaching the drawer glides to the drawer front as shown below.

**NOTE:** Loosen screws three to four turns. Keep the screws in the drawer front.



3. Lift drawer front upward and off the screws.

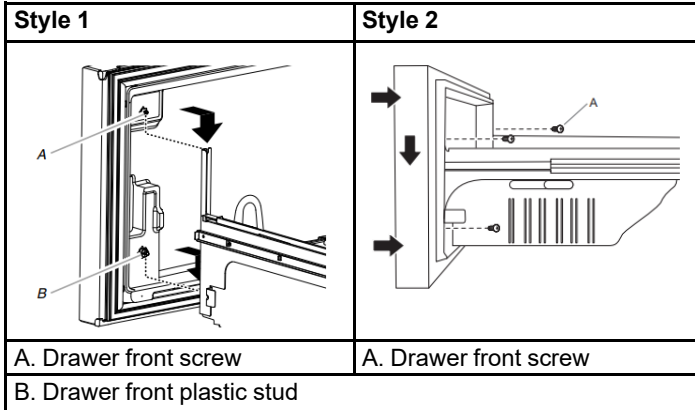


## REPLACE DRAWER

### Front Style 1 and 2

1. Pull out the freezer drawer glides to their full extension.
2. Holding the drawer front by its sides, align the two plastic studs, located at the bottom, inside the drawer front, with the drawer glide bracket slots.

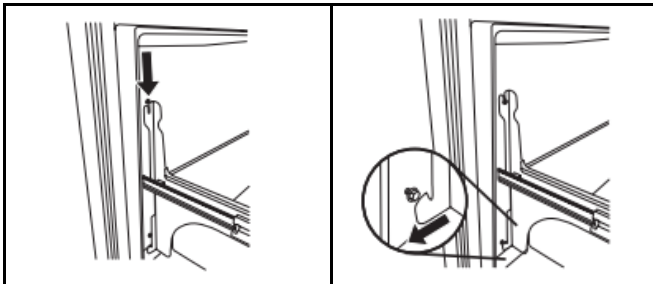
**NOTE:** It helps if one person holds the drawer glides steady while another person aligns the drawer front and inserts the studs into the slots.



3. Replace and tighten the two screws at the top of the drawer front (one on the left-hand side and one on the right-hand side).

### Front Style 3

1. Slide the drawer glides out of the freezer compartment.
2. Insert the screws in the top of the drawer into the slots in the drawer brackets.



3. Completely tighten all four screws.

## Door Closing and Alignment

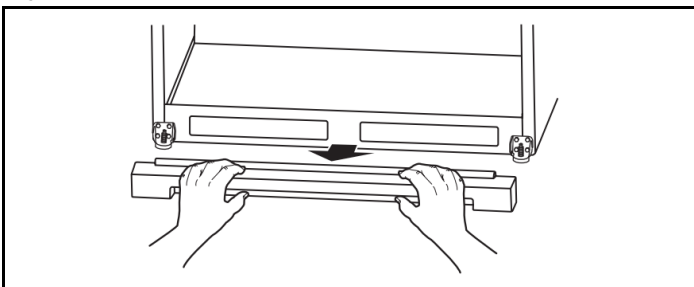
The base grille covers the adjustable brake feet and roller assemblies located at the bottom of the refrigerator below the freezer drawer. Before making any adjustments, remove the base grille and move the refrigerator to its final location.

**Tools Needed:** 1/4" hex driver    **Tools Provided:** 1/8" hex key

1. Remove base grille.

### BASE GRILLE

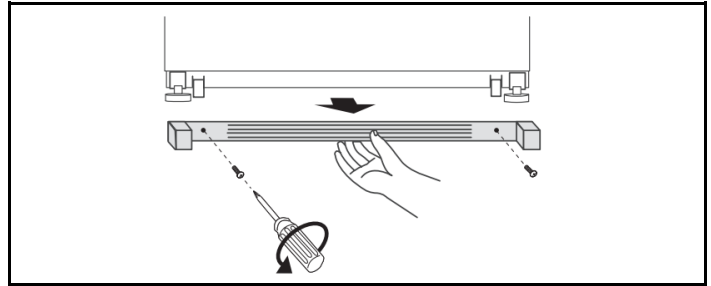
#### Style 1



- Using both hands, grasp the grille firmly and pull it toward you. Open the freezer drawer to access the brake feet.

**NOTE:** To allow the refrigerator to roll easier, raise the brake feet by turning them counterclockwise. The front rollers will be touching the floor.

#### Style 2

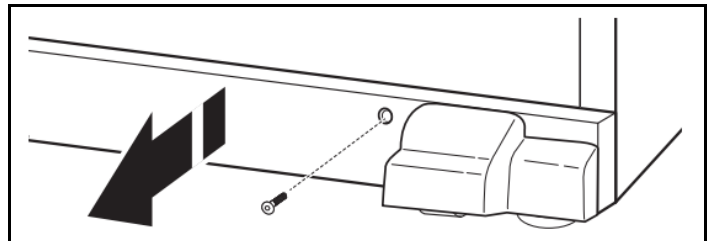


- Remove the two screws fastening the base grille to the cabinet and set screws aside.

- Grasp the grille and pull it toward you.

**NOTE:** To allow the refrigerator to roll easier, raise the brake feet by turning them counterclockwise. The front rollers will be touching the floor.

#### Style 3



- Use a 1/4" hex-nut driver to remove both screws in the base grille.

- Using both hands, grasp the grille firmly and pull it toward you. Open the freezer drawer to access the brake feet.

**NOTE:** To allow the refrigerator to roll easier, raise the brake feet by turning them counterclockwise. The front rollers will be touching the floor.

2. Move the refrigerator to its final location.
3. Make sure the doors close easily. If you are satisfied with the door opening and closing, skip the next section and go to "Align the Doors." If, however, the doors do not close easily or the doors pop open, adjust the tilt.
4. Using a 1/4" hex driver, lower the brake feet. Turn them clockwise until the rollers are off the floor and both brake feet are snug against the floor. This keeps the refrigerator from rolling forward when operating the refrigerator doors freezer drawer.

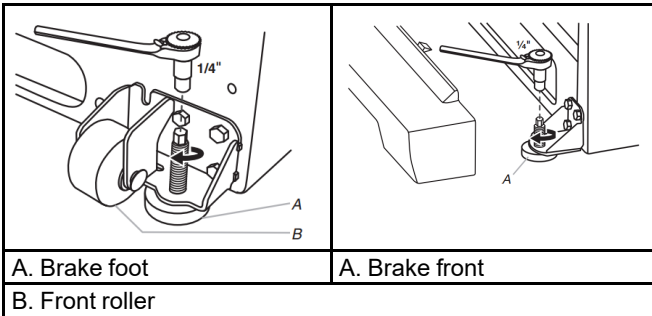
**IMPORTANT:** If you need to make further adjustments involving the brake feet, you must turn both brake feet the same amount to keep the refrigerator level.

5. Use a level to make sure the refrigerator is level from side to side and front to back.
6. Make sure the doors are even at the top and that the space between the bottom of the refrigerator doors and the top of the freezer drawer is even. If necessary, align the doors.

### To Adjust the Cabinet Tilt:

1. Open the freezer drawer. Use a 1/4" hex driver to turn both brake feet clockwise the same amount. This will raise the front of the refrigerator. It may take several turns to allow the doors to close easier.

**NOTE:** Having someone push against the top of the refrigerator takes some weight off the brake feet. This makes it easier to turn them.

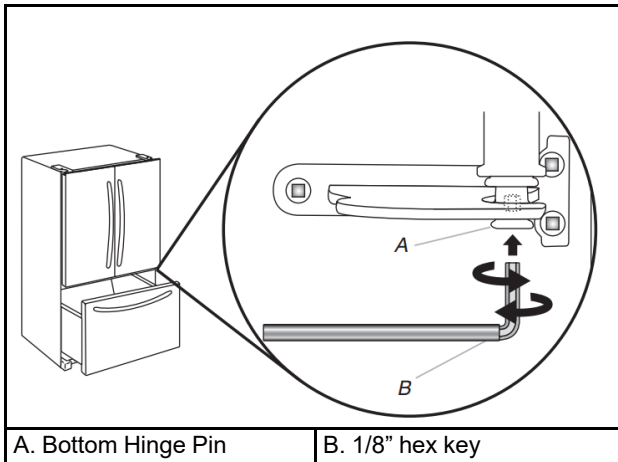


2. Make sure the doors are even at the top and that the space between the bottom of the refrigerator doors and the top of the freezer drawer is even. If necessary, align the doors.

#### ■ To Align the Doors:

- Keeping both refrigerator doors closed, pull out the freezer drawer. Locate the bottom hinge pin of the right-hand refrigerator door. The alignment screw is inside the bottom hinge pin.
- Insert the short end of the 1/8" hex key (packed with the Door Handle Installation Instructions) into the bottom hinge pin until it is fully engaged in the alignment screw. To raise the refrigerator door, turn the hex key to the right. To lower the door, turn the hex key to the left.

- Continue to turn the alignment screw until the doors are aligned.



3. Make sure the refrigerator is steady. If the refrigerator seems unsteady or rolls forward when a door or drawer is pulled open, adjust the brake feet.

#### To Steady the Refrigerator:

- Open the freezer drawer. Using a 1/4" hex driver, turn both brake feet clockwise the same amount until the brake feet are snug against the floor. Check again. If you are not satisfied, continue to adjust the brake feet by half turns of the screw until the refrigerator does not roll forward when the drawer is opened.

**NOTE:** Having someone push against the top of the refrigerator takes some weight off the leveling screws. This makes it easier to turn the screws.

After making all appropriate adjustments, replace the base grille by aligning the ends of the grille with the leveling assemblies on each side and snapping the grille into place. Use a 1/4" hex driver to reinstall screws if applicable.

### Final Steps

## ⚠ WARNING



### Electrical Shock Hazard

**Plug into a grounded 3 prong outlet.**

**Do not remove ground prong.**

**Do not use an adapter.**

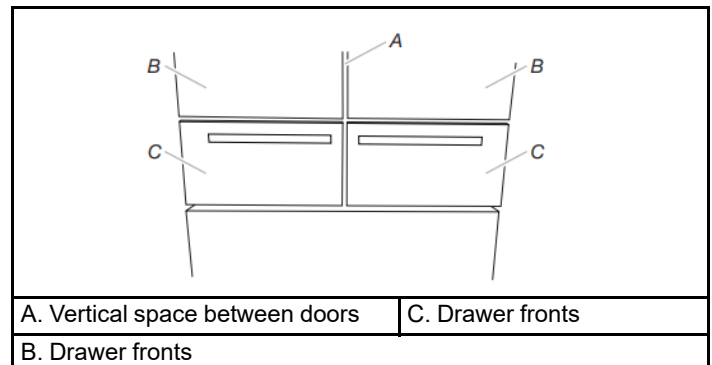
**Do not use an extension cord.**

**Failure to follow these instructions can result in death, fire, or electrical shock.**

1. Plug into a grounded 3 prong outlet
2. Reset the controls. See "Control Panel Descriptions" in the Quick Start Guide for details.
3. Return all removable door parts to doors and the food to refrigerator.

### Align Refrigerated Drawer Fronts (on some models)

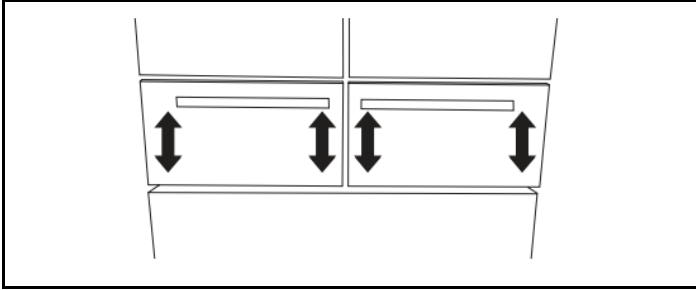
When the drawer fronts are aligned, the width of the vertical space (A) between the refrigerator doors (B) and the drawer fronts (C) is the same thickness, and the drawers appear level.



Aligning the drawer fronts is a two-step process. The first step is to adjust the drawer fronts up and down. The second step shifts the drawer fronts from side to side. Visually inspect the refrigerator for alignment and adjust the drawer fronts as needed.

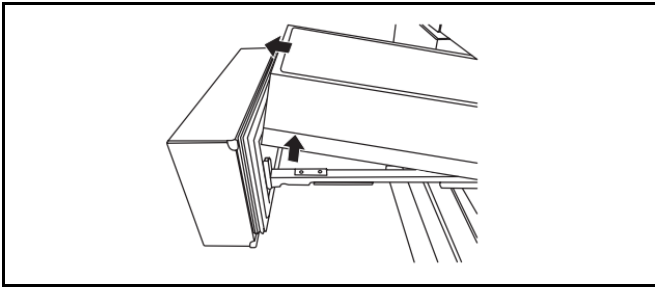
### Step 1 - Adjust the Drawer Fronts Up/Down

**IMPORTANT:** Each refrigerated drawer can be adjusted up and down on both the left and the right sides.

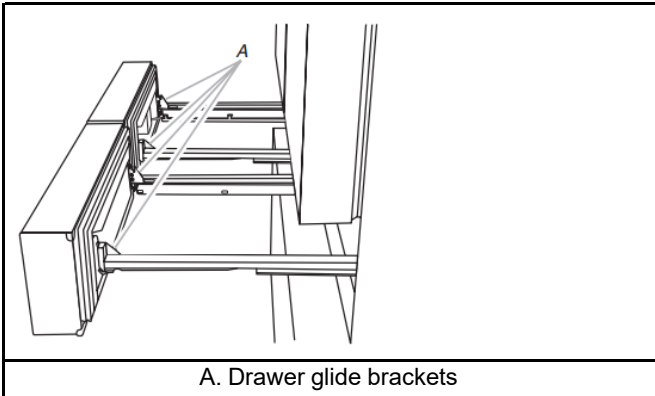


**Tools Needed:** Phillips screwdriver

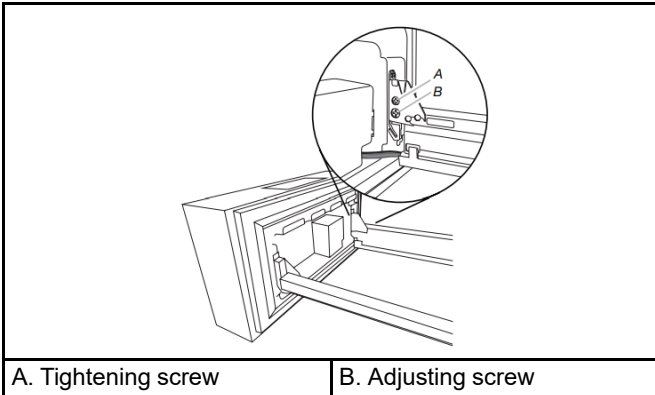
1. With the drawers closed, identify the drawer front that needs to be raised or lowered.
2. Open the drawer to its full extension, and remove the interior bin.



3. Locate the drawer glide brackets.



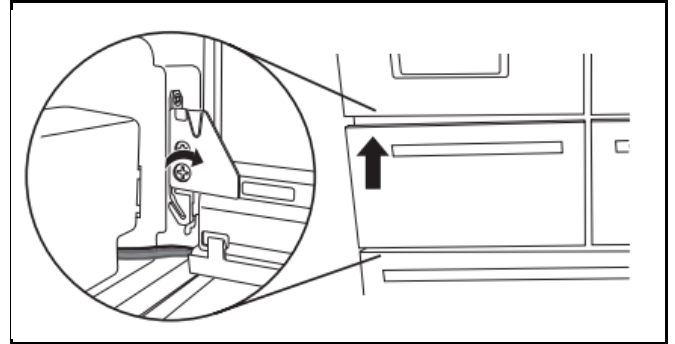
4. Insert the Phillips screwdriver into tightening screw and turn counterclockwise to loosen the drawer front.



5. Insert the Phillips screwdriver into adjusting screw to adjust the drawer front.

**IMPORTANT:** The direction you turn the adjusting screw depends on which side of the drawer you are adjusting.

#### Left-Hand Side Drawer Glide



- To raise the drawer front, turn adjusting screw clockwise.
- To lower the drawer front, turn adjusting screw counterclockwise.

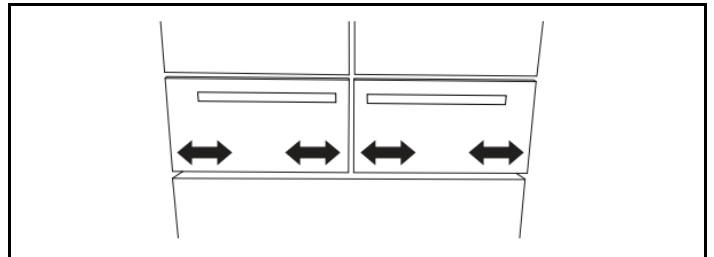
#### Right-Hand Side Drawer Glide

- To raise the drawer front, turn adjusting screw counterclockwise.
- To lower the drawer front, turn adjusting screw clockwise.

6. Insert the Phillips screwdriver into tightening screw, and turn clockwise to tighten the drawer front.
7. Close the refrigerated drawer to check the alignment. Repeat steps 2 through 6 until the drawer fronts are level.

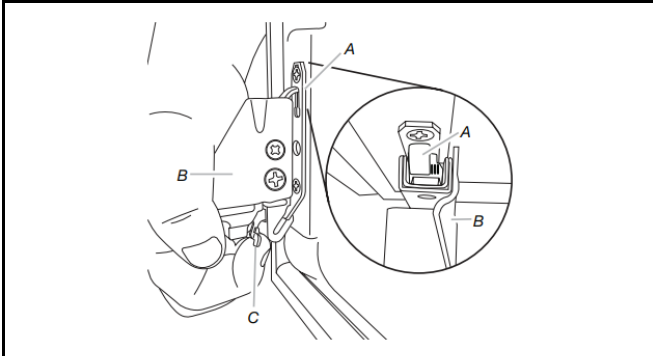
### Step 2 - Adjust the Drawer Fronts Side to Side

**IMPORTANT:** Each refrigerated drawer can be adjusted side to side on both the left and right side.



1. With the drawers closed, identify the drawer that is not aligned.
2. Open the drawer to its full extension, and remove the interior bin.
3. Locate the drawer glide brackets.

- Starting with the glide bracket closest to the vertical gap, press and hold the release lever up. With your other hand, lift the door clip from the drawer glide bracket.



A. Drawer front clip	C. Release lever
B. Drawer glide bracket	

- Reposition the drawer front clip onto the drawer glide bracket in the direction you want to move the drawer front. Make sure that the glide bracket is vertically level.
  - Release the lever to lock the glide bracket into position.
  - Repeat steps 3 through 6 for the other side of the drawer front.
- NOTE:** Adjust the clip on the top of the second glide bracket so that it is in the same position as the side you adjusted first.
- Close the drawer and visually inspect the gap. Repeat steps 2 through 7 until the drawer fronts are aligned.

**FINAL STEPS**

- Replace the interior drawer bins.
 

**NOTE:** The bins must be placed into the drawers correctly so that the refrigerated drawers will close and operate properly. See "Remove and Replace Drawer Fronts."
- Close the refrigerated drawers.



# PERFORMANCE DATA SHEET

## Water Filtration System

Model P8WB2L (EDR1RXD1, Filter 1) Capacity 200 Gallons (757 Liters)



Nonfood Compounds  
Program Listed H1  
Registration # 155241

System tested and certified by NSF International against NSF/ANSI Standard 42, 53, 401 and CSA B483.1 for the reduction of contaminants specified on the Performance Data Sheet.

This system has been tested according to NSF/ANSI Standards 42, 53, 401 and CSA 483.1\*\* for the reduction of the substances listed below. The concentration of the indicated substances in water entering the system was reduced to a concentration less than or equal to the permissible limit for water leaving the system, as specified in NSF/ANSI Standards 42, 53, 401 and CSA 483.1\*\*

\*\*Certified to CSA B483.1 only for use in Refrigerator applications.

Substance Reduction	Influent Challenge Concentration	Maximum Permissible Product Water Concentration	Average % Reduction
<b>Aesthetic Effects</b>			
Chlorine Taste/Odor	2.0 mg/L ± 10%	50% reduction	97.2%
Particulate Class I*	At least 10,000 particles/mL	85% reduction	99.9%
<b>Contaminant Reduction</b>	<b>Influent Challenge Concentration</b>	<b>Maximum Permissible Product Water Concentration</b>	<b>Average % Reduction</b>
Lead: @ pH 6.5 / @ pH 8.5	0.15 mg/L ± 10%	0.010 mg/L	96.0%
Benzene	0.015 mg/L ± 10%	0.005 mg/L	99.8%
P-Dichlorobenzene	0.225 mg/L ± 10%	0.075 mg/L	91.9%
Carbofuran	0.08 mg/L ± 10%	0.040 mg/L	92.4%
Toxaphene	0.015 ± 10%	0.003 mg/L	>99%
Atrazine	0.009 mg/L ± 10%	0.003 mg/L	>99.99%
Asbestos	10 <sup>7</sup> to 10 <sup>8</sup> fibers/L††	99%	99.0%
Live Cysts†	50,000/L min.	99.95%	>96.6%
Turbidity	11 NTU ± 10%	0.5 NTU	>99.8%
Lindane	0.002 ± 10%	0.0002 mg/L	99.40%
Tetrachloroethylene	0.015 mg/L ± 10%	0.005 mg/L	>99.8%
o-Dichlorobenzene	1.8 mg/L ± 10%	0.60 mg/L	93.8%
Ethylbenzene	2.1 mg/L ± 10%	0.70 mg/L	99.8%
1,2,4-Trichlorobenzene	0.210 mg/L ± 10%	0.07 mg/L	87.9%
2,4 - D	0.210 mg/L ± 10%	0.07 mg/L	>96.6%
Styrene	2.0 mg/L ± 10%	0.1 mg/L	95.9%
Toluene	3.0 mg/L ± 10%	1.0 mg/L	>96.9%
Endrin	0.006 mg/L ± 10%	0.002 mg/L	>96.4%
Atenolol	200 ± 20%	60 ng/L	>97.0%
Trimethoprim	140 ± 20%	20 ng/L	>97.4%
Linuron	140 ± 20%	20 ng/L	>97.9%
Estrone	140 ± 20%	20 ng/L	93.8%
Nonylphenol	1400 ± 20%	200 ng/L	96.1%



Carbamazepine	1400 ± 20%	200 ng/L	99.20%
Phenytoin	200 ± 20%	30 ng/L	99.3% / 98.6.%
Naproxen	140 ± 20%	20 ng/L	93.3%
Bisphenol A	2000 ± 20%	300 ng/L	98.9%

Test Parameters: pH = 7.5 ± 0.5 unless otherwise noted. Flow = 0.5 gpm (1.89 lpm). Pressure = 60 psig (413.7 kPa). Temp. = 68°F to 71.6°F (20°C to 22°C). Rated service capacity = 200 gallons (757 liters).

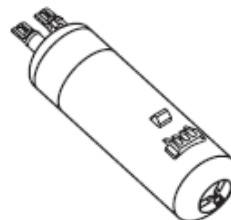
The compounds certified under NSF 401 have been deemed as “emerging compounds/incidental contaminants.” Emerging compounds/incidental contaminants are those compounds that have been detected in drinking water supplies at trace levels. While occurring at only trace levels, these compounds can affect the public acceptance/perception of drinking water quality.

- For installation, operation, and maintenance instructions please refer to the Owner’s Manual.
- It is important that operational, maintenance, and filter replacement requirements be carried out for the product to perform as advertised. Property damage can occur if all instructions are not followed.
- The disposable cartridge must be changed at least every 6 months.
- Use replacement filter P8RFWB2L, part #EDR1RXD1/EDR1RXD1B. 2015 suggested retail price of \$49.99 U.S.A./\$49.99 Canada. Prices are subject to change without notice.
- The filter monitor system measures the amount of water that passes through the filter and alerts you when it is time to replace the filter.
- Refer to the “Using the Controls” or “Water Filtration System” section (in the User Instructions or User Guide) to learn how to check the water filter status.
- After changing the water filter, flush the water system. See “Water and Ice Dispensers” or “Water Dispenser” in the User Instructions or User Guide.
- These contaminants are not necessarily in your water supply. While testing was performed under standard laboratory conditions, actual performance may vary.
- The product is for cold water use only.
- The water system must be installed in compliance with state and local laws and regulations.
- Do not use with water that is microbiologically unsafe or of unknown quality without adequate disinfection before or after the system. Systems certified for cyst reduction may be used on disinfected waters that may contain filterable cysts. EPA Est. No. 082047-TWN-001
- Refer to the “Warranty” section (in the User Instructions or User Guide) for the Manufacturer’s limited warranty, name and telephone number.

#### Application Guidelines/Water Supply Parameters

Water Supply	Potable City or Well
Water Pressure	30 psi - 120 psi (207 kPa - 827 kPa)
Water Temperature	33° - 100°F (0.6° - 37.8° C)
Service Flow Rate	0.50 GPM (2.27 L/min.) @ 60 psi. (413.7 kPa)

- Your water filtration system will withstand up to 120 pounds per square inch (psi) water pressure. If your water supply is higher than 80 psi, install a pressure reducing valve before installing the water filtration system.



\*Class I particle size: >0.5 to 1 um

†Based on the use of Cryptosporidium parvum oocysts

††Fibers greater than 10 um in length

®NSF is a registered trademark of NSF International.

# SÉCURITÉ DU RÉFRIGÉRATEUR

## Votre sécurité et celle des autres sont très importantes.

Nous donnons de nombreux messages de sécurité importants dans ce manuel et sur votre appareil. Assurez-vous de toujours lire tous les messages de sécurité et de vous y conformer.



Voici le symbole d'alerte de sécurité.

Ce symbole d'alerte de sécurité vous signale les dangers potentiels de décès et de blessures graves.

Tous les messages de sécurité suivront le symbole d'alerte de sécurité et le mot « DANGER » ou « AVERTISSEMENT ». Ces mots signifient :

**▲ DANGER**

**Risque possible de décès ou de blessure grave si vous ne suivez pas immédiatement les instructions.**

**▲ AVERTISSEMENT**

**Risque possible de décès ou de blessure grave si vous ne suivez pas les instructions.**

Tous les messages de sécurité vous diront quel est le danger potentiel, comment réduire le risque de blessure et ce qui peut se produire en cas de non-respect des instructions.

## INSTRUCTIONS IMPORTANTES DE SÉCURITÉ

**AVERTISSEMENT :** Afin de réduire le risque d'incendie, de décharge électrique ou de blessures corporelles lors de l'utilisation de cet appareil, observer certaines précautions fondamentales, notamment :

- Les enfants doivent être surveillés afin de s'assurer qu'ils ne jouent pas avec l'appareil.
- Cet appareil ne convient pas à une utilisation par des personnes (y compris des enfants) à capacités physiques, sensorielles ou mentales réduites, ou possédant un manque d'expérience et de connaissances, à moins qu'elles ne soient placées sous supervision ou qu'elles aient reçu des instructions concernant l'utilisation de l'appareil par une personne responsable de leur sécurité.
- Ne pas utiliser de rallonge.
- Si le cordon d'alimentation est endommagé, il doit être remplacé par le fabricant, son agent de réparation ou toute autre personne qualifiée afin d'éviter tout danger.
- Brancher sur une alimentation en eau potable uniquement.
- Cet appareil est destiné à un usage domestique et à d'autres usages similaires comme : coins cuisine réservés au personnel des boutiques, des bureaux et d'autres environnements professionnels; maisons d'hôtes, ainsi que par les clients d'hôtel, de motels et d'autres installations d'hébergement; gîtes touristiques; et banquets et autres utilisations non commerciales semblables.
- Ne pas entreposer de substances explosives comme des aérosols avec agent propulseur inflammable dans cet appareil.
- Ne pas utiliser de pièces de remplacement qui n'ont pas été recommandées par le fabricant (c.-à-d., pièces fabriquées à la maison à l'aide d'une imprimante 3D).
- Garder les événements à l'intérieur de l'enceinte de l'appareil ou de la structure encastrée exempte d'obstacles.
- Ne pas utiliser des appareils mécaniques ou autres moyens pour accélérer le processus de dégivrage, autre que ceux recommandés par le fabricant.
- Ne pas endommager le circuit réfrigérant.
- Ne pas utiliser des appareils électriques à l'intérieur des compartiments d'aliments de l'appareil, à moins qu'ils soient de type recommandé par le fabricant.

**CONSERVER CES INSTRUCTIONS**

## Mise au rebut du vieux réfrigérateur

**AVERTISSEMENT : Un enfant peut rester piégé. Avant de jeter votre vieux réfrigérateur ou congélateur :**

- Enlever les portes.
- Laisser les tablettes en place de sorte que les enfants ne puissent pas y pénétrer facilement.

### **⚠ AVERTISSEMENT**

#### **Risque de suffoquer**

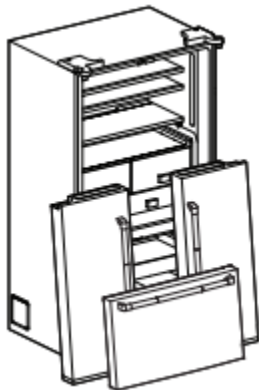
**Enlever les portes ou le couvercle de votre vieil appareil.**

**Le non-respect de cette instruction peut causer un décès ou des lésions cérébrales.**

**IMPORTANT :** Le risque qu'un enfant puisse se retrouver coincé et suffoquer n'est pas chose du passé. Les réfrigérateurs et congélateurs jetés ou abandonnés sont toujours dangereux, même s'ils ne restent à l'extérieur que pour « quelques jours seulement ». Si vous vous débarrassez de votre vieux réfrigérateur ou congélateur, veuillez suivre les instructions suivantes pour aider à éviter les accidents.

#### **Informations importantes à connaître pour l'élimination du liquide réfrigérant :**

Jeter le réfrigérateur conformément aux règlements fédéraux et locaux. Les liquides réfrigérants doivent être évacués par un technicien en réfrigération accrédité EPA, conformément aux procédures établies.



## ENTRETIEN DU RÉFRIGÉRATEUR

### Nettoyage

### **⚠ AVERTISSEMENT**



#### **Risque d'explosion**

**Risque d'incendie ou d'explosion.**

**Fluide frigorigène inflammable utilisé.**

**Ne pas utiliser d'appareils mécaniques pour dégivrer le réfrigérateur.**

**Ne pas perforer la tubulure de réfrigération.**

Les sections de réfrigération et de congélation se dégivrent automatiquement. Toutefois, nettoyer les deux compartiments environ une fois par mois afin d'éviter toute accumulation d'odeurs. Essuyer les renversements immédiatement.

#### **IMPORTANT :**

- Comme l'air circule entre toutes les sections, toutes les odeurs formées dans une section seront transférées à l'autre. Toutes les sections doivent être nettoyées avec soin pour éliminer les odeurs. Pour éviter le transfert d'odeurs et l'assèchement des aliments, envelopper ou recouvrir hermétiquement les aliments.
- Ne pas utiliser de nettoyants puissants ou abrasifs tels que les nettoyants à vitre en atomiseurs, nettoyants à récurer, liquides inflammables, acide chlorhydrique, cires nettoyantes, détergents concentrés, agents de blanchiment ou nettoyants contenant du pétrole sur les portes et la caisse de l'appareil, pièces en plastique, les garnitures intérieures et garnitures de portes ou sur les joints de portes. Ne pas utiliser d'essuie-tout, de tampons à récurer ou un autre outil de nettoyage abrasif.
- Pour les modèles en acier inoxydable, l'acier inoxydable est résistant à la corrosion, mais non anticorrosion. Afin d'éviter l'oxydation de l'acier inoxydable, veiller à ce que les surfaces restent propres en suivant les instructions de nettoyage suivantes.

#### **Nettoyer l'écran d'affichage tactile du tableau de distribution (sur certains modèles) :**

1. Pour éviter de modifier involontairement les réglages, s'assurer que le réfrigérateur est débranché ou que le courant électrique est déconnecté avant d'essuyer l'écran.
2. Préparer un mélange avec du détergent doux et de l'eau tiède. Humecter un chiffon doux sans charpie du mélange et essuyer doucement l'écran.

**REMARQUE :** Ne pas vaporiser ni essuyer de liquides directement sur l'écran, et ne pas saturer le chiffon de produit.

3. Brancher le réfrigérateur ou reconnecter la source de courant électrique.

## Nettoyage de l'intérieur :

**IMPORTANT :** Les tablettes du réfrigérateur équipées d'éclairage DEL par en dessous ne sont pas lavables au lave-vaisselle.

1. Débrancher le réfrigérateur ou déconnecter la source de courant électrique.
2. Laver à la main, rincer et sécher les pièces amovibles et les surfaces internes soigneusement. Utiliser une éponge propre ou un linge doux et un détergent doux dans de l'eau tiède.
3. Brancher le réfrigérateur ou reconnecter la source de courant électrique.

## Nettoyage de l'extérieur :

**IMPORTANT :** Les dommages au revêtement lisse en raison d'un mauvais usage des produits nettoyants ou de l'utilisation de produits nettoyants non recommandés ne sont pas couverts par la garantie. Des instruments aiguisés ou coupants dépareraient le revêtement.

1. Débrancher le réfrigérateur ou déconnecter la source de courant électrique.
2. À l'aide d'une éponge propre ou d'un chiffon doux et d'un détergent doux dans de l'eau tiède, laver, rincer et sécher soigneusement les pièces extérieures en acier inoxydable et surfaces métalliques peintes.

Pour que votre réfrigérateur en acier inoxydable conserve son aspect neuf et pour enlever les petites égratignures ou marques, il est suggéré d'utiliser le nettoyant et poli pour acier inoxydable approuvé par le fabricant. Ce nettoyant doit être utilisé sur les pièces en acier inoxydable uniquement. Consulter le Guide de démarrage rapide pour les informations de commande.

**REMARQUE :** Lors du nettoyage de l'acier inoxydable, toujours frotter dans le sens du grain afin d'éviter d'érafler la surface.

Veiller à ce que le nettoyant et poli pour acier inoxydable n'entre pas en contact avec les pièces de plastique comme les garnitures, couvercles de distributeurs ou joints de porte. En cas de contact non intentionnel, nettoyer la pièce de plastique avec une éponge et un détergent doux dans de l'eau tiède. Sécher soigneusement avec un chiffon doux.

3. Brancher le réfrigérateur ou reconnecter la source de courant électrique.

## Style 1 : Porte lisse/métal peint

UTILISER	NE PAS UTILISER
<ul style="list-style-type: none"> <li>■ Chiffon doux et propre</li> </ul>	<ul style="list-style-type: none"> <li>■ Chiffons abrasifs</li> <li>■ Essuie-tout ou papier journal</li> <li>■ Tampons de laine d'acier</li> </ul>
<ul style="list-style-type: none"> <li>■ Eau tiède et savonneuse avec détergent doux</li> </ul>	<ul style="list-style-type: none"> <li>■ Poudres ou liquides abrasifs</li> <li>■ Nettoyants à vitre en vaporisateur</li> <li>■ Ammoniaque</li> <li>■ Nettoyants acides ou à base de vinaigre</li> <li>■ Nettoyants à four</li> <li>■ Fluides inflammables</li> </ul>

**REMARQUE :** Les essuie-tout peuvent érafler et ternir le revêtement transparent de la porte peinte. Afin d'éviter tout dommage éventuel, utiliser des chiffons en tissu doux pour polir et essuyer les portes.

## Style 2 : Acier inoxydable

UTILISER	NE PAS UTILISER
<ul style="list-style-type: none"> <li>■ Chiffon doux et propre</li> </ul>	<ul style="list-style-type: none"> <li>■ Chiffons abrasifs</li> <li>■ Essuie-tout ou papier journal</li> <li>■ Tampons de laine d'acier</li> </ul>
<ul style="list-style-type: none"> <li>■ Eau tiède et savonneuse avec détergent doux</li> </ul>	<ul style="list-style-type: none"> <li>■ Poudres ou liquides abrasifs</li> <li>■ Ammoniaque</li> <li>■ Nettoyants à base d'agrumes</li> <li>■ Nettoyants acides ou à base de vinaigre</li> <li>■ Nettoyants à four</li> </ul>
<ul style="list-style-type: none"> <li>■ Pour les saletés importantes, utiliser seulement le nettoyant et poli pour acier inoxydable approuvé par le fabricant</li> </ul>	<ul style="list-style-type: none"> <li>■ Poudres ou liquides abrasifs</li> <li>■ Ammoniaque</li> <li>■ Nettoyants à base d'agrumes</li> <li>■ Nettoyants acides ou à base de vinaigre</li> <li>■ Nettoyants à four</li> <li>■ Chiffons abrasifs</li> <li>■ Essuie-tout ou papier journal</li> <li>■ Tampons de laine d'acier</li> </ul>

## REMARQUES :

- En cas de contact non intentionnel, nettoyer la pièce de plastique avec une éponge et un détergent doux dans de l'eau tiède. Sécher soigneusement avec un chiffon doux.
- Ne pas exposer les électroménagers en acier inoxydable à des éléments caustiques ou corrosifs tels que le sel, un niveau élevé d'humidité ou des environnements très humides. Les dommages causés par l'exposition à de tels éléments ne sont pas couverts par la garantie.
- Un nettoyant sous forme liquide ne signifie pas forcément qu'il n'est pas abrasif. Beaucoup de nettoyants liquides formulés pour nettoyer le carrelage et autres surfaces lisses en douceur peuvent tout de même endommager l'acier inoxydable.
- Lors du nettoyage de l'acier inoxydable, toujours frotter dans le sens du grain afin d'éviter d'érafler la surface.
- L'acide citrique décolore l'acier inoxydable de façon définitive. Afin d'éviter d'endommager le fini en acier inoxydable du réfrigérateur :

**Ne pas laisser les produits suivants pendant une durée prolongée sur le revêtement :**

- Moutarde
- Jus de tomates
- Sauce marinara
- Sauces à base d'agrumes
- Produits à base d'agrumes

## Nettoyage du condensateur

### **⚠ AVERTISSEMENT**



#### **Risque d'explosion**

**Risque d'incendie ou d'explosion causé par la perforation de la tubulure de réfrigération;**

**suivre avec attention les instructions de manipulation.**

**Fluide frigorigène inflammable utilisé.**

Le condensateur n'a pas besoin d'être nettoyé souvent dans des conditions de fonctionnement domestique normales. Si l'environnement est particulièrement gras, poussiéreux ou s'il y a des animaux domestiques dans la maison, le condenseur devrait être nettoyé tous les 6 mois pour assurer une efficacité maximum.

1. Débrancher le réfrigérateur ou déconnecter la source de courant électrique.
2. Retirer la grille de la base.
3. Utiliser un aspirateur à brosse douce pour nettoyer la grille, les endroits ouverts derrière la grille et la surface à l'avant du condensateur.
4. Replacer la grille de la base après avoir terminé.
5. Brancher le réfrigérateur ou reconnecter la source de courant électrique.

**REMARQUE :** Communiquer avec le service s'il est impossible de nettoyer le condensateur.

## Remplacer l'ampoule d'éclairage

**IMPORTANT :** Les lampes dans le réfrigérateur et le congélateur utilisent la technologie à DEL et n'ont pas besoin d'être remplacées. Si les lampes ne s'allument pas lorsqu'on ouvre la porte, appeler les numéros fournis pour obtenir de l'aide ou un dépannage. Consulter le Guide de démarrage rapide pour les coordonnées.

Le système d'éclairage pour cet appareil peut comprendre :

- Modules à DEL scellés
- Ampoules à DEL
- Ampoules incandescentes
- Ou une combinaison des susmentionnées.

**REMARQUE :** Si le produit est muni d'un module à DEL scellé, appeler pour obtenir de l'aide ou un entretien. Consulter le Guide de démarrage rapide pour les coordonnées.

Si une ampoule à DEL ne s'allume pas lorsque la porte du réfrigérateur et/ou du congélateur est ouverte, la remplacer par une ampoule semblable en procédant comme suit :

1. Débrancher le réfrigérateur ou déconnecter la source de courant électrique.
2. Retirer le protège-ampoule (sur certains modèles).
  - Retirer la visserie qui retient le protège-ampoules en place.
  - Sommet du compartiment de réfrigérateur – Faire glisser le protège-ampoule vers l'arrière du compartiment pour le libérer de l'ensemble d'éclairage.

3. Toutes les ampoules pour appareils ménagers ne conviendront pas à votre réfrigérateur. Remplacer les ampoules grillées à l'aide d'ampoules pour appareil ménager de la même taille, forme et puissance. Commander la pièce no W10565137 (3,6 W).

**REMARQUE :** Certaines ampoules DEL de rechange ne sont pas recommandées pour des environnements humides/mouillés. Les compartiments de réfrigération et de congélation sont considérés comme des environnements humides/mouillés.

Si on utilise une marque d'ampoules DEL différente de celle recommandée, lire et suivre toutes les instructions de l'emballage des ampoules DEL avant de procéder à l'installation.

4. Remettre en place le protège-ampoule (sur certains modèles) en insérant les languettes situées sur le protège-ampoule dans les trous de la doublure, de chaque côté de l'ensemble d'éclairage. Faire glisser le protège-ampoule vers l'avant jusqu'à ce qu'il s'emboîte.

**REMARQUE :** Afin d'éviter d'endommager le protège-ampoule, ne pas le forcer au-delà du point de verrouillage.

5. Replacer la visserie qui retient le protège-ampoule en place.
6. Brancher le réfrigérateur ou reconnecter la source de courant électrique.

Si une ampoule à incandescence ne s'allume pas lorsque la porte du réfrigérateur ou du congélateur est ouverte, la remplacer par une ampoule semblable en suivant la même procédure décrite ci-dessus. Remplacer l'ampoule grillée par une ampoule à incandescence de même taille, forme et puissance (maximum 40 W) conçues pour les appareils ménagers.

## Éclairage du compartiment de congélation (sur certains modèles)

1. Débrancher le réfrigérateur ou déconnecter la source de courant électrique.
2. Ôter le protège-ampoule.

Sommet du compartiment de congélation – Faire glisser le protège-ampoule vers l'arrière du compartiment pour le libérer de l'ensemble d'éclairage.

3. Remplacer l'ampoule grillée par une ampoule pour appareils électroménagers de 25 W maximum.
4. Réinstaller le protège-ampoule.
5. Brancher le réfrigérateur ou reconnecter la source de courant électrique.

## Tablettes du réfrigérateur

### Informations importantes à propos des tablettes et des couvercles en verre :

Ne pas nettoyer les tablettes ou les couvercles de verre avec de l'eau tiède lorsqu'ils sont froids. Les tablettes et couvercles peuvent se briser s'ils sont exposés à un changement de températures ou impact soudain, tel qu'une chute. Le verre trempé est conçu pour se briser en de multiples petits morceaux de la taille de gravillons. Ceci est normal. Les tablettes en verre et les couvercles sont lourds. Employer les deux mains lorsqu'on les retire afin d'éviter de les faire tomber.

Les tablettes de réfrigérateur sont réglables pour s'adapter aux besoins de rangement de l'utilisateur.

Afin de pouvoir trouver plus facilement l'article recherché, on peut remiser ensemble des aliments semblables dans le réfrigérateur et ajuster les tablettes pour les adapter aux différentes tailles d'articles. Ceci réduira également la durée d'ouverture de la porte du réfrigérateur et permettra d'économiser de l'énergie.

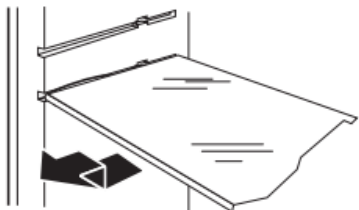
## Tablettes en verre

### Pour retirer une tablette :

1. Retirer les articles de la tablette.
2. Retirer la tablette en la faisant glisser tout droit jusqu'à la butée.
3. Selon le modèle, soulever l'arrière ou l'avant de la tablette et la retirer au-delà de la butée. Retirer complètement la tablette.

### Pour réinstaller une tablette :

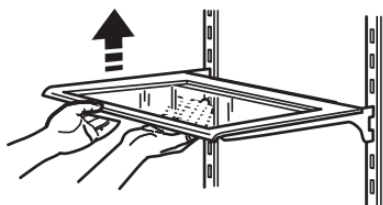
1. Réinstaller la tablette en la faisant glisser dans la rainure de la paroi de la caisse.
2. Guider l'avant de la tablette dans la rainure de tablette. S'assurer de faire glisser la tablette jusqu'au fond.



## Tablettes avec cadres de tablettes

### Enlever et réinstaller une tablette/un cadre de tablette :

1. Enlever la tablette/le cadre en l'inclinant vers le haut à l'avant et en la/le soulevant hors des supports de tablette.
2. Replacer la tablette/le cadre en dirigeant les crochets arrière de la tablette dans les supports de tablette. Incliner l'avant de la tablette vers le haut jusqu'à ce que les crochets arrière de la tablette se placent dans les supports de tablette.
3. Abaisser l'avant de la tablette et s'assurer que la tablette est bien en position.



## Tablettes équipées d'éclairage à DEL par en dessous (sur certains modèles)

En déplaçant l'éclairage à DEL à un nouvel emplacement sous les tablettes, cette technologie de pointe améliore l'éclairage de l'intérieur du réfrigérateur et aide à retrouver les articles désirés.

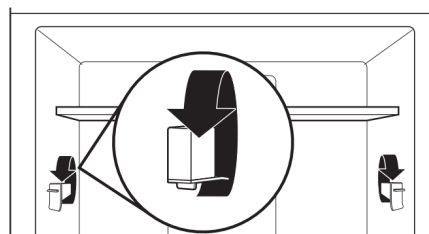
- Pour les modèles avec cadres de tablettes, les crochets à l'arrière de la tablette doivent être complètement insérés dans les supports de tablette pour assurer une alimentation électrique adéquate.
- Ne pas utiliser plus de deux tablettes munies d'éclairage par dessous en même temps dans le réfrigérateur.

## Tablettes avec supports de tablettes

La hauteur de tablette peut être ajustée en repositionnant les supports ajustables de tablettes sur leurs axes vertical et horizontal.

1. Retirer doucement la tablette en la soulevant de ses supports, puis tourner la languette selon l'orientation souhaitée.
2. Répéter l'opération pour les supports de tablette restants.

3. Appliquer une pression sur le haut de la tablette pour vérifier qu'elle est correctement appuyée sur les supports de tablette.



### Pour enlever et réinstaller les tablettes :

1. S'assurer que les supports ajustables de tablettes sont placés à la position la plus basse avant de retirer les tablettes. Les portes doivent aussi être ouvertes à un angle de 90°. Les tablettes seront plus difficiles à retirer si les portes sont ouvertes plus grand.
2. Ôter la tablette du milieu ou supérieure en la soulevant pour la sortir des supports de tablette. Tirer ensuite sur la tablette et l'incliner en position verticale vers le bas. Incliner la tablette à un angle et la retirer du réfrigérateur.

Les tablettes coulissantes en verre Infinity devraient être repoussées vers le fond. Lorsqu'elles sont inclinées, s'assurer que le verre ne glisse pas vers l'avant.

**REMARQUE :** Retirer la tablette du milieu avant celle du haut.

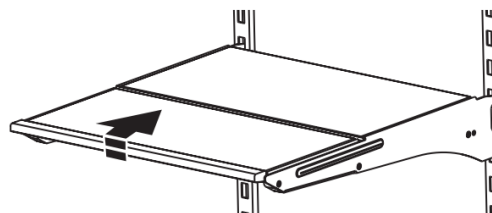
3. Ôter la tablette du bas en la soulevant pour la sortir des supports de tablette. Tirer ensuite sur la tablette en l'inclinant à la verticale vers le haut. Incliner la tablette à un angle et la retirer du réfrigérateur.
4. Replacer la tablette du milieu et du haut en les plaçant dans le réfrigérateur en utilisant un angle, l'avant de la tablette vers le bas. Soulever l'avant de la tablette vers le haut et la faire glisser jusqu'à ce que l'arrière de la tablette se place sur les supports de tablette. Abaisser l'avant de la tablette et s'assurer que la tablette est bien en position.
5. Replacer la tablette du bas en la plaçant dans le réfrigérateur en utilisant un angle, l'avant de la tablette vers le haut. Incliner l'avant de la tablette et la faire glisser jusqu'à ce que l'arrière de la tablette se place sur les supports de tablette. Abaisser l'avant de la tablette et s'assurer que la tablette est bien en position.

## Tablette escamotable/coulissante (sur certains modèles)

Certaines tablettes se rabattent ou coulissent pour créer de la place pour des articles plus grands.

### Pour rétracter et déployer la section avant de la tablette :

1. Pour rétracter la section avant de la tablette, soulever légèrement le rebord avant et repousser la partie escamotable de la tablette vers l'arrière du réfrigérateur.
2. Déployer l'avant de la tablette en tirant sur la partie rétractée de la tablette jusqu'à ce qu'elle soit complètement déployée.





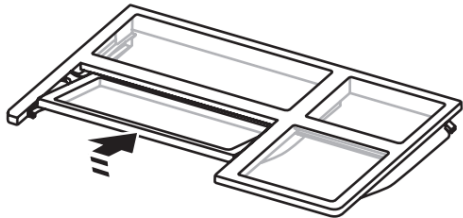
## Tablette repliable (sur certains modèles)

### Pour replier la tablette repliable :

Replier la section repliable de la tablette en maintenant l'avant de la tablette d'une main et en soulevant la partie centrale avant de la tablette. Repousser ensuite la tablette vers l'arrière tout en appuyant dessus jusqu'à ce qu'elle coulisse en dessous de la section arrière de la tablette.

### Pour réinstaller la tablette repliable :

Repositionner la section repliable de l'étagère en maintenant l'avant de l'étagère d'une main tout en tirant sur le centre de l'étagère jusqu'à ce que la section repliable soit de nouveau complètement déployée.



## Tablettes MicroEdge® Glo (sur certains modèles)

Les crochets à l'arrière de la tablette doivent être complètement insérés dans les supports de tablette pour assurer une alimentation électrique adéquate.

Ne pas utiliser plus de deux tablettes munies d'éclairage par dessous en même temps dans le réfrigérateur.

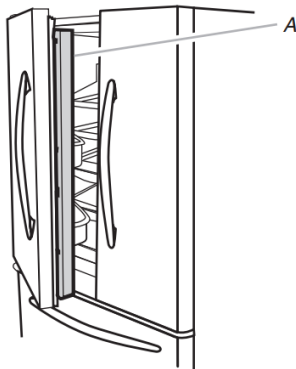
## Ouverture et fermeture des portes

Il y a deux portes pour le compartiment de réfrigération. Les portes peuvent être ouvertes et fermées séparément ou ensemble. Sur certains modèles, il y a un mécanisme de fermeture automatique évitant que la ou les portes ne restent ouvertes de façon involontaire. Si la porte est ouverte à un angle de 40° ou moins, elle se refermera automatiquement en douceur.

**IMPORTANT :** Si les portes ne se referment pas automatiquement à un angle de 40° ou moins, voir la section « Charnière inférieure de porte ».

Il y a sur la porte de gauche du réfrigérateur un joint à charnière verticale.

- Lors de l'ouverture de la porte du côté gauche, le joint à charnière se replie automatiquement vers l'intérieur pour qu'il n'y ait pas d'interférence.
- Lorsque les deux portes sont fermées, le joint à charnière assure automatiquement l'étanchéité entre les deux portes.

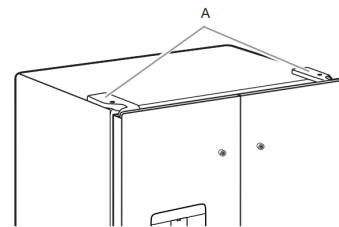


A. Joint à charnière

Le commutateur de la porte du réfrigérateur est situé dans le coin supérieur gauche et le couvercle de la charnière de droite.

- Le commutateur de porte utilise un aimant pour capter l'ouverture et la fermeture de la porte.
- S'assurer qu'aucun aimant ou appareil électronique (enceinte, CoolVox,® etc.) ne se trouve à moins de 3 po (7,62 cm) du couvre-charnière.

**REMARQUE :** L'éclairage et l'interface utilisateur (IU) intérieure ne se mettent pas en marche s'il n'y a pas de détection d'ouverture de porte.



A. Couvre-charnière

## Précautions à prendre avant les vacances ou le déménagement

### Vacances

Si le réfrigérateur est laissé en marche pendant une absence :

1. Consommer toutes les denrées périssables et congeler les autres articles.
2. Si le réfrigérateur comporte une machine à glaçons automatique et qu'il est raccordé à la source d'approvisionnement en eau du domicile, fermer la source d'approvisionnement en eau du réfrigérateur. Des dommages matériels peuvent survenir si l'alimentation en eau n'est pas coupée.
3. Si votre machine à glaçons est automatique, éteindre la machine à glaçons.

**REMARQUE :** Selon le modèle, soulever le bras de commande métallique à la position Off (arrêt) (position élevée), ou placer le commutateur sur Off (arrêt).

4. Vider le bac à glaçons.

Modèles avec fonction Vacation mode (mode vacances)

- Activer Vacation mode (mode vacances). Consulter le « Guide de démarrage rapide » pour les détails.

**REMARQUE :** L'activation du mode « vacances » ne désactive pas la machine à glaçons.

Si l'utilisateur choisit d'arrêter le réfrigérateur avant son absence :

1. Enlever tous les aliments du réfrigérateur.
2. Si le réfrigérateur est équipé d'une machine à glaçons automatique :
  - Fermer l'approvisionnement en eau de la machine à glaçons au moins un jour à l'avance.
  - Lorsque la dernière quantité de glaçons est déposée, soulever le bras de commande d'arrêt métallique à la position Off (arrêt/position haute) ou placer le commutateur sur Off (arrêt), selon le modèle.
3. Vider le bac à glaçons.
4. Éteindre la/les commande(s) de température. Voir le « Guide de démarrage rapide ».
5. Nettoyer le réfrigérateur, l'essuyer et bien le sécher.



- À l'aide d'un ruban adhésif, placer des blocs de caoutchouc ou de bois dans la partie supérieure de chaque porte de façon à ce qu'elles soient suffisamment ouvertes pour permettre à l'air d'entrer et d'éviter l'accumulation d'odeur ou de moisissure.

### Déménagement

En cas de déménagement et de déplacement du réfrigérateur dans une nouvelle habitation, suivre ces étapes pour préparer le déménagement.

- Si le réfrigérateur est équipé d'une machine à glaçons automatique :
  - Fermer l'approvisionnement en eau de la machine à glaçons au moins un jour à l'avance.
  - Débrancher la canalisation d'eau de l'arrière du réfrigérateur.
  - Lorsque la dernière quantité de glaçons est déposée, soulever le bras de commande d'arrêt métallique à la position Off (arrêt/position haute) ou placer le commutateur sur Off (arrêt), selon le modèle.
- Retirer tous les aliments du réfrigérateur et placer tous les aliments congelés dans de la neige carbonique.
- Vider le bac à glaçons.
- Éteindre la/les commande(s) de température. Voir le « Guide de démarrage rapide ».
- Débrancher le réfrigérateur
- Bien nettoyer, essuyer et sécher.
- Retirer toutes les pièces amovibles, bien les envelopper et les attacher ensemble avec du ruban adhésif pour qu'elles ne bougent et ne s'entrechoquent pas durant le déménagement.
- Selon le modèle, soulever l'avant du réfrigérateur pour qu'il roule plus facilement ou soulever les pieds de nivellement pour qu'ils n'égratignent pas le plancher. Voir les sections « Ajustement des portes » ou « Fermeture et alignement des portes ».
- Fermer les portes à l'aide de ruban adhésif et fixer le cordon d'alimentation à la partie arrière du réfrigérateur.

Une fois arrivé à votre nouveau domicile, remettre tout en place et consulter la section des « Instructions d'installation » pour des instructions sur la préparation de l'appareil. Aussi, si le réfrigérateur comporte une machine à glaçons automatique, ne pas oublier de rebrancher l'approvisionnement en eau au réfrigérateur.

## INSTRUCTIONS D'INSTALLATION

### Déballage du réfrigérateur

#### **AVERTISSEMENT**

##### Risque de poids excessif

**Utiliser deux personnes ou plus pour déplacer et installer l'appareil.**

**Le non-respect de cette instruction peut causer une blessure au dos ou d'autres blessures.**

### Livraison du réfrigérateur

- Une ouverture de porte minimum de 33 po (838 mm) est nécessaire. Si l'ouverture est inférieure ou égale à 36 po (914 mm), il faudra enlever les portes, tiroirs et charnières.
- Pousser le chariot avec le réfrigérateur de côté pour toutes les ouvertures de porte.

### Retrait des matériaux d'emballage

- Enlever tout résidu de ruban adhésif et de colle des surfaces avant de mettre en marche votre tiroir de réfrigération. Frotter une petite quantité de savon liquide à vaisselle sur l'adhésif avec les doigts. Rincer à l'eau tiède et sécher.
- Ne pas utiliser d'instruments coupants, d'alcool à friction, de liquides inflammables ou de nettoyants abrasifs pour enlever le ruban adhésif ou la colle. Ces produits peuvent endommager la surface du réfrigérateur. Pour plus de renseignements, voir la section « Sécurité du réfrigérateur ».
- Éliminer/recycler tous les matériaux d'emballage.

### Lors du déplacement du réfrigérateur :

Ce réfrigérateur est lourd. Lors du déplacement de ce réfrigérateur pour un nettoyage ou un entretien, veiller à recouvrir le plancher d'un carton ou panneau de fibre dur pour éviter de l'endommager. Toujours tirer le réfrigérateur tout droit lors du déplacement. Ne pas incliner le réfrigérateur d'un côté ou de l'autre ni le « faire marcher » en essayant de le déplacer, car le sol pourrait être endommagé.

### Nettoyage avant utilisation

Après avoir enlevé tous les matériaux d'emballage, nettoyer l'intérieur du réfrigérateur avant de l'utiliser. Voir les instructions de nettoyage dans la section « Entretien du réfrigérateur ».

### Informations importantes à propos des tablettes et des couvercles en verre :

Ne pas nettoyer les tablettes ou les couvercles de verre avec de l'eau tiède lorsqu'ils sont froids. Les tablettes et couvercles peuvent se briser s'ils sont exposés à un changement de températures ou impact soudain, tel qu'une chute. Le verre trempé est conçu pour se briser en de multiples petits morceaux de la taille de gravillons. Ceci est normal. Les tablettes en verre et les couvercles sont lourds. Employer les deux mains lorsqu'on les retire afin d'éviter de les faire tomber

## Exigences d'emplacement

### **⚠ AVERTISSEMENT**



#### Risque d'explosion

**Garder les matières et les vapeurs inflammables, telles que l'essence, à l'écart de l'appareil.**

**Utiliser un produit de nettoyage ininflammable.**

**Le non-respect de ces instructions peut causer un décès, une explosion ou un incendie.**

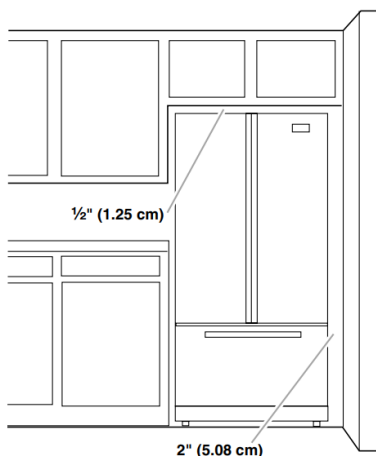
**IMPORTANT :** Cet appareil est destiné à un usage domestique à l'intérieur et à d'autres usages similaires comme :

- espace de cuisine pour personnel de boutiques, bureaux et autres environnements professionnels;
- résidences fermières et utilisation par les clients d'hôtels, de motels et d'autres types de résidences;
- Environnements de type chambres d'hôtes;
- Banquets et autres utilisations non commerciales semblables.

**REMARQUE :** Si le fabricant souhaite réduire l'utilisation de l'appareil à des valeurs inférieures à ce qui est mentionné ci-dessus, la mention doit être clairement indiquée dans les instructions.

Pour obtenir une aération appropriée pour le réfrigérateur, laisser un espace de 1/2 po (1,25 cm) de chaque côté et au sommet. Laisser un espace de 1 (2,54 cm) derrière le réfrigérateur. Si le réfrigérateur comporte une machine à glaçons, s'assurer qu'un espace additionnel est prévu à l'arrière pour permettre les raccordements des conduits d'eau. En cas d'installation du réfrigérateur près d'un mur fixe, laisser un minimum de 2 po (6,3 cm) entre le réfrigérateur et le mur pour permettre à la porte de s'ouvrir sans obstruction.

**REMARQUE :** Ce réfrigérateur est conçu pour être utilisé dans un endroit où la température est comprise entre un minimum de 55 ° F (13 ° C) et un maximum de 110 ° F (43 ° C). La plage de température ambiante idéale pour un rendement optimal est comprise entre 60 ° F (15 ° C) et 90 ° F (32 ° C). Respecter cette plage de température permet aussi de réduire la consommation d'électricité et d'optimiser l'efficacité du refroidissement. Il est recommandé de ne pas installer le réfrigérateur près d'une source de chaleur comme un four ou un radiateur.



## Spécifications électriques

### **⚠ AVERTISSEMENT**



#### Risque de décharge électrique

**Brancher l'appareil sur une prise à 3 alvéoles reliée à la terre.**

**Ne pas enlever la prise de liaison à la terre.**

**Ne pas utiliser d'adaptateur.**

**Ne pas utiliser de rallonge.**

**Le non-respect de ces instructions peut causer un décès, un incendie ou une décharge électrique.**

Avant de placer le réfrigérateur à son emplacement final, il est important de s'assurer d'avoir la connexion électrique appropriée.

Si le cordon d'alimentation est endommagé, il doit être remplacé par le fabricant, son agent de service ou toute autre personne également qualifiée. Ne pas utiliser un cordon craquelé ou qui présente des dommages d'abrasion sur la gaine, la fiche ou le connecteur.

#### Méthode recommandée de liaison à la terre

Un circuit de 115 V CA à 60 Hz relié à la terre et protégé par un fusible de 15 A ou 20 A est requis. On recommande que le réfrigérateur et les accessoires approuvés soient alimentés par un circuit indépendant. Utiliser une prise de courant dont l'alimentation ne peut pas être interrompue par un interrupteur. Ne pas utiliser de rallonge.

**IMPORTANT :** ce produit est connecté à une prise protégée par un disjoncteur de fuite à la terre, un déclenchement intempestif peut se produire et causer une perte de refroidissement. La qualité et la saveur des aliments risquent d'être affectées. Si un déclenchement intempestif se produit et si les aliments semblent de piètre qualité, jeter les aliments.

**REMARQUE :** Avant d'installer, de nettoyer un quelconque élément, de remplacer une ampoule d'éclairage, désactiver le refroidissement ou placer la commande (du thermostat, réfrigérateur ou congélateur selon le modèle) à Off (arrêt). Sur les modèles avec commande de température numérique, appuyer sur le symbole moins jusqu'à ce qu'un tiret (–) apparaisse sur l'affichage du réfrigérateur et du congélateur. Déconnecter le réfrigérateur de la source de courant électrique. Lorsque vous avez terminé, reconnecter le réfrigérateur à la source d'alimentation électrique et réactiver le refroidissement ou replacer la commande (du thermostat, réfrigérateur ou congélateur selon le modèle) au réglage désiré. Voir le « Guide de démarrage rapide ».

## Spécifications de l'alimentation en eau

Rassembler les outils et pièces nécessaires avant d'entreprendre l'installation. Lire et observer les instructions fournies avec chacun des outils de la liste ci-dessous.

### Outils requis :

- Tournevis à tête plate
  - Clés plates de 7/16 po et 1/2 po ou deux clés à molette
  - Brancher sur une alimentation en eau potable uniquement
  - Tourne-écrou de 1/4 po
  - Foret de 1/4 po
  - Perceuse sans fil
- Ne pas utiliser ce produit pour filtrer une eau microbiologiquement polluée ou de qualité inconnue en l'absence d'un dispositif de désinfection adéquat en amont ou en aval du système. Les systèmes certifiés pour la réduction des kystes peuvent être utilisés pour une eau désinfectée susceptible de contenir des kystes filtrables.
- Toutes les installations doivent être conformes aux exigences des codes locaux de plomberie.
  - Ne pas employer de robinet d'arrêt à étrier de 3/16 po (4,76 mm) ou de type à percer – ils réduisent le débit d'eau et s'obstruent plus facilement.
  - Utiliser un tuyau en cuivre ou en polyéthylène réticulé et vérifier qu'il n'y a pas de fuite. Installer seulement des tuyaux en cuivre ou en polyéthylène réticulé là où les températures resteront au-dessus du point de congélation.
  - Pour les modèles avec filtre à eau, le filtre à eau jetable doit être remplacé au moins tous les 6 mois.

### Pression d'eau

Une alimentation en eau froide avec une pression entre 35 et 120 lb/po<sup>2</sup> (241 et 827 kPa) est nécessaire pour faire fonctionner le distributeur d'eau et la machine à glaçons. Pour toute question au sujet de la pression de l'eau, faire appel à un plombier qualifié agréé.

**REMARQUE :** Si la pression en eau est inférieure aux critères minimaux, le débit du distributeur d'eau pourrait diminuer ou entraîner la formation de glaçons creux ou de forme irrégulière.

### Alimentation en eau par osmose inverse

**IMPORTANT :** La pression de l'alimentation en eau entre le système d'osmose inverse et le robinet d'arrivée d'eau du réfrigérateur doit se situer entre 241 à 827 kPa (35 et 120 lb/po<sup>2</sup>).

Si un système de filtration de l'eau par osmose inverse est raccordé à votre alimentation en eau froide, la pression de l'eau au système doit être d'un minimum de 276 à 414 kPa (40 à 60 lb/po<sup>2</sup>).

Si la pression d'eau au système de filtration par osmose inverse est inférieure à 276 - 414 kPa (40 - 60 lb/po<sup>2</sup>) :

- Vérifier que le filtre à sédiment dans le système à osmose inverse n'est pas obstrué. Remplacer le filtre si nécessaire.
  - Laisser le réservoir du système d'osmose inverse se remplir après une utilisation intense. La capacité du réservoir est peut-être trop faible pour répondre aux spécifications du réfrigérateur.
- REMARQUE :** Un système d'osmose inverse monté sur robinet est déconseillé.
- Si le réfrigérateur comporte un filtre à eau, celui-ci peut réduire la pression de l'eau lorsqu'il est utilisé avec un système d'osmose inverse. Enlever le filtre à eau. Consulter la section « Système de filtration d'eau ».

Pour toute question au sujet de la pression de l'eau, faire appel à un plombier qualifié agréé.

## Raccordement à la canalisation d'eau

Lire toutes les instructions avant de commencer.

### IMPORTANT :

- Réaliser l'installation de plomberie conformément aux prescriptions du International Plumbing Code et des normes et codes locaux en vigueur.
  - Le tuyau d'eau gris situé à l'arrière du réfrigérateur (et utilisé pour raccorder l'appareil à la canalisation d'eau du domicile) est un tuyau en polyéthylène réticulé. Il est possible d'utiliser des raccords en cuivre et en polyéthylène réticulé pour le raccordement de la canalisation d'eau du domicile au réfrigérateur; ils contribuent à éviter que l'eau ait un goût ou une odeur désagréable. Vérifier qu'il n'y a pas de fuites. Si on utilise un tuyau en polyéthylène réticulé au lieu d'un tuyau de cuivre, nous recommandons les numéros de pièce suivants : W10505928RP (PEX chemisé de 7 pi [2,14 m]), 8212547RP (PEX de 5 pi [1,52 m]) ou W10267701RP (PEX de 25 pi [7,62 m]).
  - Installer des tuyaux seulement là où les températures resteront au-dessus du point de congélation.
  - Raccorder à la canalisation d'arrivée d'eau potable uniquement.
- Ne pas utiliser ce produit pour filtrer une eau microbiologiquement polluée ou de qualité inconnue en l'absence d'un dispositif de désinfection adéquat en amont ou en aval du système. Les systèmes certifiés pour la réduction des kystes peuvent être utilisés pour une eau désinfectée susceptible de contenir des kystes filtrables.

### Outils requis :

Rassembler les outils et pièces nécessaires avant d'entreprendre l'installation.

- Tournevis à tête plate
- Clés plates de 7/16 po et 1/2 po ou deux clés à molette
- Tourne-écrou de 1/4 po
- Foret de 1/4 po
- Perceuse sans fil

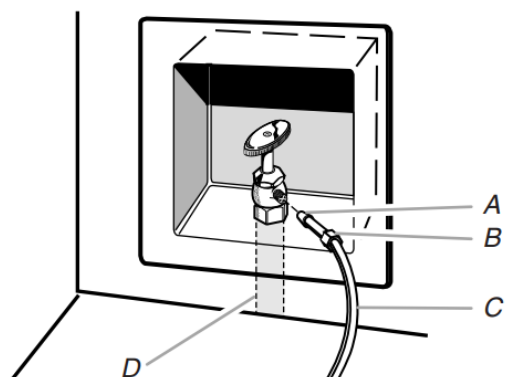
**REMARQUE :** Votre marchand de réfrigérateurs propose une trousse avec un robinet d'arrêt à étrier de 1/4 po (6,35 mm), un raccord et un tube en cuivre ou en polyéthylène réticulé. Avant d'en faire l'achat, s'assurer que le robinet d'arrêt à étrier est conforme aux codes locaux de plomberie. Ne pas employer de robinet d'arrêt à étrier de 3/16 po (4,76 mm) ou de type à percer – ils réduisent le débit d'eau et s'obstruent plus facilement.

### Raccordement à la canalisation d'eau

**IMPORTANT :** Si on met le réfrigération en marche avant que la canalisation d'eau ne soit raccordée, éteindre la machine à glaçons.

1. Débrancher le réfrigérateur ou déconnecter la source de courant électrique.
2. Couper l'alimentation principale en eau. Ouvrir le robinet le plus proche assez longtemps pour vider l'eau du tuyau.
3. Utiliser un robinet d'arrêt quart de tour ou équivalent alimenté par une canalisation d'alimentation domestique en cuivre ou en polyéthylène réticulé de 1/2 po.

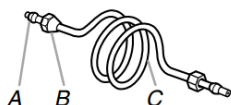
**REMARQUE :** Pour que le réfrigérateur reçoive un débit d'eau suffisant, on recommande l'emploi d'une canalisation d'alimentation domestique en cuivre ou en polyéthylène réticulé de 1/2 po minimum.



- A. Ampoule
- B. Écrou
- C. Tuyau en cuivre ou en polyéthylène réticulé (vers le réfrigérateur)
- D. Canalisations d'alimentation en eau du domicile (1/2 po minimum)

4. On est maintenant prêt à connecter le tuyau en cuivre ou en polyéthylène réticulé au robinet d'arrêt. Utiliser une canalisation en cuivre ou en polyéthylène réticulé de 1/4 po (6,35 mm) (diamètre externe) pour raccorder le robinet d'arrêt au réfrigérateur.

- S'assurer d'avoir la longueur nécessaire pour une installation correcte. Il faut s'assurer que les deux extrémités du tuyau en cuivre sont bien coupées à angle droit.
- Installer la bague et l'écrou à compression sur le tuyau en cuivre comme indiqué. (Le tuyau en polyéthylène réticulé possède des viroles et écrous de compression déjà installés.) Insérer l'extrémité du tuyau aussi profondément que possible dans l'extrémité de sortie et à l'équerre. Visser l'écrou de compression sur l'extrémité de sortie du raccord à l'aide d'une clé à molette. Ne pas serrer excessivement.



- A. Virole de compression
- B. Écrou de compression
- C. Tuyau en cuivre ou en polyéthylène réticulé

5. Placer l'extrémité libre de la canalisation dans un contenant ou un évier et rétablir l'alimentation principale en eau pour nettoyer le tuyau jusqu'à ce que l'eau soit limpide. Fermer le robinet d'arrêt de la canalisation d'eau.

**REMARQUE :** Toujours vidanger le tuyau d'alimentation en eau avant de faire le raccordement final sur l'entrée du robinet pour éviter tout mauvais fonctionnement éventuel du robinet.

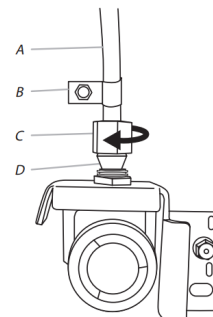
6. Courber le tuyau de cuivre ou de polyéthylène réticulé de façon à le raccorder à l'arrivée de la canalisation d'eau située à l'arrière de la caisse du réfrigérateur. Laisser une partie du tube en cuivre ou de polyéthylène réticulé enroulée pour permettre de dégager le réfrigérateur de l'armoire ou du mur en cas de dépannage.

## Raccordement au réfrigérateur

Selon le modèle, la canalisation d'eau peut être orientée de bas en haut ou de haut en bas. Appliquer les instructions de raccordement appropriées au modèle.

### Style 1

1. Ôter le bouchon de plastique de l'orifice d'entrée d'eau. Raccorder la canalisation en cuivre ou en polyéthylène réticulé au robinet d'arrivée d'eau à l'aide d'un écrou et d'une bague de compression, comme illustré. Serrer l'écrou de compression. Ne pas serrer excessivement. Vérifier la solidité du raccordement en tirant sur la canalisation en cuivre ou en polyéthylène réticulé.
2. Créer une boucle de service avec la canalisation en cuivre. Éviter de déformer le tube en l'enroulant. Fixer la canalisation en cuivre ou en polyéthylène réticulé à la caisse du réfrigérateur à l'aide d'un collier en P.



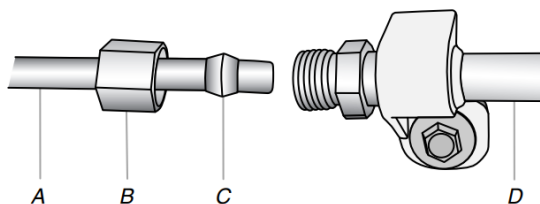
- A. Tuyau en cuivre ou en polyéthylène réticulé
- B. Collier en P
- C. Écrou de compression
- D. Virole de compression

3. Ouvrir l'arrivée d'eau alimentant le réfrigérateur et vérifier l'absence de fuites. Éliminer toute fuite détectée.

### Style 2

1. Débrancher le réfrigérateur ou déconnecter la source de courant électrique.
2. Retirer et jeter la courte pièce en plastique noire de l'extrémité du point d'entrée de la canalisation d'eau.
3. Enfiler l'écrou sur l'extrémité du tuyau. Serrer l'écrou manuellement. Ensuite, serrer deux tours de plus avec une clé. Ne pas serrer excessivement.

**REMARQUE :** Pour éviter les vibrations, veiller à ce que les tuyaux en cuivre ne soient pas en contact avec les parois latérales de la machine à glaçons ou d'autres composants à l'intérieur de la caisse.



- A. Canalisations d'eau du domicile
- B. Écrou (à acheter)
- C. Virole (à acheter)
- D. Tuyau d'eau du réfrigérateur

4. Installer la bride de la canalisation d'alimentation en eau bien autour de la canalisation pour réduire la pression sur le raccord.
5. Ouvrir le robinet d'arrêt.

6. Vérifier qu'il n'y a pas de fuites. Serrer tous les raccords (y compris les raccords du robinet) ou les écrous qui présentent des fuites.
7. Sur certains modèles, la machine à glaçons comporte un filtre à eau incorporé. Si les caractéristiques de l'eau requièrent un second filtre à eau, installer celui-ci dans la canalisation d'eau de 1/4 po (6,35 mm) à l'une ou l'autre des extrémités de la canalisation. Se procurer un filtre à eau auprès de votre marchand d'appareils ménagers.

## Terminer l'installation

### **⚠ AVERTISSEMENT**



#### Risque de décharge électrique

Brancher l'appareil sur une prise à 3 alvéoles reliée à la terre.

Ne pas enlever la prise de liaison à la terre.

Ne pas utiliser d'adaptateur.

Ne pas utiliser de rallonge.

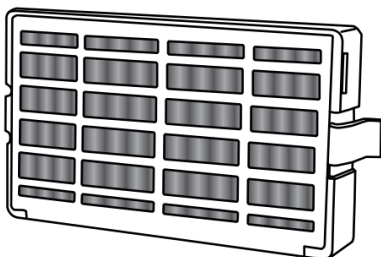
**Le non-respect de ces instructions peut causer un décès, un incendie ou une décharge électrique.**

1. Brancher l'appareil dans une prise à 3 alvéoles reliée à la terre.  
**REMARQUE :** Prévoir un délai de 24 heures pour la production du premier lot de glaçons. Jeter les trois premiers lots de glaçons produits. Prévoir un délai de 3 jours pour le remplissage complet du bac d'entreposage.
2. Rincer le système de distribution d'eau. Voir la section « Distributeurs d'eau et de glaçons ».

## Installer le filtre à air (sur certains modèles)

Ce filtre à air réduit l'accumulation d'odeurs. Ceci aide à maintenir un environnement plus propre à l'intérieur du réfrigérateur. Un filtre à air est 15 fois plus puissant que le bicarbonate de soude pour réduire les odeurs courantes d'aliments à l'intérieur du réfrigérateur.

Le sachet d'accessoires du réfrigérateur comprend un filtre à air qui doit être installé avant d'utiliser le réfrigérateur. Sur certains modèles, le filtre à air est préinstallé à l'usine.



## Installation du filtre à air

Selon le modèle, le filtre à air peut être installé de l'une des façons suivantes :

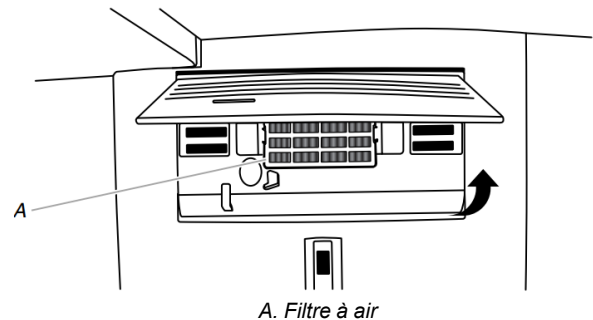
### Style 1 – Derrière la porte d'aération :

Installer le filtre derrière la porte à aérations, le long de la paroi arrière, à proximité du sommet du compartiment de réfrigération.

1. Retirer le filtre à air de son emballage.

**REMARQUE :** Un témoin d'état du filtre à air est fourni avec le filtre à air. Le témoin n'est pas nécessaire pour les modèles qui affichent l'état du filtre à air sur le tableau de commande.

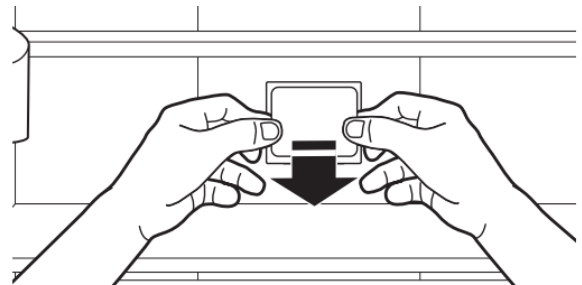
2. Ouvrir la porte à aérations en la soulevant.
3. Emboîter le filtre pour le mettre en place.



### Style 2 – Derrière le couvercle d'aération à DEL

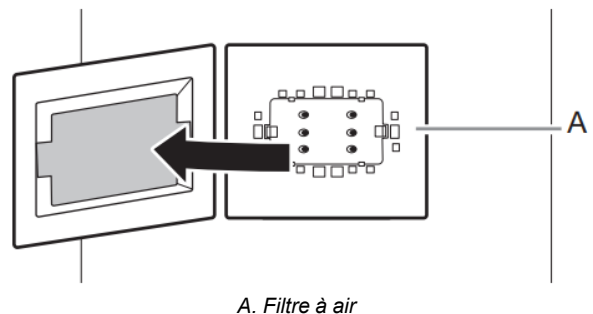
Installer le filtre derrière le couvercle d'aération illuminé à DEL bleue situé le long de la paroi arrière, près du milieu du réfrigérateur.

1. Retirer le filtre à air de son emballage.
2. Saisir fermement à deux mains le couvercle de plastique du couvercle de ventilation et tirer pour enlever.



**REMARQUE :** Lorsque le couvercle est enlevé pour la première fois, une petite pièce en mousse de la taille du filtre devra être retirée et jetée.

3. Emboîter le filtre pour le mettre en place.



## Installation des témoins lumineux (sur certains modèles)

L'icône de filtre sur le panneau de commande affiche l'état du filtre à air.

- **Bleu** : Good (bon).
- **Jaune** : Commander un filtre de remplacement.
- **Rouge** : Remplacer le filtre à air.
- **Rouge et « Replace Filter » (remplacer le filtre) qui clignote** : Expiré.

Après avoir remplacé le filtre à air, appuyer sur le bouton Air filter (filtre à air) pendant 3 secondes. Les icônes du filtre s'éteindront. Consulter le « Guide de démarrage rapide ». Lorsque l'on réinitialise le système, l'icône du filtre à air reprend sa couleur bleue et les mots « Replace Filter » (remplacer le filtre) disparaissent du tableau de commande.

**REMARQUE** : Quel que soit l'état du filtre, appuyer sur Air filter (filtre à air) pendant 3 secondes pour réinitialiser l'état du filtre à air et le ramener à « bon » – l'icône du filtre à air s'éteindra ensuite.

### Remplacer le filtre à air

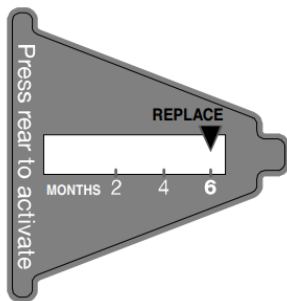
Le filtre à air jetable doit être remplacé tous les 6 mois ou lorsque l'icône du témoin du filtre à air s'allume et commence à clignoter lorsqu'on ouvre la porte du réfrigérateur.

Pour commander un filtre à air de remplacement, consulter les informations de commande du guide de démarrage rapide.

1. Retirer l'ancien filtre à air en serrant les onglets latéraux.
2. Installer le filtre à air et le témoin neufs à l'aide des instructions des sections précédentes.

### Témoin d'état du filtre à air – Installation standard

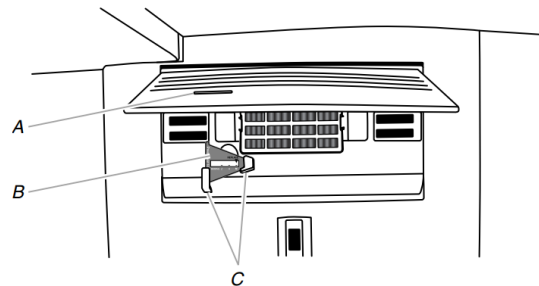
Le filtre comporte un témoin d'état qui doit être activé et installé en même temps que le filtre à air.



1. Placer le témoin orienté vers le bas sur une surface ferme et plane.
2. Appliquer une pression sur la bulle située à l'arrière du témoin jusqu'à ce que la bulle éclate – ceci active le témoin.
3. Ouvrir la porte du filtre à air à aérations en la soulevant. Sur certains modèles, l'arrière de la porte comporte des encoches.

### Modèles avec encoches :

- Faire glisser le témoin vers le bas et l'insérer dans les encoches en orientant l'écran du témoin vers l'extérieur.  
**REMARQUE** : Le témoin ne glissera pas facilement dans les encoches si la bulle arrière n'a pas éclaté.
- Fermer la porte du filtre à air et vérifier que le témoin est visible par la petite fenêtre dans la porte.



A. Fenêtre du témoin  
B. Témoin d'état du filtre à air  
C. Encoches

- Placer le témoin dans un endroit visible dont l'utilisateur se souviendra facilement – soit à l'intérieur du réfrigérateur soit dans un autre endroit de la cuisine ou du domicile.

### Remplacer le filtre à air

Le filtre à air jetable doit être remplacé tous les 6 mois, lorsque le témoin est entièrement passé du blanc au rouge.

Pour commander un filtre à air de remplacement, consulter les informations de commande du guide de démarrage rapide.

1. Retirer l'ancien filtre à air en serrant les onglets latéraux.
2. Retirer le témoin d'état usagé.
3. Installer le filtre à air et le témoin neufs à l'aide des instructions des sections précédentes.

## Installation du conservateur de produits frais (sur certains modèles)

Le sachet d'accessoires du réfrigérateur comprend un sachet de conservation pour produits frais, qui doit être installé avant d'utiliser le réfrigérateur. Sur certains modèles, le conservateur pour produits frais est préinstallé à l'usine. Pour commander un conservateur pour produits frais, utiliser le numéro de pièce W10346771.

Le conservateur pour produits frais absorbe l'éthylène, permettant ainsi un ralentissement du processus de maturation de nombreux produits frais. Ainsi, la fraîcheur de certains produits frais est prolongée.



La production d'éthylène et la sensibilité des produits à l'éthylène varient selon le type de fruit ou de légume. Pour préserver la fraîcheur des produits, il est conseillé de séparer les produits frais sensibles à l'éthylène des fruits qui en produisent en quantité modérée à élevée.

	Sensibilité à l'éthylène	Production d'éthylène
Pommes	Élevée	Très élevé
Asperges	Moyenne	Très basse
Petits fruits	Basse	Basse
Brocoli	Élevée	Très basse
Cantaloup	Moyenne	Élevée
Carottes	Basse	Très basse
Agrumes	Moyenne	Très basse
Raisin	Basse	Très basse
Laitue	Élevée	Très basse
Poires	Élevée	Très élevé
Épinards	Élevée	Très basse

### Installation du conservateur pour produits frais

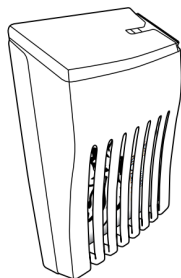
**ATTENTION : IRRITANT. PEUT ÊTRE IRRITANT POUR LES YEUX ET LA PEAU. CE PRODUIT DÉGAGE DES VAPEURS DANGEREUSES LORSQUE MÉLANGÉ À D'AUTRES PRODUITS.**

Ne pas mélanger à des produits de nettoyage contenant de l'ammoniaque, un agent de blanchiment ou des acides. Ne pas mettre en contact avec les yeux, la peau ou les vêtements. Ne pas inhaler les poussières. Conserver hors de portée des enfants.

**PREMIERS SOINS :** Contient du permanganate de potassium. En cas d'ingestion, appeler immédiatement un centre antipoison ou un médecin. Ne pas faire vomir. S'il y a eu contact avec les yeux, rincer sous l'eau pendant 15 minutes. S'il y a eu contact avec la peau, rincer sous l'eau.

#### Style 1 – Situé à l'intérieur du réfrigérateur :

- Repérer le logement du conservateur pour produits frais à l'intérieur du réfrigérateur.



- Soulever le logement pour l'extraire de la languette de montage.
- Ouvrir le logement en soulevant l'arrière du sommet du logement pour l'extraire.
- Retirer les sachets de conservation pour produits frais de l'emballage. Placer les sachets dans le logement, puis emboîter les parties du logement pour le refermer.

**REMARQUE :** Pour un rendement idéal, toujours utiliser les deux sachets.

- Fixer le logement pour sachets de conservation pour produits frais sur la paroi arrière du bac à légumes en suivant les instructions fournies dans l'emballage.
- Réinstaller le logement sur la languette de montage.

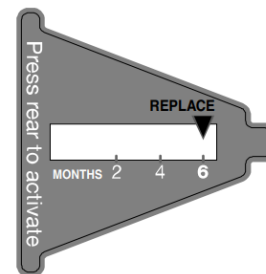
#### Style 2 – »Situé dans le bac à légumes ou les tiroirs du réfrigérateur :

Pour plus de commodité, le conservateur pour produit frais à fixation par succion peut être installé dans le tiroir à légumes ou les tiroirs réfrigérés.

- Laver l'intérieur de chaque tiroir à l'aide d'une solution de savon doux et d'eau tiède; sécher complètement.
- Trouver l'emballage contenant le conservateur pour produits frais à l'intérieur du réfrigérateur, puis installer le conservateur pour produits frais dans le tiroir selon les instructions fournies dans l'emballage.

### Installation du témoin d'état

Le sachet de conservation pour produits frais comporte un témoin lumineux qui doit être activé et installé en même temps que le sachet.



- Placer le témoin orienté vers le bas sur une surface ferme et plane.
- Appliquer une pression sur la bulle située à l'arrière du témoin jusqu'à ce que la bulle éclate – ceci active le témoin.
- Ouvrir le couvercle du logement du conservateur pour produits frais.
- Placer le témoin sur le sommet du logement en l'orientant vers l'extérieur.
- Fermer le couvercle en le faisant coulisser et vérifier que le témoin est visible à travers le trou rectangulaire du couvercle.

**REMARQUE :** Le couvercle ne se fermera pas facilement si la bulle arrière du témoin lumineux n'a pas éclaté.

### Remplacer le sachet de conservation pour produits frais

Les sachets jetables doivent être remplacés tous les 6 mois, lorsque le témoin est entièrement passé du blanc au rouge.

Pour commander, consulter les coordonnées indiquées dans le guide de démarrage rapide. Commander le numéro de pièce W10346771A ou FRESH1.

- Retirer les sachets usagés du logement du conservateur pour produits frais.
- Retirer le témoin d'état usagé.
- Installer les sachets et le témoin neufs en suivant les instructions des sections précédentes ou des instructions incluses dans la trousse de remplacement.

# CARACTÉRISTIQUES DU RÉFRIGÉRATEUR

## Commande d'humidité dans le bac à légumes (sur certains modèles)

Le degré d'humidité dans le bac à légumes étanche peut être contrôlé. Selon le modèle, la commande peut être placée à n'importe quel réglage entre Fruit (fruit) et Vegetables (légumes) ou Low (faible) et High (élevé).

### Fruit/bas (ouvert) :

Déplacer le réglage pour laissez échapper l'air humide du bac à légumes pour mieux conserver les fruits et légumes à pelures.

- Fruits : Laver, laisser sécher et garder au réfrigérateur dans un sac en plastique ou dans le bac à légumes. Ne pas laver ni équeuter les baies avant le moment de leur utilisation. Répartir et garder les baies dans leur contenant original dans le bac à légumes ou les conserver sur une tablette du réfrigérateur dans un sac en papier fermé sans être serré.
- Légumes à pelure : Placer dans des sacs ou un contenant en plastique et ranger dans le bac à légumes.

### Légumes/élevé (fermé) :q

Placer le réglage pour permettre de retenir l'humidité à l'intérieur du bac pour mieux conserver les légumes à feuilles frais.

- Légumes à feuilles : Laver à l'eau froide, égoutter et couper ou éliminer les sections endommagées et décolorées. Placer dans un sac ou un contenant en plastique et ranger dans le bac à légumes.

## Distributeur d'eau et de glaçons (sur certains modèles)

Pour des informations supplémentaires sur la façon dont les distributeurs d'eau et de glaçons fonctionnent, consulter le « Guide de distribution » en ligne.

### IMPORTANT :

- Après avoir raccordé le réfrigérateur à une source d'alimentation en eau ou remplacé le filtre à eau, vidanger le circuit d'eau. Utiliser un récipient robuste pour appuyer sur la plaque du distributeur d'eau pendant 5 secondes, puis relâcher pendant 5 secondes. Répéter l'opération jusqu'à ce que l'eau commence à couler. Une fois que l'eau commence à couler, continuer d'appuyer et de relâcher la plaque du distributeur (appui pendant 5 secondes, relâchement pendant 5 secondes) jusqu'à ce qu'un total de 4 gal (15 L) ait été distribué. Ceci évacue l'air du filtre et du système de distribution d'eau et rend le filtre à eau opérationnel. Un amorçage supplémentaire peut s'avérer nécessaire dans certains domiciles. Pendant l'évacuation de l'air du système, de l'eau peut gicler du distributeur.
- Attendre 24 heures pour que le réfrigérateur et l'eau refroidissent. Distribuer une quantité suffisante d'eau chaque semaine pour maintenir un approvisionnement frais.
- Prévoir un délai de 24 heures pour la production du premier lot de glaçons. Jeter les trois premiers lots de glaçons produits.
- Le distributeur distribue de l'eau ou des glaçons.
- Le système de distribution ne fonctionne pas lorsque la porte du réfrigérateur est ouverte.

- Sur certains modèles, l'écran d'affichage sur le tableau de commande du distributeur s'éteint automatiquement et entre au mode « Veille » lorsque les boutons de commande et les plaques du distributeur n'ont pas été utilisés pendant au moins 2 minutes. Le fait d'appuyer une fois sur un bouton de commande alors que l'appareil est au mode « veille » réactive uniquement l'écran d'affichage, sans modifier les réglages. Après réactivation, n'importe quel réglage peut alors être modifié. Si aucune modification n'est apportée dans les 2 minutes qui suivent, l'affichage passe de nouveau au mode « veille ».

### Rinçage du circuit d'eau

De l'air piégé dans le système de distribution d'eau peut faire dégoutter le distributeur d'eau. Après avoir raccordé le réfrigérateur à une source d'alimentation en eau ou remplacé le filtre à eau, vidanger le circuit d'eau.

Le fait de rincer le système de distribution d'eau évacue l'air de la canalisation et du filtre et conditionne le filtre à eau. Un amorçage supplémentaire peut s'avérer nécessaire dans certains domiciles.

**REMARQUE :** Pendant l'évacuation de l'air du système, de l'eau peut gicler du distributeur.

1. Utiliser un récipient robuste pour appuyer sur la plaque du distributeur d'eau pendant 5 secondes.
2. Relâcher la plaque du distributeur pendant 5 secondes. Répéter les étapes 1 et 2, jusqu'à ce que l'eau commence à couler.
3. Une fois que l'eau commence à couler, continuer d'appuyer et de relâcher la plaque du distributeur (appui pendant 5 secondes, relâchement pendant 5 secondes) jusqu'à ce qu'un total de 3 gal (12 L) ait été distribué.

### Distributeur d'eau

#### IMPORTANT :

Distribuer au moins 1 pte (1 L) d'eau chaque semaine pour maintenir un approvisionnement en eau fraîche.

La diminution du débit en provenance du distributeur peut être causée par une faible pression en eau.

- Avec le filtre à eau retiré, verser l'équivalent d'une (1) tasse d'eau (237 mL). Si l'équivalent d'une (1) tasse d'eau est distribué en 8 secondes ou moins, cela signifie que la pression en eau alimentant le réfrigérateur répond au critère minimal.
- S'il faut plus de 8 secondes à la machine pour distribuer l'équivalent d'une tasse (237 mL) d'eau, cela signifie que la pression en eau alimentant le réfrigérateur est inférieure au niveau recommandé. Voir les sections « Spécifications de l'alimentation en eau » et « Dépannage » en ligne pour plus d'informations.

### Nettoyage du goulot du distributeur à glaçons

L'humidité entraîne l'agglomération des glaçons. Des particules de glace peuvent s'accumuler et obstruer le goulot du distributeur à glaçons.

Si on n'a pas besoin de distribuer des glaçons régulièrement, il peut s'avérer nécessaire de vider le bac d'entreposage à glaçons et de nettoyer à la fois le goulot de distribution des glaçons, le bac d'entreposage à glaçons et la zone située sous le bac d'entreposage toutes les 2 semaines.

- Si nécessaire, retirer les glaçons obstruant le bac d'entreposage et le goulot de distribution des glaçons à l'aide d'un ustensile en plastique.
- Nettoyer le goulot de distribution et le fond du bac d'entreposage à l'aide d'un chiffon tiède et humide, puis sécher soigneusement.

# Machine à glaçons et bac d'entreposage

## IMPORTANT :

Afin d'éviter une faible production de glaçons ou des glaçons de mauvaise qualité, vidanger le circuit d'eau avant de mettre en marche la machine à glaçons. Consulter la section « Distributeurs d'eau et de glaçons » pour les détails.

- Prévoir un délai de 24 heures après l'installation pour la production des premiers glaçons. Accorder 2 à 3 jours au bac d'entreposage des glaçons pour qu'il se remplisse.
- Pour les modèles comportant un filtre à eau, après avoir raccordé le réfrigérateur à l'alimentation en eau ou avoir remplacé le filtre à eau, remplir et jeter trois récipients entiers de glaçons afin que le filtre à eau soit prêt pour utilisation.
- La qualité des glaçons dépend de la qualité de l'eau fournie à la machine à glaçons. Éviter de connecter la machine à glaçons à une alimentation en eau adoucie. Les produits chimiques adoucisseurs d'eau (comme le sel) peuvent endommager certaines pièces de la machine à glaçons et entraîner une mauvaise qualité de glaçons. Si l'alimentation en eau adoucie ne peut être évitée, s'assurer que l'adoucisseur d'eau fonctionne bien et qu'il est bien entretenu.
- Si des glaçons sont agglomérés dans le bac d'entreposage, les briser à l'aide d'un ustensile en plastique et les jeter. Ne pas utiliser d'objet pointu pour briser les glaçons. Ceci peut endommager le bac d'entreposage et le mécanisme du distributeur.
- Ne pas entreposer quoi que ce soit sur le dessus de la machine à glaçons ou dans le bac à glaçons.

## Taux de production des glaçons

Prévoir un délai de 24 heures pour la production du premier lot de glaçons. Jeter les trois premiers lots de glaçons produits.

Prévoir un délai de 3 jours pour le remplissage complet du bac d'entreposage. La machine à glaçons devrait produire approximativement 3 lb (1,4 kg) (8 à 12 lots) de glaçons au cours d'une période de 24 heures.

Pour augmenter la production de glaçons, diminuer la température du congélateur et du réfrigérateur, ou consulter la section « Description du panneau de commande » du guide de démarrage rapide pour obtenir des détails. Attendre 24 heures entre les réglages.

## Machine à glaçons dans le congélateur

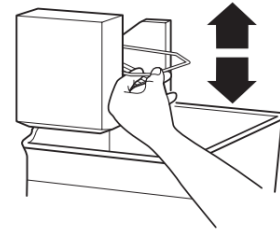
L'ensemble de machine à glaçons peut être ajouté à certains modèles. Consulter la plaque signalétique située à l'intérieur du compartiment pour les aliments de l'appareil pour obtenir les informations concernant le modèle d'ensemble de machine à glaçons. Consulter le Guide de démarrage rapide pour les coordonnées.

### Mise en marche/arrêt de la machine à glaçons :

Pour mettre la machine à glaçons en marche, il suffit d'abaisser le bras de commande métallique.

Pour éteindre manuellement la machine à glaçons, soulever le bras de commande à d'arrêt métallique à la position Off (arrêt/position haute) et attendre l'émission d'un clic.

La machine à glaçons comporte un système d'arrêt automatique. Au fur et à mesure de la production, les glaçons remplissent le bac d'entreposage. Les glaçons soulèvent le bras de commande métallique jusqu'à ce qu'il atteigne la position Off (arrêt/position haute). Ne pas forcer le bras de commande à broche métallique vers le haut ou vers le bas.



**REMARQUE :** Éteindre la machine à glaçons avant de retirer le bac d'entreposage pour servir des glaçons ou pour nettoyer le bac. Ceci empêchera les glaçons de tomber de la machine à glaçons et dans le compartiment de congélation. Après avoir remplacé le bac d'entreposage, mettre en marche la machine à glaçons.

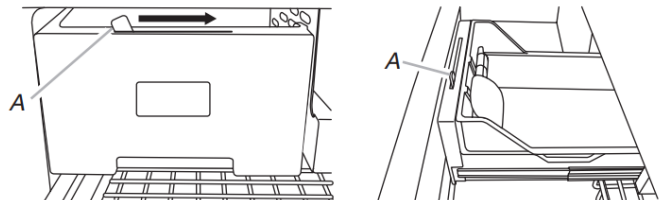
Nettoyer le bac à glaçons au savon doux et à l'eau tiède.

Insérer le bac à glaçons sous la machine à glaçons et le pousser aussi loin que possible.

### Bac à glaçons automatique (sur certains modèles) :

Le bac à glaçons est muni d'un levier qui le permet de glisser avec le tiroir lorsqu'il est ouvert ou de rester en place.

- Déplacer le levier vers la droite pour fixer le bac à glaçons au tiroir du congélateur.
- Déplacer le levier vers la gauche pour libérer le bac à glaçons du tiroir du congélateur.



A. Levier du bac à glaçons

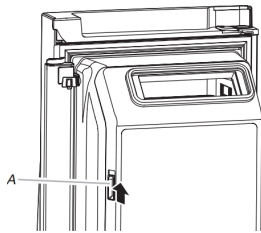
## Machine à glaçons dans le congélateur (sur certains modèles)

### Style 1 – Réinstallation de la porte de gauche du réfrigérateur

La machine à glaçons se trouve sur le côté gauche du plafond du compartiment de réfrigération. Les glaçons sont éjectés dans le bac d'entreposage à glaçons situé sur la porte de gauche du réfrigérateur.

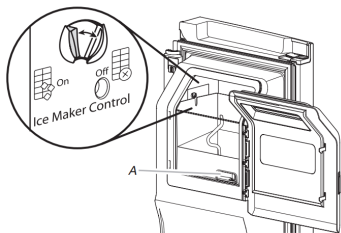
### Mise en marche/arrêt de la machine à glaçons :

1. Pousser le loquet sur le côté gauche du compartiment à glaçons pour ouvrir la porte.



A. Loquet de porte du compartiment à glaçons

2. Mettre en marche la machine à glaçons en tournant le commutateur à la position ON (marche) (vers la gauche).
  - Pour arrêter la machine à glaçons manuellement, placer la commande à la position Off (arrêt) (à droite).
  - La machine à glaçons comporte un système d'arrêt automatique. Le détecteur arrête automatiquement la production de glaçons si le bac d'entreposage est plein, si la porte est ouverte ou si on retire le bac d'entreposage à glaçons. La commande restera en position On (marche) (à gauche).



A. Loquet de déverrouillage du bac d'entreposage à glaçons

3. Fermer la porte du compartiment à glaçons.

### Retrait et réinstallation du bac d'entreposage des glaçons :

- Retirer le bac d'entreposage à glaçons en insérant les doigts dans le trou situé à la base du bac et serrer le loquet pour libérer le bac du compartiment. Soulever le bac d'entreposage à glaçons en le soulevant et en le dégageant en ligne droite.
- Réinstaller le bac d'entreposage dans le compartiment à glaçons et appuyer dessus pour s'assurer qu'il est bien en place.

### Style 2 – Partie supérieure gauche du compartiment de réfrigération

La machine à glaçons et le bac d'entreposage se trouvent dans la partie supérieure gauche du compartiment de réfrigération.

#### Mise en marche/arrêt de la machine à glaçons :

La machine à glaçons comporte un système d'arrêt automatique. Lorsque la machine à glaçons est en marche, les capteurs interrompent automatiquement la production de glaçons lorsque le bac à glaçons est plein. La machine à glaçons reste réglée à On (marche) et la production de glaçons reprend lorsque le bac est vide.

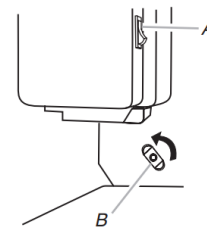
**REMARQUE :** Certains modèles possèdent un commutateur marche/arrêt situé sur le bac d'entreposage de glaçons. Pour mettre en marche la machine à glaçons, appuyer sur le commutateur à la position On (marche). Pour arrêter manuellement la machine à glaçons, appuyer sur le commutateur à la position Off (arrêt).

Pour arrêter manuellement la machine à glaçons, consulter le « Guide de démarrage rapide ».

### Retrait et réinstallation du bac d'entreposage des glaçons :

1. Maintenir la base du bac d'entreposage et appuyer sur le bouton d'éjection situé dans le coin inférieur droit.
2. Tirer sur le bac d'entreposage de glaçons jusqu'à ce qu'on ressente de la résistance. Soulever l'avant du bac d'entreposage à glaçons et le retirer.
3. Mettre le commutateur sur Off (arrêt) (sur certains modèles).

**IMPORTANT :** Pour retirer le bac de rangement des glaçons, il faudra peut-être tourner la vis autobloquante située derrière le bac à glaçons dans le sens antihoraire pour que le bac à glaçons soit correctement aligné avec la vis autobloquante. Le bac à glaçons doit être bien emboîté pour que les glaçons soient correctement distribués.



A. Position On (marche) (sur certains modèles)  
B. Vis autobloquante

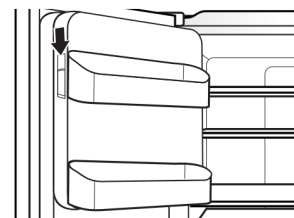
1. Mettre le commutateur sur On (marche) (sur certains modèles).
2. Faire glisser le bac à glaçons dans les glissières situées de chaque côté du logement.
3. Enfoncer le bac à glaçons jusqu'à ce qu'on sente une résistance. Soulever légèrement l'avant et enfoncer le bac à glaçons jusqu'à ce que l'on entende un déclic.

### Style 3 – Porte de gauche, derrière les balconnets du réfrigérateur

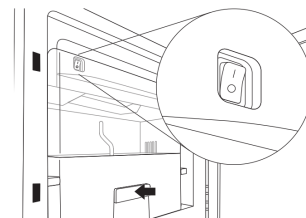
La machine à glaçons est située dans la porte de gauche, derrière les balconnets. Les glaçons sont éjectés dans le bac d'entreposage à glaçons situé sur la porte de gauche du réfrigérateur.

#### Mise en marche/arrêt de la machine à glaçons :

1. Pousser le loquet sur le côté gauche du compartiment à glaçons pour ouvrir la porte.



2. Mettre en marche la machine à glaçons en tournant le commutateur à la position marche (I).



3. Fermer la porte du compartiment à glaçons.

### Retrait et réinstallation du bac d'entreposage des glaçons :

- Retirer le bac d'entreposage à glaçons en insérant les doigts dans le trou situé à la base du bac et serrer le loquet pour libérer le bac du compartiment. Soulever le bac d'entreposage à glaçons en le soulevant et en le dégageant en ligne droite.
- Réinstaller le bac d'entreposage dans le compartiment à glaçons et appuyer dessus pour s'assurer qu'il est bien en place.

## Système de filtration de l'eau

Ne pas utiliser ce produit pour filtrer une eau microbiologiquement polluée ou de qualité inconnue en l'absence d'un dispositif de désinfection adéquat en amont ou en aval du système. Les systèmes certifiés pour la réduction des kystes peuvent être utilisés pour une eau désinfectée susceptible de contenir des kystes filtrables.

**IMPORTANT :** Le filtre à eau jetable doit être remplacé au moins tous les 6 mois. Si le débit d'eau au distributeur d'eau ou à la machine à glaçons diminue de façon marquée avant que 6 mois ne se soient écoulés, remplacer le filtre à eau plus souvent.

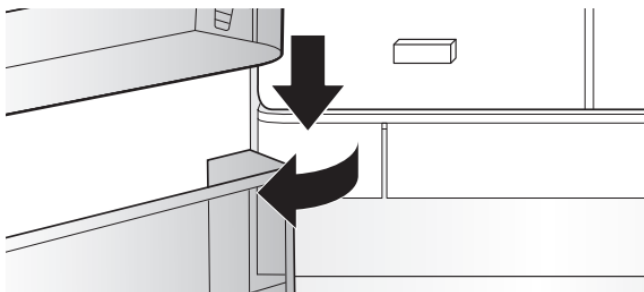
### Installation du filtre à eau

Pour commander un filtre de remplacement, communiquer avec nous au [www.whirlpool.com/Parts & Accessories](http://www.whirlpool.com/Parts & Accessories). Consulter le « Guide de démarrage rapide » pour les détails.

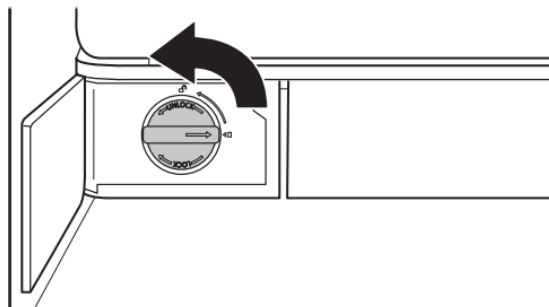
**REMARQUE :** Si le filtre n'est pas installé correctement, le débit d'eau sera plus faible et la production de glaçons plus lente. La mauvaise installation d'un filtre peut aussi laisser fuir le compartiment du filtre.

#### Style 1 – À gauche en bas du réfrigérateur

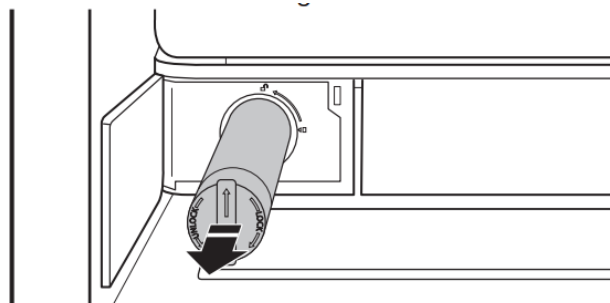
1. Pousser sur la porte du filtre à eau située dans le coin inférieur gauche du réfrigérateur pour l'ouvrir.



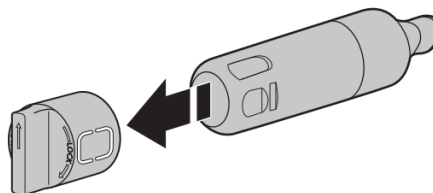
2. Pivoter le filtre à eau et tourner de 90 degrés dans le sens antihoraire pour le déverrouiller.



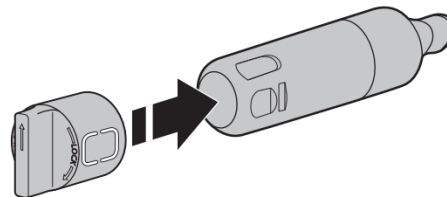
3. Retirer le filtre du compartiment.



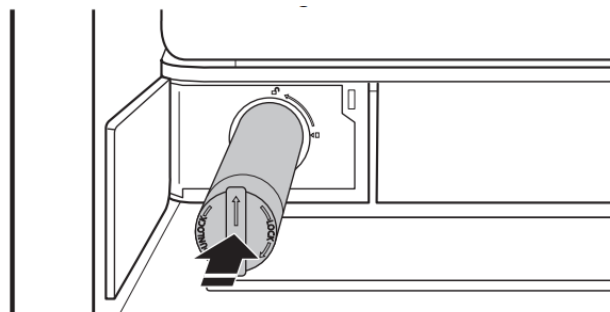
4. Retirer le capuchon du filtre à eau.



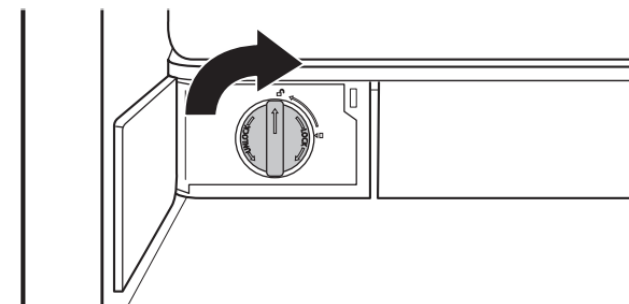
5. Installer le capuchon de filtre à eau sur le nouveau filtre. Aligner correctement les flèches pour que les rainures du filtre soient alignées avec les nervures du capuchon.



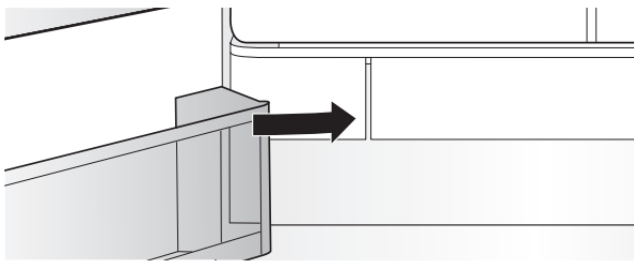
6. Placer le filtre dans le compartiment.



7. Pivoter le filtre à eau et tourner de 90 degrés dans le sens horaire pour le verrouiller en place et aligner les flèches.

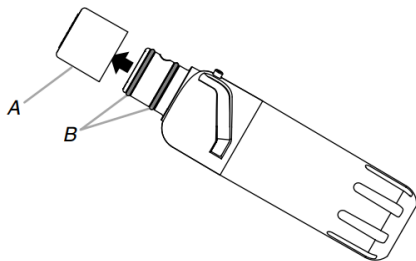


- Refermer la porte du filtre à eau.



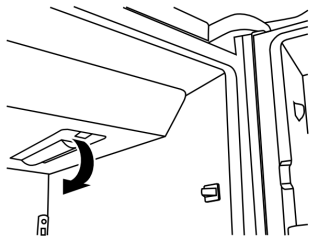
### Style 2 – Côté droit au plafond du réfrigérateur

- Identifier le sachet d'accessoires à l'intérieur du réfrigérateur et retirer le filtre à eau.
- Retirer le filtre neuf de son emballage, puis retirer les protections des anneaux d'étanchéité. S'assurer que les joints toriques sont toujours en place une fois les protections retirées.



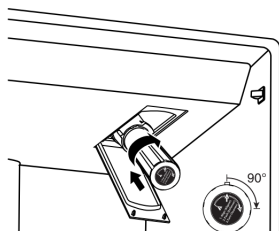
A. Protection de joint torique  
B. Joints toriques

- Le compartiment du filtre à eau se trouve du côté droit du plafond du réfrigérateur. Pousser la porte du compartiment vers le haut pour dégager le loquet puis abaisser la porte.



- Aligner l'arête sur l'étiquette du filtre à eau avec l'encoche du logement du filtre et insérer le filtre dans le logement.
- Tourner le filtre de 90 degrés (1/4 de tour) dans le sens horaire jusqu'à ce qu'il s'emboîte dans le logement.

**REMARQUE :** Si le filtre n'est pas bien emboîté dans le logement, le distributeur d'eau ne fonctionnera pas. L'eau ne coulera pas du distributeur.

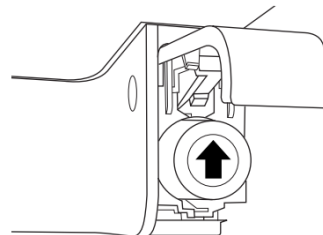


- Tout en gardant le clapet du compartiment ouvert, soulever le filtre pour l'insérer dans le compartiment. Ensuite, fermer complètement le clapet du compartiment du filtre.

- Rincer le système de distribution d'eau. Consulter la section « Distributeurs d'eau et de glaçons » pour les détails.

**IMPORTANT :** Si on ne rince pas le circuit d'eau, on remarquera peut-être que le distributeur d'eau dégoutte ou une réduction du débit.

### Style 3 – Coin supérieur droit du plafond du réfrigérateur



- Repérer le filtre à eau situé dans le coin supérieur droit du compartiment de réfrigération.
  - Ouvrir la porte du couvercle du filtre en la soulevant. Le filtre est libéré, puis éjecté lors de l'ouverture de la porte.
  - Une fois la porte complètement ouverte, retirer le filtre en le tirant en ligne droite.
- REMARQUE :** Il y aura peut-être de l'eau dans le filtre. Il est possible qu'il y ait un dégât d'eau. Utiliser une serviette pour essuyer tout renversement.
- Retirer le filtre neuf de son emballage, puis retirer les protections des anneaux d'étanchéité. S'assurer que les joints toriques sont toujours en place une fois que les bouchons sont retirés.
  - Avec la flèche orientée vers le haut, aligner le filtre neuf avec le logement du filtre et le faire glisser pour le mettre en place. La porte du couvercle du filtre entame un mouvement automatique de fermeture à mesure qu'on insère le filtre neuf.
  - Fermer complètement le couvercle du filtre pour emboîter le filtre et le mettre en place. Il faudra peut-être appuyer fortement.
  - Rincer le système de distribution d'eau. Consulter la section « Distributeurs d'eau et de glaçons » pour les détails.

### Remplacer le filtre à eau

Pour acheter un filtre à eau de rechange, utiliser les numéros de modèles UKF8001AXX-200 ou UKF8001AXX-750, communiquer avec le fournisseur ou composer le **1 800 422-9991** aux É.-U. ou le **1 800 807-6777** au Canada.

**IMPORTANT :** De l'air piégé dans le système d'alimentation en eau peut entraîner l'éjection de l'eau et du filtre. Toujours faire couler l'eau pendant au moins 2 minutes avant de retirer le filtre ou le bouchon de dérivation bleu.

- Au besoin, pousser le couvercle du filtre à eau vers le haut pour accéder au filtre.
- Tourner le filtre dans le sens antihoraire et tirer en ligne droite pour le dégager.

**REMARQUE :** Il y aura peut-être de l'eau dans le filtre. Il est possible qu'il y ait un dégât d'eau. Utiliser une serviette pour essuyer tout renversement.

- Retirer l'étiquette de scellement du filtre de rechange et insérer l'extrémité du filtre dans la tête du filtre.
- Faire pivoter le filtre dans le sens horaire jusqu'à la butée d'arrêt. Fermer le couvercle du filtre en l'emboîtant.
- Rincer le système de distribution d'eau. Consulter la section « Distributeurs d'eau et de glaçons » pour les détails.

**REMARQUE :** La fonction du distributeur peut être utilisée sans qu'un filtre à eau soit installé. L'eau ne sera pas filtrée. Si on choisit cette option, remettre le filtre en place avec le bouchon de dérivation bleu.



## Réinitialisation du statut du filtre à eau

Après avoir remplacé le filtre à eau, appuyer sur Reset Filter ou Filter Reset (réinitialisation du filtre) (selon le modèle) pendant 3 secondes. Les témoins Order (commander) et Replace (remplacer) clignotent puis s'éteignent lorsque le système est réinitialisé. Sur certains modèles, le témoin lumineux passe au bleu lorsque le système est réinitialisé. Consulter le « Guide de démarrage rapide » pour obtenir plus d'informations.

### Sur les modèles avec boutons options et Measured Fill (remplissage mesuré) situé sur le panneau de commande :

Après avoir changé le filtre à eau, régler de nouveau le témoin lumineux de l'état du filtre à eau. Appuyer sur le bouton Options pour accéder au mode Options puis appuyer sur Lock (verrouillage) pour réinitialiser le témoin, puis appuyer sur Measured Fill (remplissage mesuré) pour confirmer qu'on souhaite réinitialiser le témoin. Une fois le système réinitialisé, les icônes « Order » (commander) et « Replace » (remplacer) disparaissent de l'écran d'affichage.

### Sur les modèles avec bouton de filtre à eau situé sur le panneau de commande :

Après avoir changé le filtre à eau, régler de nouveau le témoin de l'état du filtre à eau. Maintenir enfoncé le bouton Water Filter (filtre à eau) pendant 3 secondes. Lorsque l'on réinitialise le système, l'icône du filtre à eau redevient BLEUE et les mots « Replace Filter » (remplacer le filtre) disparaissent de l'affichage.

# INSTRUCTIONS POUR LA PORTE ET LA POIGNÉE

## Porte et tiroirs

En fonction de la largeur de l'ouverture de la porte, il faudra peut-être retirer les portes pour pouvoir introduire le réfrigérateur dans le domicile. Les charnières de portes ont été installées à l'usine sur le côté droit de l'appareil. Si l'on souhaite que la porte puisse s'ouvrir depuis le côté opposé, le sens d'ouverture de la porte doit être inversé.

### IMPORTANT :

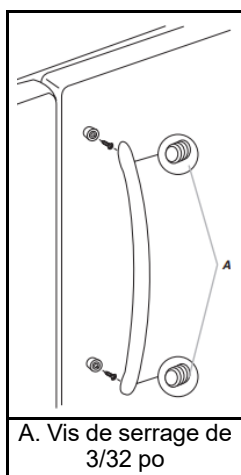
- Si le réfrigérateur était déjà installé et que vous souhaitez le déplacer hors de votre domicile, effectuez d'abord les opérations suivantes : tourner la commande du réfrigérateur sur Off (arrêt) et débrancher le réfrigérateur ou déconnecter la source de courant électrique. Retirer les aliments et tous les balconnets de la porte du réfrigérateur.
- Laisser les portes du réfrigérateur fermées jusqu'au moment de les détacher de la caisse. Prévoir un support supplémentaire pour la porte du réfrigérateur pendant le retrait des charnières. La force d'attraction des aimants de la porte ne suffit pas à la maintenir en place pendant la manutention.

**Outils requis :** Clé à douille à tête hexagonale de 5/16 po, 3/8 po et 1/4 po, un tournevis Torx T25, un tournevis cruciforme no 2 et un tournevis à lame plate.

## Pour enlever et réinstaller les poignées

### POIGNÉES DE PORTE DU RÉFRIGÉRATEUR

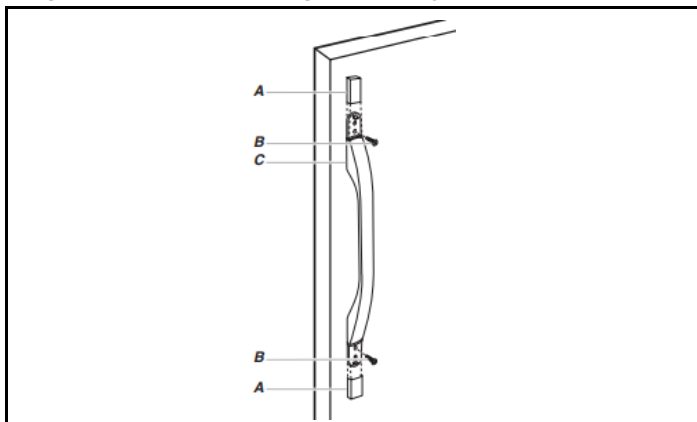
#### Poignées de porte du réfrigérateur (style 1)



A. Vis de serrage de 3/32 po

- Desserrer les deux vis de blocage situées sur le côté de chaque poignée à l'aide d'une clé hexagonale de 3/32 po ou 1/8 po. Tirer sur la poignée tout droit pour l'extraire du tiroir. Veiller à conserver les vis pour la réinstallation des poignées.
- Pour remettre les poignées en place, inversion les directions.

### Poignées de porte du réfrigérateur (style 2)



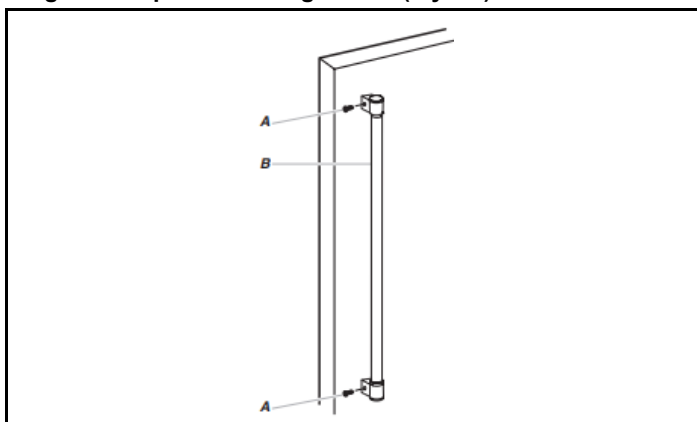
A. Garniture de poignée

C. Poignée de porte du réfrigérateur

B. Vis à tête plate de poignée

- Enlever le couvre-vis.
- Enlever la poignée de porte. Conserver toutes les pièces ensemble.
- Pour remettre les poignées en place, inversion les directions.

### Poignées de porte du réfrigérateur (style 3)

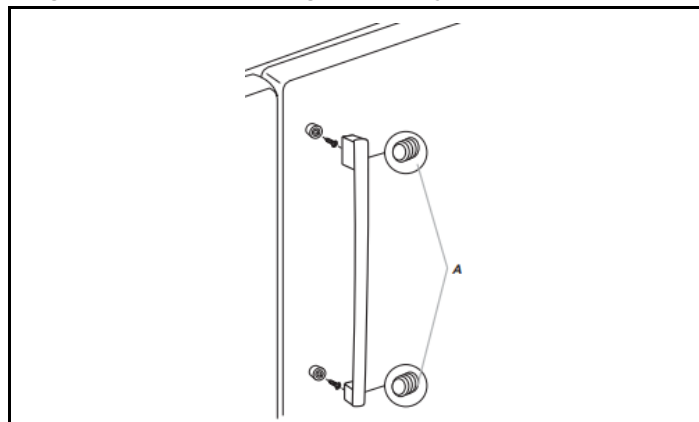


A. Vis à tête plate de poignée

B. Poignée de porte du réfrigérateur

- Desserrer les deux vis de blocage situées sur le côté de chaque poignée à l'aide d'une clé hexagonale de 3/32 po ou 1/8 po. Tirer sur la poignée tout droit pour l'extraire du tiroir. Veiller à conserver les vis pour la réinstallation des poignées.
- Pour remettre les poignées en place, inversion les directions.

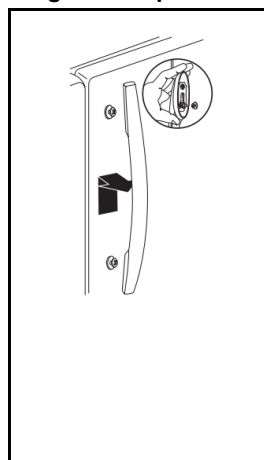
### Poignées de porte du réfrigérateur (style 4)



A. Vis de serrage de 3/32 po ou 1/8 po

- Pour retirer la poignée, enlever la vis qui fixe la garniture à l'extrémité supérieure de la poignée. À l'aide d'un tournevis à tête plate enveloppée dans du ruban masqué, soulever la pièce de garniture de l'extrémité inférieure de la poignée. Enlever ensuite les vis retenant la poignée à la porte.
- Pour remettre les poignées en place, inversion les directions.

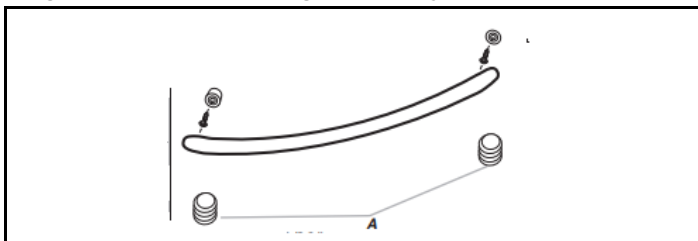
### Poignées de porte du réfrigérateur (style 5)



- Pour retirer la poignée, saisir fermement la partie inférieure de la poignée, faire glisser la poignée vers le haut puis la retirer en la dégageant de la porte en ligne droite.
- Pour réinstaller la poignée, la positionner de façon à ce que les gros trous des agrafes de montage soient orientés vers le bas puis aligner les trous avec les goujons de porte. Faire pivoter la poignée de façon à ce que les agrafes de montage reposent à plat contre la porte et faire glisser la poignée vers le bas pour l'insérer.

## POIGNÉES DE LA PORTE DU CONGÉLATEUR

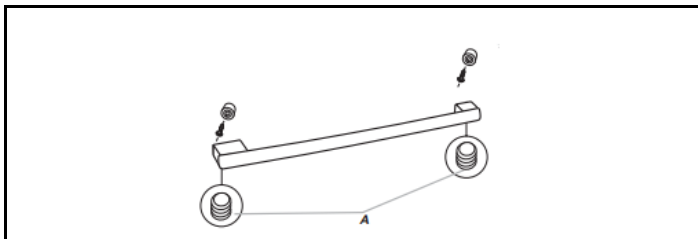
### Poignées de porte du réfrigérateur (style 1)



A. Vis de serrage de 3/32 po

- Desserrer les deux vis de blocage situées sur le côté de chaque poignée à l'aide d'une clé hexagonale de 3/32 po ou 1/8 po. Tirer sur la poignée tout droit pour l'extraire du tiroir. Veiller à conserver les vis pour la réinstallation des poignées.
- Pour remettre les poignées en place, inversion les directions.

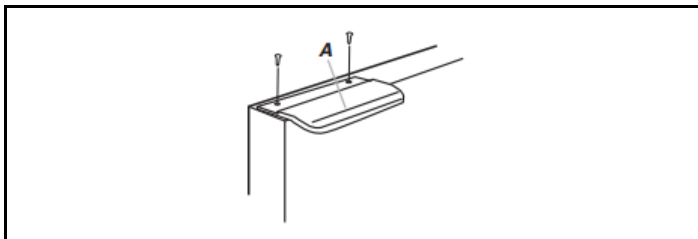
### Poignées de porte du réfrigérateur (style 2)



A. Vis de serrage de 3/32 po ou 1/8 po

- Desserrer les deux vis de blocage situées sur le côté de chaque poignée à l'aide d'une clé hexagonale de 3/32 po ou 1/8 po. Tirer sur la poignée tout droit pour l'extraire du tiroir. Veiller à conserver les vis pour la réinstallation des poignées.
- Pour remettre les poignées en place, inversion les directions.

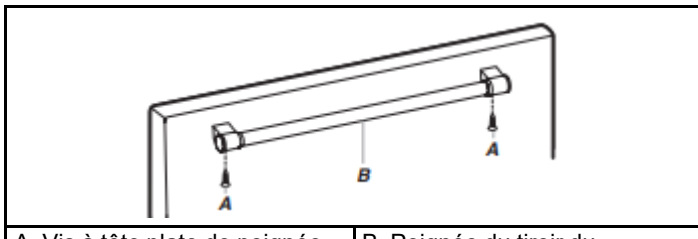
### Poignées de porte du réfrigérateur (style 3)



A. Vis à tête plate de poignée

- Retirer les vis et la poignée.
- Pour remettre les poignées en place, inversion les directions.

### Poignées de porte du réfrigérateur (style 4)

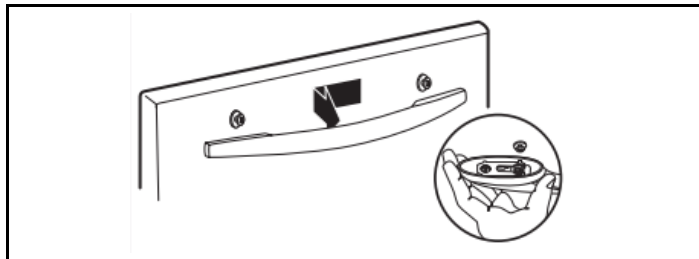


A. Vis à tête plate de poignée

B. Poignée du tiroir du congélateur

- Retirer les vis et la poignée.
- Pour remettre les poignées en place, inversion les directions.

### Poignées de porte du réfrigérateur (style 5)



- Pour retirer la poignée, saisir fermement la partie inférieure de la poignée, faire glisser la poignée vers le haut puis la retirer en la dégageant de la porte en ligne droite.
- Pour réinstaller la poignée, la positionner de façon à ce que les gros trous des agrafes de montage soient orientés vers le bas puis aligner les trous avec les goujons de porte. Faire pivoter la poignée de façon à ce que les agrafes de montage reposent à plat contre la porte et faire glisser la poignée vers le bas pour l'insérer.

## Démontage des portes et charnières du réfrigérateur

### ⚠ AVERTISSEMENT



#### Risque de décharge électrique

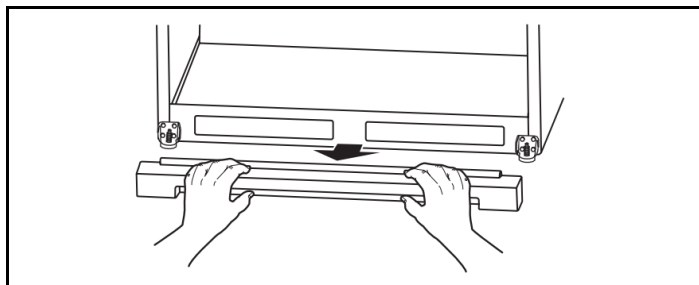
Déconnecter la source de courant électrique avant d'enlever les portes.

Le non-respect de cette instruction peut causer un décès ou une décharge électrique.

1. Débrancher le réfrigérateur ou déconnecter la source de courant électrique.
2. Enlever la grille de la base.

### GRILLE DE LA BASE

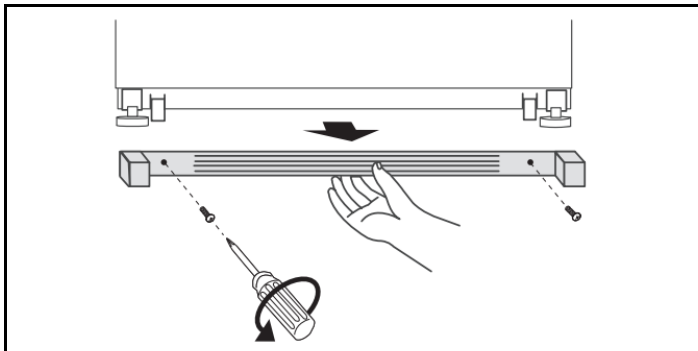
#### Style 1



- Saisir la grille fermement et la tirer vers soi en utilisant les deux mains. Ouvrir le tiroir du congélateur pour accéder aux pieds de stabilisation.

**REMARQUE :** Pour permettre au réfrigérateur de rouler plus facilement, soulever les pieds de stabilisation en les tournant dans le sens antihoraire. Les roulettes avant toucheront le plancher.

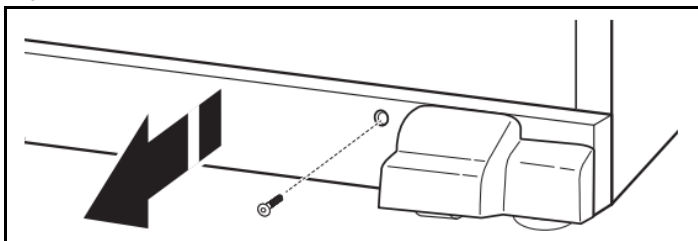
## Style 2



- Retirer les deux vis fixant la grille de la base de l'appareil, et mettre les vis de côté.
- Saisir la grille et la tirer vers soi.

**REMARQUE :** Pour permettre au réfrigérateur de rouler plus facilement, soulever les pieds de stabilisation en les tournant dans le sens antihoraire. Les roulettes avant toucheront le plancher.

## Style 3

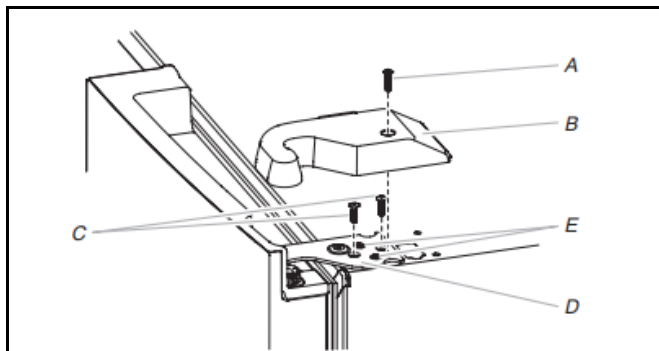


- Utiliser une tourne-écrou hexagonal de 1/4 po pour retirer les deux vis de la base de la grille.
- Saisir la grille fermement et la tirer vers soi en utilisant les deux mains. Ouvrir le tiroir du congélateur pour accéder aux pieds de stabilisation.

**REMARQUE :** Pour permettre au réfrigérateur de rouler plus facilement, soulever les pieds de stabilisation en les tournant dans le sens antihoraire. Les roulettes avant toucheront le plancher.

### Retrait de la porte de droite du réfrigérateur

3. En commençant par la porte du côté droit, ôter les pièces de la charnière supérieure – voir l'illustration des charnières supérieures.



A. Vis du couvre-charnière supérieur	D. Charnière supérieure
B. Couvre-charnière supérieur	E. Vis de positionnement supérieur
C. Vis internes à tête hexagonale de 3/16 po	

**REMARQUE :** Ne pas retirer les deux vis de positionnement. Ces vis vous aideront à aligner la charnière lors de la réinstallation de la porte.

## ⚠ AVERTISSEMENT

### Risque de poids excessif

Utiliser deux ou plus de personnes pour soulever la porte de l'appareil.

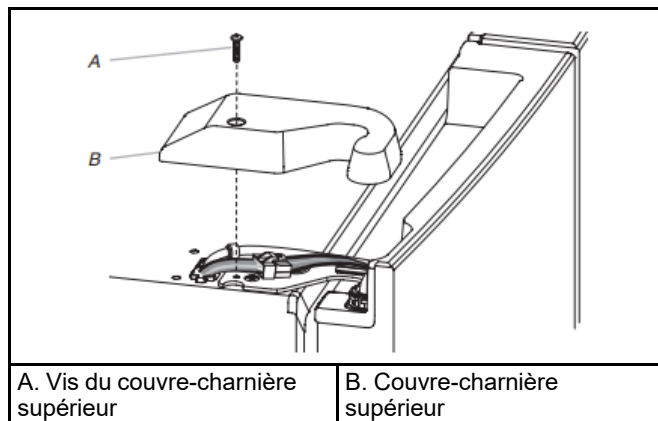
Le non-respect de cette instruction peut causer une blessure au dos ou d'autres blessures.

4. Soulever la porte du réfrigérateur de l'axe de la charnière inférieure. La charnière supérieure se dégage en même temps que la porte.

### Retrait de la porte de gauche du réfrigérateur

**IMPORTANT :** Sur les modèles avec distributeur d'eau, étant donné que le raccordement de l'eau et le câblage électrique passent par la charnière de la porte de gauche, ils doivent être déconnectés avant de retirer la porte.

1. Retirer le couvercle de la charnière supérieure comme illustré ci-dessous.



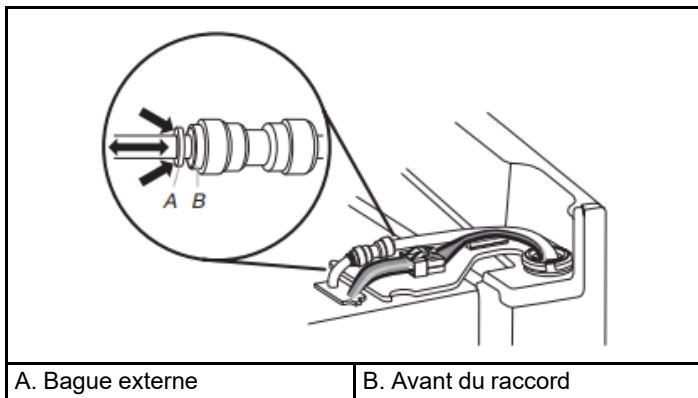
A. Vis du couvre-charnière supérieur

B. Couvre-charnière supérieur

2. Débrancher le tube du distributeur d'eau situé sur la charnière de la porte (si nécessaire).

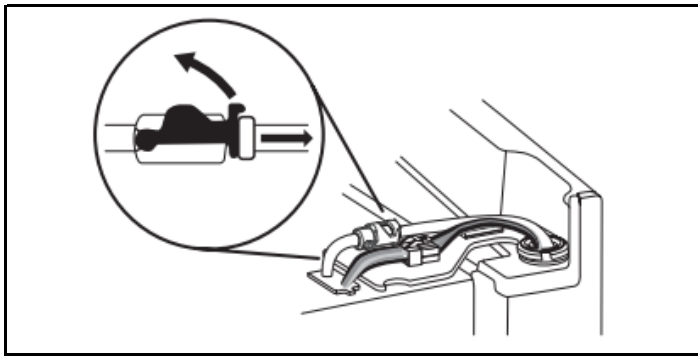
**Raccord de tuyau d'eau (style 1) :** Presser l'anneau extérieur coloré contre l'avant du raccord et tirer doucement sur le tuyau du distributeur pour le libérer comme illustré ci-dessous.

**REMARQUE :** Le tuyau du distributeur d'eau reste fixé à la porte de gauche du réfrigérateur.

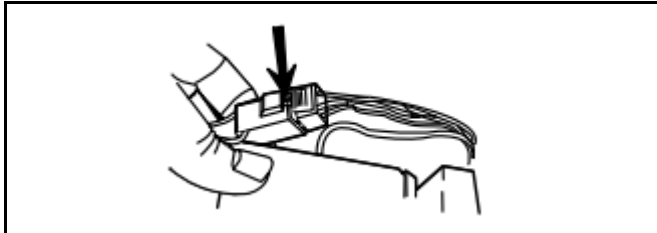


A. Bague externe

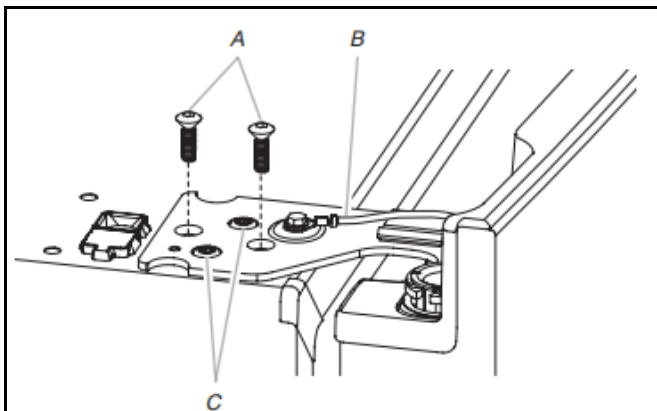
B. Avant du raccord



3. Avant de retirer la porte du côté gauche, déconnecter la prise de câbles située sur la partie supérieure de la charnière supérieure en coinçant un tournevis à tête plate ou un angle entre les deux sections.



**REMARQUE :** Ne pas retirer le conducteur vert relié à la terre. Il doit rester fixé à la charnière de porte.



A. Tête hexagonale de 3/4 po internet ou TORX T25      C. Vis de positionnement (ne pas retirer)

B. Conducteur de liaison à la terre (ne pas retirer)

4. Soulever la porte du réfrigérateur de l'axe de la charnière inférieure. La charnière supérieure se dégage en même temps que la porte.

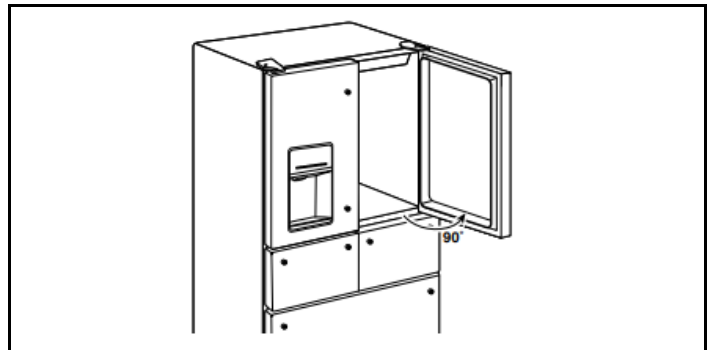
**REMARQUE :** Il ne sera peut-être pas nécessaire d'enlever les charnières inférieures et les pieds de stabilisation pour faire passer le réfrigérateur dans un cadre de porte.

- Uniquement si cela s'avère nécessaire, et selon le modèle, retirer les charnières inférieures à l'aide d'un tourne-écrou avec une pointe carrée no 2 ou un tournevis TORX T25 et un tourne-écrou de 3/8 po ou un tournevis TORX T25 pour retirer les vis des pieds de stabilisation.

## Réinitialiser la charnière inférieure du réfrigérateur

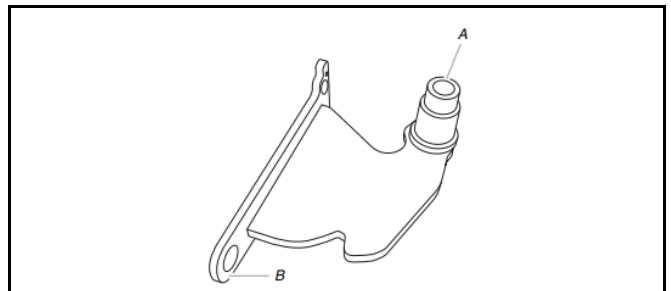
Pour plus de commodité, les portes du réfrigérateur comportent des charnières inférieures avec ferme-porte. Ces ferme-porte permettent aux portes de se fermer complètement d'un simple toucher.

**IMPORTANT :** Pour que la fonction de ferme-porte fonctionne correctement, les portes doivent être retirées uniquement lorsqu'elles sont ouvertes à un angle de 90° par rapport à la partie avant de l'armoire. Si l'une ou l'autre des portes n'était pas à un angle de 90° lors du retrait, la charnière de porte inférieure doit être réinitialisée.



### RÉINITIALISATION DE LA CHARNIÈRE

1. Soulever la porte hors de la charnière inférieure et la placer sur une surface de niveau.
2. À l'aide d'un tourne-écrou avec une pointe carrée no 2, retirer la charnière inférieure avec le coussinet hors de la caisse du réfrigérateur.

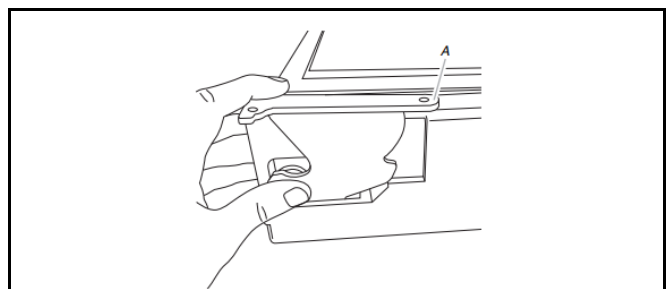


A. Bague

B. Base de la charnière

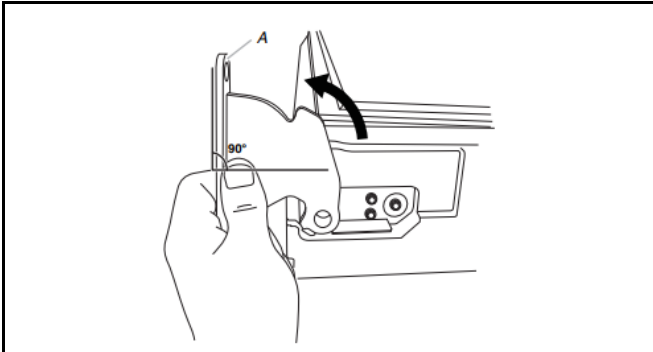
3. Insérer la charnière inférieure et le coussinet dans la fente correspondante dans le bas de la porte.

**REMARQUE :** S'assurer que la base de la charnière est parallèle au bas de la porte.



A. Base de la charnière parallèle au rebord inférieur de la porte

4. Tourner la charnière jusqu'à ce que la base de cette dernière soit à un angle de 90° par rapport au rebord inférieur de la porte.



A. Base de la charnière tournée à 90° par rapport au rebord inférieur de la porte

5. Retirer la charnière de la porte. Fixer de nouveau la charnière inférieure au réfrigérateur.
6. La charnière est maintenant repositionnée et prête pour la réinstallation de la porte.

## Réinstallation des portes et charnières

### Réinstallation de la porte de droite du réfrigérateur

1. Placer la porte de droite sur l'axe de charnière inférieure.
2. Insérer l'axe de charnière supérieure dans le trou béant du sommet de la porte du réfrigérateur.
3. Fixer la charnière à la caisse. Ne pas serrer complètement les vis.

### Réinstallation de la porte de gauche du réfrigérateur

**IMPORTANT:** Ne pas emmêler le tuyau d'eau et les faisceaux de câblage en les reconnectant

1. Placer la porte de gauche sur l'axe de charnière inférieure.
2. Fixer la charnière à la caisse. Ne pas serrer complètement les vis.
3. Au besoin, raccorder le tuyau du distributeur d'eau.

**Style 1** – Enfoncer le tuyau dans le raccord jusqu'à la butée et jusqu'à ce que l'anneau externe soit en contact avec l'avant du raccord.

**Style 2** – Enfoncer fermement le tuyau d'eau dans le raccord jusqu'à ce qu'il s'arrête. Fixer l'attache autour du tube. L'attache se fixe autour du raccord et du collier.

4. Rebrancher le câblage.
  - Remboîter les deux sections de la fiche de câblage.

### Étapes finales

1. Serrer complètement les vis internes
2. Réinstaller les deux couvre-charnière supérieurs.

## Retrait et réinstallation du tiroir de congélation

En fonction de la largeur de l'ouverture de la porte, il faudra peut-être retirer les devants de tiroirs pour pouvoir introduire le réfrigérateur dans le domicile.

### RETRAIT DE LA FAÇADE DU TIROIR

#### IMPORTANT :

- Si le réfrigérateur était déjà installé et que vous souhaitez le déplacer hors de votre domicile, effectuez d'abord les opérations suivantes : tourner la commande du réfrigérateur sur Off (arrêt) et débrancher le réfrigérateur ou déconnecter la source de courant électrique. Retirer les aliments et tous les balconnets de la porte du réfrigérateur.
- Il faudra peut-être deux personnes pour déplacer et réinstaller le tiroir de congélation. Les illustrations sont incluses plus loin dans cette section.

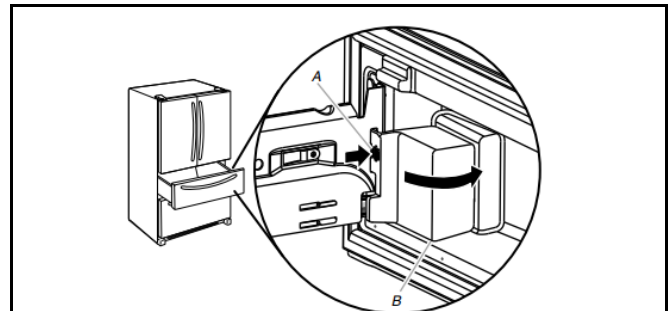
**Outils requis :** Tourne-écrou à tête hexagonale de 1/4 po, tournevis plat

### Débrancher les fils (au besoin)

#### REMARQUE S :

- L'avant extérieur du tiroir réfrigéré est raccordé à la commande de température, sur certains modèles. Avant de retirer la façade du tiroir, les fils doivent être débranchés de la commande de température.
- Le câble gris visible depuis l'arrière et le dessous du garde-manger (du côté droit) contient le câblage de la commande du garde-manger et se déplace en même temps que le garde-manger lorsqu'on retire celui-ci. Il n'est pas nécessaire de déconnecter ce câble.

1. Ouvrir complètement le tiroir et enlever le bac intérieur.
2. Tiroir de gauche seulement : Retirer le couvercle de protection du câblage. Appuyer sur le côté du couvercle pour dégager la patte de la fente, puis éloigner le couvercle du support.



A. Patte du couvercle

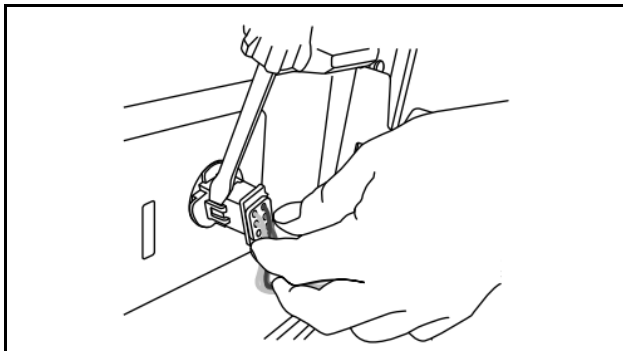
B. Couvercle de protection du câblage



3. Tiroir de gauche seulement : débrancher le câblage.

**REMARQUE :**

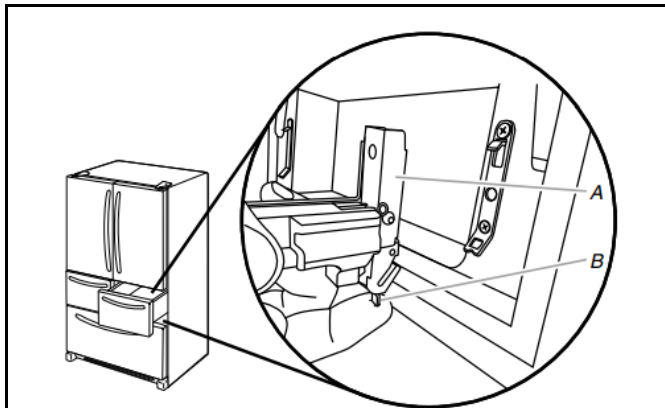
- D'un côté du connecteur du câblage, insérer la lame du tournevis entre l'onglet du connecteur et le connecteur lui-même pour dégager le connecteur. Répéter l'opération de l'autre côté. Retirer le connecteur de câblage.



4. Retirer la façade du tiroir.

**Style 1 : Levier de dégagement inférieur**

- Pousser vers le haut le levier dans le bas du support de la glissière du tiroir pour dégager la façade du tiroir du support.
- Soulever l'avant du tiroir vers le haut et le dégager des supports de glissières de tiroir.



A. Support de la glissière du tiroir

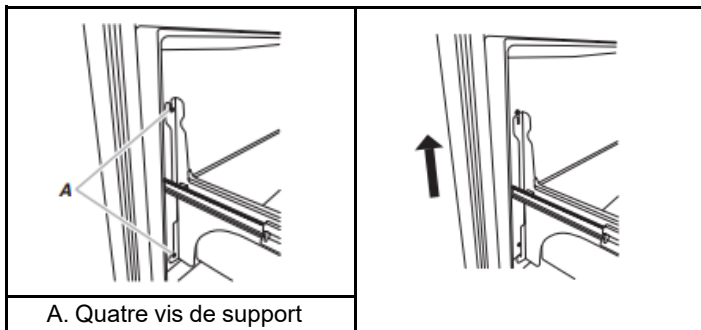
B. Levier de dégagement tiroir

**Style 2 : Vis du bas**

- Desserrer les deux vis supérieures fixant les supports de glissières de tiroir à l'avant du tiroir.

**REMARQUE :** Dévisser les vis de trois ou quatre tours. Garder les vis dans l'avant du tiroir.

- Retirer les deux vis du bas fixant la glissière du tiroir.
- Soulever l'avant du tiroir vers le haut pour le dégager des vis supérieures.



A. Quatre vis de support

5. Réinsérer les glissières de tiroir dans le réfrigérateur.

**RÉINSTALLATION DE LA FAÇADE DU TIROIR**

1. Tirer complètement les glissières du tiroir.

**2. Style 1 : Levier de dégagement inférieur**

- Pousser vers le haut le levier dans le bas du support de la glissière du tiroir pour l'ouvrir. Insérer le support de la façade du tiroir dans le support de la glissière du tiroir et relâcher le levier.

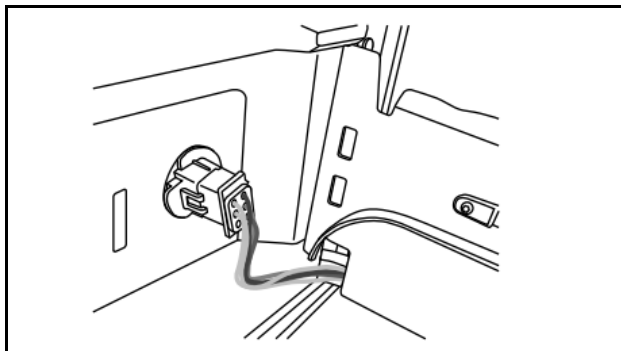
**Style 2 : Vis du bas**

- Abaisser les vis desserrées pour les placer dans le sommet de l'avant de la porte, dans les encoches supérieures de la glissière de tiroir.
- Aligner les trous du bas des glissières du tiroir.
- Remettre en place les deux vis enlevées précédemment et serrer les quatre vis.

**REMARQUE :** Pour faciliter l'opération, une personne peut maintenir les glissières de tiroir en place pendant qu'une autre aligne la façade du tiroir et insère les vis dans les encoches.

**3. Rebrancher les fils (au besoin)**

- Aligner les deux extrémités du connecteur de câblage et les enfoncer ensemble jusqu'à ce qu'un déclic retentisse et que l'on sente les onglets s'emboîter sur le connecteur.



- Tirer délicatement sur les conducteurs pour vérifier qu'ils sont parfaitement engagés. Réinstaller le couvercle du boîtier de connexion.

**REMARQUE :** Le raccordement du câblage doit avoir été exécuté pour que la commande de température du tiroir puisse fonctionner.

4. Remplacer le compartiment du tiroir sur les glissières.

**Retrait et réinstallation de l'avant du tiroir de congélation**

En fonction de la largeur de l'ouverture de la porte, il faudra peut-être retirer la façade du tiroir du congélateur pour pouvoir introduire le réfrigérateur dans le domicile.

**IMPORTANT:**

- Si le réfrigérateur était déjà installé et que vous souhaitez le déplacer hors de votre domicile, effectuez d'abord les opérations suivantes : tourner la commande du réfrigérateur sur Off (arrêt) et débrancher le réfrigérateur ou déconnecter la source de courant électrique. Retirer les aliments et tous les balconnets de la porte du réfrigérateur.
- Il faudra peut-être deux personnes pour déplacer et réinstaller le tiroir de congélation

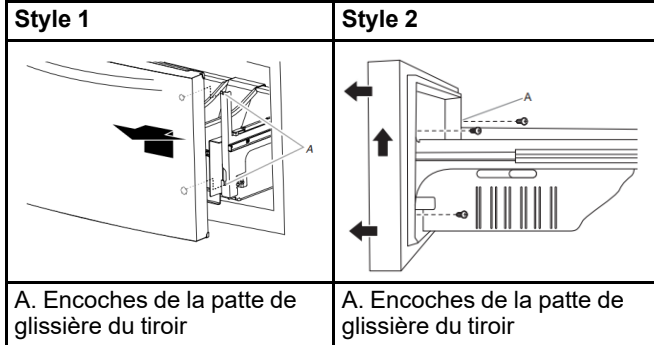
**Outils requis :** Tourne-écrou de 1/4 po

**RETRAIT DU TIROIR**

**Style avant 1 et 2**

1. Ouvrir complètement le tiroir de congélation.
2. Desserrer les deux vis situées au sommet de l'intérieur du tiroir (une à gauche et une à droite) qui fixent l'avant du tiroir aux glissières de tiroir, comme illustré ci-dessous.

- Retirer les deux vis situées au bas, à l'intérieur de l'avant du tiroir qui maintient l'avant du tiroir aux glissières du tiroir, comme illustré ci-dessous.
- Soulever la façade du tiroir pour dégager les pitons en plastique des encoches de la patte de glissière du tiroir, comme illustré ci-dessous.

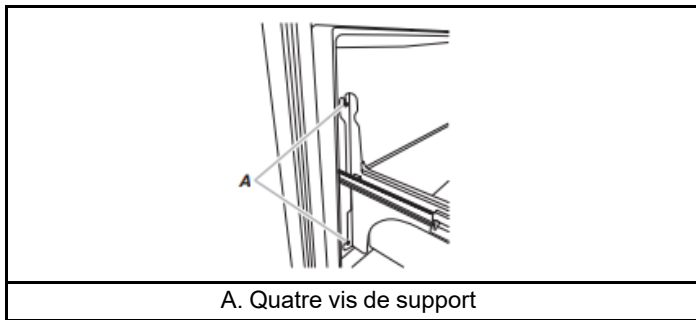


- Réinsérer les glissières dans le congélateur.

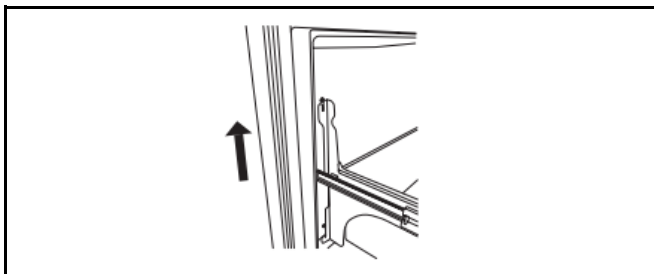
### Style avant 3

- Ouvrir le tiroir du congélateur complètement.
- Desserrer les quatre vis fixant les glissières du panier à l'avant du tiroir comme illustré ci-dessous.

**REMARQUE :** Dévisser les vis de trois ou quatre tours. Garder les vis dans l'avant du tiroir.



- Soulever l'avant du tiroir et le dégager des vis.

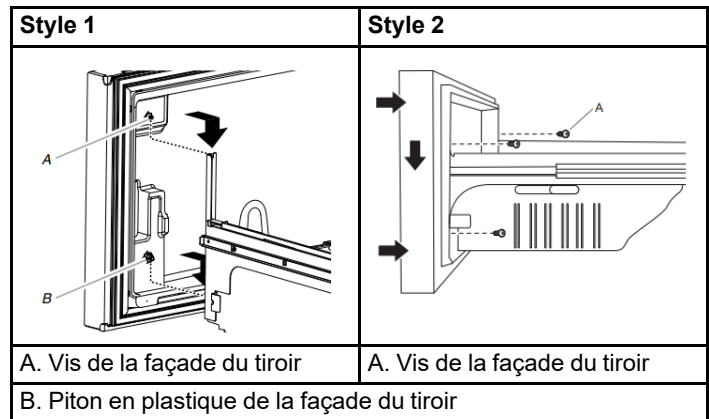


### RÉINSTALLER LE TIROIR

#### Style avant 1 et 2

- Déployer complètement les glissières de tiroir du congélateur.
- Tout en saisissant la façade du tiroir par les côtés, aligner les deux pitons en plastique (situés à l'intérieur de la façade du tiroir, en bas) avec les encoches des supports de glissières de tiroir.

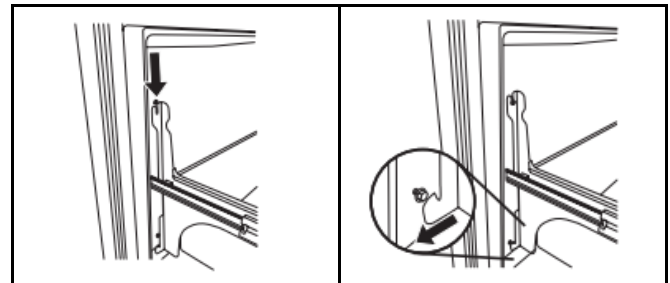
**REMARQUE :** Pour faciliter l'opération, une personne peut maintenir les glissières de tiroir en place pendant qu'une autre aligne la façade du tiroir et insère les pitons dans les encoches.



- Réinstaller et serrer les deux vis situées au sommet de la façade du tiroir (une à gauche et une à droite).

### Style avant 3

- Retirer les glissières de tiroir du compartiment de congélation en les faisant glisser.
- Insérer les vis du sommet de l'avant du tiroir dans les fentes des supports du tiroir.



- Serrer complètement toutes les vis.

## Fermeture et alignement des portes

La grille de base recouvre les pieds de stabilisation ajustables et les roulettes situées au bas du réfrigérateur sous le tiroir du congélateur. Avant de réaliser les ajustements, retirer la grille de la base et déplacer le réfrigérateur à son emplacement définitif.

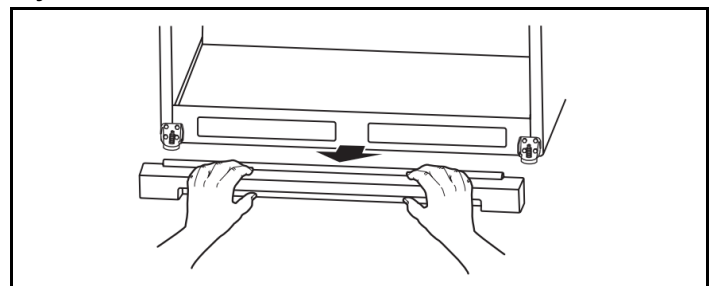
**Outils requis :** Tourne-écrou de 1/4 po

**Outil fourni :** Clé hexagonale de 1/8 po

- Enlever la grille de la base.

### GRILLE DE LA BASE

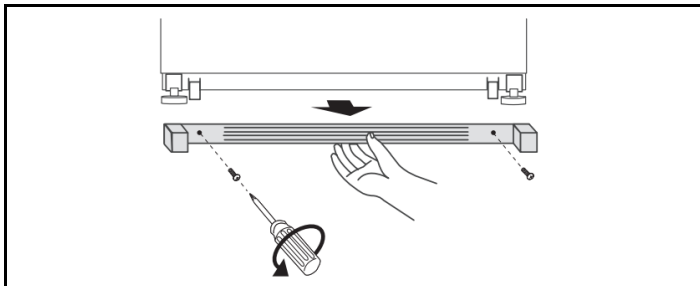
#### Style 1



- Saisir la grille fermement et la tirer vers soi en utilisant les deux mains. Ouvrir le tiroir du congélateur pour accéder aux pieds de stabilisation.

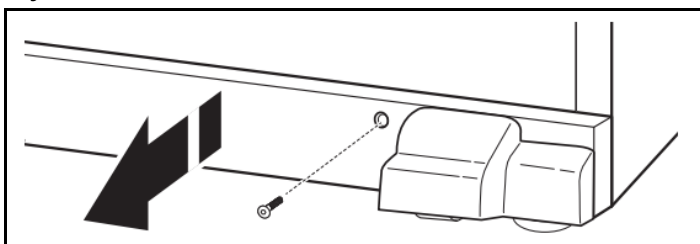
**REMARQUE :** Pour permettre au réfrigérateur de rouler plus facilement, soulever les pieds de stabilisation en les tournant dans le sens antihoraire. Les roulettes avant toucheront le plancher.

## Style 2



- Retirer les deux vis fixant la grille de la base de l'appareil, et mettre les vis de côté.
  - Saisir la grille et la tirer vers soi.
- REMARQUE :** Pour permettre au réfrigérateur de rouler plus facilement, soulever les pieds de stabilisation en les tournant dans le sens antihoraire. Les roulettes avant toucheront le plancher.

## Style 3

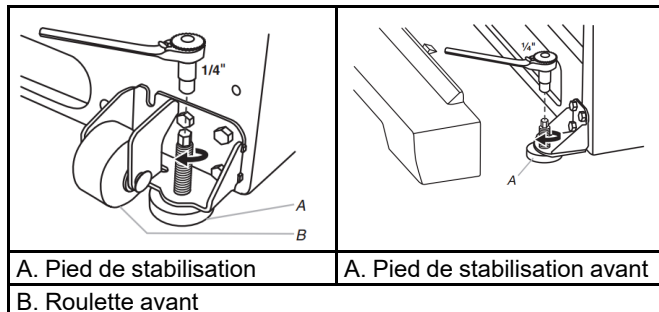


- Utiliser une tourne-écrou hexagonal de 1/4 po pour retirer les deux vis de la base de la grille.
  - Saisir la grille fermement et la tirer vers soi en utilisant les deux mains. Ouvrir le tiroir du congélateur pour accéder aux pieds de stabilisation.
- REMARQUE :** Pour permettre au réfrigérateur de rouler plus facilement, soulever les pieds de stabilisation en les tournant dans le sens antihoraire. Les roulettes avant toucheront le plancher.
2. Déplacer le réfrigérateur jusqu'à sa position de service finale.
  3. S'assurer que les portes ferment facilement. Si vous êtes satisfait de la facilité avec laquelle la porte s'ouvre et se ferme, sauter la section suivante et passer à « Alignement des portes ». Cependant, si les portes ne ferment pas facilement ou qu'elles s'ouvrent d'elles-mêmes, ajuster l'inclinaison.
  4. À l'aide d'un tourne-écrou de 1/4 po, abaisser le pied de stabilisation. Les tourner dans le sens horaire, jusqu'à ce que les roulettes ne touchent plus le sol et que les deux pieds de stabilisation soient fermement en appui sur le sol. Cet arrangement vise à empêcher le réfrigérateur de rouler vers l'avant à l'ouverture des portes ou du tiroir de congélation.
- IMPORTANT :** Si des ajustements sont nécessaires par la suite et si cela comprend les pieds de stabilisation, les deux pieds de stabilisation doivent être tournés de façon égale pour conserver l'aplomb du réfrigérateur.
5. À l'aide d'un niveau, vérifier que le réfrigérateur est d'aplomb transversalement et d'avant en arrière.
  6. Vérifier que le dessus des portes est égal et que l'espace entre le bas des portes du réfrigérateur et le haut du tiroir du réfrigérateur est égal. Au besoin, aligner les portes.

## Ajustement de l'inclinaison de la caisse :

1. Ouvrir le tiroir du congélateur. Utiliser un tourne-écrou de 1/4 po pour tourner les deux pieds de stabilisation du même nombre de tours dans le sens horaire. Cela soulève l'avant du réfrigérateur. Il peut être nécessaire d'effectuer plusieurs tours pour permettre aux portes de se fermer plus facilement.

**REMARQUE :** Le fait d'exercer une pression contre le dessus du réfrigérateur permet d'alléger le poids appliqué aux pieds de stabilisation. Ceci facilite leur rotation.



2. Vérifier que le dessus des portes est égal et que l'espace entre le bas des portes du réfrigérateur et le haut du tiroir du réfrigérateur est égal. Au besoin, aligner les portes.

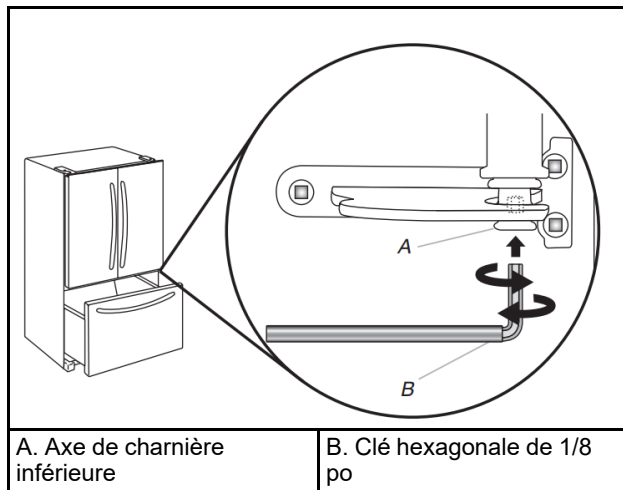
### ■ Pour aligner les portes :

- Tout en gardant les deux portes du réfrigérateur fermées, retirer le tiroir du congélateur. Repérer l'axe de charnière inférieure de la porte de droite du réfrigérateur. La vis d'alignement se trouve à l'intérieur de l'axe de la charnière inférieure.
- Introduire l'extrémité courte de la clé à tête hexagonale de 1/8 po (jointe aux instructions d'installation de la poignée de porte) dans l'axe de la charnière inférieure jusqu'à ce qu'elle soit complètement engagée dans la vis d'alignement.

Pour soulever la porte du réfrigérateur, tourner la clé à tête hexagonale vers la droite.

Pour abaisser la porte, tourner la clé à tête hexagonale vers la gauche.

- Continuer à tourner la vis d'alignement jusqu'à ce que les portes soient alignées.



- S'assurer que le réfrigérateur est stable. Si le réfrigérateur semble instable ou qu'il roule vers l'avant lorsqu'on ouvre la porte ou le tiroir, régler les pieds de stabilisation.

#### Stabilisation du réfrigérateur :

- Ouvrir le tiroir du congélateur. Utiliser un tourne-écrou de 1/4 po pour tourner les deux pieds de stabilisation du même nombre de tours dans le sens horaire, jusqu'à ce qu'ils soient fermement en appui sur le sol. Vérifier de nouveau. Si le résultat n'est pas satisfaisant, continuer d'ajuster les pieds de nivellement en tournant la vis par demi-tours jusqu'à ce que le réfrigérateur ne roule plus vers l'avant lors de l'ouverture du tiroir.

**REMARQUE :** Le fait d'exercer une pression contre le dessus du réfrigérateur permet d'alléger le poids appliqué aux vis de nivellement. Ceci facilite l'ajustement des vis.

Après avoir effectué les ajustements nécessaires, réinstaller la grille de la base en alignant les extrémités de la grille avec les dispositifs de nivellement de chaque côté et emboîter la grille. Utiliser au besoin une clé hexagonale de 1/4 po pour réinstaller les vis.

### Étapes finales

## ⚠ AVERTISSEMENT



#### Risque de décharge électrique

**Brancher l'appareil sur une prise à 3 alvéoles reliée à la terre.**

**Ne pas enlever la prise de liaison à la terre.**

**Ne pas utiliser d'adaptateur.**

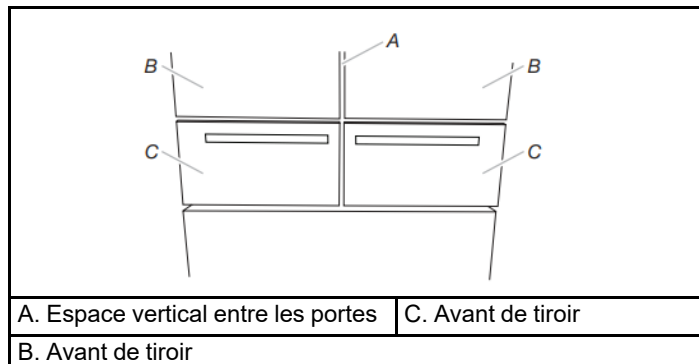
**Ne pas utiliser de rallonge.**

**Le non-respect de ces instructions peut causer un décès, un incendie ou une décharge électrique.**

- Brancher l'appareil dans une prise à 3 alvéoles reliée à la terre
- Réinitialiser les commandes. Voir la section « Panel Descriptions des commandes » du guide de démarrage rapide.
- Réinstaller l'ensemble des pièces amovibles dans les portes et les aliments dans le réfrigérateur.

### Alignement des façades des tiroirs réfrigérés (sur certains modèles)

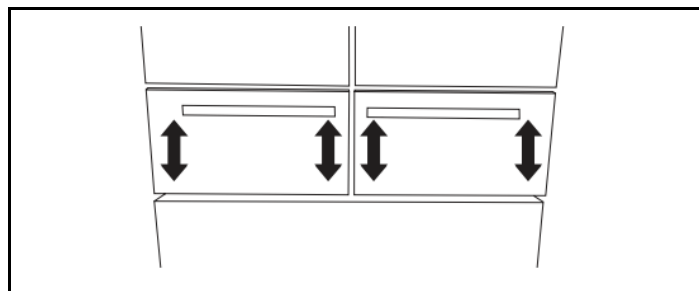
Lorsque les façades des tiroirs sont alignées, la largeur de l'espace vertical (A) entre les portes du réfrigérateur (B) et les façades des tiroirs (C) est la même et les tiroirs semblent de niveau.



L'alignement des façades des tiroirs est un processus en deux étapes. La première étape consiste à ajuster les façades des tiroirs vers le haut et vers le bas. La seconde étape consiste à déplacer les façades d'un côté à l'autre. Inspecter visuellement le réfrigérateur pour l'alignement et ajuster les façades des tiroirs au besoin.

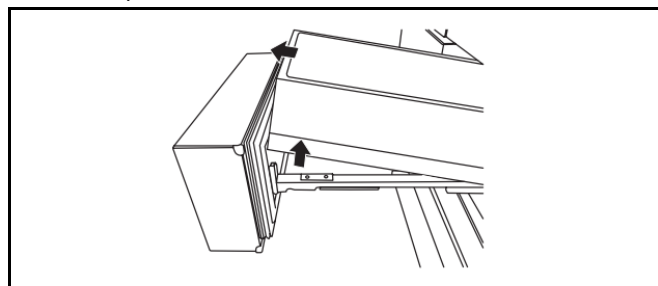
#### Étape 1 – Ajuster les façades des tiroirs vers le haut/vers le bas

**IMPORTANT :** Chaque tiroir réfrigéré peut être ajusté vers le haut et vers le bas des côtés droit et gauche.

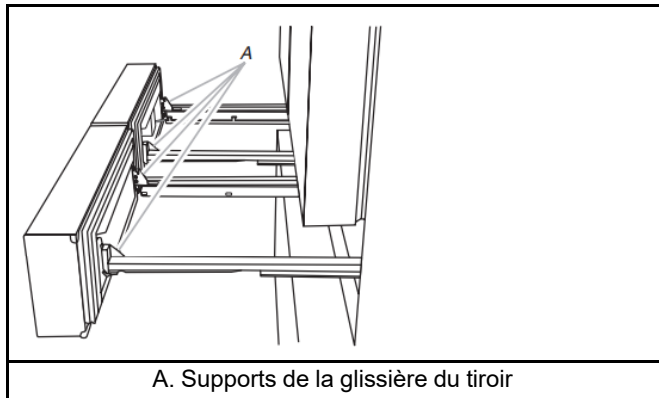


**Outils requis :** Tournevis à tête cruciforme

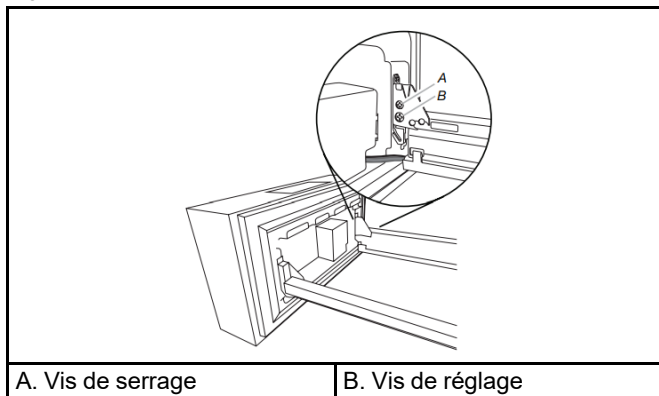
- Avec les tiroirs fermés, cibler la façade qui doit être relevée ou abaissée.
- Ouvrir complètement le tiroir et enlever le bac intérieur.



3. Repérer les encoches de la glissière de tiroir.



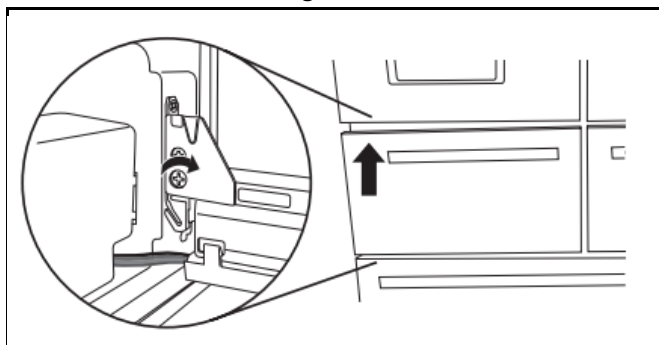
4. Insérer le tournevis cruciforme au niveau de la tête de vis serrée et tourner dans le sens antihoraire pour desserrer la façade du tiroir.



5. Insérer le tournevis cruciforme au niveau de la tête de vis de réglage pour ajuster la façade du tiroir.

**IMPORTANT :** La direction dans laquelle la vis de réglage est tournée dépend du côté du tiroir qui fait l'objet d'un ajustement.

**Glissière du tiroir du côté gauche**



- Pour relever la façade du tiroir, tourner la vis de réglage dans le sens horaire.
- Pour abaisser la façade du tiroir, tourner la vis de réglage dans le sens antihoraire.

**Glissière du tiroir du côté droit**

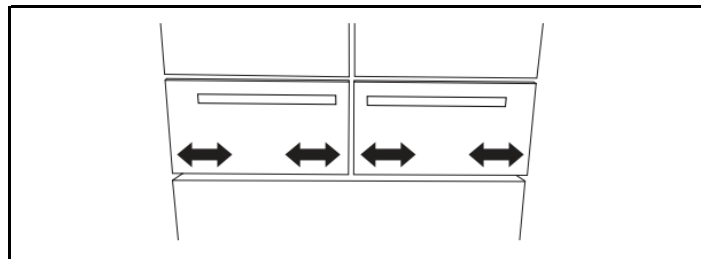
- Pour relever la façade du tiroir, tourner la vis de réglage dans le sens antihoraire.
- Pour abaisser la façade du tiroir, tourner la vis de réglage dans le sens horaire.

6. Insérer le tournevis cruciforme au niveau de la tête de vis serrée et tourner dans le sens horaire pour serrer la façade du tiroir.

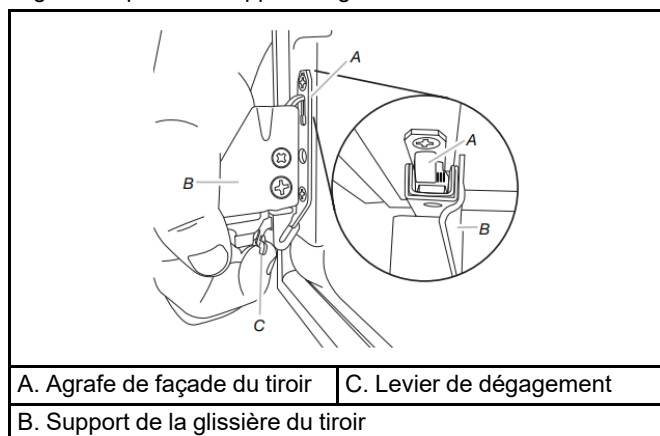
7. Refermer le tiroir réfrigéré pour vérifier l'alignement. Répéter les étapes 2 à 6 jusqu'à ce que les façades des tiroirs soient de niveau.

**Étape 2 – Ajuster les façades des tiroirs d'un côté à l'autre**

**IMPORTANT :** Chaque tiroir réfrigéré peut être ajusté latéralement des côtés droit et gauche.



1. Avec les tiroirs fermés, cibler le tiroir qui n'est pas aligné.
2. Ouvrir complètement le tiroir et enlever le bac intérieur.
3. Repérer les encoches de la glissière de tiroir.
4. En commençant par l'encoche de glissière la plus près de l'espacement vertical, appuyer sur le levier de dégagement et le maintenir en position relevée. Avec l'autre main, soulever l'agrafe de porte du support de glissières de tiroir.



5. Replacer l'agrafe de façade de tiroir sur le support de glissière de tiroir dans la direction vers laquelle on doit déplacer la façade du tiroir. S'assurer que l'encoche de glissière est de niveau sur le plan vertical.
6. Relâcher le levier pour verrouiller l'encoche de glissière en position.
7. Répéter les étapes 3 à 6 pour l'autre côté de la façade de tiroir.

**REMARQUE :** Ajuster l'agrafe sur le haut de la seconde encoche de glissière afin qu'elle soit à la même position que le côté ajusté en premier.

8. Refermer le tiroir et inspecter visuellement l'écartement. Répéter les étapes 2 à 7 jusqu'à ce que les façades des tiroirs soient alignées.

**ÉTAPES FINALES**

1. Réinstaller les bacs intérieurs.

**REMARQUE :** Ils doivent être placés dans les tiroirs de façon à ce que les tiroirs réfrigérés ferment et fonctionnent correctement. Voir la section « Retrait et réinstallation des façades des tiroirs ».

2. Refermer les tiroirs réfrigérés.



# FICHE DE DONNÉES DE PERFORMANCE

## Système de filtration de l'eau

Modèles P8WB2L (EDR1RXD1, filtre 1) Capacité 200 gallons (757 litres)



Nonfood Compounds  
Program Listed H1  
Registration # 155241

Système testé et homologué par NSF International en vertu des normes NSF/ANSI 42, 53 et 401, ainsi que CSA B483.1 pour la réduction de contaminants spécifiés sur la fiche de données de performance.

Ce système a été testé selon les normes NSF/ANSI 42, 53, 401 et CSA B483.1\*\* pour la réduction des substances énumérées ci-dessous. La concentration des substances indiquées dans l'eau entrant dans le système a été réduite à une concentration inférieure ou égale à la limite permise pour l'eau qui quitte le système, comme spécifié par les normes ANSI/NSF 42, 53 et 401, ainsi que CSA 483.1.\*\*

\*\*La certification CSA B483.1 ne peut être utilisée qu'avec les applications de réfrigération.

Réduction concentration produits de désinfection	Concentration dans l'eau à traiter	Limite permise de concentration du produit dans l'eau	Réduction de concentration % moy.
Chlore goût/odeur	2,0 mg/L ± 10 %	Réduction de 50 %	97,2 %
Particules (classe I*)	Au moins 10 000 particules/mL	Réduction de 85 %	99,9 %
Réduction des contaminants	Concentration dans l'eau à traiter	Limite permise de concentration du produit dans l'eau	Réduction de concentration % moy.
Plomb : à pH 6,5/ à pH 8,5	0,15 mg/L ± 10 %	0,010 mg/L	96,0 %
Benzène	0,015 mg/L ± 10 %	0,005 mg/L	99,8 %
P-dichlorobenzène	0,225 mg/L ± 10 %	0,075 mg/L	91,9 %
Carbofurane	0,08 mg/L ± 10 %	0,040 mg/L	92,4 %
Toxaphène	0,015 ± 10 %	0,003 mg/L	> 99 %
Atrazine	0,009 mg/L ± 10 %	0,003 mg/L	> 99,99 %
Amiante	10 <sup>7</sup> à 10 <sup>8</sup> fibres/L††	99 %	99,0 %
Kystes opérationnels †	50 000/L min.	99,95 %	> 96,6 %
Turbidité	11 NTU ± 10 %	0,5 NTU	> 99,8 %
Lindane	0,002 ± 10 %	0,000 2 mg/L	99,40 %
Tétrachloroéthène	0,015 mg/L ± 10 %	0,005 mg/L	> 99,8 %
O-dichlorobenzène	1,8 mg/L ± 10 %	0,60 mg/L	93,8 %
Éthylbenzène	2,1 mg/L ± 10 %	0,70 mg/L	99,8 %
1,2,4 – Trichlorobenzène	0,210 mg/L ± 10 %	0,07 mg/L	87,9 %
2,4 – D	0,210 mg/L ± 10 %	0,07 mg/L	> 96,6 %
Styrène	2,0 mg/L ± 10 %	0,1 mg/L	95,9 %
Toluène	3,0 mg/L ± 10 %	1,0 mg/L	> 96,9 %
Endrin	0,006 mg/L ± 10 %	0,002 mg/L	> 96,4 %
Aténolol	200 ± 20 %	60 ng/L	> 97,0 %
Triméthoprim	140 ± 20 %	20 ng/L	> 97,4 %



Linuron	140 ± 20 %	20 ng/L	> 97,9 %
Estrone	140 ± 20 %	20 ng/L	93,8 %
Nonylphénol	1400 ± 20 %	200 ng/L	96,1 %
Carbamazépine	1400 ± 20 %	200 ng/L	99,20 %
Phénytoïne	200 ± 20 %	30 ng/L	99,3 %/98,6 %
Naproxène	140 ± 20 %	20 ng/L	93,3 %
Bisphénol A	2000 ± 20 %	300 ng/L	98,9 %

Paramètres de tests : pH = 7,5 ± 0,5 à moins d'indications contraires. Débit = 0,5 gpm (1,89 Lpm). Pression = 60 lb/po<sup>2</sup> (413,7 kPa). Température = 68 °F à 71,6 °F (20 °C à 22 °C). Capacité de service nominale = 200 gallons (757 litres).

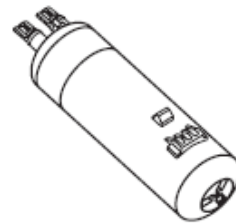
Les composés certifiés en vertu de la norme NSF 401 sont considérés comme appartenant à la catégorie des « composés émergents/contaminants secondaires ». Les composés émergents/contaminants secondaires sont des composés qui ont été détectés à de faibles concentrations dans des sources d'approvisionnement en eau potable. Même s'ils n'apparaissent qu'à de faibles concentrations, ces composés peuvent influencer la perception et le niveau d'acceptation de la qualité de l'eau de consommation par le public.

- Pour obtenir les instructions d'installation, d'utilisation et d'entretien, consulter le manuel d'utilisation.
- Il est essentiel que les exigences de fonctionnement, d'entretien et de remplacement de filtre soient respectées pour que ce produit donne le rendement annoncé. Des dommages à la propriété peuvent se produire lorsque les instructions ne sont pas toutes respectées.
- La cartouche jetable doit être changée au moins tous les 6 mois.
- Utiliser le filtre de remplacement P8RFWB2L, numéro de pièce EDR1RXD1/EDR1RXD1B. Prix suggéré au détail en 2015 de 49,99 \$ US/49,99 \$ CAN. Les prix sont indiqués sous réserve de modification.
- Le système de contrôle du filtre mesure la quantité d'eau qui passe par le filtre et indique quand remplacer le filtre.
- Consulter les sections « Utilisation des commandes » ou « Système de filtration de l'eau » (dans les instructions d'utilisation ou le guide d'utilisation) pour savoir comment vérifier l'état du filtre à eau.
- Après avoir remplacé le filtre à eau, purger le système d'eau. Voir les sections « Distributeur d'eau et de glaçons » ou « Distributeur d'eau » dans les instructions d'utilisation ou le guide d'utilisation.
- Ces contaminants ne sont pas nécessairement présents dans l'approvisionnement d'eau. Même si le test a été effectué dans des conditions de laboratoires standard, le rendement réel peut varier.
- Le produit doit être utilisé pour l'eau froide seulement.
- Le circuit d'eau doit être installé conformément aux lois et règlements locaux et à ceux de la province concernée.
- Ne pas utiliser ce produit pour filtrer une eau microbiologiquement polluée ou de qualité inconnue en l'absence d'un dispositif de désinfection adéquat en amont ou en aval du système. Les systèmes certifiés pour la réduction des kystes peuvent être utilisés pour une eau désinfectée susceptible de contenir des kystes filtrables. Étab. EPA no 082047-TWN-001
- Consulter la section « Garantie » (dans les instructions d'utilisation ou le guide d'utilisation) pour connaître la garantie limitée, le nom et le numéro de téléphone du fabricant.

#### Directives d'application/paramètres d'approvisionnement en eau

Source d'eau	Puits ou collectivité
Pression d'eau	207 à 827 kPa (30 à 120 lb/po <sup>2</sup> )
Température de l'eau	33 °F à 100 °F (0,6 °C à 37,8 °C)
Débit nominal	2,27 L/min (0,50 gpm) à 413,7 kPa (60 lb/po <sup>2</sup> )

- Le système de filtration d'eau peut prendre en charge une pression d'eau pouvant atteindre 120 livres par pouce carré (lb/po<sup>2</sup>). Si l'alimentation en eau est supérieure à 80 lb/po<sup>2</sup>, installer un détendeur avant d'installer le système de filtration d'eau.



\*Classe I – taille des particules : >0,5 à 1 um

†Sur la base de la filtration de kystes de *Cryptosporidium parvum*

†† Filtres de longueur supérieure à 10 um

®NSF est une marque déposée de NSF International.