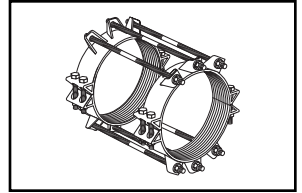


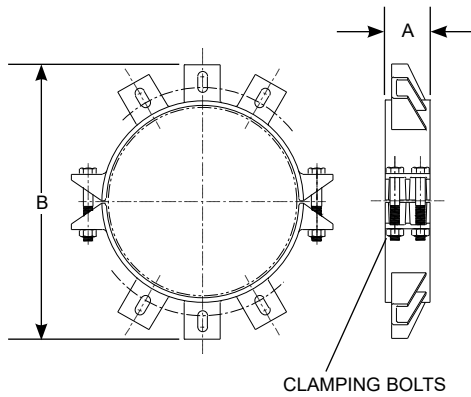
# SUBMITTAL INFORMATION

## Uni-Flange® Restraint - (UFR1390-C-xx-RED-RB-I style)

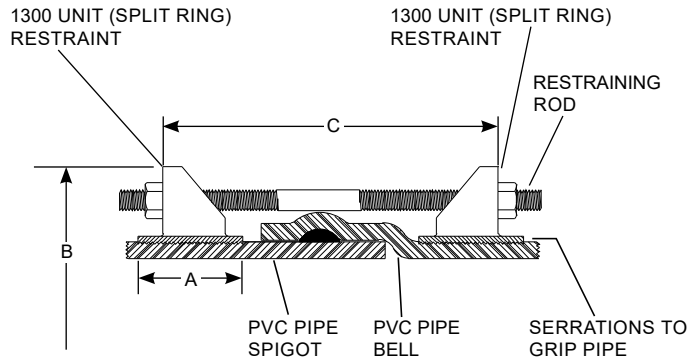


**SERIES 1390-C 14" - 42" RESTRAINT HARNESS (WITH BLUE FLUOROCARBON-COATED HARDWARE)  
FOR PVC PIPE BELL JOINTS**

**1300 SPLIT RESTRAINT**



**1390 ASSEMBLY**



NOM. PIPE SIZE	OD (IN.)	CATALOG NUMBER	A	B APPROX.	C MAX	RESTRAINING BOLTS / RODS	CLAMPING BOLTS PER GLAND	MAX BELL CLEARANCE	APPROX. WEIGHT LBS.	✓ SUBMITTED ITEM(S)
						No. AND SIZE	No. AND SIZE			
14"	15.30	UFR1390-C-14-RED-RB-I	4"	22-7/16"	28"	(6) 3/4" x 30"	(4) 7/8" x 7"	19.63"	125	
16"	17.40	UFR1390-C-16-RED-RB-I	4"	24-5/8"	28"	(6) 3/4" x 30"	(4) 7/8" x 5"	21.63"	130	
18"	19.50	UFR1390-C-18-RED-RB-I	5"	26-7/16"	28"	(8) 3/4" x 30"	(4) 1" x 7"	23.88"	180	
20"	21.60	UFR1390-C-20-RED-RB-I	5"	29-5/32"	34"	(8) 3/4" x 36"	(4) 1-1/8" x 9"	26.13"	235	
24"	25.80	UFR1390-C-24-RED-RB-I	5"	33-5/8"	34"	(12) 3/4" x 36"	(4) 1-1/8" x 9"	30.63"	305	
30"	32.00	UFR1390-C-30-RED-RB-I	7"	40-7/8"	46"	(12) 1" x 48"	(6) 1-1/8" x 6"	37.06"	450	
36"	38.30	UFR1390-C-36-RED-RB-I	7"	48-1/4"	46"	(12) 1" x 48"	(6) 1-1/8" x 6"	44.38"	520	
42"	44.50	UFR1390-C-42-RED-RB-I	10-3/4"	57-7/16"	50"	(16) 1-1/4" x 52"	(6) 1-1/8" x 6"	52.75"	1240	

**Note:** For DR18, longer rods may be required. Please contact factory for more information.

### FEATURES

- Ductile iron per ASTM A536, grade 65-45-12
- Rods (included) - high strength, low alloy steel per ANSI / AWWA C111/A21.11 with blue fluorocarbon coating
- Side clamping bolts and nuts - Grade 5 with blue fluorocarbon coating
- Rated at full-rated pressure of any class of PVC pipe, minimum 2:1 safety factor
- Coating - Black epoxy - NSF 61 approved, with red top coat for identification

The Ford Meter Box Company considers the information in this submittal form to be correct at the time of publication. Item and option availability, including specifications, are subject to change without notice. Please verify that your product information is current. Our standard warranty applies.



**The Ford Meter Box Company, Inc.**

P.O. Box 443, Wabash, Indiana U.S.A. 46992-0443

Phone: 260-563-3171 / Fax: 800-826-3487

Overseas Fax: 260-563-0167

www.fordmeterbox.com



09/02/21

Submitted By: