

PFTPDUU

Trap Primer Distribution Unit Installation Instructions



Installation Instructions

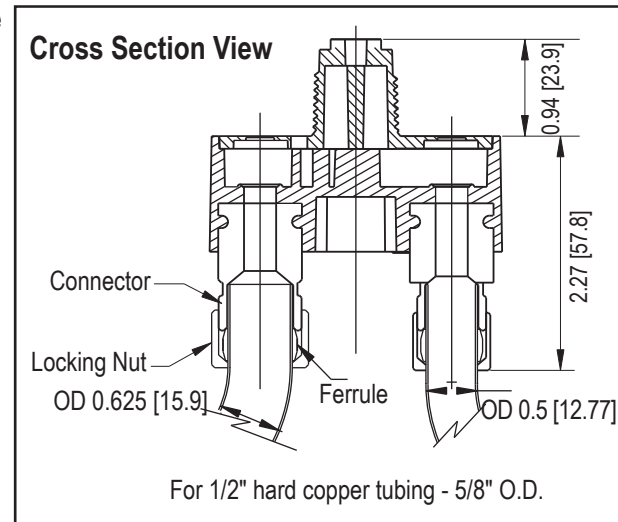
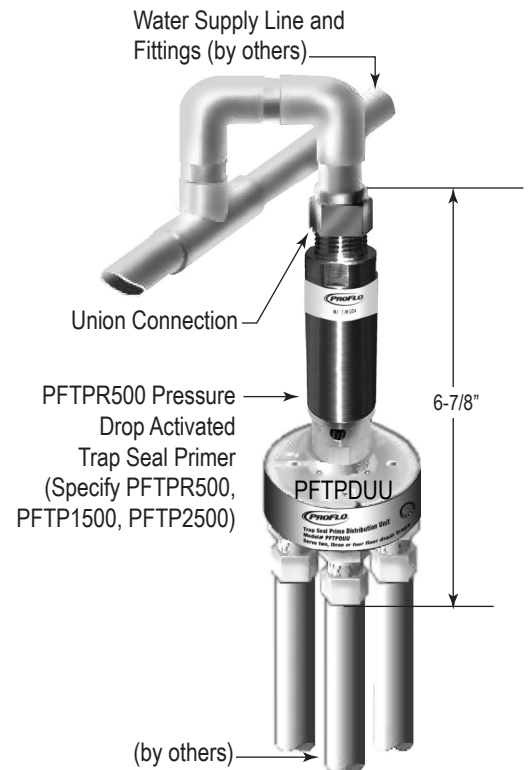
Thread the 1/2" male top threaded connection of the trap primer distribution unit into the underside of the trap primer. The PROFLO trap primer distribution unit is engineered to receive a metered amount of water from a trap seal primer and distribute the water equally to either two, three or four floor drain traps. The lid of the distribution unit has numbers "2", "3" and "4" marked on it. The body of the distribution unit has a guidemarker on top of the body and is divided into four equal sections. The numbers and the guide marker are positioned by removing the three screws in the lid of the unit and rotating the lid to match the appropriate numbers with the guide marker to provide priming for the desired number of drains. Do not over-torque the three lid screws when securing the lid back to the body. It is not necessary to install the distribution unit perfectly level. The unique design will distribute water uniformly when out of level up to 5 degrees.

Inspection Instructions

After installing the distribution unit to the underside of the trap primer, look through the plastic top lid of the distribution unit to verify that water is in the desired sections of the distribution unit body.

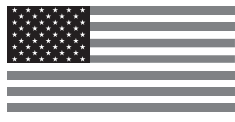
Maintenance Instructions

Must be installed with access for periodic inspection. Inspect the distribution unit through the plastic top lid to ensure that there is no debris clogging the drain holes from each of the four body sections selected to drain water to the floor drain traps. If there is debris clogging the distribution unit, disconnect the unit from the trap seal primer, remove the three screws in the lid and clean out the debris.



Warranty and Codes

This PROFLO product carries a 1-year limited warranty.



Assembled in U.S.A.



The wetted surface contacted by consumable water contains less than one quarter of one percent (0.25%) of lead by weight.

Call 1-833-334-9929 for assistance

Distributed Exclusively by Ferguson and Wolsley Canada



CALIFORNIA PROPOSITION 65 WARNING
WARNING: This product can expose you to chemicals including Pb, Formaldehyde, Carbon Black, TNT, Acrylonitrile, Butadiene which are known to the State of California to cause cancer, and birth defects or other reproductive harm. For more information go to [www. P65Warnings.ca.gov](http://www.P65Warnings.ca.gov).

© 2018 Ferguson Enterprises, Inc. All Rights Reserved

7968 01/18

PFTPDUU

Trap Primer Distribution Unit Trouble Shooting



What is the line pressure for the installation?

The PFTP Series will work in 20 - 80 psi.

How far away is the trap seal primer from the source of the pressure drop?

Anything farther away than 20 feet is an issue; the farther the primer is away from the source of the pressure drop, the less likely it will sense it and work.

What is the required pressure drop where the primer is located?

The PFTP Series of primers will work with as little as 3 psi in pressure drop. With today's low flow and consumption faucets, there is less pressure drop being created when the faucets and toilets are used. Install the trap seal primer as close to the low flow fixture as possible.

Water Hammer arrestors on the line can also affect pressure drop. It would be best to get a pressure reading where the trap primer is installed. The PFTP Series needs a fast, sharp pressure drop to activate. The long pipe run to the trap primer and the water hammer arrestor may not allow the trap primer to function properly.

Gauge fluctuation:

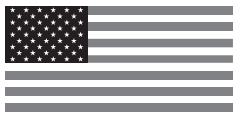
Is it a quick and sharp pressure drop? Or did it gradually drop? The trap primers need a quick pressure drop to activate. A slow gradual pressure drop may not activate the PFTP Series trap primer. It is important for proper function that the primer be as close to the pressure drop source as possible. If the trap primer is located close to the pressure drop filled with water, then it is likely the rate of the pressure drop that is causing the issue.

Water Heaters

Do not install the trap seal primer on a water heater due to the insufficient pressure drop.

Warranty and Codes

This PROFLO product carries a 1-year limited warranty.



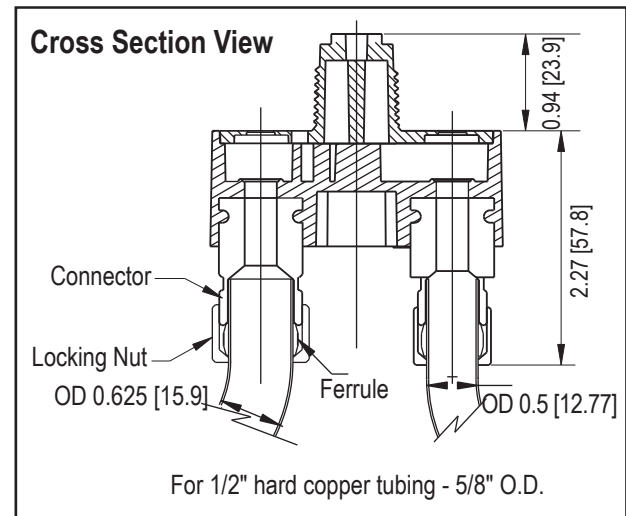
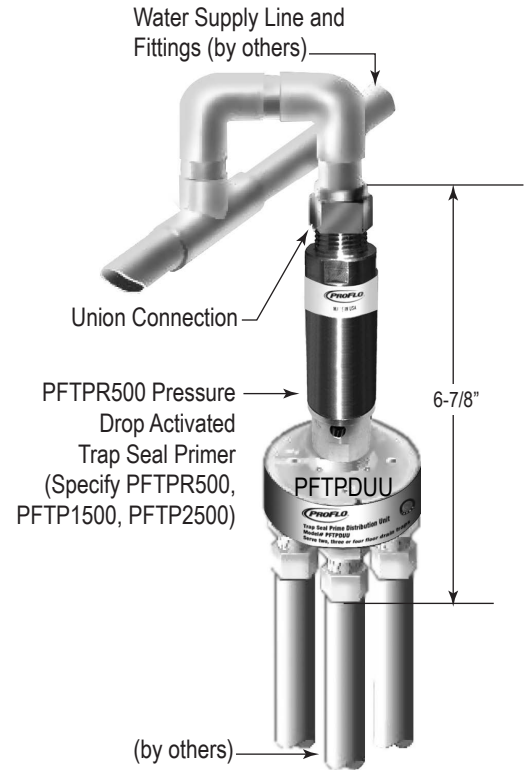
Assembled in U.S.A.



The wetted surface contacted by consumable water contains less than one quarter of one percent (0.25%) of lead by weight.

Call 1-833-334-9929 for assistance

Distributed Exclusively by Ferguson and Wolsley Canada



CALIFORNIA PROPOSITION 65 WARNING
WARNING: This product can expose you to chemicals including Pb, Formaldehyde, Carbon Black, TNT, Acrylonitrile, Butadiene which are known to the State of California to cause cancer, and birth defects or other reproductive harm. For more information go to [www. P65Warnings.ca.gov](http://www.P65Warnings.ca.gov).