

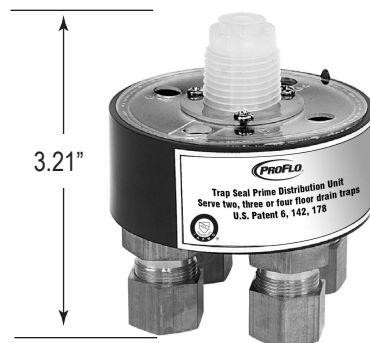
PFTPDUU

Trap Primer Distribution Unit

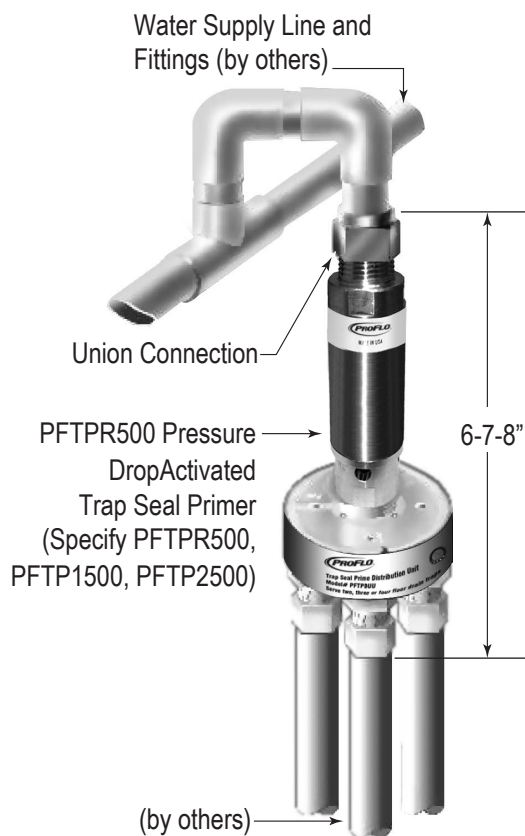
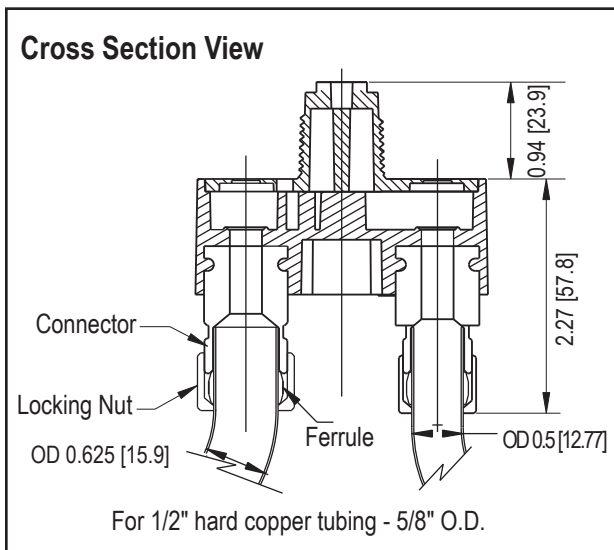


Product Features

- Distribution unit body is made of ABS with H.D.P.E. lid.
- 1/2" Male NPT composite inlet.
- Four 5/8" O.D. brass compression outlet connections.
- Provides simple means to prime multiple floor drains using only one trap priming valve.
- Minimum of 1/2" OD copper tube line running from the distribution unit to the trap.
- Adjustable to serve two, three or four floor drain traps.
- It is not necessary to install perfectly level. The unique design will distribute water uniformly when out of level.
- Tested and Certified to I.A.P.M.O. I.G.C. Standard # 178-2002 (R2014).
- Brass compression connections meet the low lead requirements.

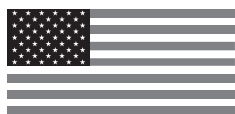


PFTPDUU



Warranty and Codes

This PROFLO product carries a 1-year limited warranty.



Assembled in U.S.A.

Distributed Exclusively by Ferguson and Wolseley Canada