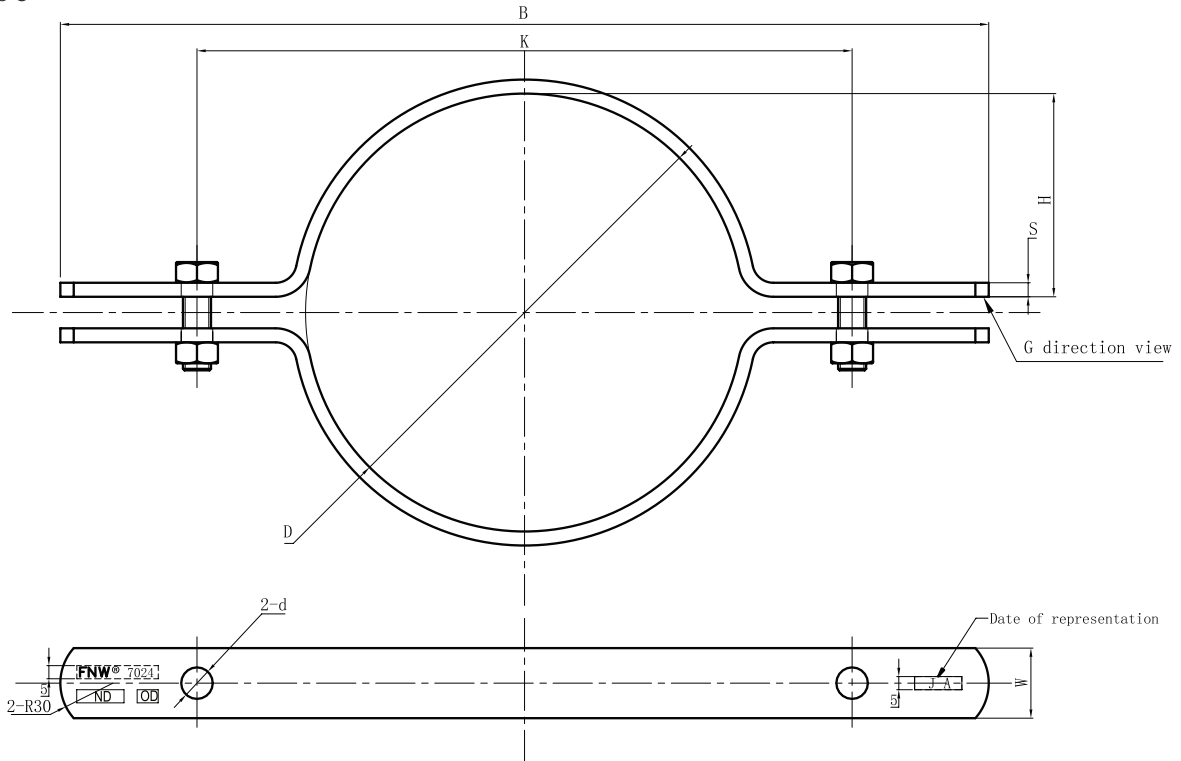


## METRIC RISER CLAMP

### FEATURES

- Finish: Epoxy-plated
- Color: Green
- MSS SP-58, Type 8



Catalog Number	Pipe Size		D	B	W	S	K	H	d	Bolt size	Design Load		Weight/Ea	
	MM	IN									LBS.	kN	LBS.	KG
FNW7024MM0020	20	0.79	21	230	25	5	63	6.5	11.5	M10x30	250	1.11	1.11	0.50
FNW7024MM0025	25	0.98	26	240	25	5	65	9	11.5	M10x30	250	1.11	1.16	0.53
FNW7024MM0032	32	1.26	33	245	25	5	68	12	11.5	M10x30	250	1.11	1.19	0.54
FNW7024MM0040	40	1.57	41	254	25	5	86	15	11.5	M10x40	250	1.11	1.28	0.58
FNW7024MM0050	50	1.97	51	265	25	5	95	19	11.5	M10x40	250	1.11	1.34	0.61
FNW7024MM0063	63	2.48	64	275	25	5	114	24.5	11.5	M10x40	375	1.67	1.40	0.64
FNW7024MM0075	75	2.95	76	285	25	5	116	30	11.5	M10x40	500	2.22	1.47	0.67
FNW7024MM0090	90	3.54	91	305	40	6	136	37	13.5	M12x40	500	2.22	2.91	1.32
FNW7024MM0125	125	4.92	126	370	40	6	210	54.5	13.5	M12x40	1050	4.67	3.58	1.62
FNW7024MM0160	160	6.30	161	395	40	8	228	72	14	M16x50	1450	6.45	5.06	2.30
FNW7024MM0200	200	7.87	201	470	40	8	297	91	18	M16x50	2300	10.23	6.30	2.86
FNW7024MM0250	250	9.84	252	530	40	8	371	116.0	18	M16x50	2500	11.12	7.22	3.28
FNW7024MM0315	315	12.40	317	600	50	13	420	147.5	18	M16x70	2700	12.01	16.73	7.59