

Available Exclusively at Ferguson



Watson features an integrated slotted overflow.

Designer Collection Tubs

Model # 501

Watson

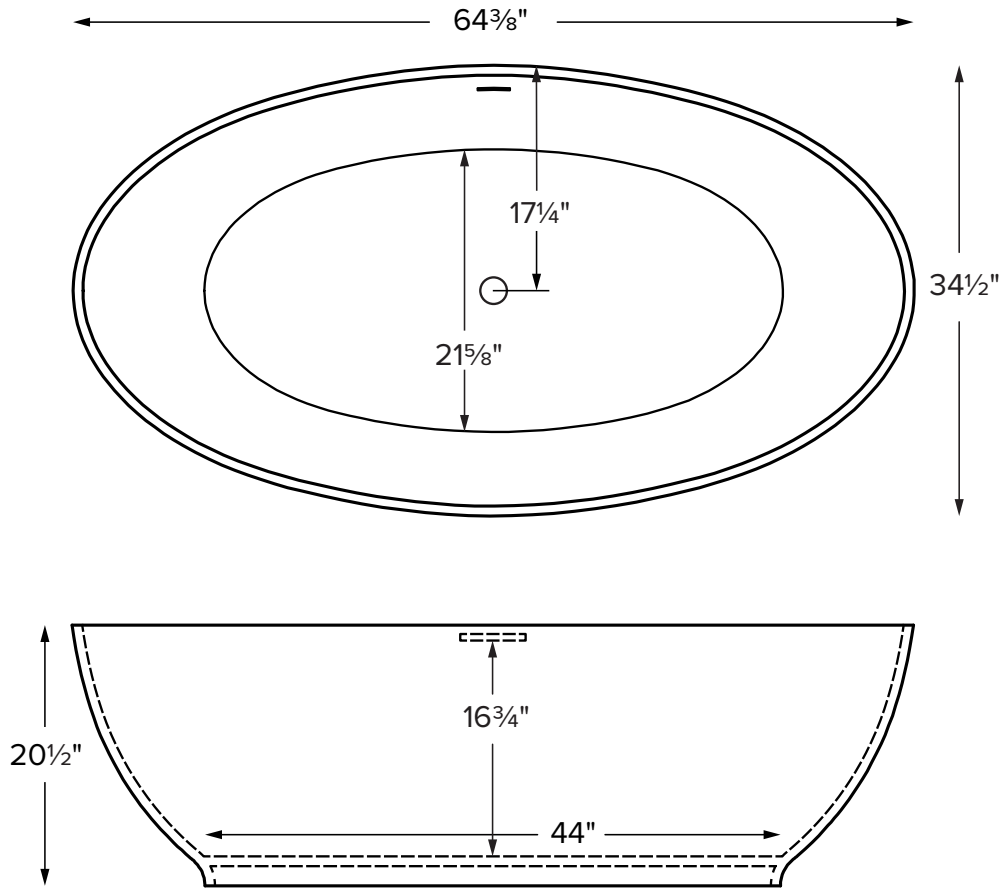
64.375" x 34.5" x 20.5"

GENERAL SPECIFICATIONS:

Material - Mineral Composite

Installation - Freestanding

Not recommended as a tub / shower combination.



ELECTRICAL SPECIFICATIONS:

Required Electrical Service 110 Volt

Air Bath..... 1-15 amp GFCI

CSA Certified C/US; ANSI Z124.1

IMPORTANT ORDERING & INSTALLATION INFORMATION:

- Includes an integrated slotted overflow, which only requires drain installation.
- Air baths require job site preparations for remote mounting the blower and required check valve. Check valve must be installed higher than the rim of the tub. The keypad is shipped loose and may be mounted on a nearby wall or decking. A waterproof remote control is also included. Please read installation manual prior to ordering.
- Measurements are $\pm 1/2"$ and are subject to change without notice.
- Options and accessories are packaged inside the tub crate for delivery.
- Data herein supersedes all prior to publication date shown below.

MTI's Customer Service Department is available Monday-Friday 8am-6pm EST at 800-783-8827 or customerservice@mtibaths.com to answer any questions pertaining to ordering or installation.



Designer Collection Tubs - Model # 501

Watson
64.375" x 34.5" x 20.5"

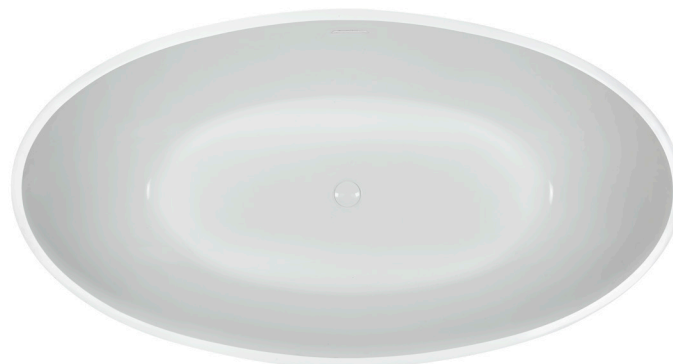
Package	Package Contents	Part #	MSRP
Soaker	Soaking bath - no jets. Includes an integrated slotted overflow with toe-tap drain kit.	S501	\$4,800
Air Bath	20 air jets, heated air blower, keypad, waterproof remote control, integrated slotted overflow with toe-tap drain kit.	AST501	\$8,800

Lead Time - 10 business days; soaker or air bath.

Standard Options <small>Note: part codes for all options listed in parenthesis</small>
Standard Colors: White, gloss finish
Matte Finish Upcharge: \$500 must specify at time of ordering
Accessories and Hardware for All Packages
Floor-Mounted High-Flow Tub Filler - two designs available Contemporary Chrome (FILLC) \$1,995 Brushed Nickel (FILLBN) \$2,155 Traditional Chrome (FILLTC) \$1,995 Brushed Nickel (FILLTBN) \$2,155
Faucet Stand - Available in multiple sizes & styles - from \$910
Bathroom Table (TABLE) \$930 color matched with tub
SculptureStone™ Tub Tray - color / finish matched with tub Solid (SSTRAY1), Solid with Stemware Holder (SSTRAY2) \$425
Teak Tub Tray Slatted (TK-TRAY1) \$395 Solid (TK-TRAY2) \$395
Teak Bath Mat (TK-MAT3018) \$410 custom sizes also available

For complete options information and specifications, visit mtibaths.com.

Options Information	
<p>Floor-Mounted High-Flow Tub Filler - Choose from contemporary or traditional design to complement most manufacturers' lavatory & shower faucets. Fill rate of 15 gallons per minute at 45 psi. Includes a hand-held shower with independent valve.</p>	
<p>Faucet Stand - Constructed of SculptureStone™ material. Taller models allow for wall-mount faucets and shorter versions (as shown at right) accommodate a Roman faucet. Available in multiple sizes & styles.</p>	
<p>Bathroom Table - Constructed of SculptureStone™ material. Ideal for placement of bathroom accessories.</p>	
<p>Tub Tray - Ideal surface for holding a book, beverage or bath accessories. Four models are available; choose from SculptureStone™ or teak.</p>	



Inside view of tub.