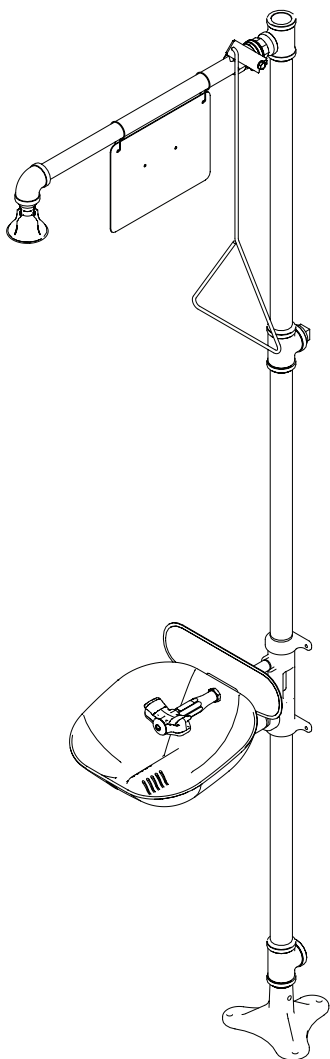


Installation

S19314 Series

Halo™ Combination Drench Shower and Eyewash or Eye/Face Wash



Read the instructions in this manual before beginning installation. Save these instructions and refer to them for inspection, maintenance and troubleshooting information.

Lire les instructions du présent manuel avant de commencer l'installation. Sauvegarder ces instructions et s'y reporter pour obtenir des renseignements relatifs à l'inspection, à l'entretien et au dépannage.

Lea las instrucciones de este manual antes de comenzar la instalación. Guarde estas instrucciones y consúltelas para obtener información sobre la inspección, el mantenimiento y la solución de problemas.

For questions regarding the operation, installation or maintenance of this product, visit bradleycorp.com or call 800.BRADLEY (800.272.3539).

Product warranties and parts information may also be found under "Resources" on our website at bradleycorp.com.

Pour toute question concernant le fonctionnement ou l'installation de ce produit, consulter le site www.bradleycorp.com ou appeler le 1-800-BRADLEY.

Les garanties de produits figurent sous la rubrique « Resources » (Ressources) sur notre site Internet à www.bradleycorp.com.

Para consultas sobre la operación o instalación de este producto, visite www.bradleycorp.com o llame al 1-800-BRADLEY.

Las garantías del producto se pueden encontrar en "Resources" (Recursos) de nuestro sitio Web, www.bradleycorp.com.



Table of Contents

Table of Contents	2
Pre-Installation Information	3-4
Halo Pre-Configured Models	5-7
Halo Configurator	8
Dimensions	9
Installation Instructions	10-11
Service Parts — Bowl and Hub	12-13
Service Parts — Eyewash, Eye/Face Wash and Bowl Covers	14-16
Service Parts — Base and Drain	17
Service Parts — Drench Shower	18-20
Service Parts — Optional Accessories	21
Avant l'installation	22-23
Modèles préconfigurés Halo	24-26
Configuration du produit	27
Dimensions	28
Instructions d'installation	29-31
Pièces de remplacement — Récepteur et moyeu	32-33
Pièces de remplacement — Douche oculaire, Douche oculaire/ faciale et couvercle anti-poussières	34-35
Pièces de remplacement — Bride et drain	36
Pièces de remplacement — Douche d'urgence	37-39
Pièces de remplacement — Accessoires en option	40
Información previa a la instalación	41-42
Modelos preconfigurados Halo	43-45
Configuración del producto	46
Dimensiones	47
Instrucciones de instalación	48-49
Piezas de repuesto — Receptor y buje	50-51
Piezas de repuesto — Lavajos, lavajos/rostro y cubierta contrapolvo	52-54
Piezas de repuesto — Base y drenaje	55
Piezas de repuesto — Ducha de aspersión	56-58
Piezas de repuesto — Accesorios opcionales	59

Safety Information

To ensure proper operation:

Installation

This fixture has been designed and 3rd party tested to meet ANSI/ISEA Z358.1. The system must be tested periodically to be sure it is functioning properly to meet the standard. Please refer to the ANSI/ISEA Z358.1 standard on testing requirements.

The installation, maintenance and location of all safety drench showers, eye and eye/face washes must comply with the requirements of ANSI/ISEA Z358.1. Workers who may come in contact with potentially hazardous materials should be trained regarding the location and proper operation of emergency equipment per ANSI/ISEA Z358.1.

ANSI/ISEA Z358.1 requires this unit to be used with a clean, potable, uninterrupted supply of tepid water. Bradley plumbed emergency fixtures require a minimum of 30 psi flowing pressure in order to function as designed and meet the ANSI/ISEA Z358.1 standard.

Self-closing spring-loaded valves are not UL classified to ANSI/ISEA Z358.1.

Before installation make sure that this equipment will meet the requirements of the potential hazardous contaminants in your location.

Installation of this system must be completed by a qualified plumber in compliance with all national and local codes. Compliance and conformity to drain requirements and other local codes and ordinances is the responsibility of the installer.

Weekly Inspections

To ensure all emergency shower and eye/face wash fixtures are ready to be used when needed, regular checks and maintenance must be conducted. Weekly inspections must be conducted on all safety equipment to make sure a suitable flushing fluid supply is present and to make sure the equipment is in good operating condition.

Water Temperature

ANSI/ISEA Z358.1 requires tepid water. Suitable range is 60°F to 100°F (16°C to 38°C). Personal injury is possible outside this temperature range.

Supplies Required:

- (3) 3/8" floor anchors and bolts
- Teflon tape and pipe sealant
- 30 PSI (2.0 bar) min/90 PSI (6.1 bar) max flow pressure
- 125 PSI (8.6 bar) max static pressure
- Piping to 1 1/4" NPT (BSPP) water supply inlet (30–90 psi [2.0-6.1 bar])
- Piping to 1 1/4" NPT drain outlet on unit (if included with unit)
- Adequate supply pipe supports
- Provisions to dispose of shower waste water (minimum 30 gallons [115 liters]) should be made (minimum 4" [102mm] drain).
- OPTIONAL: sign-mounting hardware



Local codes may require the installation of a backflow prevention valve to complete proper installation. Valve must be tested annually to verify that it is functioning properly. Backflow prevention valves are not included with the fixture and may be supplied by the contractor or purchased from Bradley Corporation.

Halo Pre-Configured Models

Halo Model Number	Description	UL certified to ANSI/ISEA
Eyewashes		
<input type="checkbox"/> S19314EW	Halo Eyewash, plastic showerhead & bowl	X
<input type="checkbox"/> S19314P	Halo Eyewash, plastic showerhead & bowl w/ hose spray	X
<input type="checkbox"/> S19314SB	Halo Eyewash, plastic showerhead, stainless steel bowl	X
<input type="checkbox"/> S19314LL	Halo Eyewash, plastic showerhead, stainless steel bowl, hand/foot activated	X
<input type="checkbox"/> S19314F	Halo Eyewash, plastic showerhead w/ stainless steel shroud & bowl	X
<input type="checkbox"/> S19314UU	Halo Eyewash, plastic showerhead w/ stainless steel shroud & bowl, hand/foot operated eyewash	X
Eyewashes with Dust Cover		
<input type="checkbox"/> S19314PDC	Halo Eyewash, plastic showerhead & bowl w/ dust cover	X
<input type="checkbox"/> S19314DC	Halo Eyewash, plastic showerhead, stainless steel bowl & hinged dust cover	X
Eye-Face Washes		
<input type="checkbox"/> S19314FW	Halo Eye/face wash, plastic showerhead & bowl	X
<input type="checkbox"/> S19314SBFW	Halo Eye/face wash, plastic showerhead, stainless steel bowl	X
<input type="checkbox"/> S19314AC	Halo Eye/face wash, plastic showerhead, stainless steel bowl, hand/foot operated eyewash	X
<input type="checkbox"/> S19314TT	Halo Eye/face wash, plastic showerhead w/ stainless steel shroud & bowl	X
<input type="checkbox"/> S19314SPR	Halo Eye/face wash, stainless steel showerhead & bowl, hand/foot operated eyewash	X
<input type="checkbox"/> S19314BFPB	Halo Eye/face wash, barrier-free, plastic showerhead & bowl	X
<input type="checkbox"/> S19314BF	Halo Eye/face wash, barrier-free, plastic showerhead, stainless steel bowl	X
Eye-Face Washes with Dust Covers		
<input type="checkbox"/> S19314PDCFW	Halo Eye/face wash, plastic showerhead & bowl w/ dust cover	X
<input type="checkbox"/> S19314DCFW	Halo Eye/face wash, plastic showerhead, stainless steel bowl & hinged dust cover	X
<input type="checkbox"/> S19314DCBF	Halo Eye/face wash, barrier-free, plastic showerhead, stainless steel bowl w/ dust cove	X
Eye-Face Washes without Eyewash Bowl		
<input type="checkbox"/> S19314GG	Halo Eye/face wash, plastic showerhead, no bowl	X
All Stainless Steel Eye-Face Wash		
<input type="checkbox"/> S19314BFSS	Halo stainless steel eye/face wash and showerhead, barrier free	X
<input type="checkbox"/> S19314FSS	Halo stainless steel eye/face wash and showerhead	X
<input type="checkbox"/> S19314SC	Halo stainless steel eye/face wash, bowl, cover and showerhead	X
<input type="checkbox"/> S19314SS	Halo stainless steel eye/face wash and showerhead with foot activation	X
<input type="checkbox"/> S19314SS16	Halo 316 stainless steel eye/face wash and showerhead with foot activation	X

Halo Pre-Configured Models

All models with AS4775, AS/NZS 4020 Certification include BSPP threading.

Halo Model Number	Description	IAPMO Oceana certified to AS4775 & AS4020
Eyewashes		
<input type="checkbox"/> S19314EWZ	Halo Eyewash, plastic showerhead & bowl	
<input type="checkbox"/> S19314EWZS	Halo Eyewash, plastic showerhead & bowl, stainless steel piping	X
<input type="checkbox"/> S19314SBZ	Halo Eyewash, plastic showerhead, stainless steel bowl	
<input type="checkbox"/> S19314SBZS	Halo Eyewash, plastic showerhead, stainless steel bowl, stainless steel piping	X
<input type="checkbox"/> S19314LLZ	Halo Eyewash, plastic showerhead, stainless steel bowl, hand/foot activated	
<input type="checkbox"/> S19314LLZS	Halo Eyewash, plastic showerhead, stainless steel bowl, hand/foot activated, stainless steel piping	X
<input type="checkbox"/> S19314FZ	Halo Eyewash, plastic showerhead w/ stainless steel shroud & bowl	
<input type="checkbox"/> S19314FZS	Halo Eyewash, plastic showerhead w/ stainless steel shroud & bowl, stainless steel piping	X
<input type="checkbox"/> S19314UUZ	Halo Eyewash, plastic showerhead w/ stainless steel shroud & bowl, hand/foot operated eyewash	
<input type="checkbox"/> S19314UUZS	Halo Eyewash, plastic showerhead w/ stainless steel shroud & bowl, hand/foot operated eyewash, stainless steel piping	X
<input type="checkbox"/> S19314PZ	Halo Eyewash, plastic showerhead & bowl w/hose spray	
Eyewashes with Dust Cover		
<input type="checkbox"/> S19314PDCZ	Halo Eyewash, plastic showerhead & bowl w/ dust cover	
<input type="checkbox"/> S19314PDCZS	Halo Eyewash, plastic showerhead & bowl w/ dust cover, stainless steel piping	X
<input type="checkbox"/> S19314DCZ	Halo Eyewash, plastic showerhead, stainless steel bowl & hinged dust cover	
<input type="checkbox"/> S19314DCZS	Halo Eyewash, plastic showerhead, stainless steel bowl & hinged dust cover, stainless steel piping	X
Eye-Face Washes		
<input type="checkbox"/> S19314FWZ	Halo Eye/face wash, plastic showerhead & bowl	
<input type="checkbox"/> S19314FWZS	Halo Eye/face wash, plastic showerhead & bowl, stainless steel piping	X
<input type="checkbox"/> S19314SBFWZ	Halo Eye/face wash, plastic showerhead, stainless steel bowl	
<input type="checkbox"/> S19314SBFWZS	Halo Eye/face wash, plastic showerhead, stainless steel bowl, stainless steel piping	X
<input type="checkbox"/> S19314ACZ	Halo Eye/face wash, plastic showerhead, stainless steel bowl, hand/foot operated eyewash	
<input type="checkbox"/> S19314ACZS	Halo Eye/face wash, plastic showerhead, stainless steel bowl, hand/foot operated eyewash, stainless steel piping	X
<input type="checkbox"/> S19314TTZ	Halo Eye/face wash, plastic showerhead w/ stainless steel shroud & bowl	
<input type="checkbox"/> S19314TTZS	Halo Eye/face wash, plastic showerhead w/ stainless steel shroud & bowl, stainless steel piping	X
<input type="checkbox"/> S19314SPRZ	Halo Eye/face wash, stainless steel showerhead & bowl, hand/foot operated eyewash	
<input type="checkbox"/> S19314SPRZS	Halo Eye/face wash, stainless steel showerhead & bowl, hand/foot operated eyewash, stainless steel piping	X
<input type="checkbox"/> S19314BFPBZ	Halo Eye/face wash, barrier-free, plastic showerhead & bowl	
<input type="checkbox"/> S19314BFPBZS	Halo Eye/face wash, barrier-free, plastic showerhead & bowl, stainless steel piping	X
<input type="checkbox"/> S19314BFZ	Halo Eye/face wash, barrier-free, plastic showerhead, stainless steel bowl	
<input type="checkbox"/> S19314BFZS	Halo Eye/face wash, barrier-free, plastic showerhead, stainless steel bowl, stainless steel piping	X

Halo Pre-Configured Models

All models with AS4775, AS/NZS 4020 Certification include BSPP threading.

Halo Model Number	Description	IAPMO Oceana certified to AS4775 & AS4020
Eye-Face Washes with Dust Cover		
<input type="checkbox"/> S19314PDCFVZ	Halo Eye/face wash, plastic showerhead & bowl w/ hinged dust cover	
<input type="checkbox"/> S19314PDCFVZS	Halo Eye/face wash, plastic showerhead & bowl w/ hinged dust cover, stainless steel piping	X
<input type="checkbox"/> S19314DCFVZ	Halo Eye/face wash, plastic showerhead, stainless steel bowl & hinged dust cover	
<input type="checkbox"/> S19314DCFVZS	Halo Eye/face wash, plastic showerhead, stainless steel bowl & hinged dust cover, stainless steel piping	X
<input type="checkbox"/> S19314DCBFZ	Halo Eye/face wash, barrier-free, plastic showerhead, stainless steel bowl w/ hinged dust cover	
<input type="checkbox"/> S19314DCBFZS	Halo Eye/face wash, barrier-free, plastic showerhead, stainless steel bowl w/ hinged dust cover, stainless steel piping	X
Eye-Face Washes without Eyewash Bowl		
<input type="checkbox"/> S19314GGZ	Halo Eye/face wash, plastic showerhead, no bowl	
<input type="checkbox"/> S19314GGZS	Halo Eye/face wash, plastic showerhead, no bowl, stainless steel piping	X
All Stainless Steel Eye/Face Wash		
<input type="checkbox"/> S19314BFSSZ	Halo stainless steel eye/face wash & showerhead, barrier free	X
<input type="checkbox"/> S19314FSSZ	Halo stainless steel eye/face wash & showerhead	X
<input type="checkbox"/> S19314SCZ	Halo stainless steel eye/face wash, bowl, cover & showerhead	X
<input type="checkbox"/> S19314SSZ	Halo stainless steel eye/face wash and showerhead with hand/foot activation	X
<input type="checkbox"/> S19314SS16Z	Halo 316 stainless steel eye/face wash and showerhead with hand/foot activation	X

Halo Configurator

Standard Selections (Must select one from each category)

Configuration

- A** 6" Drain Height, Barrier Free
- B** 24" Drain Height
- C** 24" Drain Height, Barrier Free
- O** 6" Drain Height, Standard

Pipe Material

- A** NPT, Yellow BradTect Galvanized Steel
- B** NPT, All 304 Stainless Steel
- C** NPT, All 316 Stainless Steel *
- D** NPT, Chrome-Plated
- F** BSPP, Yellow BradTect Galvanized Steel ‡
- G** BSPP, All 304 Stainless Steel ‡
- H** BSPP, All 316 Stainless Steel ‡
- J** BSPP, Chrome-Plated ‡

Ball Valve

- 1** Stay-Open Shower and Eyewash, Chrome-Plated Brass
- 2** Stay-Open Shower and Eyewash, 316 SS
- 3** Self-Closing Shower and Stay-Open Eyewash, Chrome-Plated Brass **

Showerhead

- A** Plastic Showerhead
- B** Plastic Showerhead with Plastic Shroud
- C** Plastic Showerhead with Stainless Steel Shroud
- D** 304 SS High Performance Showerhead
- E** 316 SS High Performance Showerhead

Eyewash – Eye/Face Wash

- A** Halo Eyewash
- B** Halo Eye/Face Wash
- D** Halo Eyewash, 304 SS Yoke
- E** Halo Eye/Face Wash, 304 SS Yoke
- F** 304 SS Halo Eye/Face Wash, 304 SS Yoke†
- G** Halo Eyewash, 316 SS Yoke
- H** Halo Eye/Face Wash, 316 SS Yoke
- J** 316 SS Halo Eye/Face Wash, 316 SS Yoke†

Bowl and Dust Cover

- A** Plastic Bowl, No Dust Cover
- B** Plastic Bowl, Plastic Dust Cover
- D** 304 SS, No Dust Cover
- E** 304 SS, 304 SS Dust Cover
- F** 304 SS, Plastic Dust Cover
- G** 316 SS, No Dust Cover
- H** 316 SS, 316 SS Dust Cover
- J** 316 SS, Plastic Dust Cover
- O** No Bowl or Dust Cover

Activation

- A** 300 SS Handle
- B** 316 SS Handle
- C** 300 SS Handle, 300 SS Foot Pedal
- D** 300 SS Handle, 316 SS Foot Pedal *
- E** 316 SS Handle with 316 SS Foot Pedal *

Drench Hose and Backflow Prevention

- A** Drench Hose Kit with Vacuum Breaker
- B** Drench Hose Kit with N9 Backflow Preventer
- C** Drench Hose Kit with 9D Backflow Preventer
- D** Drench Hose Kit without Backflow Preventer
- O** No Drench Hose and No Backflow Prevention
- Z** Drench Hose Ready

Freeze and Scald Protection

- N** Anti-Freeze Valve
- P** Anti-Scald Valve
- R** Anti-Freeze and Anti-Scald Valves
- O** No Anti-Freeze Valve and No Anti-Scald Valve
- Z** Anti-Freeze and Anti-Scald Valve Ready

- NPT = National Pipe Thread**
- BSPP = British Standard Pipe Parallel Threads**
- All selections made through the configurator are only UL certified to ANSI/ISEA Z358.1**

* Not available with barrier-free configurations.

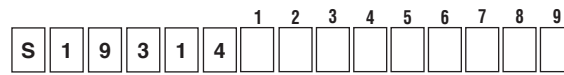
** Self-closing valves are not ANSI/ISEA Z358.1 compliant.

‡ Not available in the U.S.

† Must select stainless steel pipe and ball valve when stainless steel eye/face wash is required.

How to Specify Model and Configurations for Bradley Halo Products:

Model No. S19314

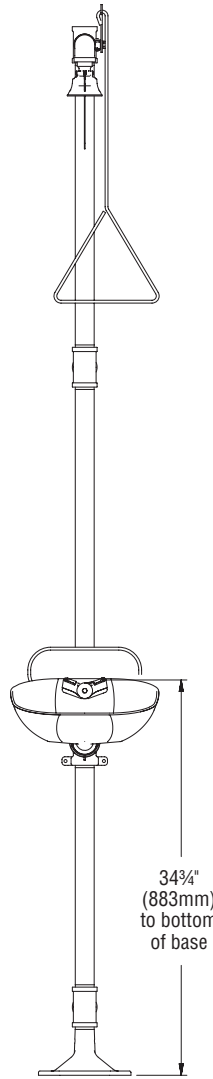
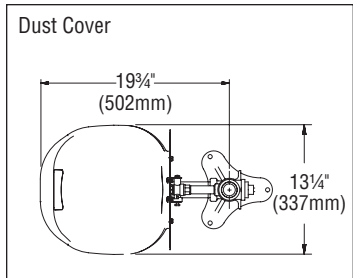
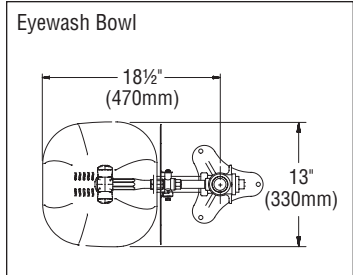
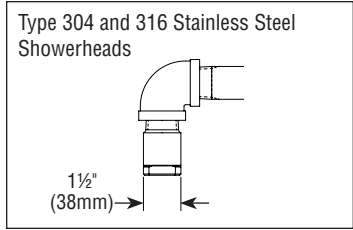
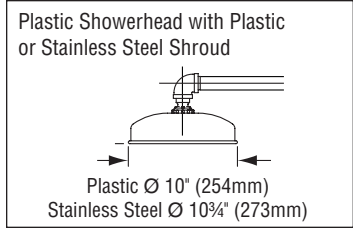
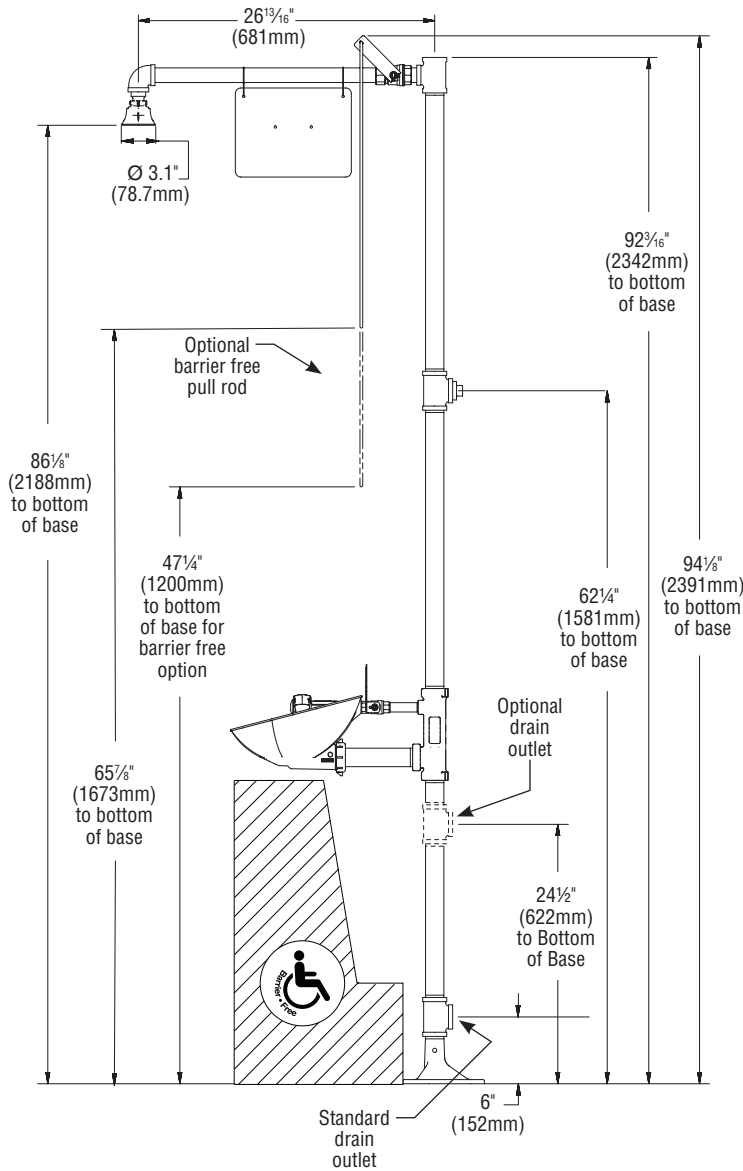



- 1. Configuration
- 2. Pipe Material
- 3. Ball Valve
- 4. Showerhead
- 5. Eyewash – Eye/Face Wash

- 6. Bowl and Dust Cover
- 7. Activation
- 8. Drench Hose and Backflow Prevention
- 9. Freeze and Scald Protection

Dimensions

S19314 shown with Plastic Bowl and Plastic Showerhead



 All dimensions assume standard thread engagement. Variations in manufacturing allow for +/- 1/8" (3mm) per threaded joint. To find the tolerance of a dimension, add the number of thread joints across the length of the dimension and multiply it by 1/8" (3mm).

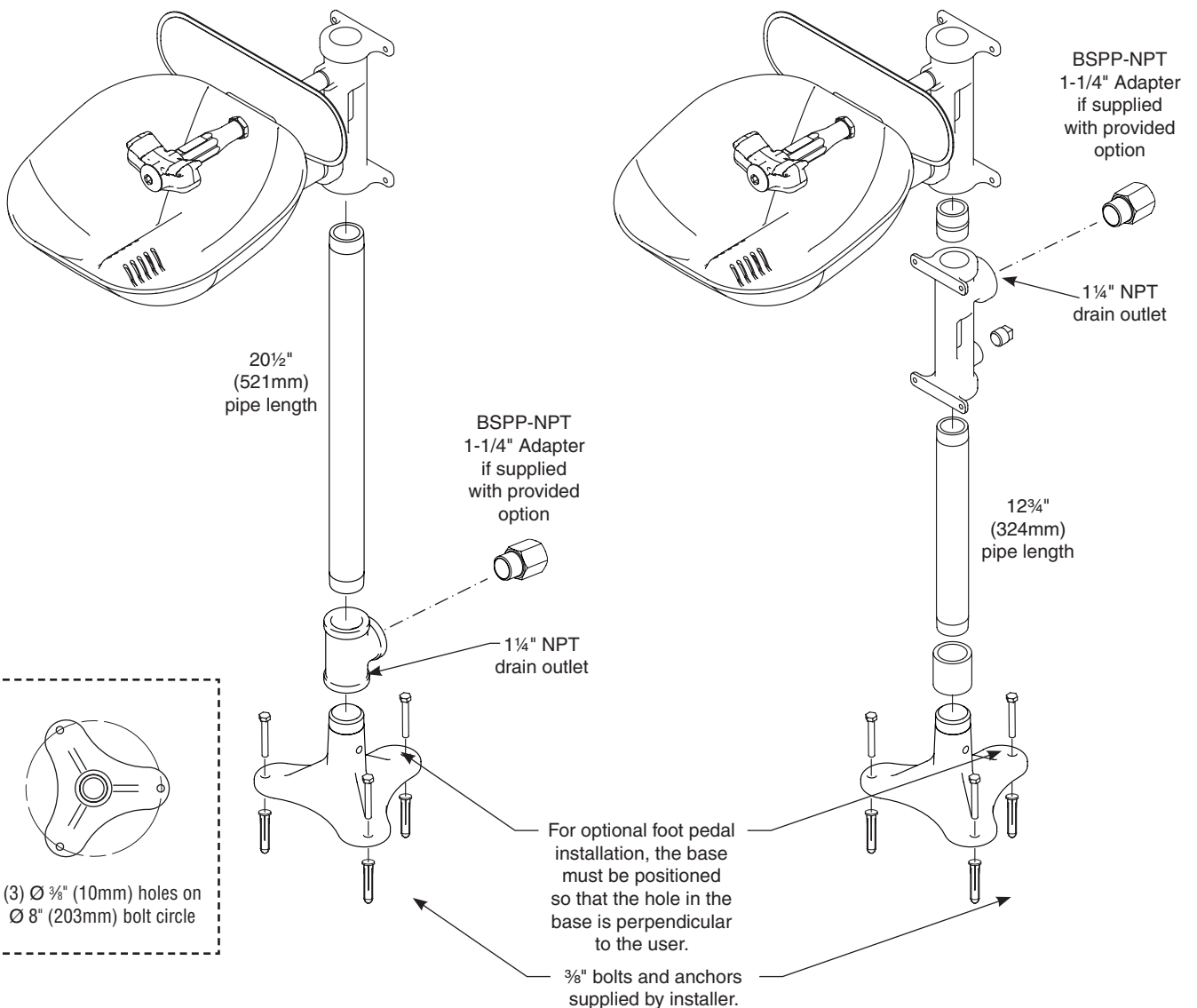
Water Flow Rate	
Showerhead	20–26 gpm
Eyewash	4–5¼ gpm
Eye/Face Wash	4–5¼ gpm
Body Wash	2–8 gpm

1 Assembly — Connect Base and Eyewash

- ☑ Standard eyewash unit is shown. Other units are similar.
- ☑ Connect components before securing the base to the floor. When connecting components, use the rubber grip pad (provided) around pipes to prevent marring.
- ☑ Apply pipe sealant (supplied by installer) to all male-threaded pipe joints, making sure not to get any excess over the edge of the pipes.

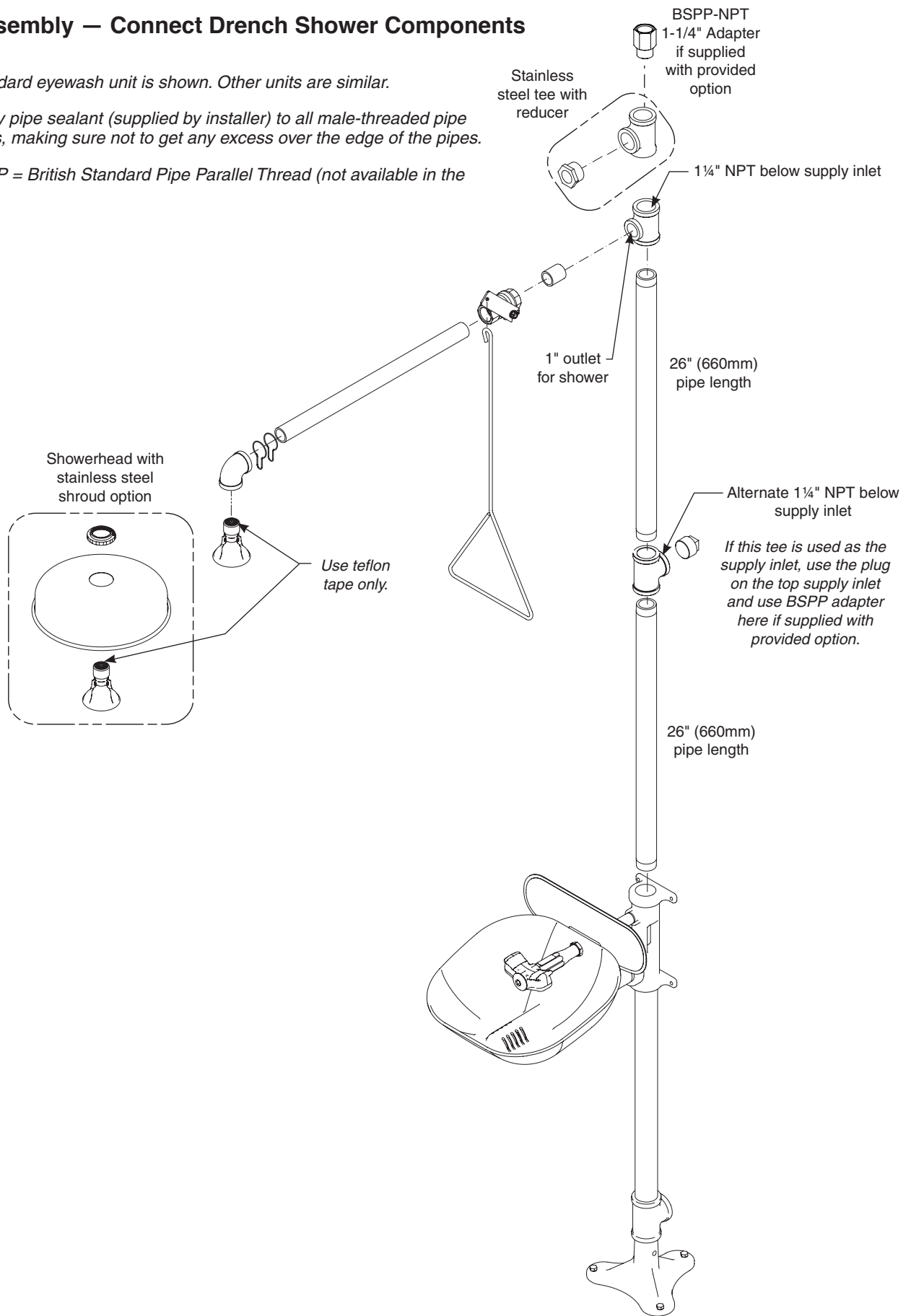
Halo unit with standard drain option

Halo unit with 24" drain option

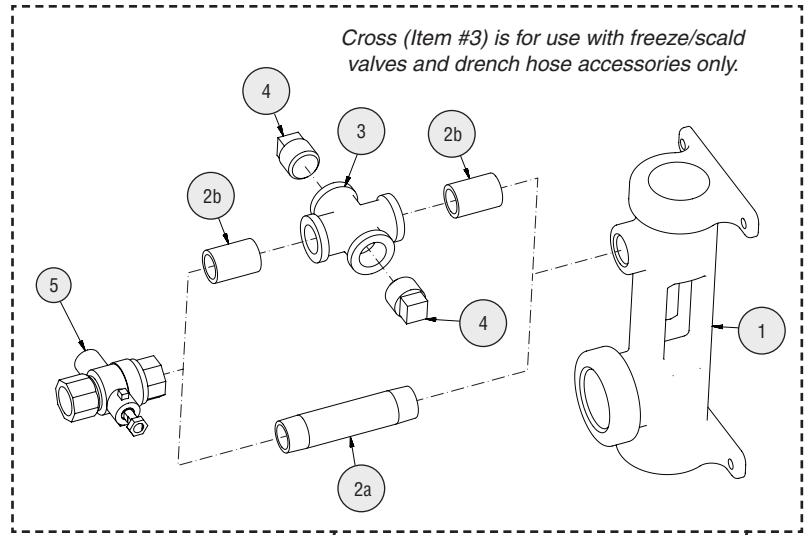


2 Assembly — Connect Drench Shower Components

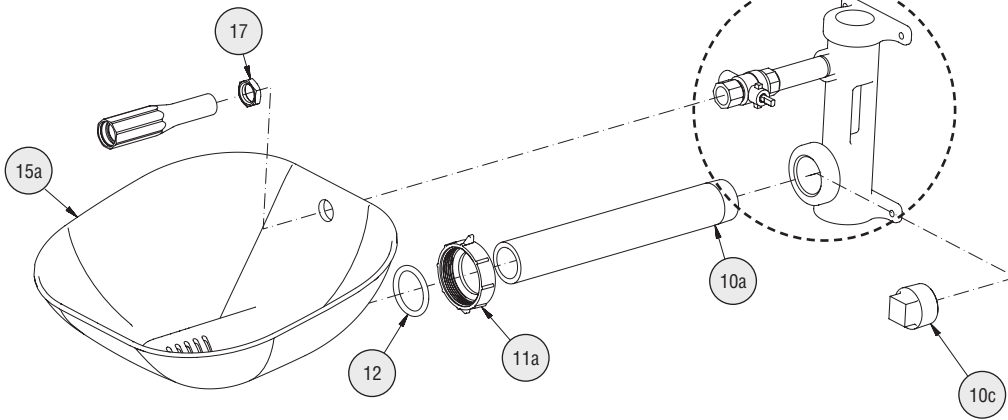
- ✓ *Standard eyewash unit is shown. Other units are similar.*
- ✓ *Apply pipe sealant (supplied by installer) to all male-threaded pipe joints, making sure not to get any excess over the edge of the pipes.*
- ✓ *BSPP = British Standard Pipe Parallel Thread (not available in the U.S.)*



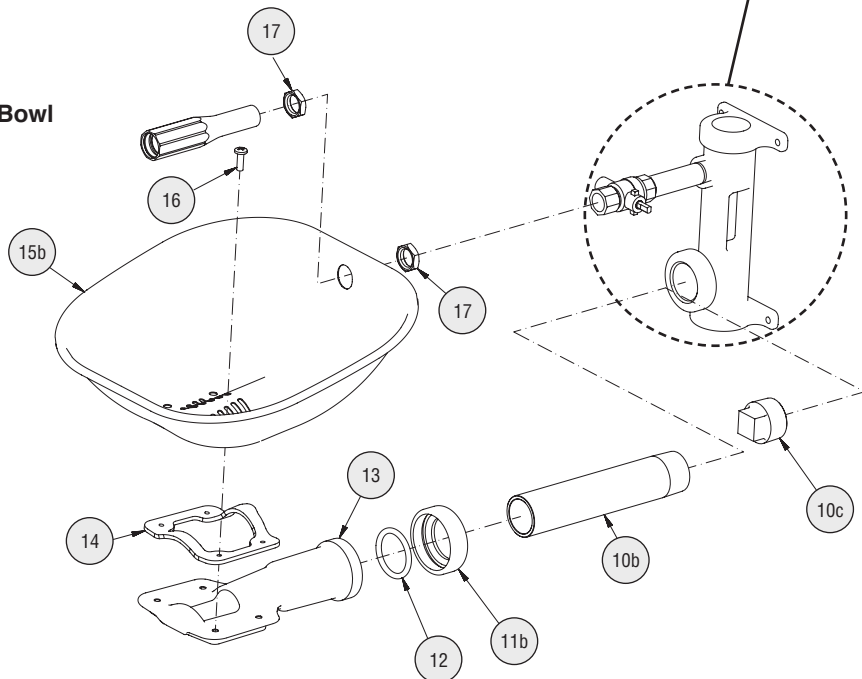
Service Parts — Bowl and Hub



Hub with Plastic Bowl



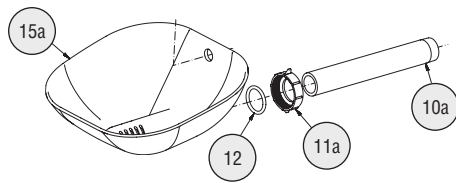
Hub with Stainless Steel Bowl



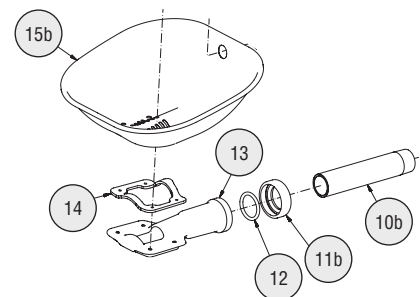
Service Parts List — Bowl and Hub

Item	Part No.	Qty	Description	Item	Part No.	Qty	Description
1	111-092	1	Hub	10a	113-1202	1	Pipe 1/4" x 11" thd. one end
1	111-093	1	Hub stainless steel	10a	113-1203	1	Pipe 1/4" x 11" thd. one end stn. steel
1	111-095	1	Hub stainless steel 316	10a	113-1138	1	Pipe 1/4" x 11" thd. one end chrome
1	111-094	1	Hub stainless steel polish	10a	113-1139	1	Pipe 1/4" x 11" thd. one end stn. steel 316
2a	113-006LQ	1	Pipe 1/2" x 3 1/2"	10b	113-1204	1	Pipe 1/4" x 7" thd. one end
2a	113-965	1	Pipe 1/2" x 3 1/2" stainless steel	10b	113-1205	1	Pipe 1/4" x 7" thd. one end stainless steel
2a	113-1211	1	Pipe 1/2" x 3 1/2" stainless steel 316	10b	113-1206	1	Pipe 1/4" x 7" thd. one end chrome
2a	113-596	1	Pipe 1/2" x 3 1/2" chrome	10b	113-1212	1	Pipe 1/4" x 7" thd. one end stn. steel 316
2b	113-006LG	2	Pipe 1/2" x close	10c	169-724	1	Plug 1/4" painted galvanized
2b	113-867	2	Pipe 1/2" x close stainless steel	10c	269-251	1	Plug 1/4" chrome
2b	113-1210	2	Pipe 1/2" x close stainless steel 316	10c	269-238	1	Plug 1/4" stainless steel
2b	113-006aw	2	Pipe 1/2" x close chrome	10c	269-1402	1	Plug 1/4" stainless steel 316
3	169-1090	1	Cross 1/2"	11a	110-239	1	Nut plastic, slip joint
3	169-1091	1	Cross 1/2" stainless steel	11b	110-240	1	Nut, stainless steel slip joint
3	169-1098	1	Cross 1/2" stainless steel 316	11b	110-242	1	Nut, stainless steel 316 slip joint
3	169-1097	1	Cross 1/2" chrome	12	125-176	1	O-ring
4	300-0393	2	Plug 1/2" chrome	13	111-099	1	Bowl mount aluminum
4	153-230	2	Plug 1/2" stainless steel	13	111-100	1	Bowl mount aluminum painted
4	153-460	2	Plug 1/2" stainless steel 316	13	111-101	1	Bowl mount stainless steel
5	S27-327	1	Ball valve 1/2" with nut	13	111-102	1	Bowl mount stainless steel 316
5	S27-328	1	Ball valve 1/2" ss 316 with nut	14	124-082	1	Bowl gasket
5	S27-329	1	Ball valve 1/2" frost proof with nut	15a	187-320	1	Bowl plastic
5	S27-330	1	Ball valve 1/2" ss 316 frost proof with nut	15b	S90-393	1	Bowl stainless steel (includes Item 14)
5.1	110-215	1	Nut	15b	S90-394	1	Bowl stn. steel 316 (includes Item 14)
5.1	110-248	1	Nut stainless steel 316	16	160-467	4	Screw
				17	110-115a	as req'd.	Nut 1/2" NPSM chrome brass
				17	110-238	as req'd.	Nut 1/2" NPSM stainless steel
				17	110-241	as req'd.	Nut 1/2" NPSM stainless steel 316

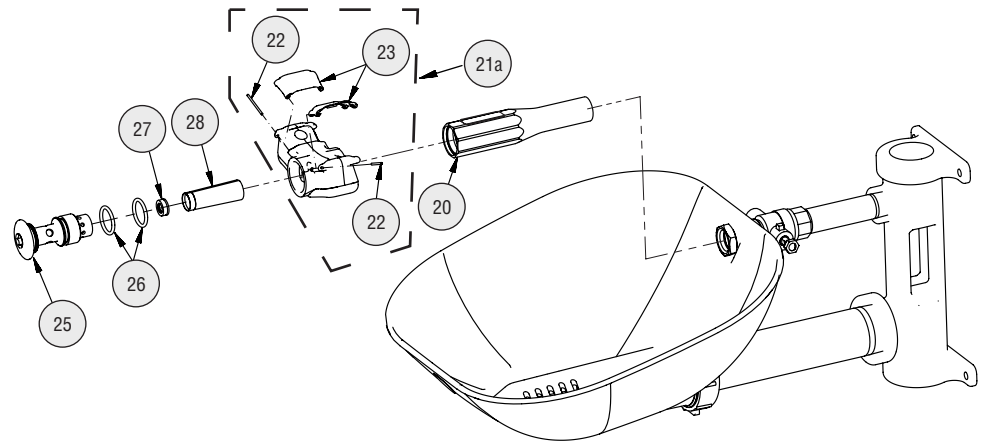
S90-395 Plastic Prepack includes items 10a, 11a, 12, 15a



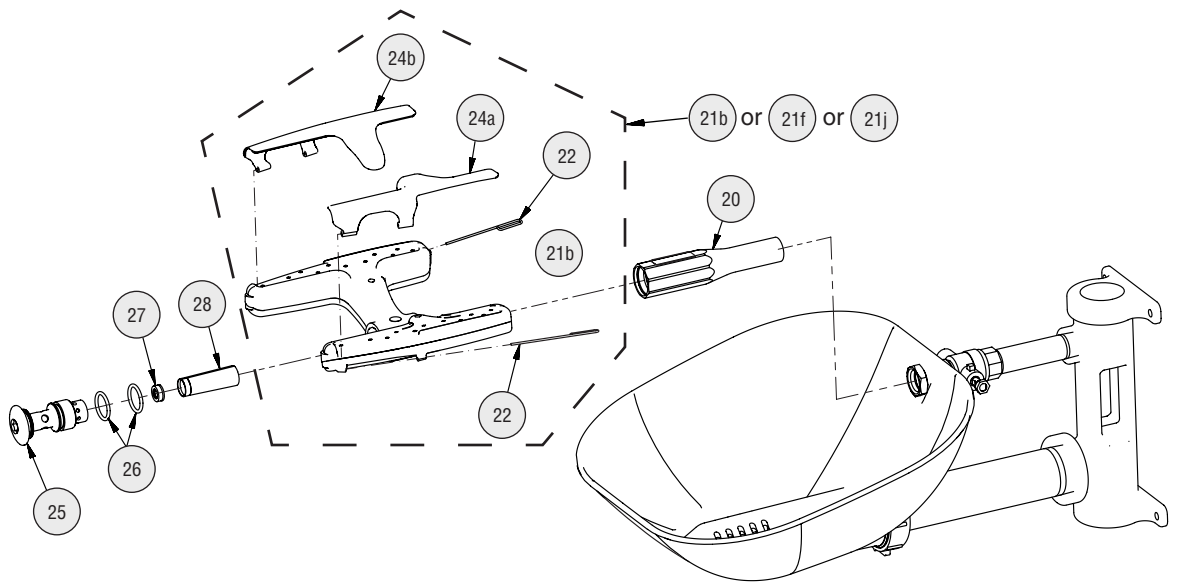
300 Series SS Prepack S90-391 includes items 10b, 11b, 12, 13, 14, 15b
 316 Series SS Prepack S90-392 includes items 10b, 11b, 12, 13, 14, 15b



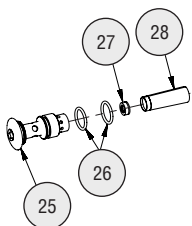
Service Parts — Eyewash



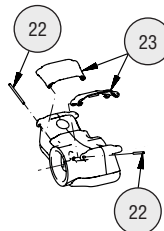
Service Parts — Eye/Face Wash



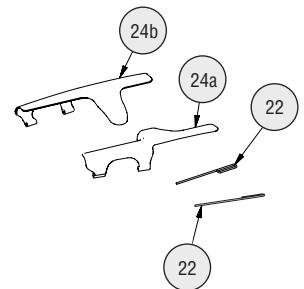
- Prepack S65-339 includes items 26, 27, 28
- Prepack S88-068 includes items 25, 26, 27, 28
- Prepack S88-069 includes items 25, 26, 27, 28 (300 series ss)
- Prepack S88-070 includes items 25, 26, 27, 28 (316 ss)



- Eyewash Cover Prepack S45-2675 includes items 22 and 23

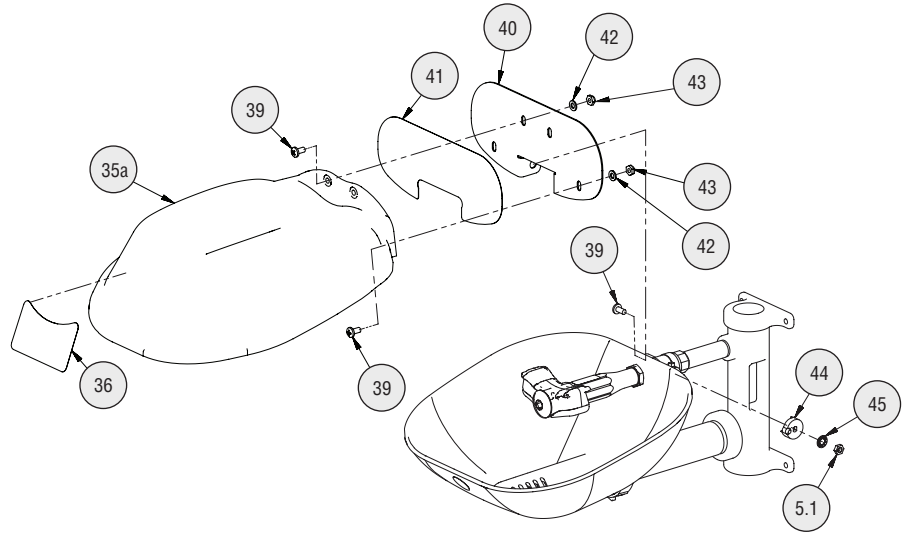
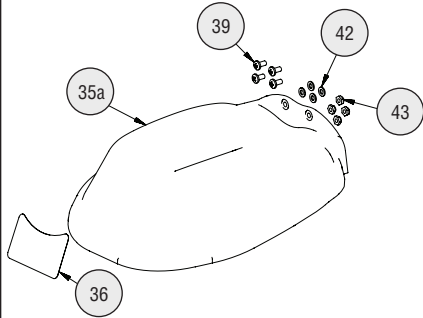


- Eye/Face Wash Cover Prepack S45-2676 includes items 22, 24a and 24b



Service Parts — Plastic Bowl Cover

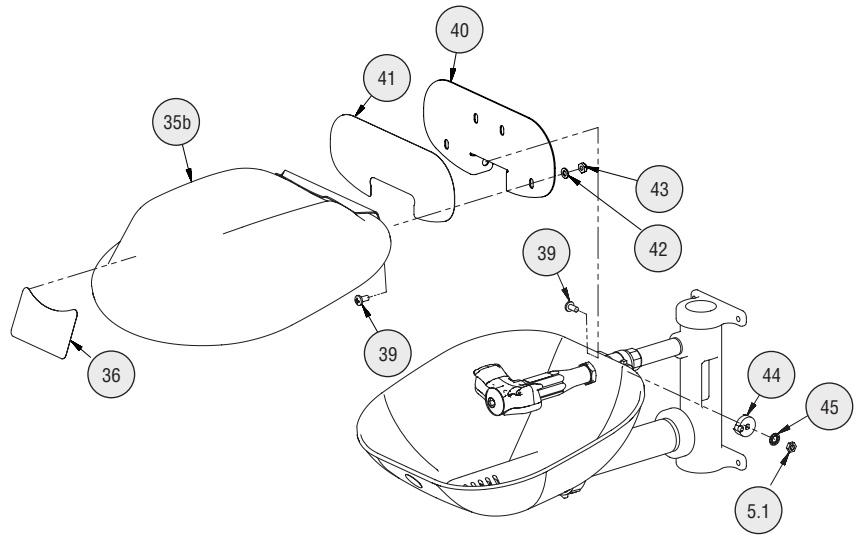
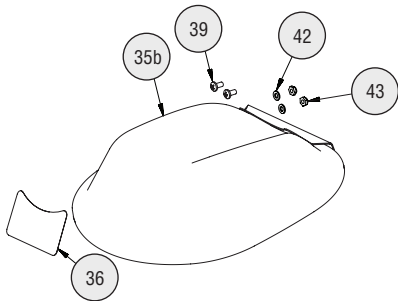
Plastic Bowl Cover Prepack S90-390 includes items 35a, 36, 39, 42, 43



Service Parts — Stainless Steel Bowl Cover

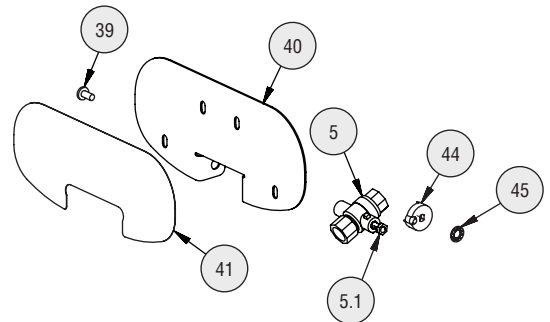
Stainless Steel Bowl Cover Prepack S90-388 includes items 35b, 36, 39, 42, 43

Stainless Steel (316) Bowl Cover Prepack S90-389 includes items 35b, 36, 39, 42, 43



Handle Prepacks include items 39, 40, 41, 44, 45, 5, 5.1

- Prepack S08-390 (for units with brass ball valve)
- Prepack S08-391 (for units with stainless steel ball valve)
- Prepack S08-392 (for units with brass frost-proof ball valve)
- Prepack S08-393 (for units with stainless steel frost-proof ball valve)
- Prepack S08-394 (for units with 316 stainless steel ball valve and handle)
- Prepack S08-395 (for units with 316 stainless steel frost-proof ball valve and handle)



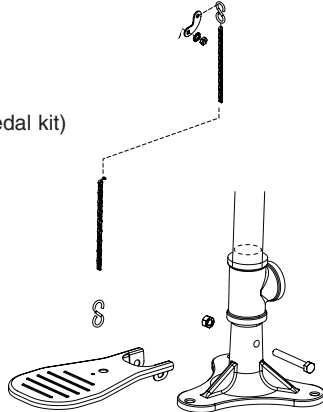
Service Parts List — Eyewash, Eye/Face Wash and Bowl Covers

Item	Part No.	Qty	Description	Item	Part No.	Qty	Description
20	171-001	1	Body	26	125-157	2	O-ring
20	171-002	1	Body stainless steel	27	125-175	1	Flow control
20	171-003	1	Body stainless steel 316	28	S65-340	1	Screen (incl. 3 per pack)
21a	S05-190	1	Sprayhead ass'y. eyewash (includes)	35a	in service kit	1	Bowl cover plastic
22	in service kit	2	Pivot pin	35b	in service kit	1	Bowl cover stainless steel
23	in service kit	2	Flip cover eyewash	35b	in service kit	1	Bowl cover stainless steel 316
21b	S05-192	1	Sprayhead ass'y. eye/face wash (includes)	36	114-097	1	Bowl cover decal
22	in service kit	2	Pivot pin	39	160-389	as req'd.	Screw ¼-20 x ½" stn. steel
24a	in service kit	1	Flip cover right	39	160-469	as req'd.	Screw ¼-20 x ½" stn. steel 316
24b	in service kit	1	Flip cover left	40	S08-385	1	Handle ss (incl. items 41, 44, 45, 5.1)
21f	S05-204	1	Sprayhead stainless steel 304 ass'y. eye/face (includes)	40	S08-388	1	Handle ss 316 (incl. items 41, 44, 45, 5.1)
22	in service kit	2	Pivot pin	41	114-096	1	Decal
24a	in service kit	1	Flip cover right	42	142-002AV	as req'd.	Bowl cover washer
24b	in service kit	1	Flip cover left	43	161-060	as req'd.	Nut stainless steel
21j	S05-205	1	Sprayhead stainless steel 316 ass'y. eye/face (includes)	43	161-062	as req'd.	Nut stainless steel 316
22	in service kit	2	Pivot pin	44	153-372R	1	Adapter ball valve
24a	in service kit	1	Flip cover right	44	153-372R316	1	Adapter ball valve stainless steel 316
24b	in service kit	1	Flip cover left	45	142-002DA	1	Lockwasher
25	115-158	1	Cap				
25	115-159	1	Cap stainless steel				
25	115-164	1	Cap stainless steel 316				

Service Parts and Parts List — Base and Drain

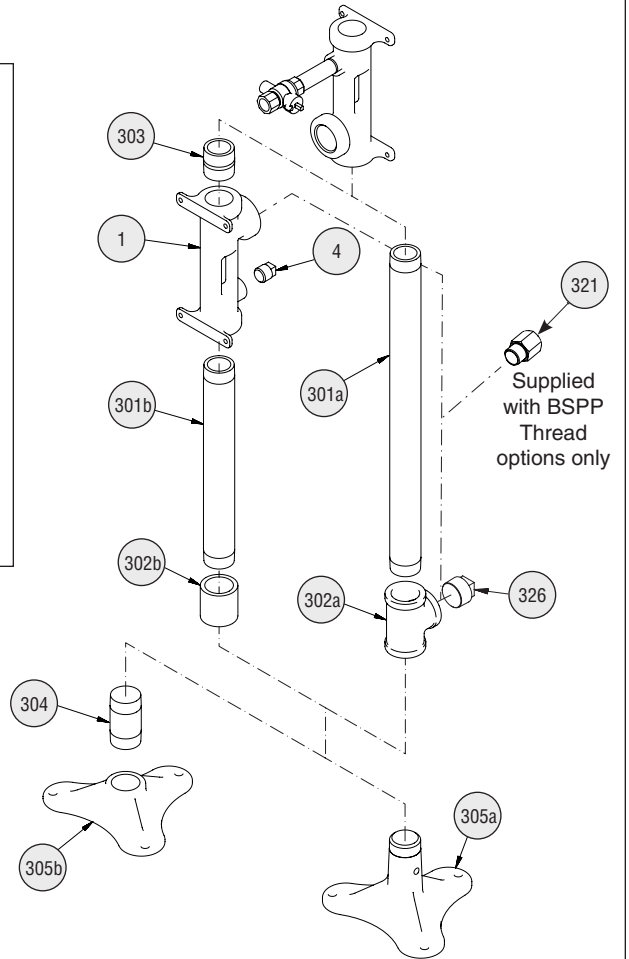
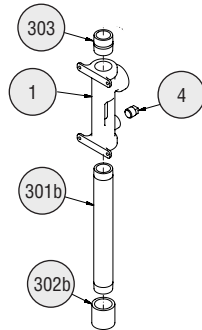
Foot Pedal kits

- S45-572 (standard foot pedal kit)
- S45-1314SS (stainless steel foot pedal kit)
- S45-1314SS16 (316 stainless steel foot pedal kit)



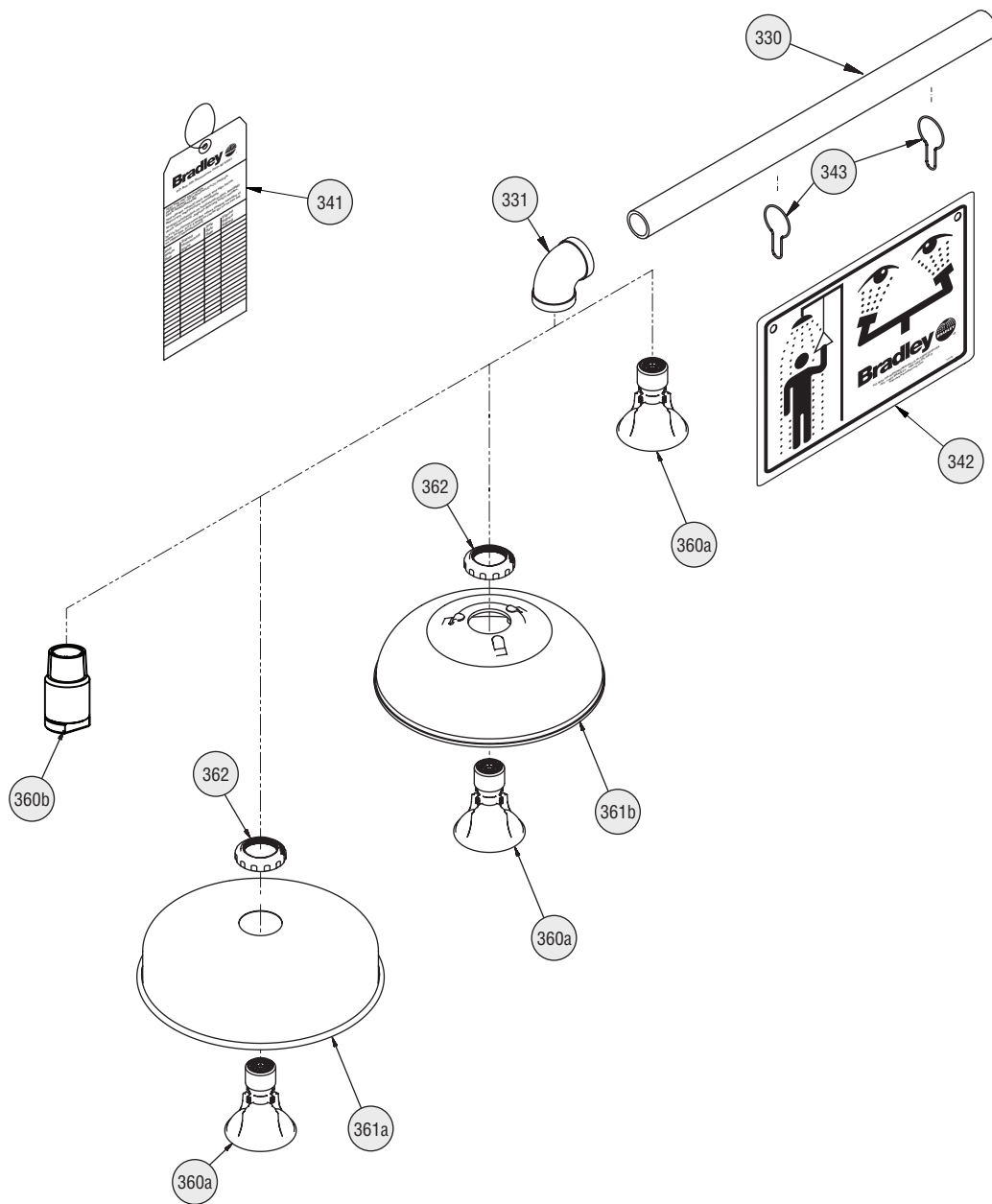
Base and Drain Kits for 24" Drains include items 1, 4, 301b, 302b, 303

- S29-098 (standard)
- S29-099 (stainless steel)
- S29-100 (316 stainless steel)
- S29-101 (chrome)



Item	Part No.	Qty.	Description	Item	Part No.	Qty.	Description
1	111-092	1	Hub	302b	169-853	1	Coupling 1¼" galvanized
1	111-093	1	Hub stainless steel	302b	269-257	1	Coupling 1¼" chrome
1	111-095	1	Hub stainless steel 316	302b	269-1048	1	Coupling 1¼" stainless steel
1	111-094	1	Hub stainless steel polish	302b	269-2016	1	Coupling 1¼" stainless steel 316
4	300-0393	2	Plug ½" chrome	303	113-006NA	1	Pipe 1¼" x close painted galvanized
4	153-230	2	Plug ½" stainless steel	303	113-865	1	Pipe 1¼" x close stainless steel
4	153-460	2	Plug ½" stainless steel 316	303	113-1223	1	Pipe 1¼" x close stainless steel 316
301a	113-1197	1	Pipe 1¼" x 20½"	304	S06-189	1	Plug chrome solid
301a	113-1198	1	Pipe 1¼" x 20½" chrome	305a	131-059	1	Base painted
301a	113-541	1	Pipe 1¼" x 20½" stainless steel	305a	131-062	1	Base stainless steel
301a	113-1213	1	Pipe 1¼" x 20½" stainless steel 316	305a	131-079	1	Base stainless steel 316
301b	113-1217	1	Pipe 1¼" x 12¾"	305b	131-044	1	Base chrome
301b	113-1218	1	Pipe 1¼" x 12¾" chrome	321	169-1117	1	BSPP-NPT 1-1/4" 303SS
301b	113-1219	1	Pipe 1¼" x 12¾" stainless steel	321	169-1118	1	BSPP-NPT 1-1/4" 316SS
301b	113-1220	1	Pipe 1¼" x 12¾" stainless steel 316	326	169-724	1	Plug 1¼" painted galvanized
302a	169-727	1	Tee 1¼" painted galvanized	326	269-251	1	Plug 1¼" chrome
302a	269-237	1	Tee 1¼" stainless steel	326	269-238	1	Plug 1¼" stainless steel
302a	269-1398	1	Tee 1¼" stainless steel 316	326	269-1402	1	Plug 1¼" stainless steel 316
302a	269-253	1	Tee 1¼" chrome				

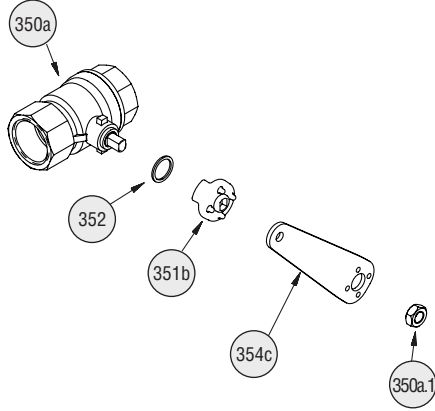
Service Parts — Drench Shower



Service Parts — Drench Shower

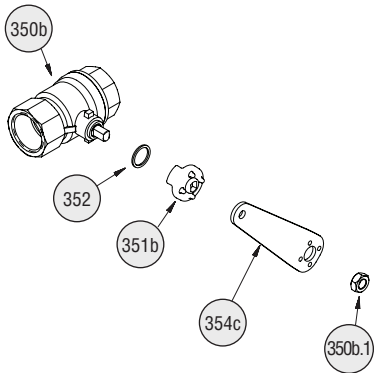
Brass Valve Prepacks include items 350a, 352, 351b, 354c, 350a.1

- S30-059 (for standard brass valve)
- S30-103 (for frost-proof brass valve)
- S30-125 (for frost-proof brass valve 430SS handle)



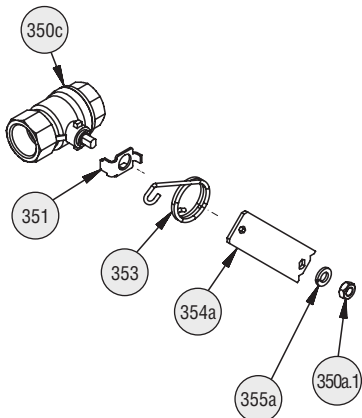
Stainless Steel Valve Prepacks include items 350b, 352, 351b, 354b and 350b.1

- S30-061 (for stainless steel valve)
- S30-081 (for 316 stainless steel valve)
- S30-104 (for frost-proof stainless steel valve)

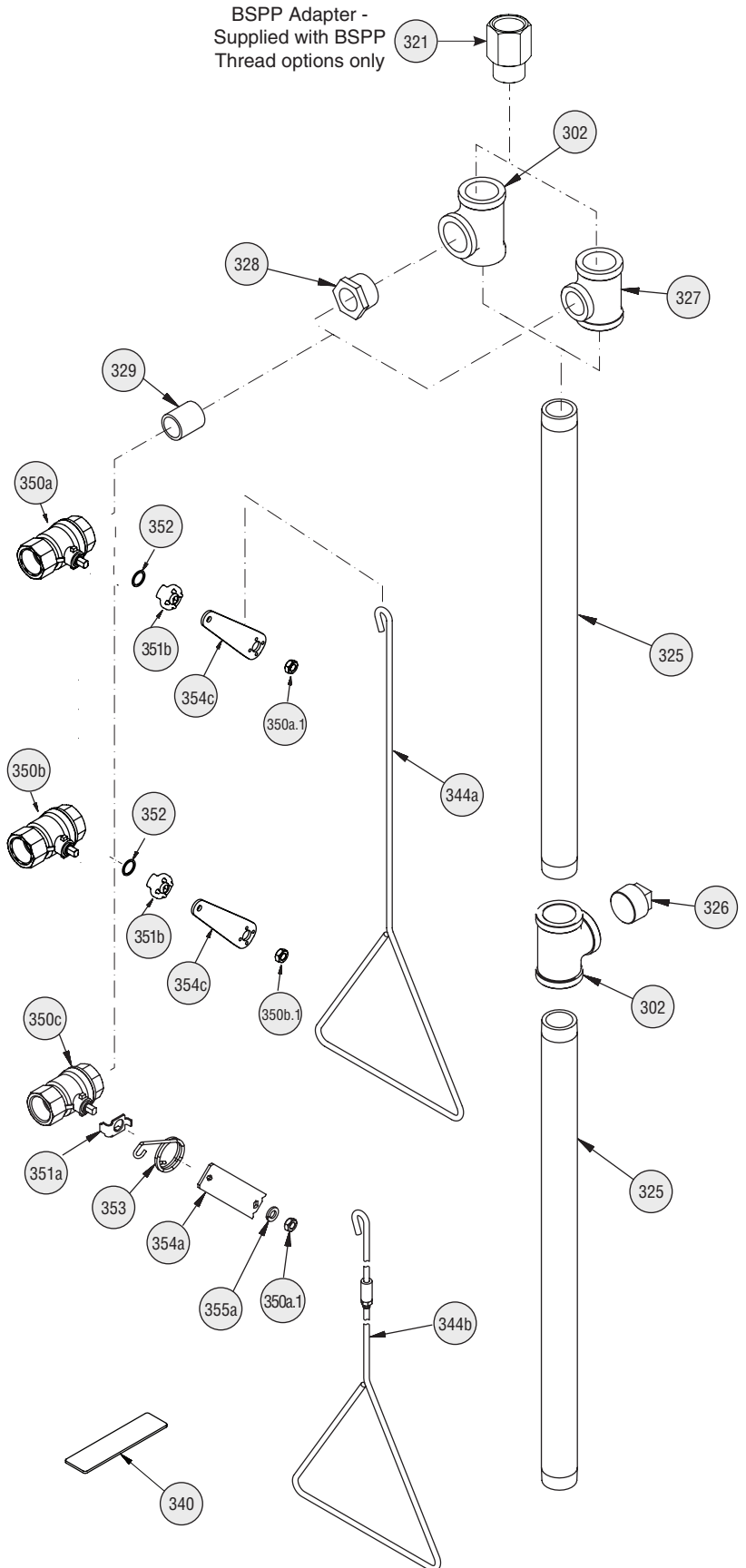


Self-Closing Valve Prepacks

- S19-0011 (for standard brass valve)
 - S30-107 (for frost-proof brass valve)
- includes items 350c, 351, 353, 354a, 355a



BSPP Adapter -
Supplied with BSPP
Thread options only



Parts List — Showerhead and Shower Valves

 **BSP = British Standard Pipe Thread (not available in the U.S.)**

Item	Part No.	Qty	Description	Item	Part No.	Qty	Description
302	169-727	1	Tee 1¼" painted galvanized	341	204-421	1	Emergency Inspection Tag
302	269-237	2	Tee 1¼" stainless steel	342	114-052	1	Safety Sign
302	269-1398	2	Tee 1¼" stainless steel 316	342	114-052E	1	Safety Sign (not available in the U.S.)
302	269-253	1	Tee 1¼" chrome	343	151-001	2	Curtain Hook for Safety Sign
321	169-1117	2	BSPP-NPT 1-1/4" 303SS	344a	128-156A	1	Pull Rod
321	169-1118	2	BSPP-NPT 1-1/4" 316SS	344b	S90-365D	1	Pull Rod ADA
325	113-1199	2	Pipe 1¼" x 26"	344a	128-157	1	Pull Rod stainless steel 316
325	113-1195	2	Pipe 1¼" x 26" stainless steel 316	350a	S27-278	1	Ball valve 1"
325	113-1200	2	Pipe 1¼" x 26" stainless steel	350a	S27-301	1	Ball valve 1" frost proof
325	113-1201	2	Pipe 1¼" x 26" chrome	350a.1	110-214	1	Nut
326	169-724	1	Plug 1¼" painted galvanized	350b	S27-368	1	Ball valve 1" stainless steel
326	269-251	1	Plug 1¼" chrome	350b	S27-369	1	Ball valve 1" stainless steel frost proof
326	269-238	1	Plug 1¼" stainless steel	350b.1	110-264	1	Nut, SS 316
326	269-1402	1	Plug 1¼" stainless steel 316	350c	S27-286	1	Ball valve 1" self-closing
327	169-722	1	Tee 1¼" x 1" x 1¼"	351a	140-720	1	Bracket stop ball
327	269-249	1	Tee 1¼" x 1" x 1¼" chrome	351b	153-489	1	Adapter, SS
328	269-1400	1	Reducer 1¼" x 1" stainless steel 316	351b	153-496	1	Adapter, SS316
328	269-236	1	Reducer 1¼" x 1" stainless steel	352	124-048	1	Washer flat
329	113-006LN	1	Pipe 1" x close painted galvanized	353	S19-001	1	Spring
329	113-1214	1	Pipe 1" x close stainless steel 316	354a	128-129	1	Handle
329	113-006NL	1	Pipe 1" x close stainless steel	354c	128-205	1	Handle SS316
329	113-625	1	Pipe 1" x close chrome	354c	128-178	1	Handle SS430
330	113-006MT	1	Pipe 1" x 21" painted galvanized	354c	128-201	1	Handle SS
330	113-1215	1	Pipe 1" x 21" stainless steel 316	355a	142-002DC	1	Lockwasher ⅜"
330	113-864	1	Pipe 1" x 21" stainless steel	360a	S24-188	1	Drench shower assembly
330	113-1216	1	Pipe 1" x 21" chrome	360b	S24-191	1	Drench shower stainless steel
331	169-847	1	Elbow 1" painted galvanized	360b	S24-201	1	Drench shower stainless steel 316
331	169-1073	1	Elbow 1" chrome	361a	187-053	1	Shroud stainless steel
331	169-1074	1	Elbow 1" stainless steel	361b	154-058	1	Shroud plastic
331	169-1075	1	Elbow 1" stainless steel 316	362	154-147	1	Shroud ring
340	269-915	1	Rubber Grip Pad				

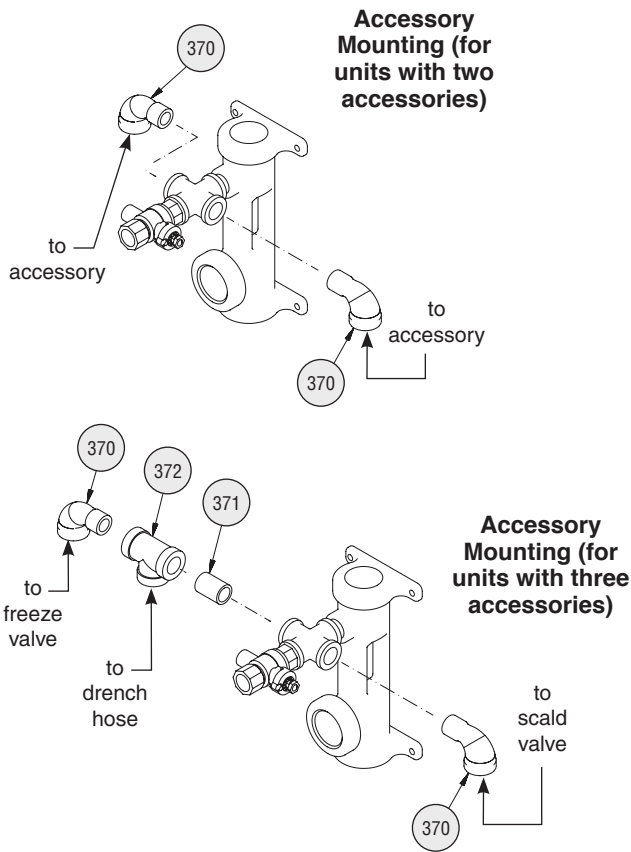
Service Parts and Parts List — Optional Accessories



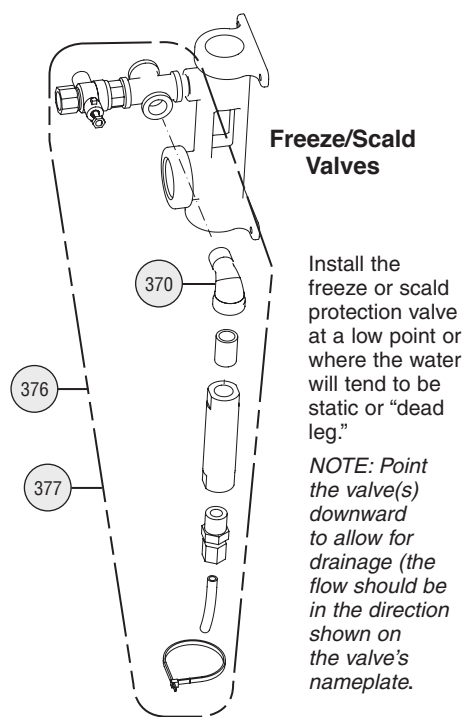
To prevent an ice patch hazard, Bradley recommends that discharge from the valve be directed through a hose or piping to the waste. Discharge hoses or piping should be short so that there is no standing water that may freeze.

To prevent restriction in the tube, make sure the pipe tie straps are snug around the tube and piping but not overtightened.

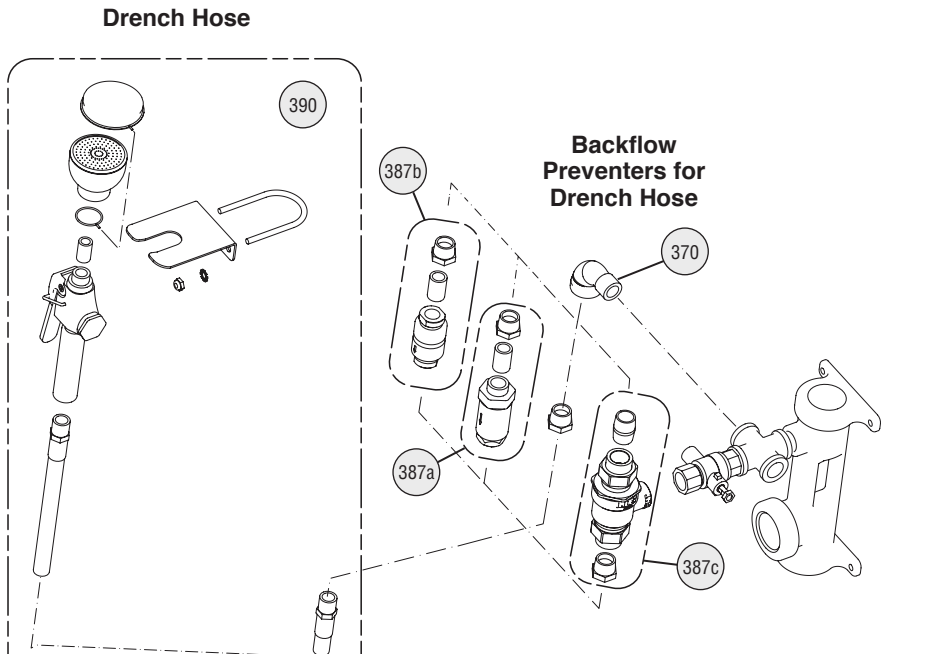
For best results units should be top supplied when using scald and freeze valves.



Item	Part No.	Qty.	Description
370	169-025	as req'd.	Elbow 1/2"
370	269-241	as req'd.	Elbow 1/2" stainless steel
370	269-1396	as req'd.	Elbow 1/2" stainless steel 316
370	169-862	as req'd.	Elbow 1/2" chrome
371	113-006LG	1	Pipe 1/2" x close
371	113-867	1	Pipe 1/2" x close stainless steel
371	113-1210	1	Pipe 1/2" x close stainless steel 316
371	113-006AW	1	Pipe 1/2" x close chrome
372	169-838	1	Tee 1/2"
372	169-1100	1	Tee 1/2" stainless steel
372	269-280	1	Tee 1/2" chrome
372	169-1099	1	Tee 1/2" stainless steel 316



Item	Part No.	Description
376	S45-1986	Freeze Valve kit
377	S45-1989	Scald Valve kit



Item	Part No.	Qty.	Description
387a	S27-303	1	Vacuum breaker in-line 3/8"
387b	S45-2309	1	Backflow preventer N9
387c	S45-2310	1	Backflow preventer 9D
390	S19-430EH	1	Spray Kit

Renseignements de sécurité

Afin d'assurer un fonctionnement adéquat :

Installation

Cet appareil a été conçu et mis à l'essai par une tierce partie afin de se conformer à la norme ANSI/ISEA Z358.1. Le système doit être testé périodiquement afin de s'assurer de son bon fonctionnement et qu'il se conforme à la norme. Prière de consulter la norme ANSI/ISEA Z358.1 au sujet des exigences de test.

L'installation, l'entretien et l'emplacement de toutes les douches d'urgence, oculaires et oculaires-faciales doivent être conformes aux exigences de la norme ANSI Z358.1. Les ouvriers susceptibles d'entrer en contact avec des matières potentiellement dangereuses doivent recevoir une formation sur la mise en place et le bon fonctionnement du matériel d'urgence conformément à la norme ANSI/ISEA Z358.1.

La norme ANSI/ISEA Z358.1 exige que cet appareil soit utilisé avec une source ininterrompue d'eau tiède propre, potable. Les appareils d'urgence Bradley à raccord de plomberie exigent une pression d'écoulement d'au moins 30 lb/po2 pour fonctionner tel que calculé et se conformer à la norme ANSI/ISEA Z358.1.

Les soupapes à ressort à fermeture automatique ne sont pas classifiées UL selon ANSI/ISEA Z358.1.

S'assurer avant l'installation que cet équipement se conformera aux exigences relatives aux contaminants potentiels dangereux de votre emplacement.

L'installation de ce système doit être confiée à des plombiers qualifiés conformément aux réglementations en vigueur. La mise en conformité et le respect des normes d'écoulement et autre réglementation en vigueur relèvent de la responsabilité de l'installateur.

Inspections hebdomadaires

Pour s'assurer que tous les appareils de douche d'urgence et de douche oculaire et faciale sont prêts à l'emploi en cas de besoin, des contrôles et un entretien doivent être effectués à intervalles réguliers. Des inspections hebdomadaires doivent être effectuées sur tout le matériel de sécurité pour s'assurer qu'il y a une alimentation suffisante en liquide de rinçage et que le matériel est en bon état de fonctionnement.

Température de l'eau

ANSI/ISEA Z358.1 exige une eau tiède. La plage qui convient est de 16 °C à 38 °C (60 °F à 100 °F). Des lésions corporelles sont possibles en dehors de cette plage de température.

Equipements nécessaires :

- (3) ancrages au sol et boulons de 3/8"
- Produit d'étanchéité pour tuyaux
- Pression d'écoulement de 30 PSI (2,0 bar) min/90 PSI (6,1 bar) max
- Pression statique de 125 PSI (8,6 bar) max
- Tuyauterie vers entrée d'alimentation de 1 1/4 po NPT (BSPP) (30 à 90 psi [2,0 à 6,1 bar])
- Tuyau de vidange de 1 1/4" NPT (s'il est incluse avec l'unité)
- Supports adéquats pour la tuyauterie d'alimentation
- Un renvoi de 4" minimum pour la douche d'urgence assurant une capacité de vidange de 30 gal/mn (115 l/mn)
- Quincaillerie pour l'installation de l'enseigne (en option)



Les codes locaux peuvent exiger l'installation d'une soupape de prévention d'écoulement de retour pour réaliser une installation appropriée. L'installateur est responsable de la conformité aux codes locaux. La soupape doit être testée une fois par an pour vérifier qu'elle fonctionne correctement. Les soupapes de prévention d'écoulement de retour ne sont pas fournies avec l'appareil et peuvent être fournies par l'entrepreneur ou achetées auprès de Bradley Corporation.

Modèles préconfigurés Halo

Numéro de modèle Halo	Description	Certifié UL suivant ANSI/ ISEA
Douches oculaires		
<input type="checkbox"/> S19314EW	Douche oculaire Halo, pomme de douche / vasque en plastique	X
<input type="checkbox"/> S19314P	Douche oculaire Halo, pomme de douche / vasque en plastique avec tuyau de lavage	X
<input type="checkbox"/> S19314SB	Douche oculaire Halo, pomme de douche en plastique, vasque en acier inoxydable	X
<input type="checkbox"/> S19314LL	Douche oculaire Halo, pomme de douche en plastique, vasque en acier inoxydable, activation à la main/au pied	X
<input type="checkbox"/> S19314F	Douche oculaire Halo, pomme de douche en plastique avec gaine et vasque en acier inoxydable	X
<input type="checkbox"/> S19314UU	Douche oculaire Halo, pomme de douche en plastique avec gaine et vasque en acier inoxydable, douche oculaire activée à la main/au pied	X
Douches oculaires avec cache-poussière		
<input type="checkbox"/> S19314PDC	Douche oculaire Halo, pomme de douche / vasque en plastique avec cache-poussière	X
<input type="checkbox"/> S19314DC	Douche oculaire Halo, pomme de douche en plastique, vasque et cache-poussière à charnières en acier inoxydable	X
Douches oculaires-faciales		
<input type="checkbox"/> S19314FW	Douche oculaire-faciale Halo, pomme de douche / vasque en plastique	X
<input type="checkbox"/> S19314SBFW	Douche oculaire-faciale Halo, pomme de douche en plastique, vasque en acier inoxydable	X
<input type="checkbox"/> S19314AC	Douche oculaire-faciale Halo, pomme de douche en plastique, vasque en acier inoxydable, douche oculaire activée à la main/au pied	X
<input type="checkbox"/> S19314TT	Douche oculaire-faciale Halo, pomme de douche en plastique avec gaine et vasque en acier inoxydable	X
<input type="checkbox"/> S19314SPR	Douche oculaire-faciale Halo, pomme de douche / vasque en acier inoxydable, douche oculaire activée à la main/au pied	X
<input type="checkbox"/> S19314BFPB	Douche oculaire-faciale Halo, accès immédiat, pomme de douche / vasque en plastique	X
<input type="checkbox"/> S19314BF	Douche oculaire-faciale Halo, accès immédiat, pomme de douche en plastique, vasque en plastique	X
Douches oculaires-faciales avec cache-poussière		
<input type="checkbox"/> S19314PDCFW	Douche oculaire-faciale Halo, pomme de douche / vasque en plastique avec cache-poussière	X
<input type="checkbox"/> S19314DCFW	Douche oculaire-faciale Halo, pomme de douche en plastique, vasque et cache-poussière à charnières en acier inoxydable	X
<input type="checkbox"/> S19314DCBF	Douche oculaire-faciale Halo, accès immédiat, pomme de douche en plastique, vasque en plastique avec cache-poussière	X
Douches oculaires-faciales sans vasque		
<input type="checkbox"/> S19314GG	Douche oculaire-faciale Halo, pomme de douche en plastique, sans vasque	X
Douche oculaire-faciale tout inox		
<input type="checkbox"/> S19314BFSS	Douche oculaire-faciale et pomme de douche en acier inoxydable Halo, accès immédiat	X
<input type="checkbox"/> S19314FSS	Douche oculaire-faciale et pomme de douche en acier inoxydable Halo	X
<input type="checkbox"/> S19314SC	Douche oculaire-faciale, vasque, cache-poussière et pomme de douche en acier inoxydable Halo	X
<input type="checkbox"/> S19314SS	Douche oculaire-faciale et pomme de douche en acier inoxydable Halo, activation au pied	X
<input type="checkbox"/> S19314SS16	Douche oculaire-faciale et pomme de douche en acier inoxydable 316 Halo, activation au pied	X

Modèles préconfigurés Halo

Tous les modèles à certification AS4775, AS/NZS 4020 sont à filetage BSPP.

Numéro de modèle Halo	Description	Certifié IAPMO Oceana suivant AS4775 et AS4020
Douches oculaires		
<input type="checkbox"/> S19314EWZ	Douche oculaire Halo, pomme de douche et vasque plastique	
<input type="checkbox"/> S19314EWZS	Douche oculaire Halo, pomme de douche et vasque plastique, tuyauterie acier inoxydable	X
<input type="checkbox"/> S19314SBZ	Douche oculaire Halo, pomme de douche plastique, vasque acier inoxydable	
<input type="checkbox"/> S19314SBZS	Douche oculaire Halo, pomme de douche plastique, vasque acier inoxydable, tuyauterie acier inoxydable	X
<input type="checkbox"/> S19314LLZ	Douche oculaire Halo, pomme de douche plastique, vasque acier inoxydable, activée main/pied	
<input type="checkbox"/> S19314LLZS	Douche oculaire Halo, pomme de douche plastique, vasque acier inoxydable, activée main/pied, tuyauterie acier inoxydable	X
<input type="checkbox"/> S19314FZ	Douche oculaire Halo, pomme de douche plastique, coiffe et vasque acier inoxydable	
<input type="checkbox"/> S19314FZS	Douche oculaire Halo, pomme de douche plastique, coiffe et vasque acier inoxydable, tuyauterie acier inoxydable	X
<input type="checkbox"/> S19314UUZ	Douche oculaire Halo, pomme de douche plastique, coiffe et vasque acier inoxydable, douche oculaire à commande main/pied	
<input type="checkbox"/> S19314UUZS	Douche oculaire Halo, pomme de douche plastique, coiffe et vasque acier inoxydable, douche oculaire à commande main/pied, tuyauterie acier inoxydable	X
<input type="checkbox"/> S19314PZ	Douche oculaire Halo, pomme de douche et vasque plastique avec douchette	
Douches oculaires à cache-poussière		
<input type="checkbox"/> S19314PDCZ	Douche oculaire Halo, pomme de douche et vasque à cache-poussière plastique	
<input type="checkbox"/> S19314PDCZS	Douche oculaire Halo, pomme de douche et vasque à cache-poussière plastique, tuyauterie acier inoxydable	X
<input type="checkbox"/> S19314DCZ	Douche oculaire Halo, pomme de douche plastique, vasque et cache-poussière à charnières en acier inoxydable	
<input type="checkbox"/> S19314DCZS	Douche oculaire Halo, pomme de douche plastique, vasque et cache-poussière à charnières en acier inoxydable, tuyauterie acier inoxydable	X
Douches oculaires et faciales		
<input type="checkbox"/> S19314FWZ	Douche oculaire/faciale Halo, pomme de douche et vasque plastique	
<input type="checkbox"/> S19314FWZS	Douche oculaire/faciale Halo, pomme de douche et vasque plastique, tuyauterie acier inoxydable	X
<input type="checkbox"/> S19314SBFWZ	Douche oculaire/faciale Halo, pomme de douche plastique, vasque acier inoxydable	
<input type="checkbox"/> S19314SBFWZS	Douche oculaire/faciale Halo, pomme de douche plastique, vasque acier inoxydable, tuyauterie acier inoxydable	X
<input type="checkbox"/> S19314ACZ	Douche oculaire/faciale Halo, pomme de douche plastique, vasque acier inoxydable, douche oculaire à commande main/pied	
<input type="checkbox"/> S19314ACZS	Douche oculaire/faciale Halo, pomme de douche plastique, vasque acier inoxydable, douche oculaire à commande main/pied, tuyauterie acier inoxydable	X
<input type="checkbox"/> S19314TTZ	Douche oculaire/faciale Halo, pomme de douche plastique, coiffe et vasque acier inoxydable	
<input type="checkbox"/> S19314TTZS	Douche oculaire/faciale Halo, pomme de douche plastique, coiffe et vasque acier inoxydable, tuyauterie acier inoxydable	X
<input type="checkbox"/> S19314SPRZ	Douche oculaire/faciale Halo, pomme de douche et vasque acier inoxydable, douche oculaire à commande main/pied	
<input type="checkbox"/> S19314SPRZS	Douche oculaire/faciale Halo, pomme de douche et vasque acier inoxydable, douche oculaire à commande main/pied, tuyauterie acier inoxydable	X
<input type="checkbox"/> S19314BFPBZ	Douche oculaire/faciale Halo, accès facile, pomme de douche et vasque plastique	
<input type="checkbox"/> S19314BFPBZS	Douche oculaire/faciale Halo, accès facile, pomme de douche et vasque plastique, tuyauterie acier inoxydable	X
<input type="checkbox"/> S19314BFZ	Douche oculaire/faciale Halo, accès facile, pomme de douche plastique, vasque acier inoxydable	
<input type="checkbox"/> S19314BFZS	Douche oculaire/faciale Halo, accès facile, pomme de douche, vasque acier inoxydable, tuyauterie acier inoxydable	X

Modèles préconfigurés Halo

Tous les modèles à certification AS4775, AS/NZS 4020 sont à filetage BSPP.

Numéro de modèle Halo	Description	Certifié IAPMO Oceana suivant AS4775 et AS4020
Douches oculaires et faciales à cache-poussière		
<input type="checkbox"/> S19314PDCFVZ	Douche oculaire/faciale Halo, pomme de douche et vasque à cache-poussière à charnières en plastique	
<input type="checkbox"/> S19314PDCFVZS	Douche oculaire/faciale Halo, pomme de douche et vasque à cache-poussière à charnières en plastique, tuyauterie acier inoxydable	X
<input type="checkbox"/> S19314DCFVZ	Douche oculaire/faciale Halo, pomme de douche plastique, vasque et cache-poussière à charnières en acier inoxydable	
<input type="checkbox"/> S19314DCFVZS	Douche oculaire/faciale Halo, pomme de douche plastique, vasque et cache-poussière à charnières en acier inoxydable, tuyauterie acier inoxydable	X
<input type="checkbox"/> S19314DCBFZ	Douche oculaire/faciale Halo, accès facile, pomme de douche plastique, vasque à cache-poussière à charnières en acier inoxydable	
<input type="checkbox"/> S19314DCBFZS	Douche oculaire/faciale Halo, accès facile, pomme de douche plastique, vasque à cache-poussière à charnières en acier inoxydable, tuyauterie acier inoxydable	X
Douches oculaires et faciales sans vasque		
<input type="checkbox"/> S19314GGZ	Douche oculaire/faciale Halo, pomme de douche, sans vasque	
<input type="checkbox"/> S19314GGZS	Douche oculaire/faciale Halo, pomme de douche plastique, sans vasque, tuyauterie acier inoxydable	X
Douches oculaires et faciales toutes en acier inoxydable		
<input type="checkbox"/> S19314BFSSZ	Douche oculaire/faciale et pomme de douche en acier inoxydable Halo, accès facile	X
<input type="checkbox"/> S19314FSSZ	Douche oculaire/faciale et pomme de douche en acier inoxydable Halo	X
<input type="checkbox"/> S19314SCZ	Douche oculaire/faciale, vasque, cache-poussière et pomme de douche en acier inoxydable Halo	X
<input type="checkbox"/> S19314SSZ	Douche oculaire/faciale et pomme de douche en acier inoxydable Halo avec activation main/pied	X
<input type="checkbox"/> S19314SS16Z	Douche oculaire/faciale et pomme de douche en acier inoxydable 316 Halo avec activation main/pied	X

Configuration du produit

Sélections standard (devez sélectionner un de chaque catégorie)

Configuration

- A** Hauteur de vidange 6" sans barrière
- B** Hauteur de vidange 24"
- C** Hauteur de vidange 24" sans barrière
- O** Hauteur de vidange standard 6"

Tuyau

- A** Acier inox NPT galvanisé avec jaune BradTect®
- B** Acier inox 304 NPT
- C** Acier inox 316 NPT*
- D** Laiton chromé NPT
- F** BSPP, Acier inox galvanisé avec jaune BradTect®‡
- G** BSPP, Acier inox 304‡
- H** BSPP, Acier inox 316‡
- J** BSPP, Laiton chromé‡

Robinet

- 1** Restant ouvert (douche d'urgence et douche oculaire), laiton chromé
- 2** Restant ouvert (douche d'urgence et douche oculaire), 316 SS
- 3** Fermeture automatique (douche d'urgence) et restant ouvert (douche oculaire), laiton chromé**

Tête de douche

- A** Tête de douche plastique
- B** Tête de douche plastique avec pommeau en plastique
- C** Tête de douche plastique avec pommeau en acier inox
- D** Tête de douche acier inox 304 haute performance
- E** Tête de douche acier inox 316 haute performance

Douche oculaire – faciale

- A** Douche oculaire Halo
- B** Douche oculaire/faciale Halo
- D** Douche oculaire Halo, guidon acier inox 304
- E** Douche oculaire/faciale Halo, guidon acier inox 304
- F** Douche oculaire/faciale inox 304 Halo, guidon acier inox 304‡
- G** Douche oculaire Halo, guidon acier inox 316
- H** Douche oculaire/faciale Halo, guidon acier inox 316
- J** Douche oculaire/faciale inox 316 Halo, guidon acier inox 316‡

* Non disponible avec configurations sans barrière.

** Les soupapes à ressort à fermeture automatique ne sont pas classifiées UL selon ANSI/ISEA Z358.1.

‡ Non disponible aux États-Unis

† Doit sélectionner un tuyau en acier inoxydable et robinet lorsque le lavage douche oculaire/faciale en acier inoxydable est nécessaire.

Récepteur avec couvercle anti-poussières

- A** Récepteur plastique, sans couvercle anti-poussières
- B** Récepteur plastique, couvercle anti-poussières plastique
- D** Récepteur acier inox 304, sans couvercle anti-poussières
- E** Récepteur acier inox 304, couvercle anti-poussières acier inox 304
- F** Récepteur acier inox 304, couvercle anti-poussières plastique
- G** Récepteur acier inox 316, sans couvercle anti-poussières
- H** Récepteur acier inox 316, couvercle anti-poussières acier inox 316
- J** Récepteur acier inox 316, couvercle anti-poussières plastique
- O** Pas de récepteur, pas de couvercle anti-poussières

Activation

- A** Manette acier inox 300
- B** Manette acier inox 316
- C** Manette acier inox 300 avec pédale acier inox 300
- D** Manette acier inox 300 avec pédale acier inox 316*
- E** Manette acier inox 316 avec pédale acier inox 316*

Gicleur et Prévention d'écoulement de retour

- A** Gicleur avec dispositif la prévention des casse-vide
- B** Gicleur avec dispositif de prévention d'écoulement de retour N9
- C** Gicleur avec dispositif de prévention d'écoulement de retour 9D
- D** Gicleur sans prévention d'écoulement de retour
- O** Pas de gicleur, pas de prévention d'écoulement de retour
- Z** Connexions pour le gicleur (le gicleur n'est pas inclus)

Vanne antigel et vanne anti-échaudage

- N** Vanne antigel
- P** Vanne anti-échaudage
- R** Vanne antigel et vanne anti-échaudage
- O** Pas de vanne antigel, pas de vanne anti-échaudage
- Z** Connexions pour les vannes (les vannes ne sont pas inclus)

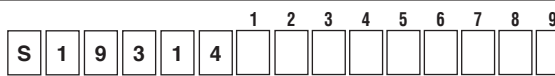
NPT = National Pipe Thread

BSPP = Filetage British Standard Pipe Parallel (non disponible aux États-Unis)

Toutes les sélections effectuées à l'aide du configurateur sont uniquement certifiées UL suivant ANSI/ISEA Z358.1

Comment spécifier le modèle et les spécifications des produits Bradley :

Modèle.....S19314



1. Configuration

2. Tuyau

3. Robinet

4. Tête de douche

5. Douche oculaire – faciale

6. Récepteur avec couvercle anti-poussières

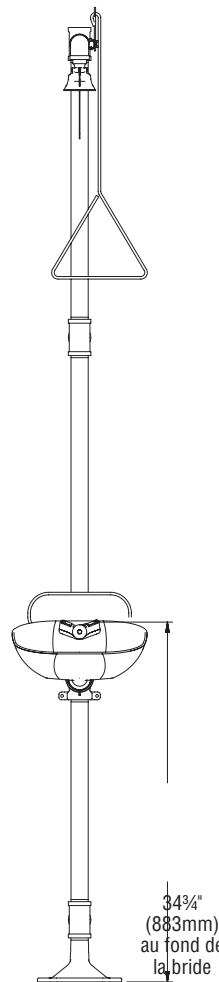
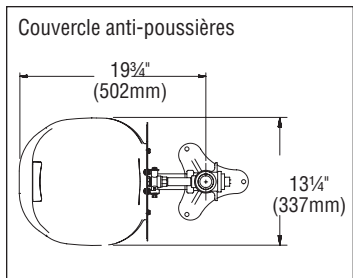
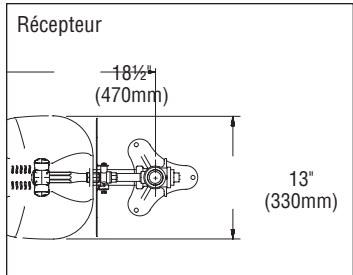
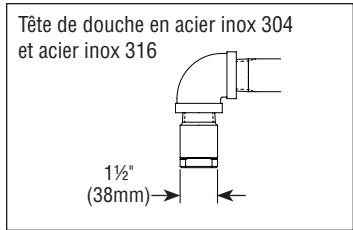
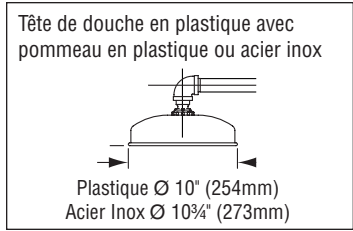
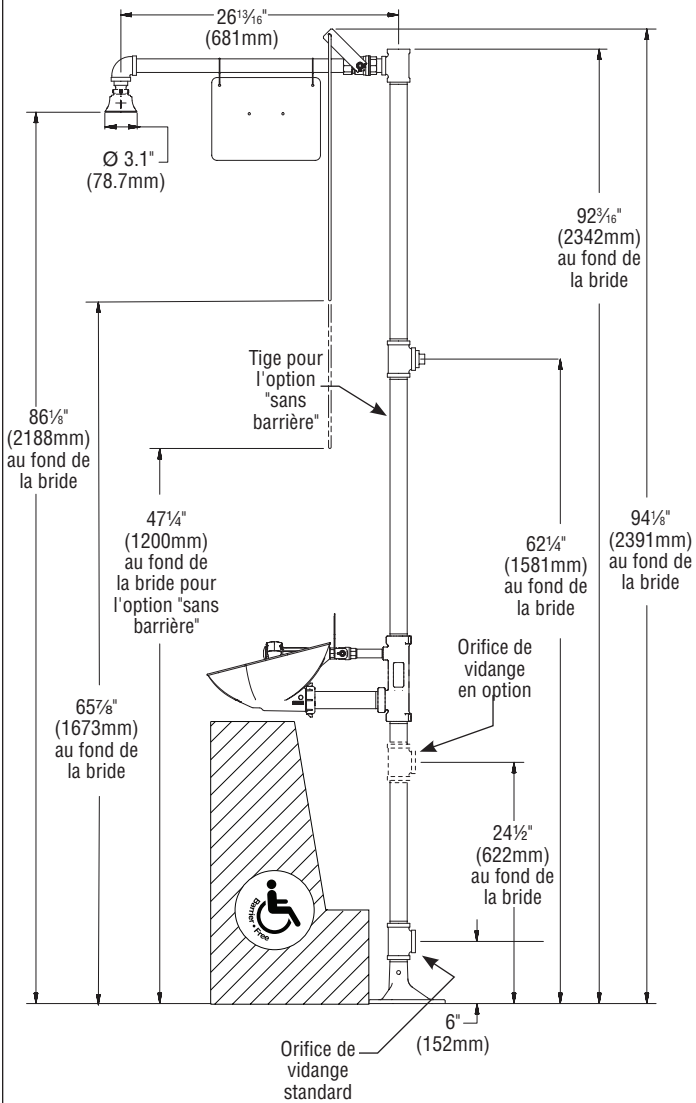
7. Activation

8. Gicleur et Prévention d'écoulement de retour

9. Vanne antigel et vanne anti-échaudage

Dimensions

S19314 montré avec récepteur en plastique et tête de douche en plastique



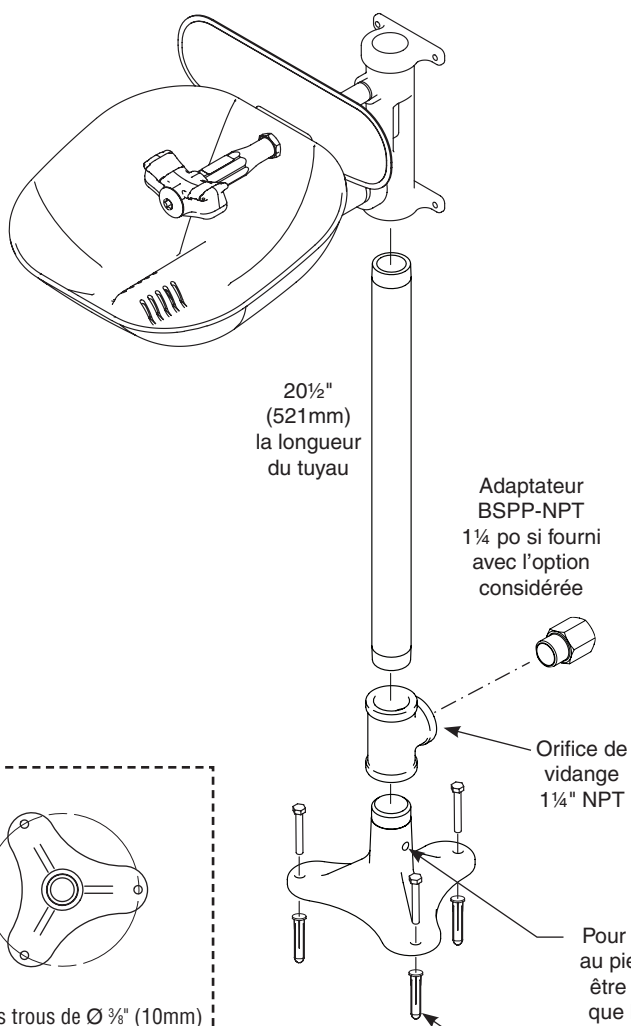
Toutes les dimensions supposent un engagement de filetage standard. Les variations de fabrication prévoient +/- 3,1 mm (1/8") par joint fileté. Pour trouver la tolérance d'une dimension, ajouter le nombre de joints filetés entre une dimension et le multiplier par 3,1 mm (1/8").

Débit d'eau	
Tête de douche	20–26 gpm
Douche oculaire	4–5 1/4 gpm
Douche oculaire/faciale	4–5 1/4 gpm
Douche pour le corps	2–8 gpm

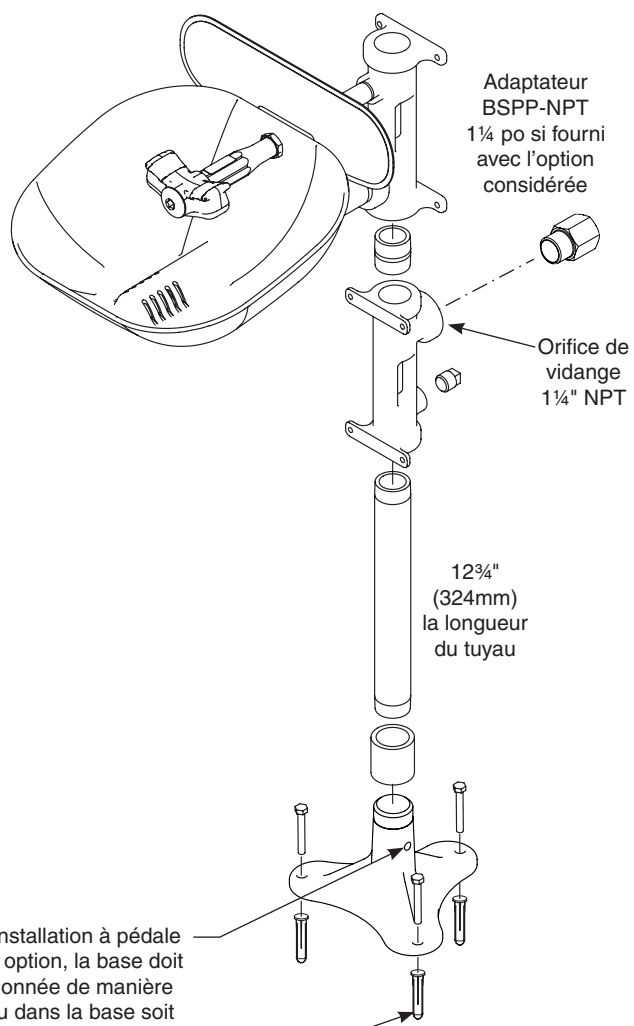
1 Assemblage — Bride et douche oculaire

- ☑ Douche oculaire standard illustrée. Les autres unités sont similaires.
- ☑ Connectez les composants avant de fixer la base au sol. Utilisez des tampons autour des tuyaux pour ne pas les endommager lors du serrage.
- ☑ Mettez du produit d'étanchéité (non fourni) sur tous les filetages mâles. Ne laissez pas le produit d'étanchéité à déborder sur le bord des tuyaux.

Unité de Halo avec l'option de vidange standard



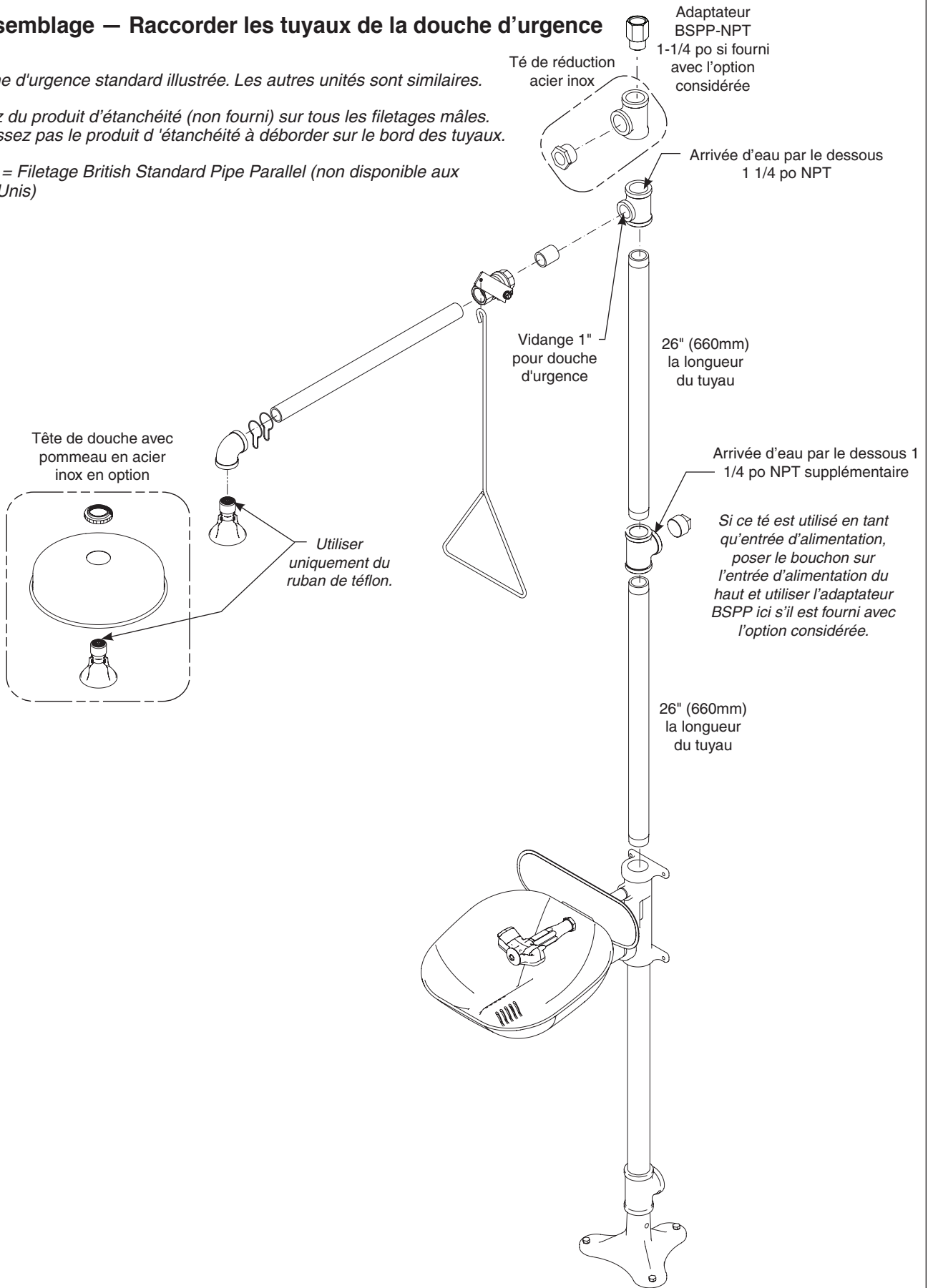
Unité de Halo avec l'option de vidange de 24"



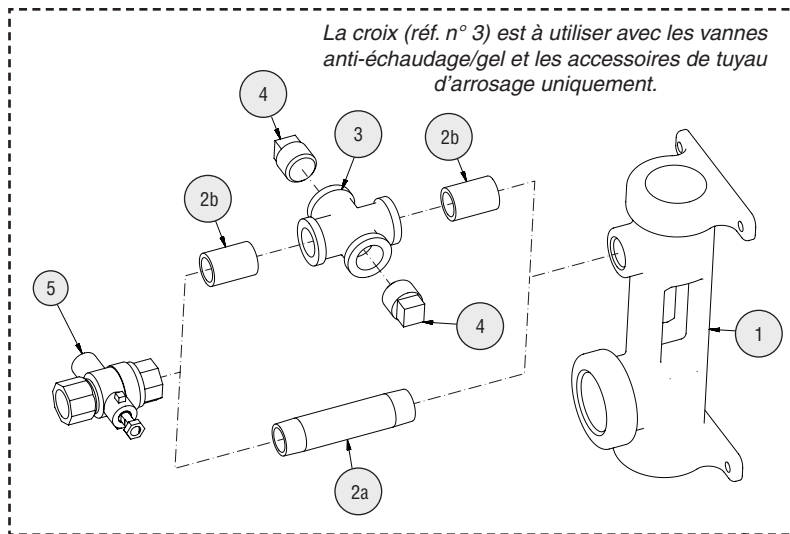
Vissez la bride dans
les ancrages à l'aide
des vis de 3/8" (non
fournies).

2 Assemblage — Raccorder les tuyaux de la douche d'urgence

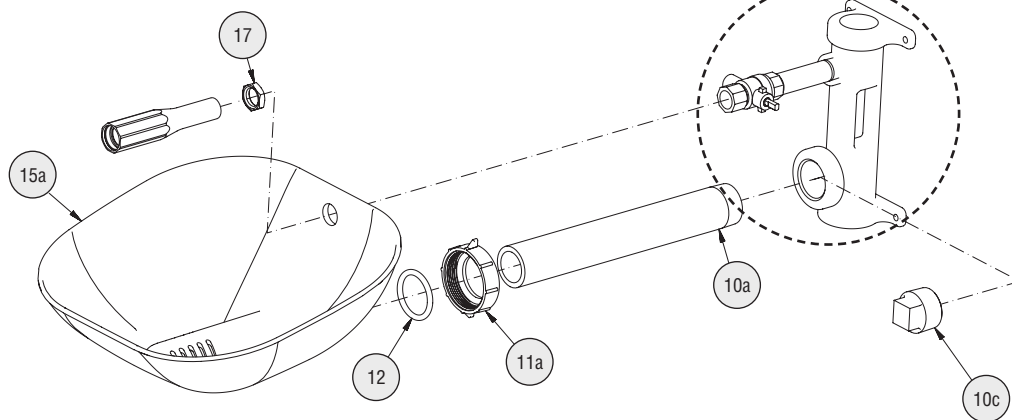
- ☑ *Douche d'urgence standard illustrée. Les autres unités sont similaires.*
- ☑ *Mettez du produit d'étanchéité (non fourni) sur tous les filetages mâles. Ne laissez pas le produit d'étanchéité à déborder sur le bord des tuyaux.*
- ☑ *BSPP = Filetage British Standard Pipe Parallel (non disponible aux États-Unis)*



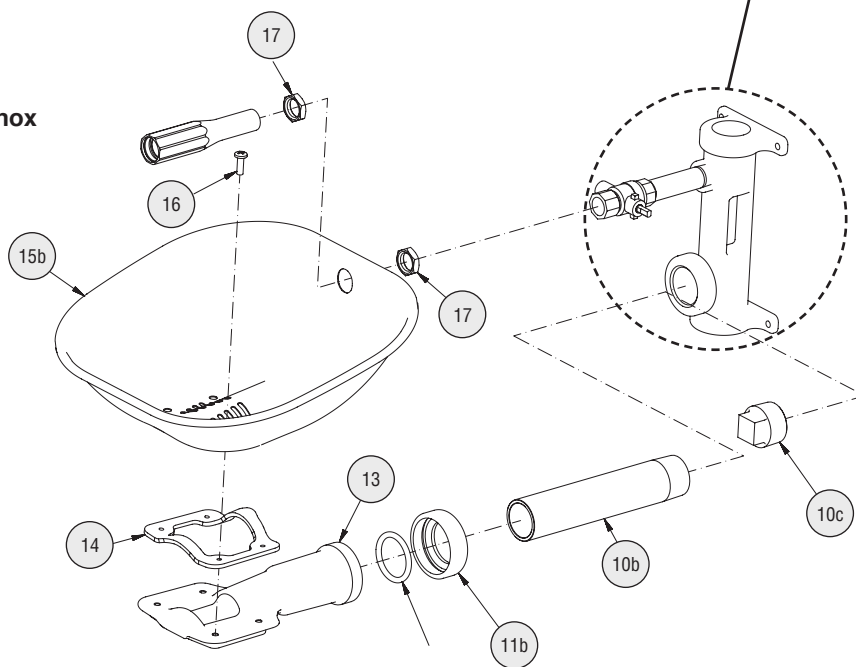
Pièces de remplacement — Récepteur et moyeu



Moyeu avec récepteur en plastique



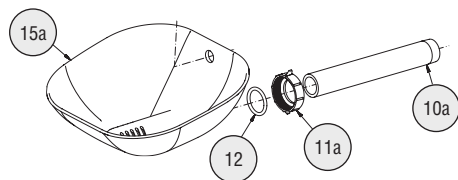
Moyeu avec récepteur en acier inox



Liste des pièces — Récepteur et moyeu

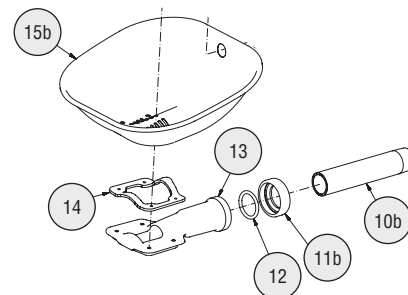
Pièce	Réf.	Qté.	Description	Pièce	Réf.	Qté.	Description
1	111-092	1	Moyeu	10a	113-1202	1	Tuyau 1¼" x 11" extrémité fileté
1	111-093	1	Moyeu acier inox	10a	113-1203	1	Tuyau 1¼" x 11" acier inox extrémité fileté
1	111-095	1	Moyeu acier inox 316	10a	113-1138	1	Tuyau 1¼" x 11" chromé extrémité fileté
1	111-094	1	Moyeu acier inox poli	10a	113-1139	1	Tuyau 1¼" x 11" acier inox 316 extrémité fileté
2a	113-006LQ	1	Tuyau ½" x 3½"	10b	113-1204	1	Tuyau 1¼" x 7" extrémité fileté
2a	113-965	1	Tuyau ½" x 3½" acier inox	10b	113-1205	1	Tuyau 1¼" x 7" acier inox extrémité fileté
2a	113-1211	1	Tuyau ½" x 3½" acier inox 316	10b	113-1206	1	Tuyau 1¼" x 7" chromé extrémité fileté
2a	113-596	1	Tuyau ½" x 3½" chromé	10b	113-1212	1	Tuyau 1¼" x 7" acier inox 316 extrémité fileté
2b	113-006LG	2	Tuyau ½" x ferme	10c	169-724	1	Bouchon 1¼" peint galvanisé
2b	113-867	2	Tuyau ½" x ferme en acier inox	10c	269-251	1	Bouchon 1¼" chromé
2b	113-1210	2	Tuyau ½" x ferme en acier inox 316	10c	269-238	1	Bouchon 1¼" acier inox
2b	113-006AW	2	Tuyau ½" x ferme chromé	10c	269-1402	1	Bouchon 1¼" acier inox 316
3	169-1090	1	Croix ½"	11a	110-239	1	Écrou, plastique
3	169-1091	1	Croix ½" acier inox	11b	110-240	1	Écrou, acier inox
3	169-1098	1	Croix ½" acier inox 316	11b	110-242	1	Écrou, acier inox 316
3	169-1097	1	Croix ½" chromé	12	125-176	1	Bague
4	300-0393	2	Bouchon ½" chromé	13	111-099	1	Support récepteur aluminium
4	153-230	2	Bouchon ½" acier inox	13	111-100	1	Support récepteur peint aluminium
4	153-460	2	Bouchon ½" acier inox 316	13	111-101	1	Support récepteur acier inox
5	S27-327	1	Robinet ½" avec écrou	13	111-102	1	Support récepteur acier inox 316
5	S27-328	1	Robinet ½" acier inox 316 avec écrou	14	124-082	1	Joint d'étanchéité
5	S27-329	1	Vanne antigel ½" avec écrou	15a	187-320	1	Récepteur plastique
5	S27-330	1	Vanne antigel ½" acier inox 316 avec écrou	15b	S90-393	1	Récepteur acier inox (incl. le élément 14)
5.1	110-215	1	Écrou	15b	S90-394	1	Récepteur acier inox 316 (incl. le élément 14)
5.1	110-248	1	Écrou acier inox 316	16	160-467	4	Vis
				17	110-115a		Écrou ½" NPSM laiton chromé (qté. au besoin)
				17	110-238		Écrou ½" NPSM acier inox (qté. au besoin)
				17	110-241		Écrou ½" NPSM acier inox 316 (qté. au besoin)

Paquet récepteur plastique S90-395 comprend les éléments 10a, 11a, 12, 15a

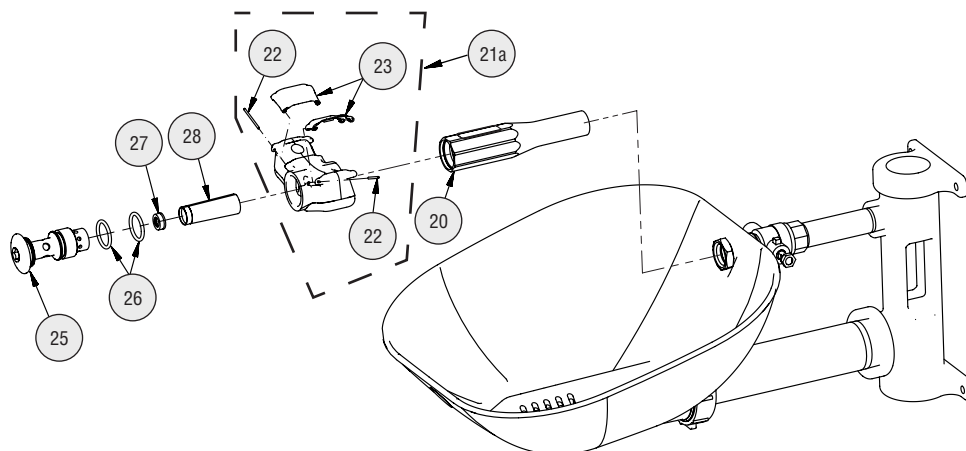


Paquet récepteur acier inox 300 Serie S90-391 comprend les éléments 10b, 11b, 12, 13, 14, 15b

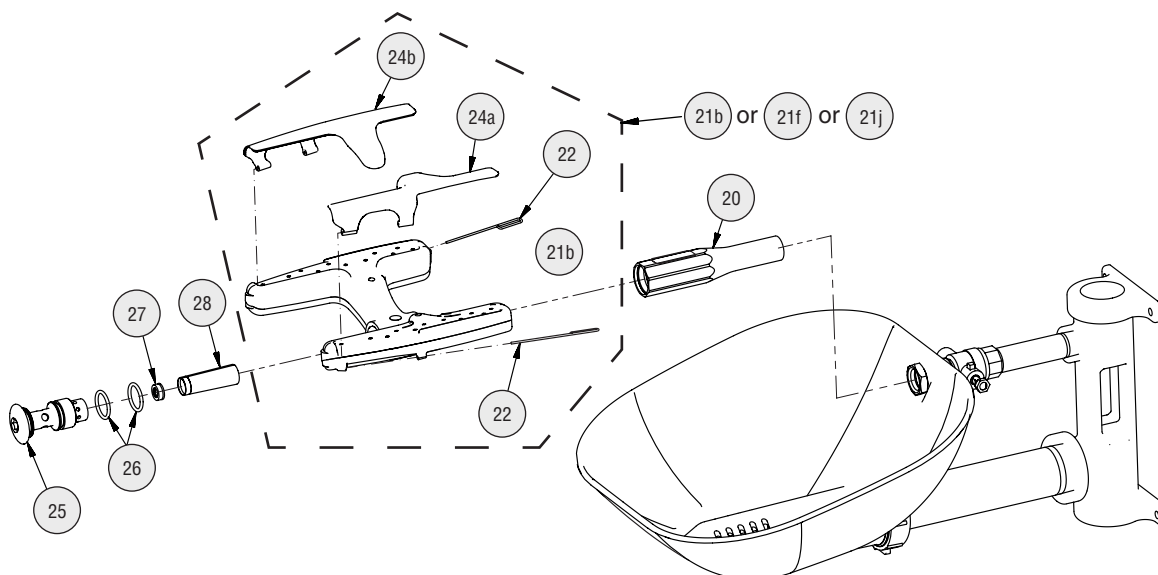
Paquet récepteur acier inox 316 Serie S90-392 comprend les éléments 10b, 11b, 12, 13, 14, 15b



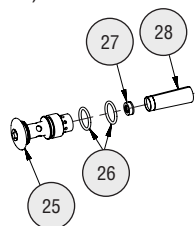
Pièces de remplacement — Douche oculaire



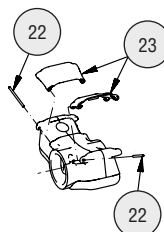
Pièces de remplacement — Douche oculaire/ faciale



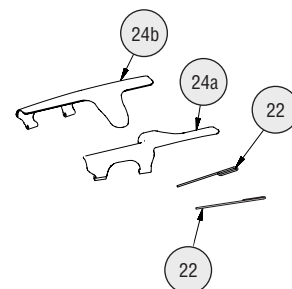
Paquet S65-339 comprend les éléments 26, 27, 28
 Paquet S88-068 comprend les éléments 25, 26, 27, 28
 Paquet S88-069 comprend les éléments 25, 26, 27, 28
 (acier inox 300 serie)
 Paquet S88-070 comprend les éléments 25, 26, 27, 28
 (acier inox 316)



Paquet couvertures à bascule (douche oculaire)
 S45-2675 comprend les éléments 22 et 23

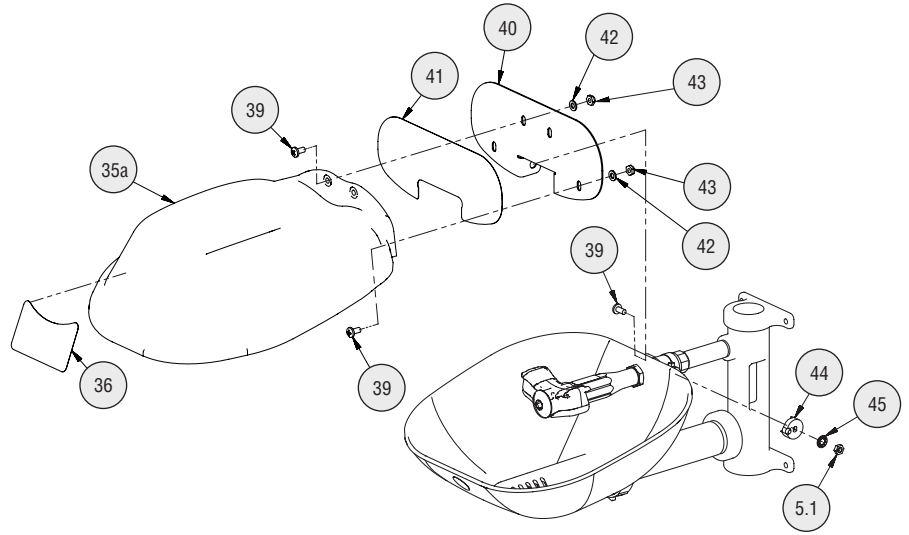
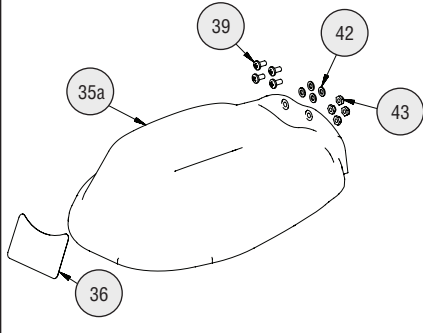


Paquet couvertures à bascule (douche oculaire/ faciale)
 S45-2676 comprend les éléments 22, 24a et 24b



Pièces de remplacement — Couvercle plastique

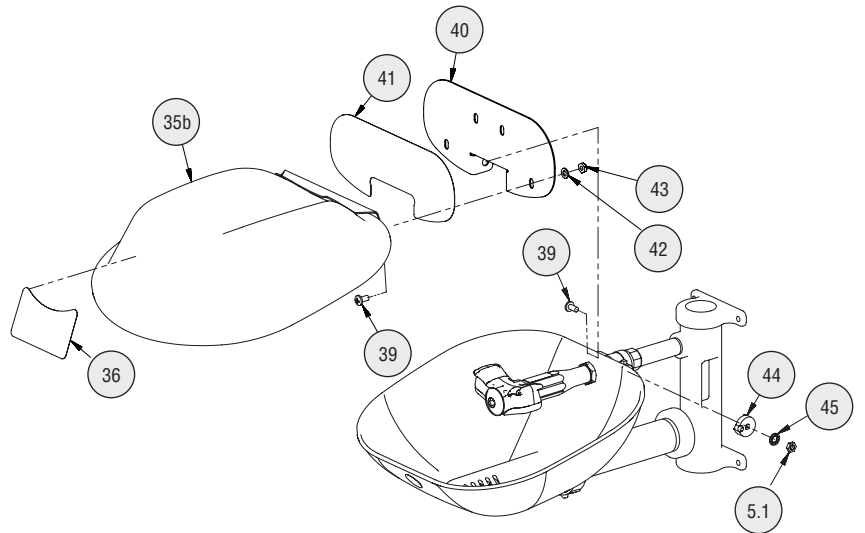
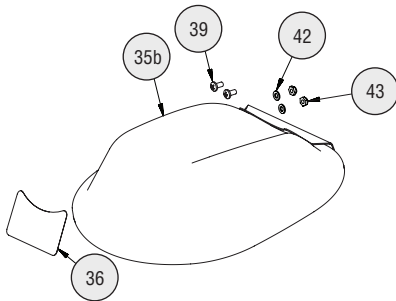
Paquet couvercle plastique S90-390 comprend les éléments 35a, 36, 39, 42, 43



Pièces de remplacement — Couvercle acier inox

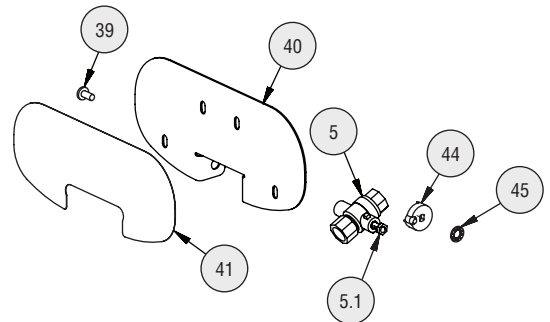
Paquet couvercle acier inox S90-388 comprend les éléments 35b, 36, 39, 42, 43

Paquet couvercle acier inox (316) S90-389 comprend les éléments 35b, 36, 39, 42, 43



Paquets manette comprend les éléments 39, 40, 41, 44, 45, 5, 5.1

- Paquet S08-390 (pour les unités avec robinet laiton)
- Paquet S08-391 (pour les unités avec robinet acier inox)
- Paquet S08-392 (pour les unités avec vanne antigel laiton)
- Paquet S08-393 (pour les unités avec vanne antigel acier inox)
- Paquet S08-394 (pour les unités avec robinet et manette acier inox 316)
- Paquet S08-395 (pour les unités avec vanne antigel et manette acier inox 316)



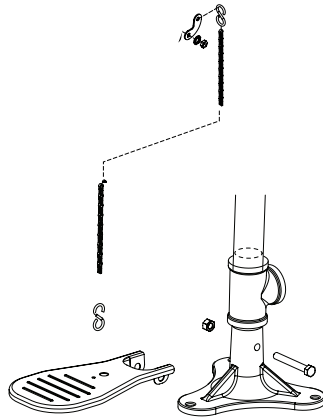
Liste des pièces — Douche oculaire, Douche oculaire/ faciale, et couvercle

Pièce	Réf.	Qté.	Description	Pièce	Réf.	Qté.	Description
20	171-001	1	Corps	26	125-157	2	Bague
20	171-002	1	Corps acier inox	27	125-175	1	Contrôle du débit
20	171-003	1	Corps acier inox 316	28	S65-340	1	Filtrer (paquet de 3)
21a	S05-190	1	Douche oculaire (comprend)	35a	kit de remplacement	1	Couvercle plastique
22	kit de remplacement	2	Axe de pivotement	35b	kit de remplacement	1	Couvercle acier inox
23	kit de remplacement	2	Couverture à bascule	35b	kit de remplacement	1	Couvercle acier inox 316
21b	S05-192	1	Douche oculaire (comprend)	39	160-389	qté. au besoin	Vis ¼-20 x ½" acier inox
22	kit de remplacement	2	Axe de pivotement	39	160-469	qté. au besoin	Vis ¼-20 x ½" acier inox 316
24a	kit de remplacement	1	Couverture à bascule droite	40	S08-385	1	Manette acier inox (incl. les éléments 41, 44, 45, 5.1)
24b	kit de remplacement	1	Couverture à bascule gauche	40	S08-388	1	Manette acier inox 316 (incl. les éléments 41, 44, 45, 5.1)
21f	S05-204	1	Tête de douche en acier inoxydable 304 oculaire/faciale (comprend)	41	114-096	1	Étiquette
22	kit de remplacement	2	Axe de pivotement	42	142-002AV	qté. au besoin	Rondelle
24a	kit de remplacement	1	Couverture à bascule droite	43	161-060	qté. au besoin	Écrou acier inox
24b	kit de remplacement	1	Couverture à bascule gauche	43	161-062	qté. au besoin	Écrou acier inox 316
21j	S05-205	1	Tête de douche en acier inoxydable 316 oculaire/faciale (comprend)	44	153-372R	1	Adaptateur robinet
22	kit de remplacement	2	Axe de pivotement	44	153-372R316	1	Adaptateur robinet acier inox 316
24a	kit de remplacement	1	Couverture à bascule droite	45	142-002DA	1	Rondelle de blocage
24b	kit de remplacement	1	Couverture à bascule gauche				
25	115-158	1	Bouchon				
25	115-159	1	Bouchon acier inox				
25	115-164	1	Bouchon acier inox 316				

Pièces de remplacement et Liste des pièces – Bride et Drain

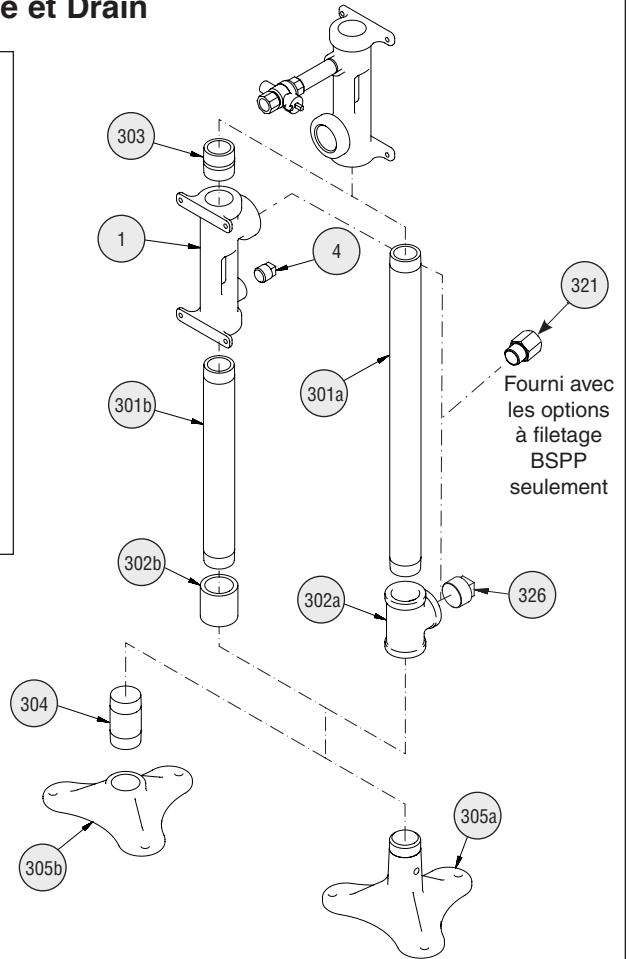
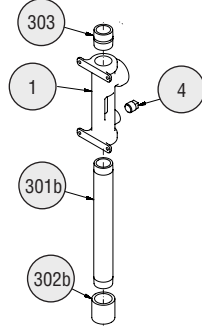
Paquet pédale

- S45-572 (standard)
- S45-1314SS (acier inox)
- S45-1314SS16 (acier inox 316)



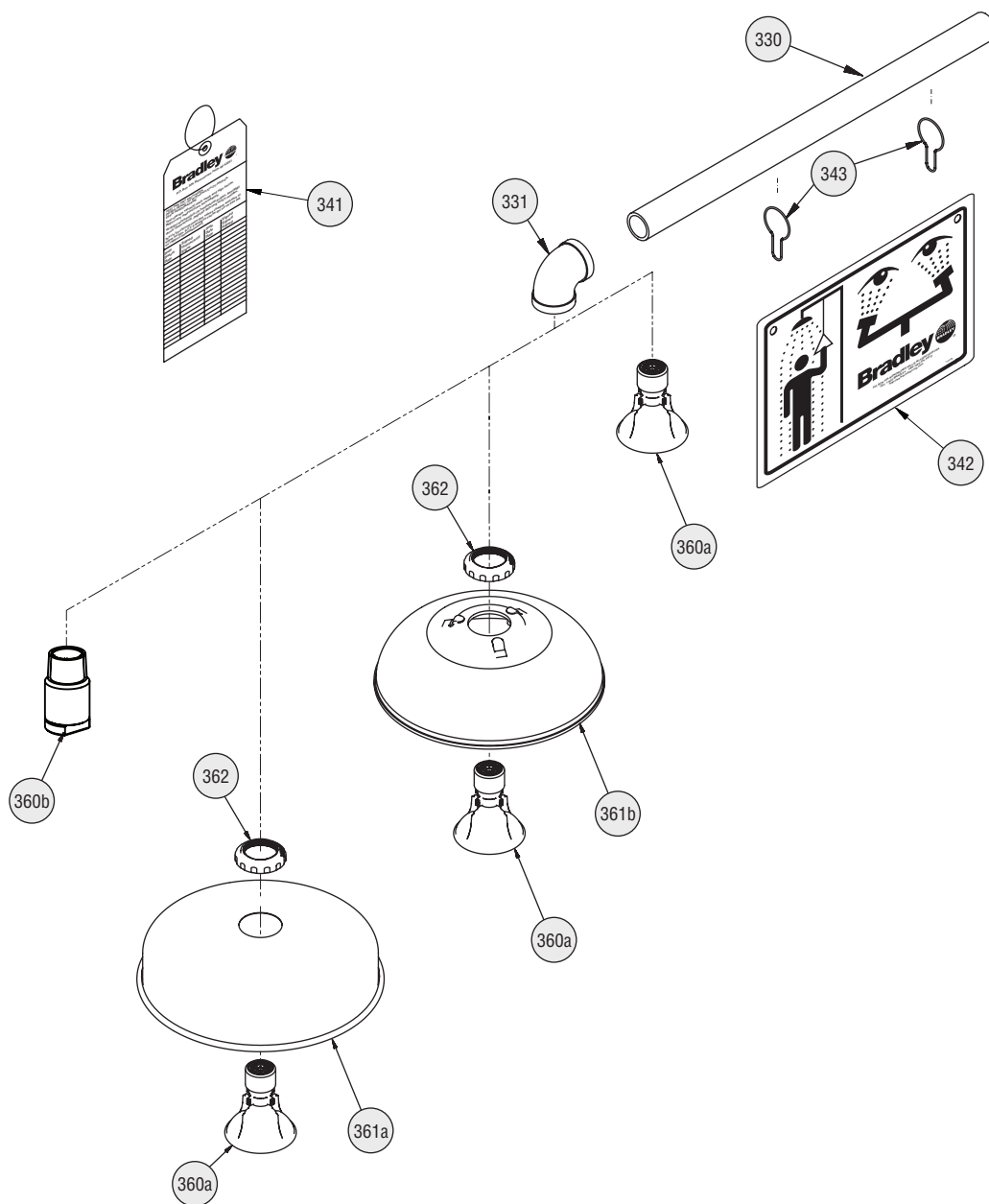
Paquet bride et drain (vidange de 24")
comprend les éléments 1, 4, 301b, 302b, 303

- S29-098 (standard)
- S29-099 (acier inox)
- S29-100 (acier inox 316)
- S29-101 (chromé)



Pièce	Réf.	Qté.	Description	Pièce	Réf.	Qté.	Description
1	111-092	1	Moyeu	302b	169-853	1	Couplage 1¼" galvanisé
1	111-093	1	Moyeu acier inox	302b	269-257	1	Couplage 1¼" chromé
1	111-095	1	Moyeu acier inox 316	302b	269-1048	1	Couplage 1¼" acier inox
1	111-094	1	Moyeu acier inox poli	302b	269-2016	1	Couplage 1¼" acier inox 316
4	300-0393	2	Bouchon ½" chromé	303	113-006NA	1	Tuyau 1¼" x étroit peint galvanisé
4	153-230	2	Bouchon ½" acier inox	303	113-865	1	Tuyau 1¼" x étroit acier inox
4	153-460	2	Bouchon ½" acier inox 316	303	113-1223	1	Tuyau 1¼" x étroit acier inox 316
301a	113-1197	1	Tuyau 1¼" x 20½"	304	S06-189	1	Bouchon chromé plein
301a	113-1198	1	Tuyau 1¼" x 20½" chromé	305a	131-059	1	Bride peint
301a	113-541	1	Tuyau 1¼" x 20½" acier inox	305a	131-062	1	Bride acier inox
301a	113-1213	1	Tuyau 1¼" x 20½" acier inox 316	305a	131-079	1	Bride acier inox 316
301b	113-1217	1	Tuyau 1¼" x 12¾"	305b	131-044	1	Bride chromé
301b	113-1218	1	Tuyau 1¼" x 12¾" chromé	321	169-1117	1	BSPP-NPT 1-1/4" 303SS
301b	113-1219	1	Tuyau 1¼" x 12¾" acier inox	321	169-1118	1	BSPP-NPT 1-1/4" 316SS
301b	113-1220	1	Tuyau 1¼" x 12¾" acier inox 316	326	169-724	1	Bouchon 1¼" peint galvanisé
302a	169-727	1	Té 1¼" peint galvanisé	326	269-251	1	Bouchon 1¼" chromé
302a	269-237	1	Té 1¼" acier inox	326	269-238	1	Bouchon 1¼" acier inox
302a	269-1398	1	Té 1¼" acier inox 316	326	269-1402	1	Bouchon 1¼" acier inox 316
302a	269-253	1	Té 1¼" chromé				

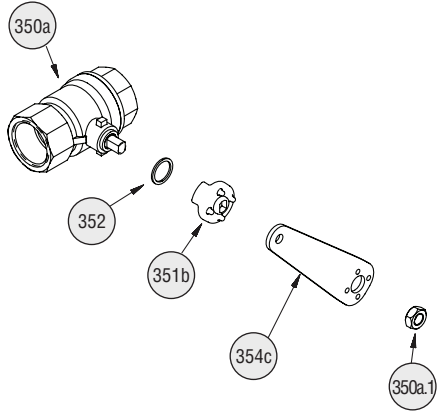
Pièces de remplacement — Douche d'urgence



Pièces de remplacement — Douche d'urgence

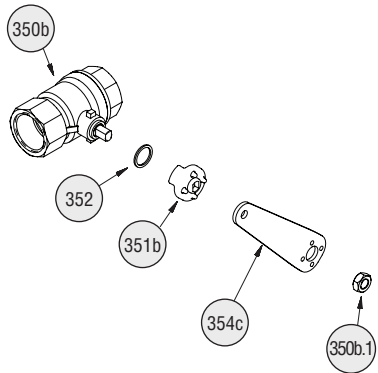
Paquet robinet laiton comprend les éléments 350a, 352, 351b, 354a, 355c, 350a.1

- S30-059 (robinet laiton standard)
- S30-103 (vanne antigel laiton)
- S30-125 (vanne antigel laiton, Manette 304SS)

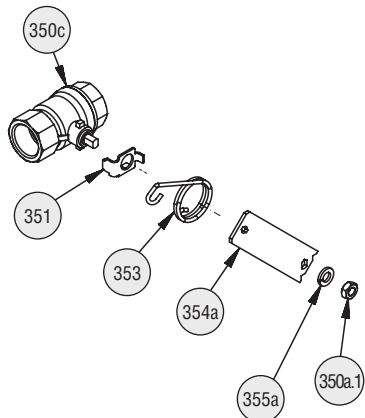


Paquet acier inox (comprend les éléments 350b, 352, 351b, 354b et 350b.1

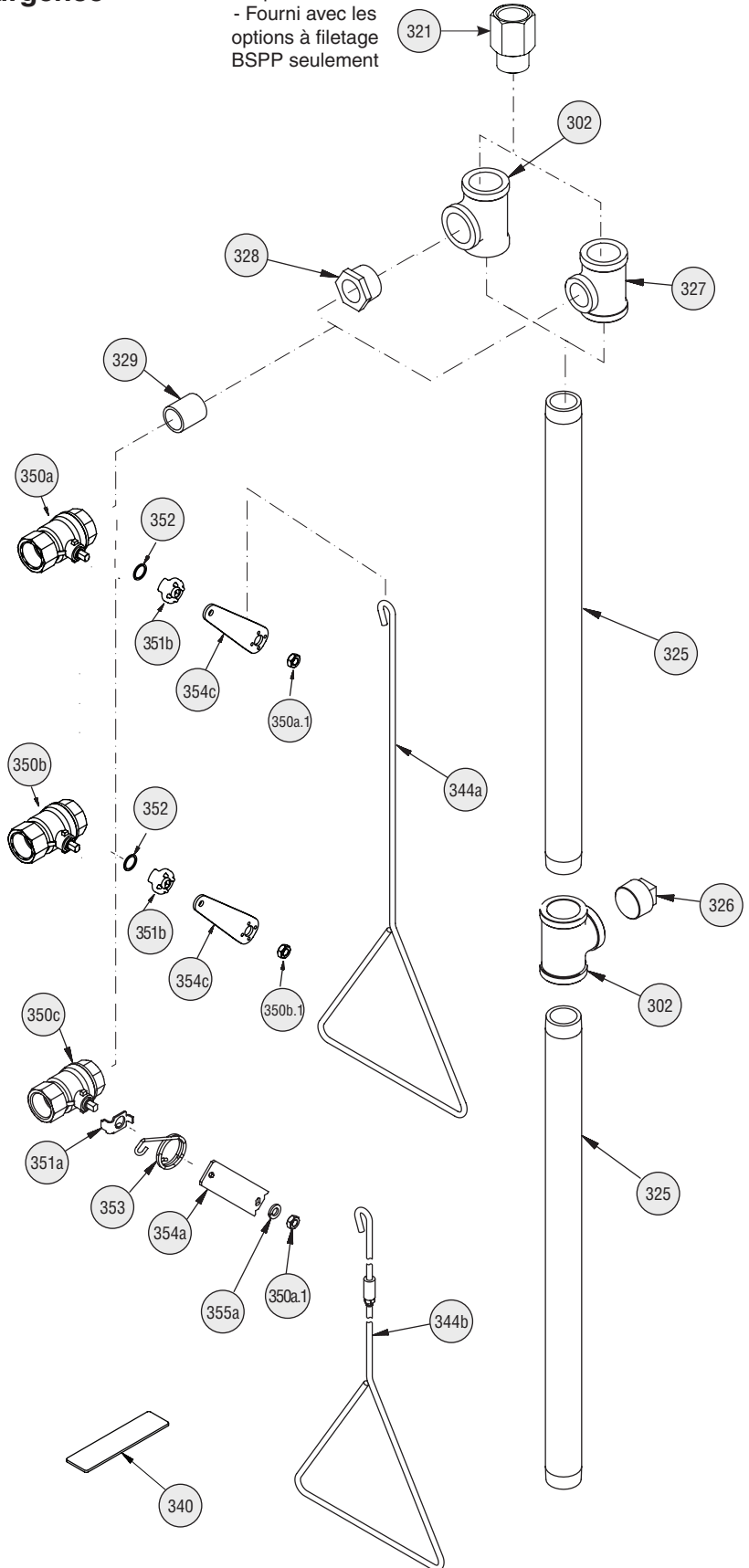
- S30-061 (robinet acier inox)
- S30-081 (robinet acier inox 316)
- S30-104 (vanne antigel acier inox)



Paquets robinet fermeture automatiques
 S19-0011 (robinet laiton standard)
 S30-107 (vanne antigel laiton)
 comprend les éléments 350c, 351, 353, 354a, 355a



Adaptateur BSPP
 - Fourni avec les options à filetage BSPP seulement



Liste des pièces — Tête de douche et robinet

BSP = filetage British Standard Pipe (Non disponible aux États-Unis)

Pièce	Réf.	Qté.	Description	Pièce	Réf.	Qté.	Description
302	169-727	1	Té 1¼" peint galvanisé	341	204-421	1	Étiquette d'inspection
302	269-237	2	Té 1¼" acier inox	342	114-052	1	Enseigne de sécurité
302	269-1398	2	Té 1¼" acier inox 316	342	114-052E	1	Enseigne de sécurité (Non disponible aux États-Unis)
302	269-253	1	Té 1¼" chromé	343	151-001	2	Crochet
321	169-1117	2	BSPP-NPT 1-1/4" 303SS	344a	128-156A	1	Tige
321	169-1118	2	BSPP-NPT 1-1/4" 316SS	344b	S90-365D	1	Tige ADA
325	113-1199	2	Tuyau 1¼" x 26"	344a	128-157	1	Tige acier inox 316
325	113-1195	2	Tuyau 1¼" x 26" acier inox 316	350a	S27-278	1	Robinet 1"
325	113-1200	2	Tuyau 1¼" x 26" acier inox	350a	S27-301	1	Vanne antigel 1"
325	113-1201	2	Tuyau 1¼" x 26" chromé	350a.1	110-214	1	Écrou
326	169-724	1	Bouchon 1¼" peint galvanisé	350b	S27-368	1	Robinet 1" acier inox
326	269-251	1	Bouchon 1¼" chromé	350b	S27-369	1	Vanne antigel 1" acier inox
326	269-238	1	Bouchon 1¼" acier inox	350b.1	110-264	1	Écrou, acier inox 316
326	269-1402	1	Bouchon 1¼" acier inox 316	350c	S27-286	1	Robinet fermeture automatique 1"
327	169-722	1	Té 1¼" x 1" x 1¼"	351a	140-720	1	Support d'arrêt
327	269-249	1	Té 1¼" x 1" x 1¼" chromé	351b	153-489	1	Adaptateur acier inox
328	269-1400	1	Réducteur 1¼" x 1" acier inox 316	351b	153-496	1	Adaptateur acier inox 316
328	269-236	1	Réducteur 1¼" x 1" acier inox	352	124-048	1	Rondelle
329	113-006LN	1	Tuyau 1" x ferme peint galvanisé	353	S19-001	1	Ressort
329	113-1214	1	Tuyau 1" x ferme acier inox 316	354a	128-129	1	Manette
329	113-006NL	1	Tuyau 1" x ferme acier inox	354c	128-205	1	Manette acier inox 316
329	113-625	1	Tuyau 1" x ferme chromé	354c	128-178	1	Manette acier inox 430
330	113-006MT	1	Tuyau 1" x 21" peint galvanisé	354c	128-201	1	Manette acier inox
330	113-1215	1	Tuyau 1" x 21" acier inox 316	355a	142-002DC	1	Rondelle de blocage 3/8"
330	113-864	1	Tuyau 1" x 21" acier inox	360a	S24-188	1	Tête de douche
330	113-1216	1	Tuyau 1" x 21" chromé	360b	S24-191	1	Tête de douche acier inox
331	169-847	1	Coude 1" peint galvanisé	360b	S24-201	1	Tête de douche acier inox 316
331	169-1073	1	Coude 1" chromé	361a	187-053	1	Corps de douche acier inox
331	169-1074	1	Coude 1" acier inox	361b	154-058	1	Corps de douche plastique
331	169-1075	1	Coude 1" acier inox 316	362	154-147	1	Anneau
340	269-915	1	Tampon anti dérapant				

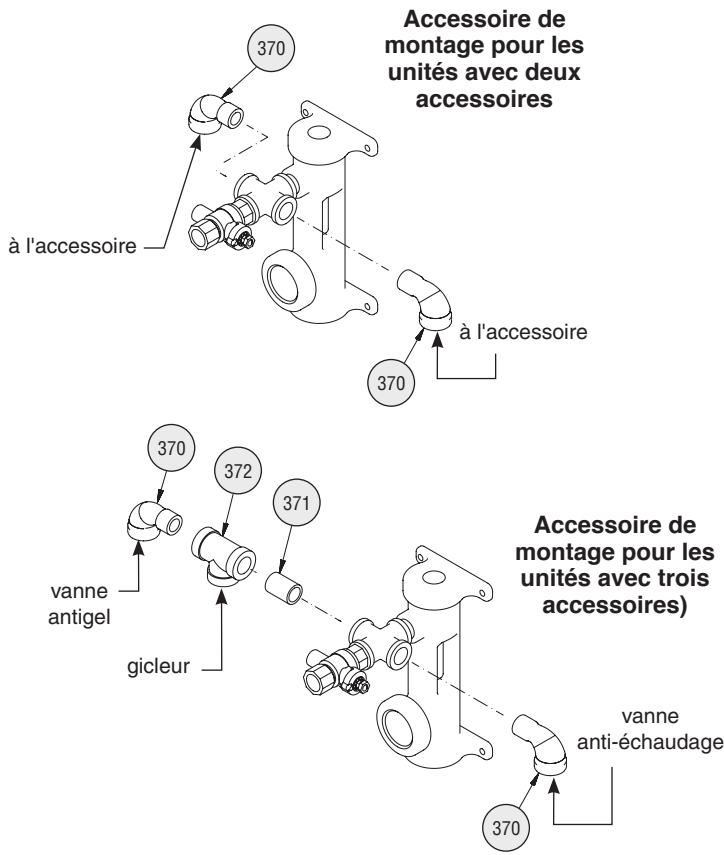
Pièces de remplacement — Accessoires en option



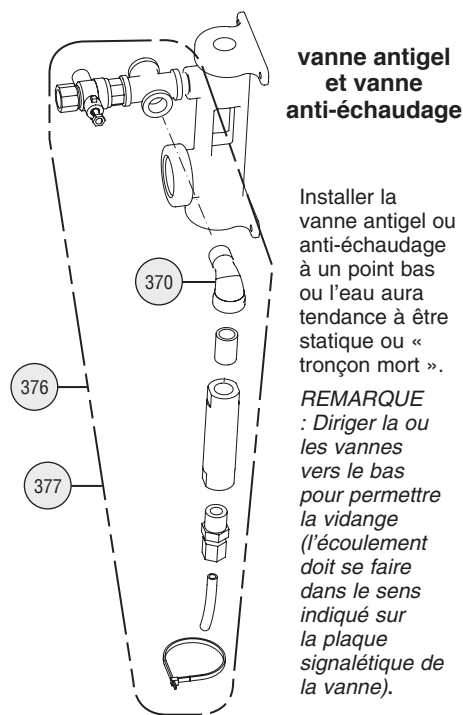
Pour éviter tout risque de plaque de glace, Bradley recommande de diriger le refoulement de la vanne par un tuyau ou une canalisation vers les déchets. Les tuyaux ou canalisations de refoulement doivent être courts de manière à ne pas avoir d'eau stagnante susceptible de geler.

Pour prévenir toute restriction dans le tube, s'assurer que les courroies d'attache de tube sont bien serrées autour du tube et de la canalisation sans pour autant être trop serrées.

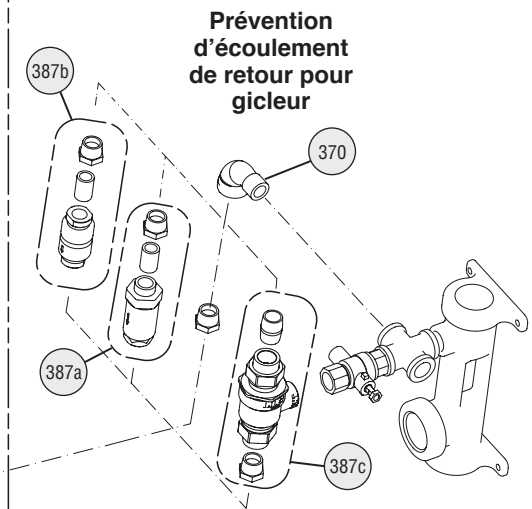
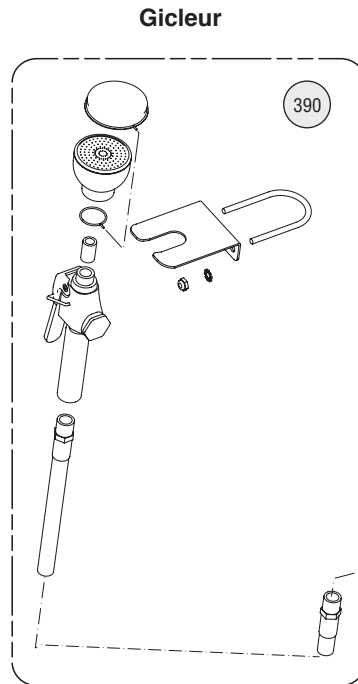
Pour obtenir les meilleurs résultats possibles, les unités doivent être fournies sur le haut lors de l'utilisation de soupapes échaudage et gel.



Pièce	Réf.	Qté.	Description
370	169-025		Coude ½" (qté. au besoin)
370	269-241		Coude ½" acier inox (qté. au besoin)
370	269-1396		Coude ½" acier inox 316 (qté. au besoin)
370	169-862		Coude ½" chromé (qté. au besoin)
371	113-006LG	1	Tuyau ½" x ferme
371	113-867	1	Tuyau ½" x ferme acier inox
371	113-1210	1	Tuyau ½" x ferme acier inox 316
371	113-006AW	1	Tuyau ½" x ferme chromé
372	169-838	1	Té ½"
372	169-1100	1	Té ½" acier inox
372	269-280	1	Té ½" chromé
372	169-1099	1	Té ½" acier inox 316



Pièce	Réf.	Description
376	S45-1986	Vanne antigel
377	S45-1989	Vanne anti-échaudage



Pièce	Réf.	Qté.	Description
387a	S27-303	1	Prévention des casse-vidé ¾"
387b	S45-2309	1	Prévention d'écoulement de retour N9
387c	S45-2310	1	Prévention d'écoulement de retour 9D
390	S19-430EH	1	Gicleur

Información de seguridad

Para garantizar el funcionamiento correcto:

Instalación

Este equipo se diseñó y se probó por terceros para cumplir con la norma ANSI/ISEA Z358.1. El sistema se debe probar periódicamente para asegurarse de que está funcionando correctamente para cumplir con la norma. Consulte la norma ANSI/ISEA Z358.1 sobre los requisitos de prueba.

La instalación, el mantenimiento y la ubicación de todas las duchas, lavaojos y lavaojos/lavacara de seguridad deben cumplir con los requisitos de la norma ANSI/ISEA Z358.1. Los trabajadores que puedan tener contacto con materiales potencialmente peligrosos deben recibir capacitación sobre la ubicación y operación adecuada de los equipos de emergencia según la norma ANSI/ ISEA Z358.1.

La norma ANSI/ ISEA Z358.1 exige que esta unidad se use con agua tibia, limpia, potable y proveniente de un suministro ininterrumpido. Los equipos de emergencia con tuberías de Bradley requieren una presión de flujo mínima de 2,1 bar (30 psi) para que funcionen según fueron diseñados y cumplan con la norma ANSI/ISEA Z358.1.

Las válvulas con funcionamiento a resorte de autocerrado no cuentan con clasificación UL para ANSI/ISEA Z358.1.

Antes de la instalación, asegúrese de que este equipo cumplirá con los requisitos acerca de los posibles contaminantes peligrosos en su ubicación.

La instalación de este sistema la debe realizar un plomero calificado según los códigos nacionales y locales. Es responsabilidad del instalador cumplir cabalmente los requisitos de desagüe y otros códigos y ordenanzas locales.

Inspecciones semanales

Se deben realizar revisiones y mantenimiento regulares para garantizar que todas las duchas y accesorios de lavado ocular/ facial de emergencia estén listos para usar cuando se necesiten. Las inspecciones semanales se deben realizar en todos los equipos de seguridad, para garantizar que exista un suministro de líquido de limpieza adecuado y para asegurarse de que los equipos estén en buenas condiciones.

Temperatura del agua

ANSI/ISEA Z358.1 requiere agua tibia. El rango adecuado es de 16 °C a 38 °C (60 °F to 100 °F). Se pueden producir lesiones corporales fuera de este rango de temperatura.

Materiales necesarios:

- (3) anclas para el piso y pernos de 3/8"
- Sellador de tubería
- Presión de flujo mín. de 2,0 bar (30 psi) y máx. de 6,1 bar (90 psi)
- Presión estática máx. de 8,6 bar (125 psi)
- Tubería hacia entrada de suministro de agua de 1 1/4" NPT (BSPP) (2,0 – 6,2 bar [30 – 90 psi])
- Tubería a la salida del desagüe NPT a 1 1/4" (si se incluye con la unidad)
- Apoyos de tubería de suministro adecuados
- Desagüe mínimo de 4" para acomodar la descarga de 30 galones (115 litros) por minuto del desprendimiento de la ducha
- OPCIONAL: Tornillería para montar el aviso de seguridad



Los códigos locales pueden exigir la instalación de una válvula de prevención de contraflujo para completar la instalación correcta. La conformidad con los códigos locales es de responsabilidad del instalador. La válvula se debe probar anualmente para verificar que funcione de manera correcta. Las válvulas de prevención de contraflujo no se incluyen con el accesorio y las puede proporcionar el contratista o las puede comprar en Bradley Corporation.

Modelos preconfigurados Halo

Número de modelo Halo	Descripción	Certificación UL según ANSI/ISEA
Lavaojos		
<input type="checkbox"/> S19314EW	Lavaojos Halo, ducha y palangana de plástico	X
<input type="checkbox"/> S19314P	Lavaojos Halo, ducha y palangana de plástico con rociador de manguera	X
<input type="checkbox"/> S19314SB	Lavaojos Halo, ducha de plástico, palangana de acero inoxidable	X
<input type="checkbox"/> S19314LL	Lavaojos Halo, ducha de plástico, palangana de acero inoxidable, activación mediante mano/pie	X
<input type="checkbox"/> S19314F	Lavaojos Halo, ducha de plástico con cubierta y palangana de acero inoxidable	X
<input type="checkbox"/> S19314UU	Lavaojos Halo, ducha de plástico con cubierta y palangana de acero inoxidable, lavaojos operado mediante mano/pie	X
Lavaojos con cubierta contra el polvo		
<input type="checkbox"/> S19314PDC	Lavaojos Halo, ducha y palangana de plástico con cubierta contra el polvo	X
<input type="checkbox"/> S19314DC	Lavaojos Halo, ducha de plástico, palangana de acero inoxidable y cubierta contra el polvo con bisagras	X
Lavaojos/lavacara		
<input type="checkbox"/> S19314FW	Lavaojos/lavacara Halo, ducha y palangana de plástico	X
<input type="checkbox"/> S19314SBFW	Lavaojos/lavacara Halo, ducha de plástico, palangana de acero inoxidable	X
<input type="checkbox"/> S19314AC	Lavaojos/lavacara Halo, ducha de plástico, palangana de acero inoxidable, lavaojos operado mediante mano/pie	X
<input type="checkbox"/> S19314TT	Lavaojos/lavacara Halo, ducha de plástico con cubierta y palangana de acero inoxidable	X
<input type="checkbox"/> S19314SPR	Lavaojos/lavacara Halo, ducha y palangana de acero inoxidable, lavaojos operado mediante mano/pie	X
<input type="checkbox"/> S19314BFPB	Lavaojos/lavacara Halo, sin pilar, ducha y palangana de plástico	X
<input type="checkbox"/> S19314BF	Lavaojos/lavacara Halo, sin pilar, ducha de plástico, palangana de acero inoxidable	X
Lavaojos/lavacara con cubiertas contra el polvo		
<input type="checkbox"/> S19314PDCFW	Lavaojos/lavacara Halo, ducha y palangana de plástico con cubierta contra el polvo	X
<input type="checkbox"/> S19314DCFW	Lavaojos/lavacara Halo, ducha de plástico, palangana de acero inoxidable y cubierta contra el polvo con bisagras	X
<input type="checkbox"/> S19314DCBF	Lavaojos/lavacara Halo, sin pilar, ducha de plástico, palangana de acero inoxidable con cubierta contra el polvo	X
Lavaojos/lavacara sin palangana de lavado ocular		
<input type="checkbox"/> S19314GG	Lavaojos/lavacara Halo, ducha de plástico, sin palangana	X
Lavado ocular completamente de acero inoxidable		
<input type="checkbox"/> S19314BFSS	Lavaojos/lavacara y ducha de acero inoxidable Halo, sin pilar	X
<input type="checkbox"/> S19314FSS	Lavaojos/lavacara y ducha de acero inoxidable Halo	X
<input type="checkbox"/> S19314SC	Lavaojos/lavacara, palangana, cubierta y ducha de acero inoxidable Halo	X
<input type="checkbox"/> S19314SS	Lavaojos/lavacara y ducha de acero inoxidable Halo con activación mediante pie	X
<input type="checkbox"/> S19314SS16	Lavaojos/lavacara y ducha de acero inoxidable 316 Halo con activación mediante pie	X

Modelos preconfigurados Halo

Todos los modelos con certificación AS4775, AS/NZS 4020 incluyen rosca BSPP.

Número de modelo Halo	Descripción	Certificación IAPMO Oceana según AS4775 y AS4020
Lavaojos		
<input type="checkbox"/> S19314EWZ	Lavaojos Halo, ducha y palangana de plástico	
<input type="checkbox"/> S19314EWZS	Lavaojos Halo, ducha y palangana de plástico, tubería de acero inoxidable	X
<input type="checkbox"/> S19314SBZ	Lavaojos Halo, ducha de plástico, palangana de acero inoxidable	
<input type="checkbox"/> S19314SBZS	Lavaojos Halo, ducha de plástico, palangana de acero inoxidable, tubería de acero inoxidable	X
<input type="checkbox"/> S19314LLZ	Lavaojos Halo, ducha de plástico, palangana de acero inoxidable, activación mediante mano/pie	
<input type="checkbox"/> S19314LLZS	Lavaojos Halo, ducha de plástico, palangana de acero inoxidable, activación mediante mano/pie, tubería de acero inoxidable	X
<input type="checkbox"/> S19314FZ	Lavaojos Halo, ducha de plástico con cubierta y palangana de acero inoxidable	
<input type="checkbox"/> S19314FZS	Lavaojos Halo, ducha de plástico con cubierta y palangana de acero inoxidable, tubería de acero inoxidable	X
<input type="checkbox"/> S19314UUZ	Lavaojos Halo, ducha de plástico con cubierta y palangana de acero inoxidable, lavaojos operado mediante mano/pie	
<input type="checkbox"/> S19314UUZS	Lavaojos Halo, ducha de plástico con cubierta y palangana de acero inoxidable, lavaojos operado mediante mano/pie, tubería de acero inoxidable	X
<input type="checkbox"/> S19314PZ	Lavaojos Halo, ducha y palangana de plástico con rociador de manguera	
Lavaojos con cubierta contra el polvo		
<input type="checkbox"/> S19314PDCZ	Lavaojos Halo, ducha y palangana de plástico con cubierta contra el polvo	
<input type="checkbox"/> S19314PDCZS	Lavaojos Halo, ducha y palangana de plástico con cubierta contra el polvo, tubería de acero inoxidable	X
<input type="checkbox"/> S19314DCZ	Lavaojos Halo, ducha de plástico, palangana de acero inoxidable y cubierta contra el polvo con bisagras	
<input type="checkbox"/> S19314DCZS	Lavaojos Halo, ducha de plástico, palangana de acero inoxidable y cubierta contra el polvo con bisagras, tubería de acero inoxidable	X
Lavaojos/lavacara		
<input type="checkbox"/> S19314FWZ	Lavaojos/lavacara Halo, ducha y palangana de plástico	
<input type="checkbox"/> S19314FWZS	Lavaojos/lavacara Halo, ducha y palangana de plástico, tubería de acero inoxidable	X
<input type="checkbox"/> S19314SBFWZ	Lavaojos/lavacara Halo, ducha de plástico, palangana de acero inoxidable	
<input type="checkbox"/> S19314SBFWZS	Lavaojos/lavacara Halo, ducha de plástico, palangana de acero inoxidable, tubería de acero inoxidable	X
<input type="checkbox"/> S19314ACZ	Lavaojos/lavacara Halo, ducha de plástico, palangana de acero inoxidable, lavaojos operado mediante mano/pie	
<input type="checkbox"/> S19314ACZS	Lavaojos/lavacara Halo, ducha de plástico, palangana de acero inoxidable, lavaojos operado mediante mano/pie, tubería de acero inoxidable	X
<input type="checkbox"/> S19314TTZ	Lavaojos/lavacara Halo, ducha de plástico con cubierta y palangana de acero inoxidable	
<input type="checkbox"/> S19314TTZS	Lavaojos/lavacara Halo, ducha de plástico con cubierta y palangana de acero inoxidable, tubería de acero inoxidable	X
<input type="checkbox"/> S19314SPRZ	Lavaojos/lavacara Halo, ducha y palangana de acero inoxidable, lavaojos operado mediante mano/pie	
<input type="checkbox"/> S19314SPRZS	Lavaojos/lavacara Halo, ducha y palangana de acero inoxidable, lavaojos operado mediante mano/pie, tubería de acero inoxidable	X
<input type="checkbox"/> S19314BFPBZ	Lavaojos/lavacara Halo, sin pilar, ducha y palangana de plástico	
<input type="checkbox"/> S19314BFPBZS	Lavaojos/lavacara Halo, sin pilar, ducha y palangana de plástico, tubería de acero inoxidable	X
<input type="checkbox"/> S19314BFZ	Lavaojos/lavacara Halo, sin pilar, ducha de plástico, palangana de acero inoxidable	
<input type="checkbox"/> S19314BFZS	Lavaojos/lavacara Halo, sin pilar, ducha de plástico, palangana de acero inoxidable, tubería de acero inoxidable	X

Modelos preconfigurados Halo

Todos los modelos con certificación AS4775, AS/NZS 4020 incluyen rosca BSPP.

Número de modelo Halo	Descripción	Certificación IAPMO Oceana según AS4775 y AS4020
Lavaojos/lavacara con cubierta contra el polvo		
<input type="checkbox"/> S19314PDCFVZ	Lavaojos/lavacara Halo, ducha y palangana de plástico con cubierta contra el polvo con bisagras	
<input type="checkbox"/> S19314PDCFVZS	Lavaojos/lavacara Halo, ducha y palangana de plástico con cubierta contra el polvo con bisagras, tubería de acero inoxidable	X
<input type="checkbox"/> S19314DCFVZ	Lavaojos/lavacara Halo, ducha de plástico, palangana de acero inoxidable y cubierta contra el polvo con bisagras	
<input type="checkbox"/> S19314DCFVZS	Lavaojos/lavacara Halo, ducha de plástico, palangana de acero inoxidable y cubierta contra el polvo con bisagras, tubería de acero inoxidable	X
<input type="checkbox"/> S19314DCBFZ	Lavaojos/lavacara Halo, sin pilar, ducha de plástico, palangana de acero inoxidable con cubierta contra el polvo con bisagras	
<input type="checkbox"/> S19314DCBFZS	Lavaojos/lavacara Halo, sin pilar, ducha de plástico, palangana de acero inoxidable con cubierta contra el polvo con bisagras, tubería de acero inoxidable	X
Lavaojos/lavacara sin palangana de lavado ocular		
<input type="checkbox"/> S19314GGZ	Lavaojos/lavacara Halo, ducha de plástico, sin palangana	
<input type="checkbox"/> S19314GGZS	Lavaojos/lavacara Halo, ducha de plástico, sin palangana, tubería de acero inoxidable	X
Lavaojos/lavacara completamente de acero inoxidable		
<input type="checkbox"/> S19314BFSSZ	Lavaojos/lavacara y ducha de acero inoxidable Halo, sin pilar	X
<input type="checkbox"/> S19314FSSZ	Lavaojos/lavacara y ducha de acero inoxidable Halo	X
<input type="checkbox"/> S19314SCZ	Lavaojos/lavacara, palangana, cubierta y ducha de acero inoxidable Halo	X
<input type="checkbox"/> S19314SSZ	Lavaojos/lavacara y ducha de acero inoxidable Halo con activación mediante mano/pie	X
<input type="checkbox"/> S19314SS16Z	Lavaojos/lavacara y ducha de acero inoxidable 316 Halo con activación mediante mano/pie	X

Configuración del producto

Selecciones estándares (se debe seleccionar una de cada categoría)

Configuración

- A** Flujo de altura 6", Fácil acceso
- B** Flujo de altura 24"
- C** Flujo de altura 24", fácil acceso
- O** Flujo de altura 6", estándar

Material de la tubería

- A** Acero inox NPT galvanizado con amarillo BradTect®
- B** Acero inox 304 NPT
- C** Acero inox 316 NPT*
- D** Latón cromado NPT
- F** BSPP, Acero inox galvanizado con amarillo BradTect®‡
- G** BSPP, Acero inox 304‡
- H** BSPP, Acero inox 316
- J** BSPP, Latón cromado‡

Válvula

- 1** Abertura continua (duchas de alto flujo y lavaojos), latón cromado
- 2** Abertura continua (duchas de alto flujo y lavaojos), acero inox 316
- 3** Autocerrado (duchas de alto flujo) y apertura continua (lavaojos), latón cromado**

Cabezal Rociador

- A** Cabezal rociador plástico
- B** Cabezal rociador plástico con casco plástico
- C** Cabezal rociador plástico con casco acero inox
- D** Cabezal rociador acero inox 304 de alto rendimiento
- E** Cabezal rociador acero inox 316 de alto rendimiento

Lavaojos - lavaojos/rostro

- A** Lavaojos Halo
- B** Lavaojos/rostro Halo
- D** Lavaojos Halo, horquilla acero inox 304 NPT
- E** Lavaojos/rostro Halo, horquilla acero inox 304 NPT
- F** Lavado ocular y facial de acero inoxidable 304 Halo, horquilla acero inox 304 NPT†
- G** Lavaojos Halo, horquilla acero inox 316 NPT
- H** Lavaojos/rostro Halo, horquilla acero inox 316 NPT
- J** Lavado ocular y facial de acero inoxidable 316 Halo, horquilla acero inox 316 NPT†

* No disponible con configuraciones de instalaciones para minusválidos.

** Las válvulas con funcionamiento a resorte de autocerrado no cuentan con clasificación UL para ANSI/ISEA Z358.1

‡ No disponible en los Estados Unidos.

† Debe seleccionar una tubería y válvula de bola de acero inoxidable cuando se necesite un lavado ocular y facial de acero inoxidable.

Receptor y cubierta contrapolvo

- A** Receptor plástico, sin cubierta contrapolvo
- B** Receptor plástico, cubierta contrapolvo plástico
- D** Receptor acero inox 304, sin cubierta contrapolvo
- E** Receptor acero inox 304, cubierta contrapolvo acero inox 304
- F** Receptor acero inox 304, cubierta contrapolvo plástico
- G** Receptor acero inox 316, sin cubierta contrapolvo
- H** Receptor acero inox 316, cubierta contrapolvo acero inox 316
- J** Receptor acero inox 316, cubierta contrapolvo plástico
- O** Sin receptor, sin cubierta contrapolvo

Activación

- A** Manija acero inox 300
- B** Manija acero inox 316
- C** Manija acero inox 300 con pedal acero inox 300*
- D** Manija acero inox 304 con pedal acero inox 316*
- E** Manija acero inox 316 con pedal acero inox 316*

Rociador y prevención de contraflujo

- A** Rociador con interruptor de vacío
- B** Rociador con prevención de contraflujo N9
- C** Rociador con prevención de contraflujo 9D
- D** Rociador sin prevención de contraflujo
- O** Sin rociador, sin prevención de contraflujo
- Z** Conexiones del rociador (el rociador no se incluyen)

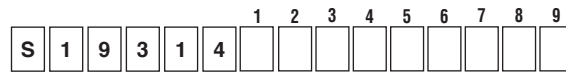
Protección contra congelamiento y contra quemaduras

- N** Válvulas de protección contra congelamiento
- P** Válvulas de protección contra quemaduras
- R** Válvulas de protección contra congelamiento y contra quemaduras
- O** Sin válvulas de protección contra congelamiento, sin válvulas de protección contra quemaduras
- Z** Conexiones para las válvulas (las válvulas no se incluyen)

- NPT = National Pipe Thread (Estándar nacional de roscas para tuberías)**
- BSPP = Estándar británico de roscas paralelas para tuberías (no disponible en los Estados Unidos)**
- Todas las selecciones hechas a través del configurador están únicamente certificadas por UL conforme a la norma ANSI/ISEA Z358.1**

Cómo especificar el modelo y las configuraciones de los productos Bradley:

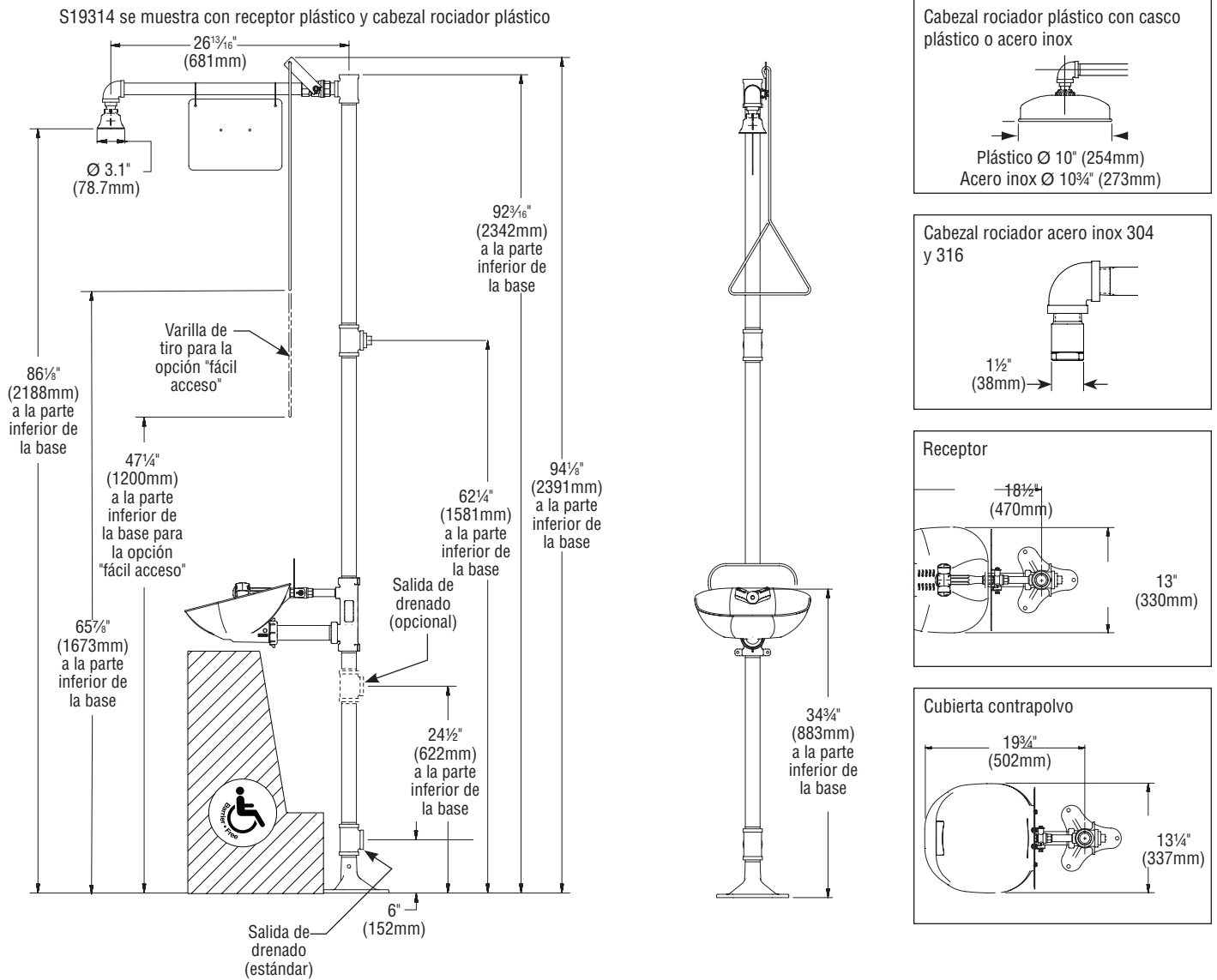
Modelo No. S19314



- 1. Configuración**
- 2. Material de la tubería**
- 3. Válvula**
- 4. Cabezal Rociador**
- 5. Lavaojos - lavaojos/rostro**

- 6. Receptor y cubierta contrapolvo**
- 7. Activación**
- 8. Rociador y prevención de contraflujo**
- 9. Protección contra congelamiento y contra quemaduras**

Dimensiones



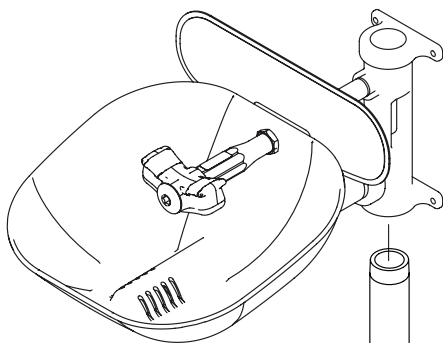
Todas las dimensiones asumen el enganche de rosca estándar. Las variaciones en la fabricación permiten +/- 3,1 mm (1/8") por junta roscada. Para encontrar la tolerancia de una dimensión, agregue el número de juntas roscadas entre una dimensión y multiplíquelo por 3,1 mm (1/8").

El flujo del agua	
Cabezal rociador	20–26 gpm
Lavaojos	4–5 ¹ / ₄ gpm
Lavaojos/rostro	4–5 ¹ / ₄ gpm
Lavado de cuerpo	2–8 gpm

1 Montaje — Base y Lavaojos

- ✓ Se muestra una unidad lavaojos estándar. Las otras unidades son similares.
- ✓ Conecte los componentes antes de fijar la base al suelo. Usar una almohadilla de agarre alrededor de la tubería al apretar para evitar estropearla.
- ✓ Aplicar sellador de tubería a todas las juntas de tubería de rosca macho. No deje que el sellador se derrame sobre el borde de los tubos.

La unidad de Halo de flujo de altura estándar



20½"
(521mm)
longitud de
la tubería

Adaptador BSPP-
NPT 1-1/4" si
se suministró
con la opción
proporcionada



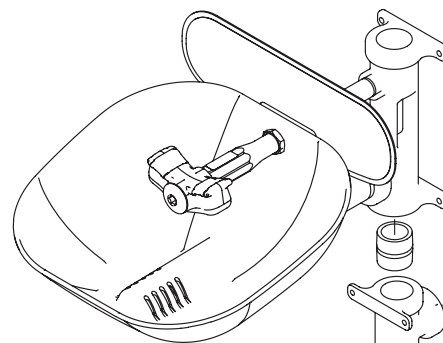
Salida de
drenado de
1¼" NPT



Para instalar el pedal
opcional, la base debe
estar en una posición en
la que el agujero de la
base esté perpendicular
al usuario.

Pernos de 3/8"
suministrados por
el instalador

La unidad de Halo de flujo de altura 24" opcional



Adaptador BSPP-
NPT 1-1/4" si
se suministró
con la opción
proporcionada

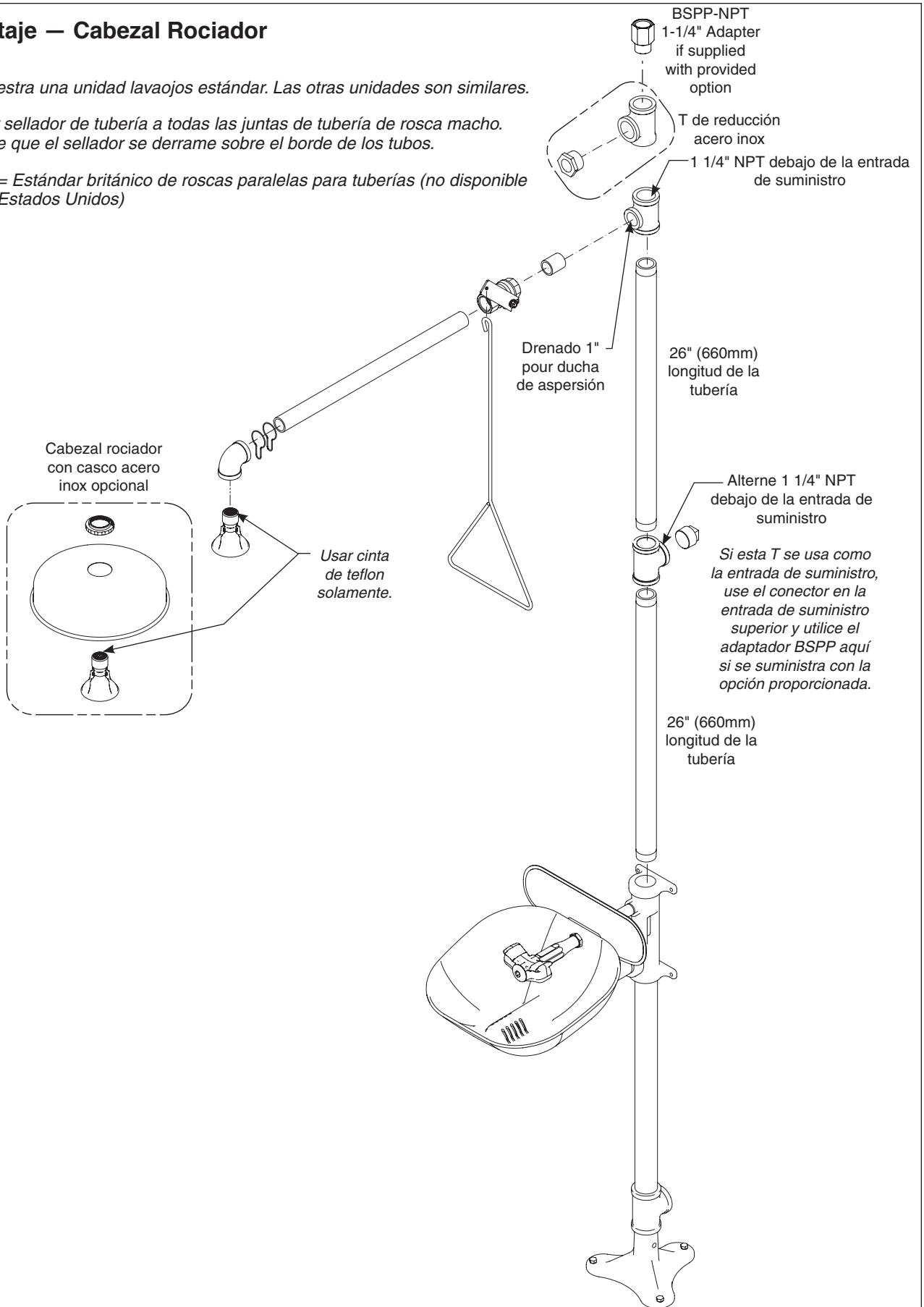


Salida de
drenado de
1¼" NPT

12¾"
(324mm)
longitud de
la tubería

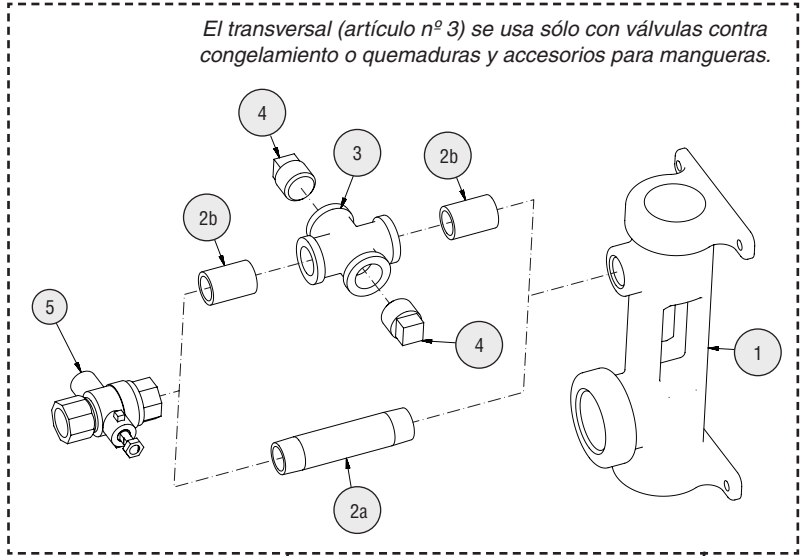
2 Montaje — Cabecal Rociador

- ✓ Se muestra una unidad lavajojos estándar. Las otras unidades son similares.
- ✓ Aplicar sellador de tubería a todas las juntas de tubería de rosca macho. No deje que el sellador se derrame sobre el borde de los tubos.
- ✓ BSPP = Estándar británico de roscas paralelas para tuberías (no disponible en los Estados Unidos)

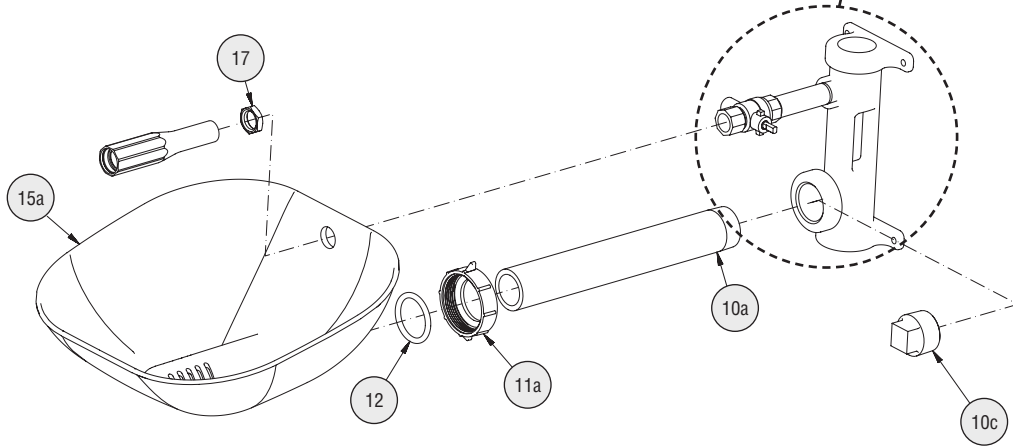


Piezas de repuesto — Receptor y Buje

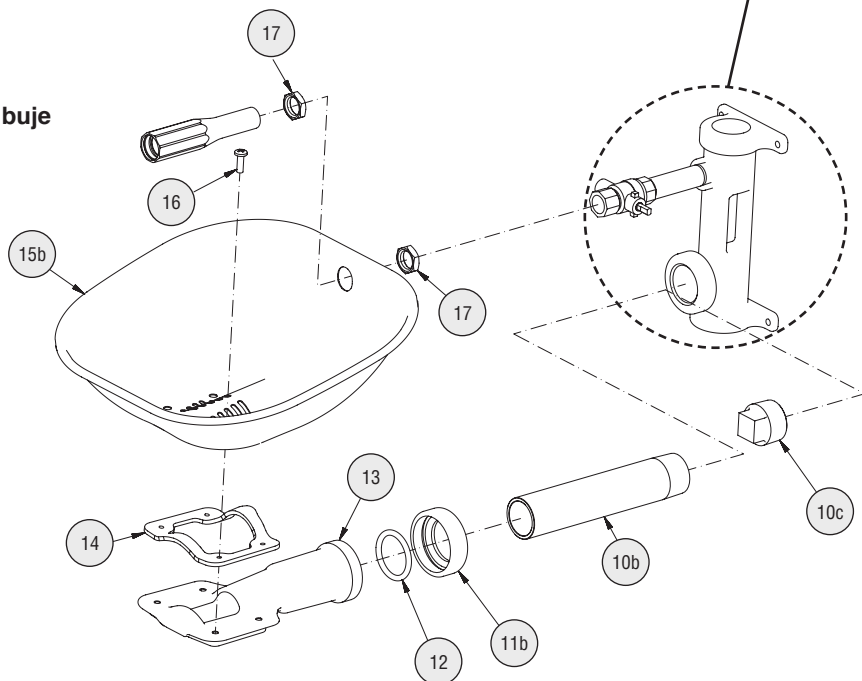
El transversal (artículo nº 3) se usa sólo con válvulas contra congelamiento o quemaduras y accesorios para mangueras.



Receptor plástico con buje

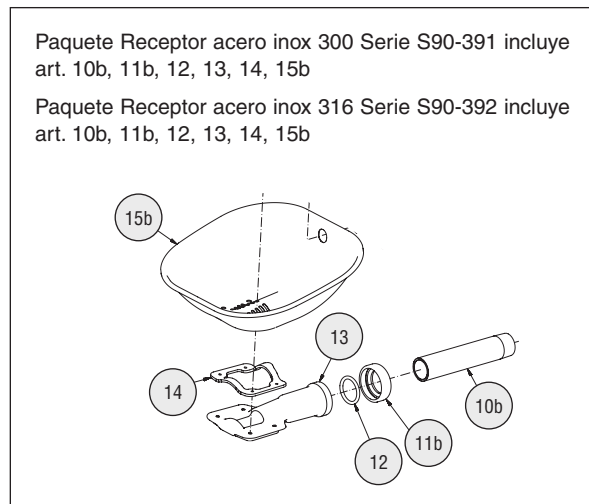
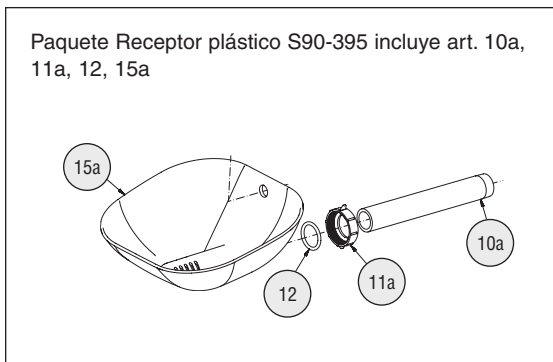


Receptor acero inox con buje

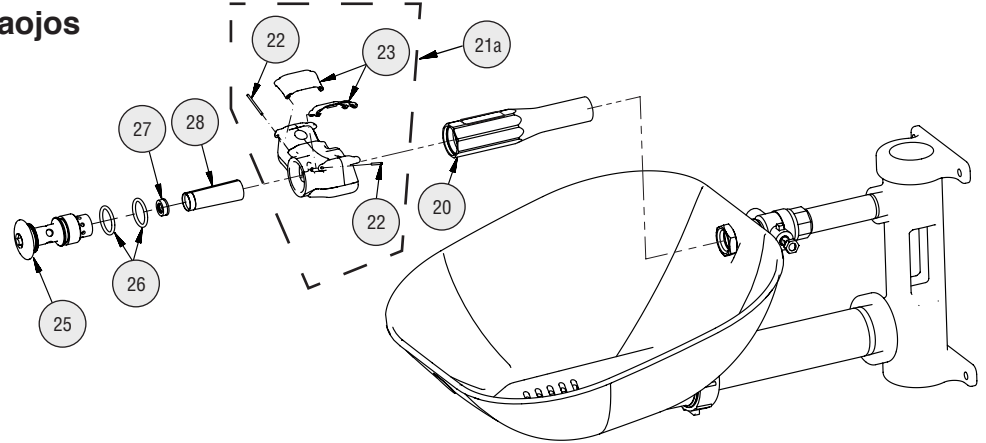


Lista de piezas — Receptor y buje

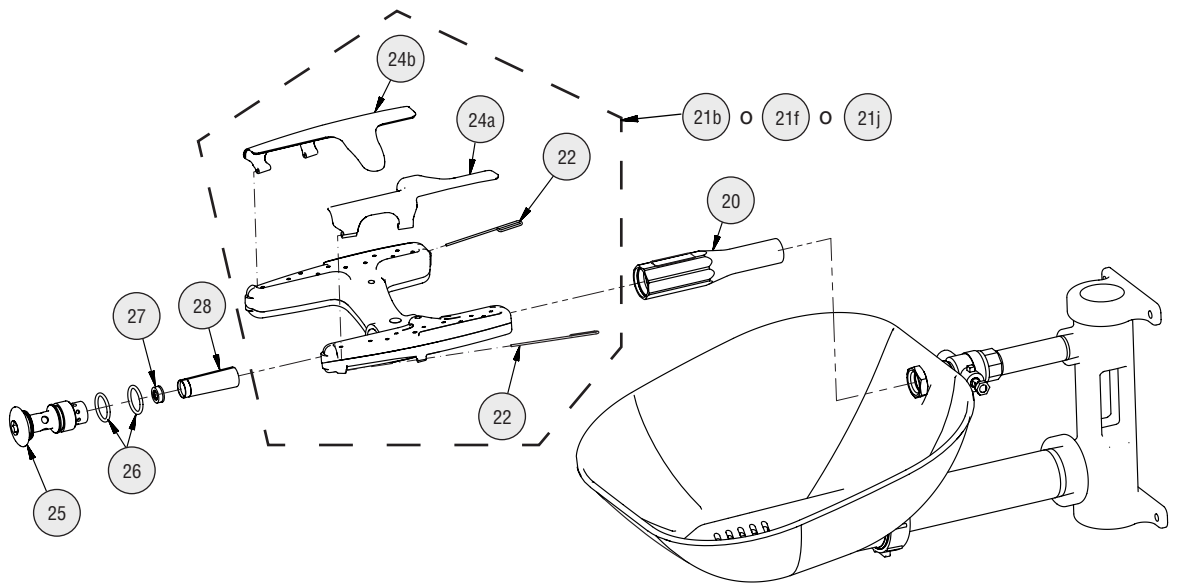
Art.	Pieza No.	Ctd.	Descripción	Art.	Pieza No.	Ctd.	Descripción
1	111-092	1	Buje	10b	113-1204	1	Tubería 1¼" x 7" rosca extremo
1	111-093	1	Buje acero inox	10b	113-1205	1	Tubería 1¼" x 7" acero inox rosca extremo
1	111-095	1	Buje acero inox 316	10b	113-1206	1	Tub. 1¼" x 7" cromado rosca extremo
1	111-094	1	Buje acero inox pulido	10b	113-1212	1	Tub. 1¼" x 7" acero inox 316 rosca extremo
2a	113-006LQ	1	Tubería ½" x 3½"	10c	169-724	1	Tápon 1¼" pintado galvanizado
2a	113-965	1	Tubería ½" x 3½" acero inox	10c	269-251	1	Tápon 1¼" cromado
2a	113-1211	1	Tubería ½" x 3½" acero inox 316	10c	269-238	1	Tápon 1¼" acero inox
2a	113-596	1	Tubería ½" x 3½" cromado	10c	269-1402	1	Tápon 1¼" acero inox 316
2b	113-006LG	2	Tubería ½" x rosca exterior	11a	110-239	1	Tuerca, plástico
2b	113-867	2	Tubería ½" x rosca exterior en acero inox	11b	110-240	1	Tuerca, acero inox
2b	113-1210	2	Tubería ½" x rosca exterior en acero inox 316	11b	110-242	1	Tuerca, acero inox 316
2b	113-006AW	2	Tubería ½" x rosca exterior cromado	12	125-176	1	Arosello
3	169-1090	1	Transversal ½"	13	111-099	1	Soporte Receptor aluminio
3	169-1091	1	Transversal ½" acero inox	13	111-100	1	Soporte Receptor pintado aluminio
3	169-1098	1	Transversal ½" acero inox 316	13	111-101	1	Soporte Receptor acero inox
3	169-1097	1	Transversal ½" cromado	13	111-102	1	Soporte Receptor acero inox 316
4	300-0393	2	Tápon ½" cromado	14	124-082	1	Junta
4	153-230	2	Tápon ½" acero inox	15a	187-320	1	Receptor plástico
4	153-460	2	Tápon ½" acero inox 316	15b	S90-393	1	Receptor acero inox (incluye art. 14)
5	S27-327	1	Válvula ½" con tuerca	15b	S90-394	1	Receptor acero inox 316 (incluye art. 14)
5	S27-328	1	Válvula ½" acero inox 316 con tuerca	16	160-467	4	Tornillo
5	S27-329	1	Válvula de protección contra congelamiento ½" con tuerca	17	110-115a		Tuerca ½" NPSM latón cromado (ctd. la req.)
5	S27-330	1	Válvula de protección contra quemaduras ½" con tuerca	17	110-238		Tuerca ½" NPSM acero inox (ctd. la req.)
5.1	110-215	1	Tuerca	17	110-241		Tuerca ½" NPSM acero inox 316 (ctd. la req.)
5.1	110-248	1	Tuerca acero inox 316				
10a	113-1202	1	Tubería 1¼" x 11" rosca extremo				
10a	113-1203	1	Tub. 1¼" x 11" acero inox rosca extremo				
10a	113-1138	1	Tub. 1¼" x 11" cromado rosca extremo				
10a	113-1139	1	Tub. 1¼" x 11" acero inox 316 rosca extremo				



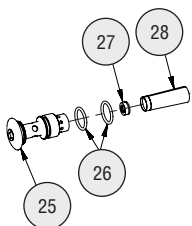
Piezas de repuesto — Lavajos



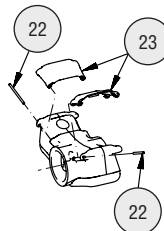
Piezas de repuesto — Lavajos/rostro



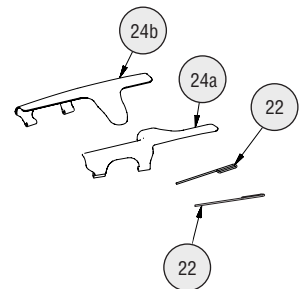
- Paquete S65-339 incluye art. 26, 27, 28
- Paquete S88-068 incluye art. 25, 26, 27, 28
- Paquete S88-069 incluye art. 25, 26, 27, 28 (300 series ss)
- Paquete S88-070 incluye art. 25, 26, 27, 28 (316 ss)



- Paquete tapa protectora lavajos S45-2675 incluye art. 22 and 23

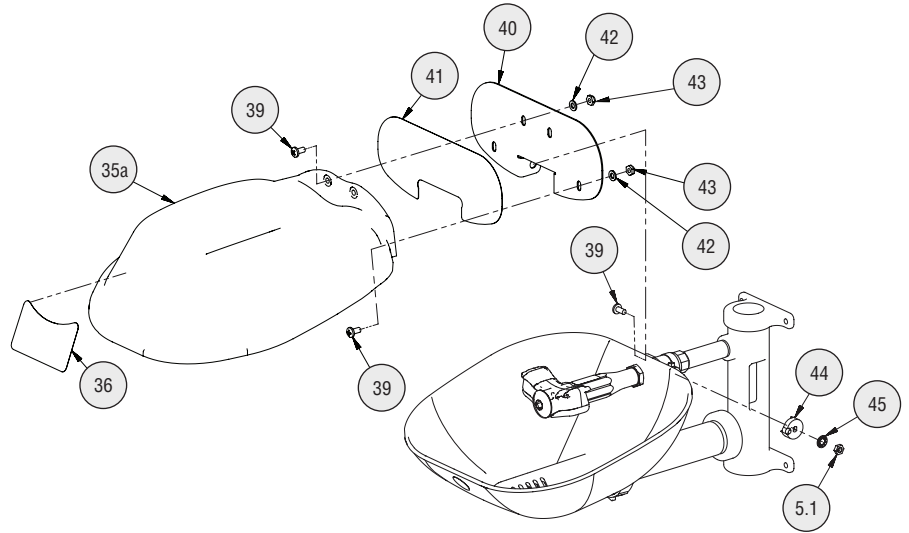
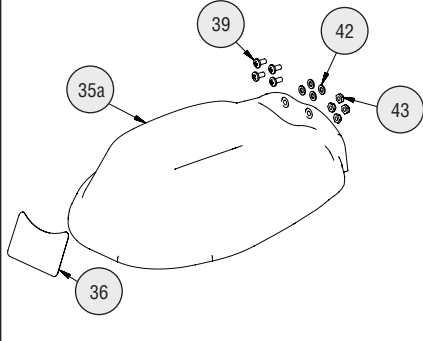


- Paquete tapa protectora lavajos/rostro S45-2676 incluye art. 22, 24a and 24b



Piezas de repuesto — Cubierta contrapolvo plástico

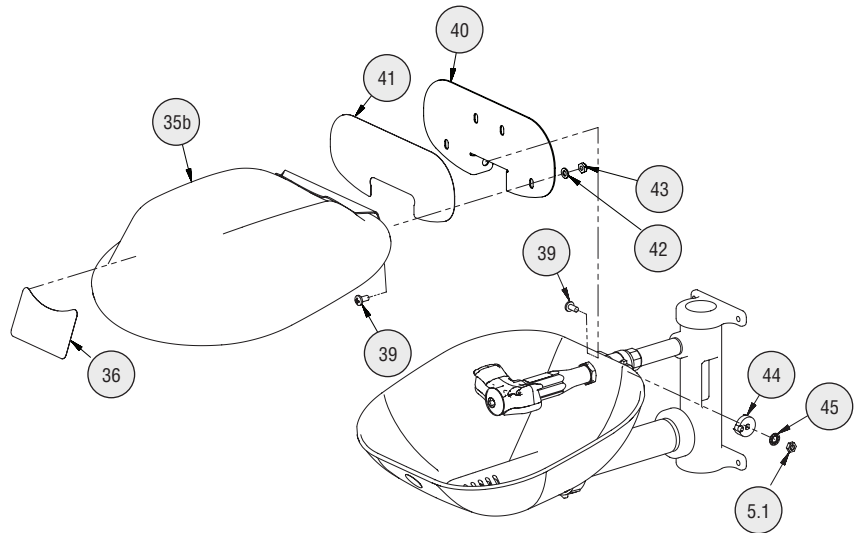
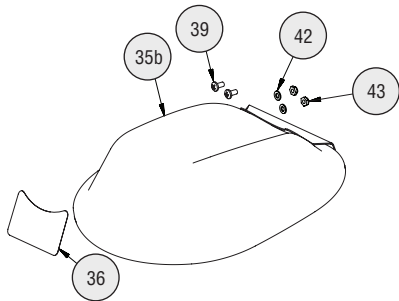
Paquete cubierta contrapolvo plástico S90-390 incluye art. 35a, 36, 39, 42, 43



Piezas de repuesto — Cubierta contrapolvo acero inox

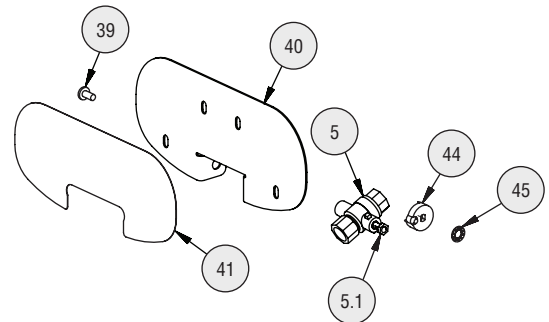
Paquete cubierta contrapolvo acero inox S90-388 incluye art. 35b, 36, 39, 42, 43

Paquete cubierta contrapolvo acero inox (316) S90-389 incluye art. 35b, 36, 39, 42, 43



Paquete Manija incluye art. 39, 40, 41, 44, 45, 5, 5.1

- Paquete S08-390 (para las unidades con válvula de latón)
- Paquete S08-391 (para las unidades con válvula de acero inox)
- Paquete S08-392 (para las unidades con válvula de protección contra congelamiento de latón)
- Paquete S08-393 (para las unidades con válvula de protección contra congelamiento de acero inox)
- Paquete S08-394 (para las unidades con válvula de acero inox 316 y manija)
- Paquete S08-395 (para las unidades con válvula de protección contra congelamiento de acero inox 316 y manija)



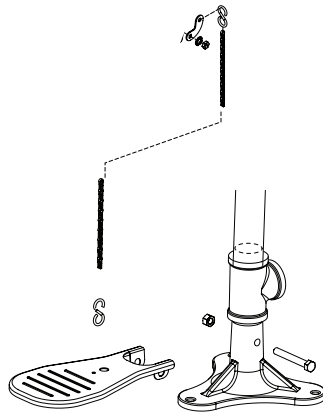
Lista de piezas — Lavaojos, lavaojos/rostro y cubierta

Art.	Pieza No.	Ctd.	Descripción	Art.	Pieza No.	Ctd.	Descripción
20	171-001	1	Cuerpo	26	125-157	2	Arosello
20	171-002	1	Cuerpo acero inox	27	125-175	1	Control del flujo
20	171-003	1	Cuerpo acero inox 316	28	S65-340	1	Filtro (paquete de 3)
21a	S05-190	1	Lavaojos (incluye)	35a	juego de repuesto	1	Cubierta plástico
22	juego de repuesto	2	Pasador de pivote	35b	juego de repuesto	1	Cubierta acero inox
23	juego de repuesto	2	Tapa protectora	35b	juego de repuesto	1	Cubierta acero inox 316
21b	S05-192	1	Lavaojos/rostro (incluye)	36	114-097	1	Etiqueta (cubierta)
22	juego de repuesto	2	Pasador de pivote	39	160-389	ctd. la req.	Tornillo ¼-20 x ½" acero inox
24a	juego de repuesto	1	Tapa protectora derecha	39	160-469	ctd. la req.	Tornillo ¼-20 x ½" acero inox 316
24b	juego de repuesto	1	Tapa protectora izquierda	40	S08-385	1	Manija acero inox (incluye art.) 41, 44, 45, 5.1)
21f	S05-204	1	Conjunto de boquillas rociadoras de acero inoxidable 304 para ojos y cara (incluye)	40	S08-388	1	Manija acero inox 316 (incluye art.) 41, 44, 45, 5.1)
22	juego de repuesto	2	Pasador de pivote	41	114-096	1	Etiqueta
24a	juego de repuesto	1	Tapa protectora derecha	42	142-002AV	ctd. la req.	Arandela
24b	juego de repuesto	1	Tapa protectora izquierda	43	161-060	ctd. la req.	Tuerca acero inox
21j	S05-205	1	Conjunto de boquillas rociadoras de acero inoxidable 316 para ojos y cara (incluye)	43	161-062	ctd. la req.	Tuerca acero inox 316
22	juego de repuesto	2	Pasador de pivote	44	153-372R	1	Adaptador Válvula
24a	juego de repuesto	1	Tapa protectora derecha	44	153-372R316	1	Adaptador Válvula acero inox 316
24b	juego de repuesto	1	Tapa protectora izquierda	45	142-002DA	1	Rondana de seguridad
25	115-158	1	Tapa				
25	115-159	1	Tapa acero inox				
25	115-164	1	Tapa acero inox 316				

Piezas de repuesto y lista de piezas — Base y drenaje

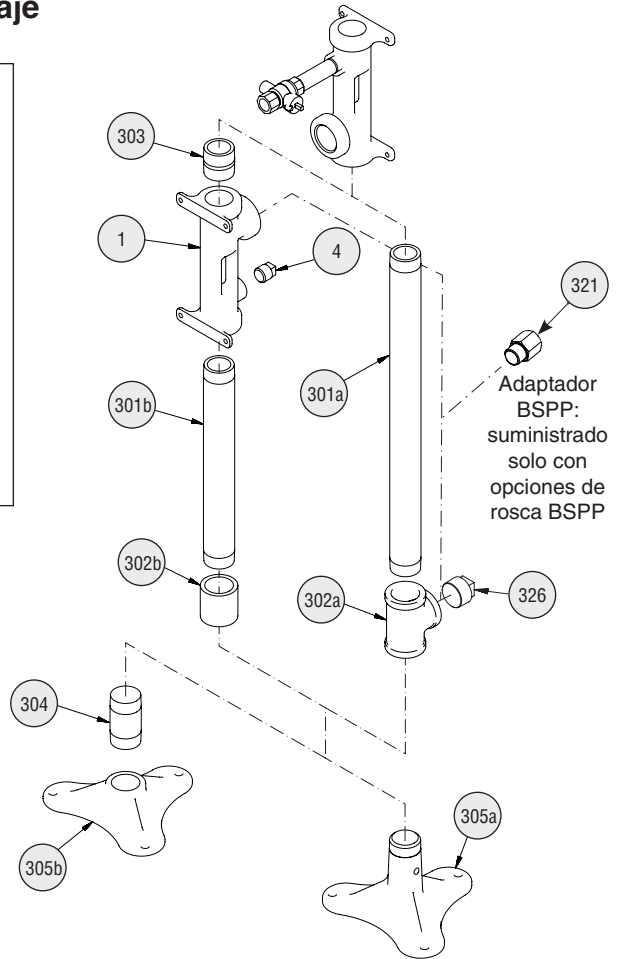
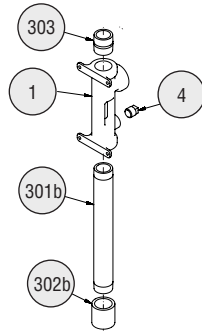
Paquete pedal

- S45-572 (estándar)
- S45-1314SS (acero inox)
- S45-1314SS16 (acero inox 316)



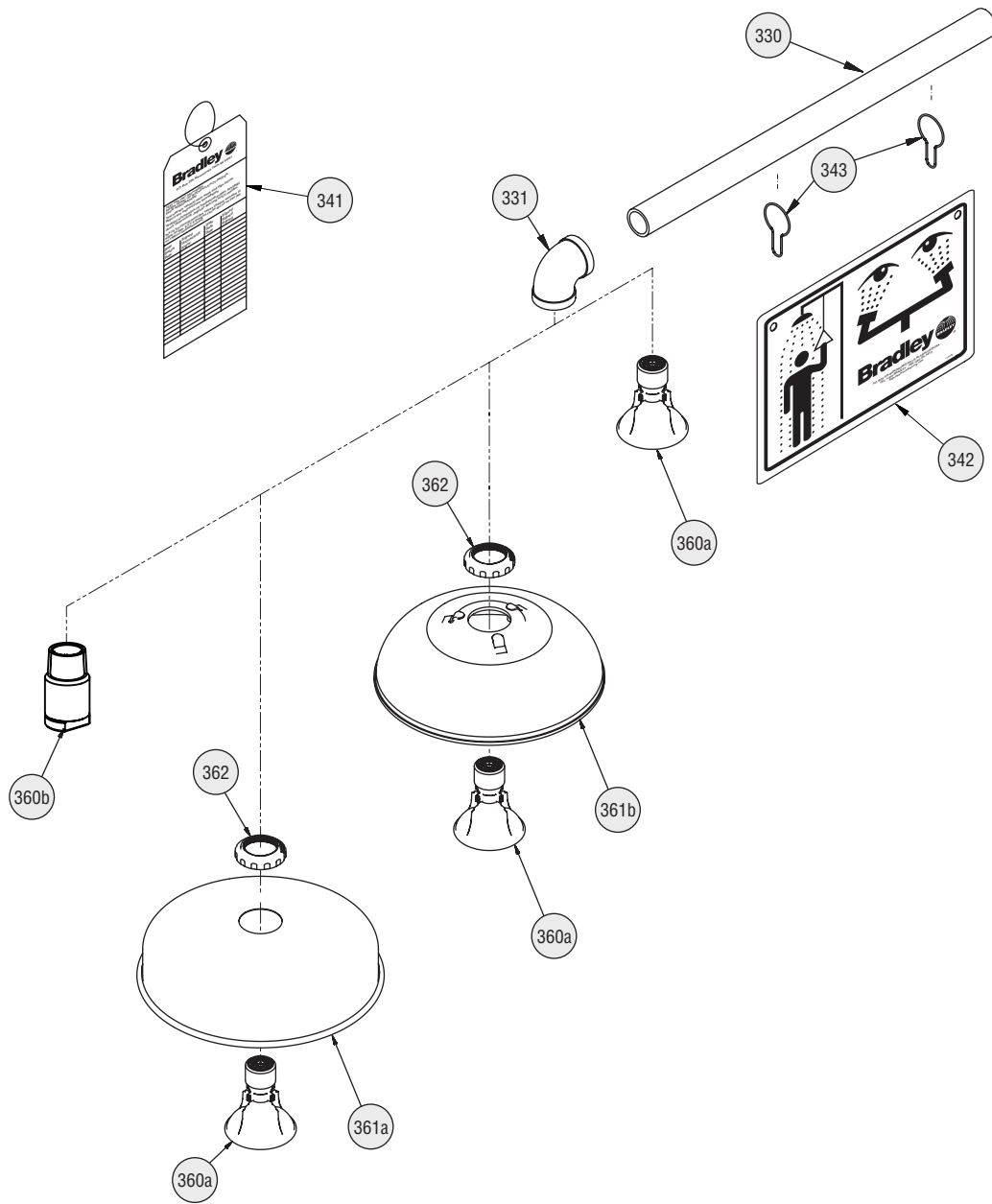
Paquete Base y drenaje de 24"
incluye art. 1, 4, 301b, 302b, 303

- S29-098 (estándar)
- S29-099 (acero inox)
- S29-100 (acero inox 316)
- S29-101 (cromado)



Art.	Pieza No.	Ctd.	Descripción	Art.	Pieza No.	Ctd.	Descripción
1	111-092	1	Buje	302b	169-853	1	Acoplamiento 1¼" galvanisé
1	111-093	1	Buje acero inox	302b	269-257	1	Acoplamiento 1¼" cromado
1	111-095	1	Buje acero inox 316	302b	269-1048	1	Acoplamiento 1¼" acero inox
1	111-094	1	Buje acero inox pulido	302b	269-2016	1	Acoplamiento 1¼" acero inox 316
4	300-0393	2	Tapón ½" cromado	303	113-006NA	1	Tub. 1¼" x rosca exterior pintado galvanizado
4	153-230	2	Tapón ½" acero inox	303	113-865	1	Tubería 1¼" x rosca exterior acero inox
4	153-460	2	Tapón ½" acero inox 316	303	113-1223	1	Tubería 1¼" x rosca exterior acero inox 316
301a	113-1197	1	Tubería 1¼" x 20½"	304	S06-189	1	Tapón cromado sólido
301a	113-1198	1	Tubería 1¼" x 20½" cromado	305a	131-059	1	Base pintado
301a	113-541	1	Tubería 1¼" x 20½" acero inox	305a	131-062	1	Base acero inox
301a	113-1213	1	Tubería 1¼" x 20½" acero inox 316	305a	131-079	1	Base acero inox 316
301b	113-1217	1	Tubería 1¼" x 12¾"	305b	131-044	1	Base cromado
301b	113-1218	1	Tubería 1¼" x 12¾" cromado	321	169-1117	1	BSPP-NPT 1-1/4" 303SS
301b	113-1219	1	Tubería 1¼" x 12¾" acero inox	321	169-1118	1	BSPP-NPT 1-1/4" 316SS
301b	113-1220	1	Tubería 1¼" x 12¾" acero inox 316	326	169-724	1	Tápon 1¼" pintado galvanizado
302a	169-727	1	T 1¼" pintado galvanizado	326	269-251	1	Tápon 1¼" cromado
302a	269-237	1	T 1¼" acero inox	326	269-238	1	Tápon 1¼" acero inox
302a	269-1398	1	T 1¼" acero inox 316	326	269-1402	1	Tápon 1¼" acero inox 316
302a	269-253	1	T 1¼" cromado				

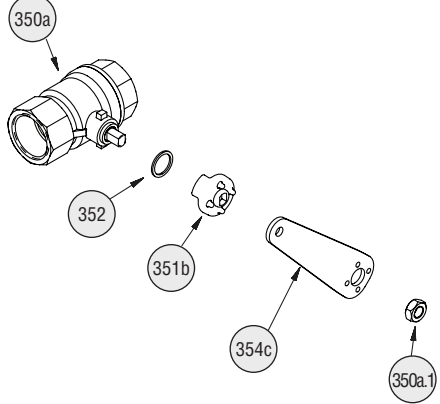
Piezas de repuesto — Ducha de aspersión



Piezas de repuesto — Ducha de aspersión

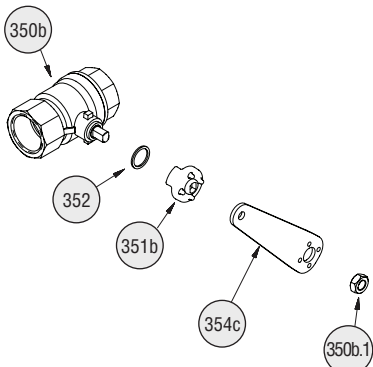
Paquete válvula latón incluye art. 350a, 352, 351b, 354a, 355c, 350a.1

- S30-059 (válvula latón estándar)
- S30-103 (válvula latón autocerrado)
- S30-125 (válvula latón autocerrado, Manija 304SS)

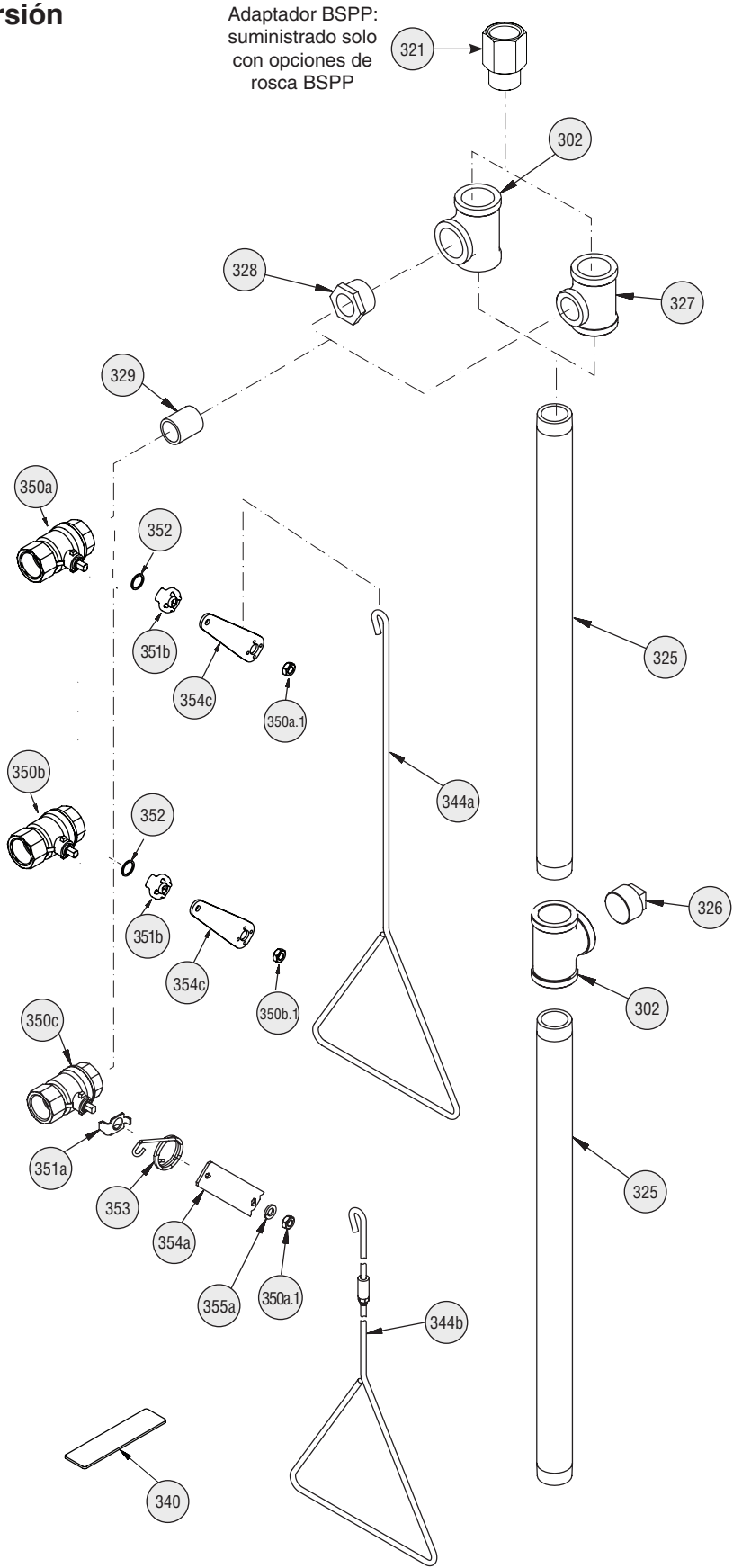
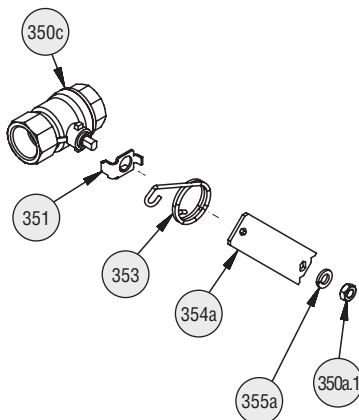


Paquete válvula acero inox incluye art. 350b, 352, 351b, 354b y 350b.1

- S30-061 (válvula acero inox)
- S30-081 (válvula acero inox 316)
- S30-104 (válvula acero inox de protección contra congelamiento)



Paquetes válvula autocerrado
 S19-0011 (válvula latón estándar)
 S30-107 (válvula latón autocerrado)
 incluye art. 350c, 351, 353, 354a, 355a



Lista de piezas — Cabezal rociador y válvula

BSPP = Estándar británico de roscas paralelas para tuberías (no disponible en los Estados Unidos)

Art.	Pieza No.	Ctd.	Descripción	Art.	Pieza No.	Ctd.	Descripción
302	169-727	1	T 1¼" pintado galvanizado	341	204-421	1	Etiqueta de emergencia
302	269-237	2	T 1¼" acero inox	342	114-052	1	Aviso de seguridad
302	269-1398	2	T 1¼" acero inox 316	342	114-052E	1	Aviso de seguridad (No disponible en los Estados Unidos)
302	269-253	1	T 1¼" cromado	343	151-001	2	Gancho
321	169-1117	2	BSPP-NPT 1-1/4" 303SS	344a	128-156A	1	Varilla de tiro
321	169-1118	2	BSPP-NPT 1-1/4" 316SS	344b	S90-365D	1	Varilla de tiro ADA
325	113-1199	2	Tubería 1¼" x 26"	344a	128-157	1	Varilla de tiro acero inox 316
325	113-1195	2	Tubería 1¼" x 26" acero inox 316	350a	S27-278	1	Válvula 1"
325	113-1200	2	Tubería 1¼" x 26" acero inox	350a	S27-301	1	Válvulas de protección contra congelamiento 1"
325	113-1201	2	Tubería 1¼" x 26" cromado	350a.1	110-214	1	Tuerca
326	169-724	1	Tápon 1¼" pintado galvanizado	350b	S27-368	1	Válvula 1" acero inox
326	269-251	1	Tápon 1¼" cromado	350b	S27-369	1	Válv. de protección contra congelamiento 1" acero inox
326	269-238	1	Tápon 1¼" acero inox	350b.1	110-264	1	Tuerca acero inox 316
326	269-1402	1	Tápon 1¼" acero inox 316	350c	S27-286	1	Válvula autocerrado 1"
327	169-722	1	T 1¼" x 1" x 1¼"	351a	140-720	1	Soporte de tope
327	269-249	1	T 1¼" x 1" x 1¼" cromado	351b	153-489	1	Adaptador acero inox
328	269-1400	1	Reductor 1¼" x 1" acero inox 316	351b	153-496	1	Adaptador acero inox 316
328	269-236	1	Reductor 1¼" x 1" acero inox	352	124-048	1	Rondana
329	113-006LN	1	Tub. 1" x rosca exterior pintado galvanizado	353	S19-001	1	Resorte
329	113-1214	1	Tubería 1" x rosca exterior acero inox 316	354a	128-129	1	Manija
329	113-006NL	1	Tubería 1" x rosca exterior acero inox	354c	128-205	1	Manija acero inox 316
329	113-625	1	Tubería 1" x rosca exterior cromado	354c	128-178	1	Manija acero inox 430
330	113-006MT	1	Tubería 1" x 21" pintado galvanizado	354c	128-201	1	Manija
330	113-1215	1	Tubería 1" x 21" acero inox 316	355a	142-002DC	1	Contratuerca ¾"
330	113-864	1	Tubería 1" x 21" acero inox	360a	S24-188	1	Conjunto de cabezal rociador
330	113-1216	1	Tubería 1" x 21" cromado	360b	S24-191	1	Conjunto de cabezal rociador acero inox
331	169-847	1	Codo 1" pintado galvanizado	360b	S24-201	1	Conj. de cabezal rociador acero inox 316
331	169-1073	1	Codo 1" cromado	361a	187-053	1	Casco del cabezal rociador acero inox
331	169-1074	1	Codo 1" acero inox	361b	154-058	1	Casco del cabezal rociador plastique
331	169-1075	1	Codo 1" acero inox 316	362	154-147	1	Anillo
340	269-915	1	Almohadilla de agarre preempaquetada				

Piezas de repuesto – Accesorios opcionales

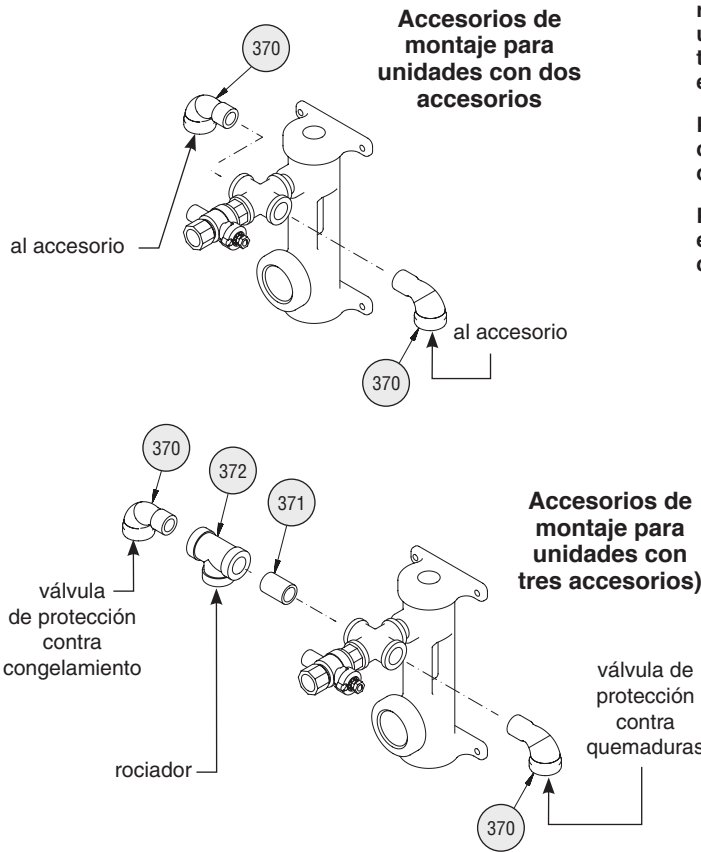


¡ IMPORTANTE !

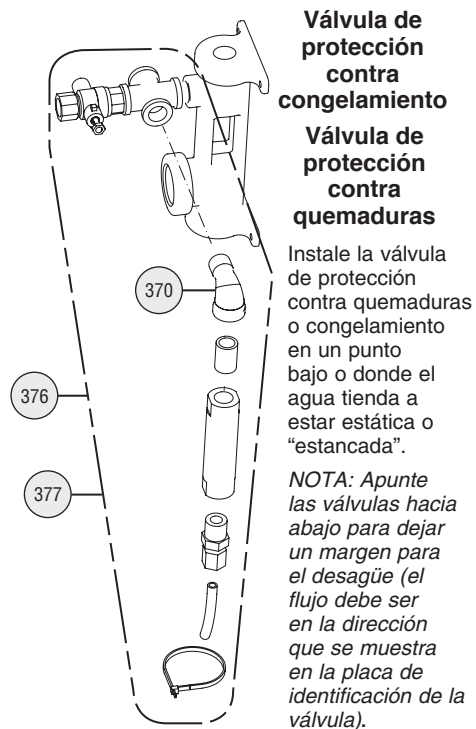
Para evitar el peligro de formación de una capa de hielo, Bradley recomienda que la descarga de la válvula se dirija a través de una manguera o tubería hacia los desechos. Las mangueras o tuberías de descarga deben ser cortas, de modo que no haya agua estancada que se pueda congelar.

Para evitar la restricción en el tubo, asegúrese de que las bridas de la tubería estén ajustadas alrededor de ambos, pero no demasiado apretadas.

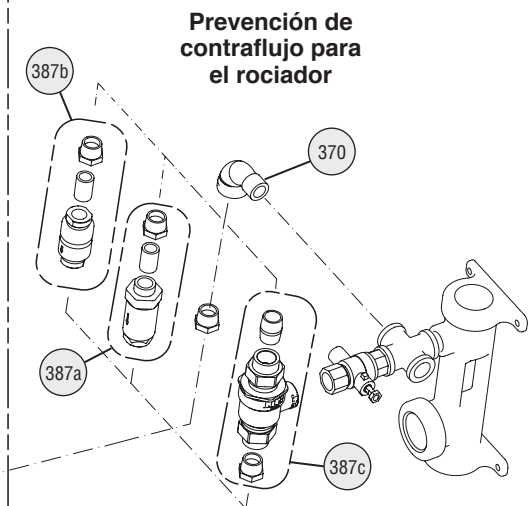
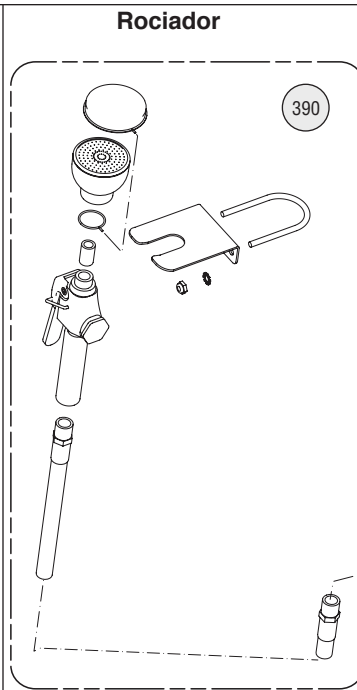
Para obtener los mejores resultados, las unidades deben recibir el suministro por la parte superior al utilizar válvulas contra quemaduras y válvulas contra congelamiento.



Art.	Pieza No.	Cant.	Descripción
370	169-025	la req.	Codo ½"
370	269-241	la req.	Codo ½" acero inox
370	269-1396	la req.	Codo ½" acero inox 316
370	169-862	la req.	Codo ½" cromado
371	113-006LG	1	Tubería ½" x cierre
371	113-867	1	Tubería ½" x cierre acier inox
371	113-1210	1	Tubería ½" x cierre acier inox 316
371	113-006AW	1	Tubería ½" x cierre cromado
372	169-838	1	T ½"
372	169-1100	1	T ½" acero inox
372	269-280	1	T ½" cromado
372	169-1099	1	T ½" acero inox 316



Art.	Pieza No.	Descripción
376	S45-1986	Válvula de protección contra congelamiento
377	S45-1989	Válvula de protección contra quemaduras



Art.	Pieza No.	Cant.	Descripción
387a	S27-303	1	Interruptor de vacío ¾"
387b	S45-2309	1	Prevención de contraflujo N9
387c	S45-2310	1	Prevención de contraflujo 9D
390	S19-430EH	1	Rociador