

- Complies with American National Standard Z358.1
- Acts as a Stationary Eye/Face Wash or Hand-Held Spray for Eyes and Face or Body Rinsing
- Highly Visible Yellow-Colored Hose
- Wall Bracket Included
- Universal Identification Sign and Inspection Tag Included
- Full, One-Year Warranty
- Classified by Underwriters Laboratory Inc. to ANSI Z358.1



### Specifications

Quick-access emergency eye/face spray features soft-flow dual sprayheads for flooding large areas as well as eyes only. Self-coiling hose retracts for easy storage while allowing instant extension in emergency situations. Water flows when handle is squeezed. Hand-held hose sprayhead contains an antimicrobial agent to protect the sprayhead. Operating range is 30–90 psi. Flow rate is 3.9–5.9 gpm.

- This plumbing fixture is not intended to dispense water for human consumption through drinking or for preparation of food or beverages.
- Drench hoses must provide a controlled flushing fluid flow that is both tepid and non-injurious to the user per ANSI Z358.1. Refer to ANSI Z358.1 for complete regulatory information regarding the performance, installation, maintenance, and training requirements for drench hoses.
- Installer to supply backflow prevention as required by UPC, IPC and/or local plumbing codes. Compliance with local codes is the responsibility of the installer. Backflow prevention valves are not included with the fixture and may be supplied by the contractor or purchased from Bradley Corporation. Contact Bradley or visit [bradleycorp.com](http://bradleycorp.com) for available options.

### Standard Equipment

#### Eye/Face Dual Sprayheads

Perforated sprayheads are ABS plastic and feature soft-flow dual sprayheads for flooding large areas as well as eyes only. Includes protective sprayhead covers. Integral flow control assures safe, steady flow under varying water supply conditions.

#### Valve

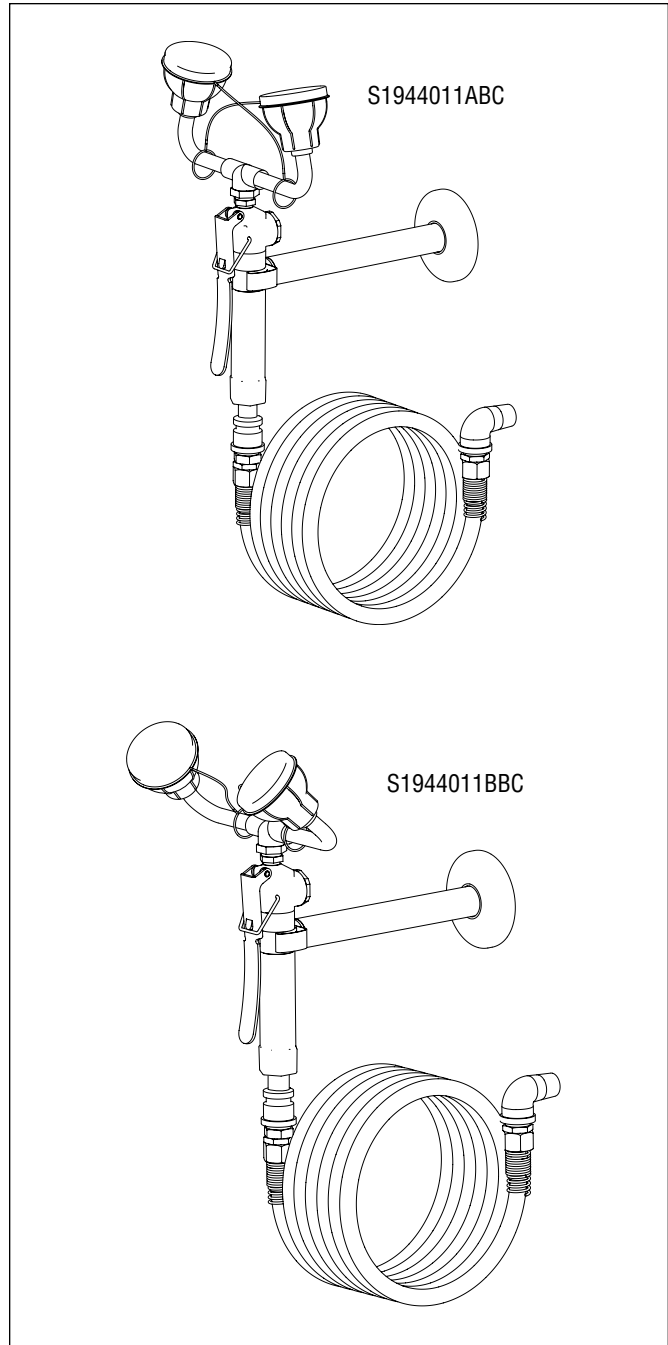
Chrome-plated brass with extended handle stays open once handle is squeezed.

#### Drench Hose

12' (3655mm) yellow reinforced thermoplastic hose is self-coiling. Maximum working pressure of 170 psi. Burst strength is 3 times the maximum working pressure. Supply is ½" female NPT.

#### Wall Bracket

Metal parts of bracket for sprayhead/valve assembly are stainless steel.



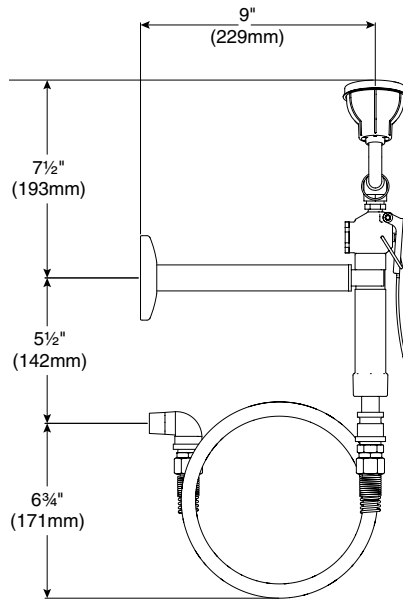
**Recommended Option:**  
 Navigator S19-2000 EFX8  
 Emergency Thermostatic Mixing Valve

**NAVIGATOR**

Satisfies ANSI Z358.1  
 tepid water requirements.

Model	Description
<input type="checkbox"/> <b>S1944011ABC</b>	Dual Purpose Stationary or Removable Eye/Face Wash
<input type="checkbox"/> <b>S1944011BBC</b>	Dual Purpose Stationary or Removable Eye/Face Wash with Angled Sprayheads
<input type="checkbox"/> <b>S27-303</b>	Series 7 Dual-Check Backflow Preventer
<input type="checkbox"/> <b>S45-2309</b>	Series 9 Dual-Check Vacuum Breaker
<input type="checkbox"/> <b>S45-2310</b>	Series 9D Dual-Check Backflow Preventer
<input type="checkbox"/> <b>S19-2000</b>	Navigator EFX8 Emergency Thermostatic Mixing Valve

S1944011ABC



S1944011BBC

