

CORE

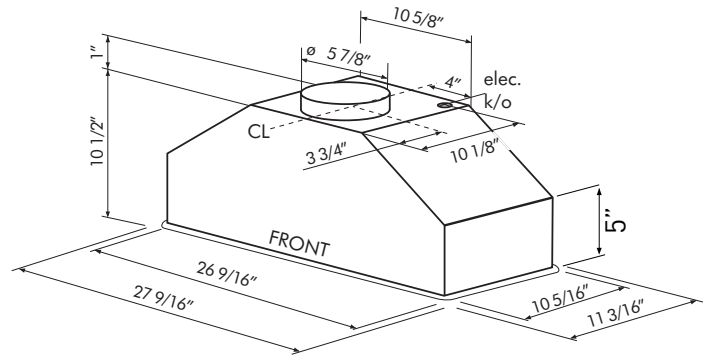
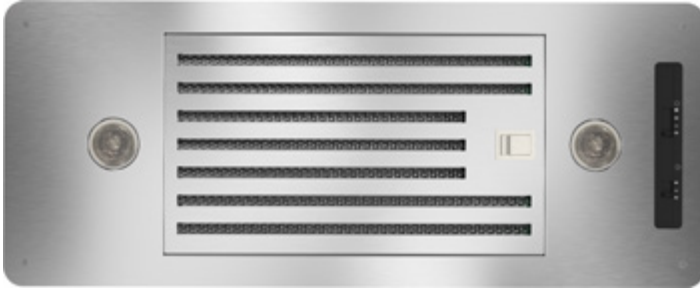
TORNADO I

INSERT

Tornado I provides muscle and flexibility in a small, barely-visible package beneath your customizable vent hood canopy. This 600 CFM power pack features dual-level halogen lighting, 3-speed blower, a newly updated

hybrid baffle filter and an angled housing unit for a better fit with any built-in canopy. An optional stainless steel liner extends and protects your cabinetry.

**ZEPHYR**  
ZEPHYRONLINE.COM



<b>MODEL</b>	
Stainless Steel	AK8100AS-BF
<b>Size</b>	27" (27-9/16")
<b>Blower CFM (Min. - Max.)</b>	200 - 600
<b>Sones (Min. - Max.)</b>	1.4 - 6
<b>FEATURES</b>	
<b>Controls</b>	Mechanical Slide
<b>Speed Levels</b>	3
<b>Auto Delay-Off</b>	No
<b>Lighting</b>	Halogen, 35W x2
<b>Dual-Level Lighting</b>	Yes
<b>Filters</b>	Hybrid Baffle x1
<b>Recirculating Option</b>	No
<b>DUCT SPECIFICATIONS</b>	
<b>Vertical Internal Blower</b>	6" Round
<b>Horizontal Internal Blower</b>	NA
<b>AC POWER</b>	120V, 60Hz at Max. 3.3A

<b>OPTIONAL ACCESSORIES</b>	
<b>30" Liner (17-1/2" - 20-1/2" Depth)</b>	AK0800AS
<b>36" Liner (17-1/2" - 20-1/2" Depth)</b>	AK0836AS
<b>Bloom™ GU10 LED</b>	Z0B0040

<b>MOUNTING HEIGHT RANGE*</b>	24" - 36"
-------------------------------	-----------

<b>WARRANTY</b>	10 years parts, 1 year labor
-----------------	------------------------------

\*Mounting height refers to distance between top of a 36" tall cooking surface and bottom of hood.