



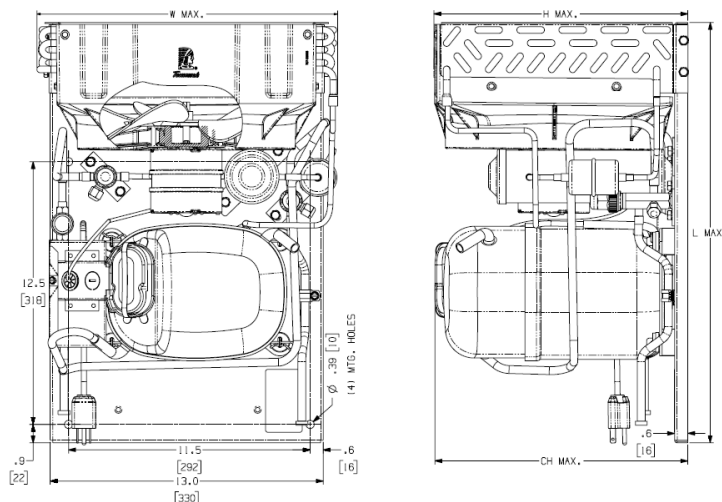
# Celseon® Air Cooled Condensing Unit

Model: AJA4480YNAD\*

BoM: 2G734-09, -\*\*

R-134a

3/4 HP



Model	Dimensions, inches				Line Connection*		Pumpdown	Air	Oil Ch	Gr. Wt.
	L	W	H	CH	Suction	Liquid	90 °F 90%	SCFM	Oz.	Lbs.
AJA4480YNADA	20.0	14.3	12.1	11.6	3/8" S	1/4" S	N/A	230	26	63
AJA4480YNADG					3/8" S	3/8" S	3.2 lbs			64
AJA4480YNADH					3/8" S	3/8" S	N/A			63
AJA4480YNADK					3/8" S	1/4" S	N/A			63
AJA4480YNADC					3/8" S	3/8" S	3.2 lbs			64
AJA4480YNADS					3/8" S	3/8" S	N/A			63
AJA4480YNADJ					3/8" S	3/8" S	3.2 lbs			64
AJA4480YNADP					3/8" S	3/8" S	3.2 lbs			64

\* F = Flare, S = Solder, RF or RS = Rotolock with Flare or Solder Connections, C = Compression Fitting  
Factory charge: 20 PSIG Nitrogen – **MUST BE EVACUATED**

Evaporator T,		Ambient Temperatures											
		80°F			90°F			100°F			110°F		
°F	PSIG	BTUH	Watts	Cond T	BTUH	Watts	Cond T	BTUH	Watts	Cond T	BTUH	Watts	Cond T
20	18.4	5305	875	112	4791	878	120	4300	881	128	3829	884	135
25	22.1	5883	946	116	5328	954	123	4796	962	131	4287	970	139
30	26.1	6467	1022	120	5871	1035	127	5298	1047	135	4749	1060	142
35	30.4	7051	1101	124	6413	1119	131	5800	1136	138	5209	1154	146
40	35.1	7631	1184	127	6950	1207	135	6294	1229	142	5663	1251	149
45	40.1	8201	1271	131	7550	1298	139	6778	1325	146	6106	1352	153
50	45.5	8756	1362	135	7988	1394	142	7246	1425	150	6531	1457	157

## 60 Hz Performance

Return gas temp. 65°F, 5°F sub cooling



# Electrical Diagram Page 3

