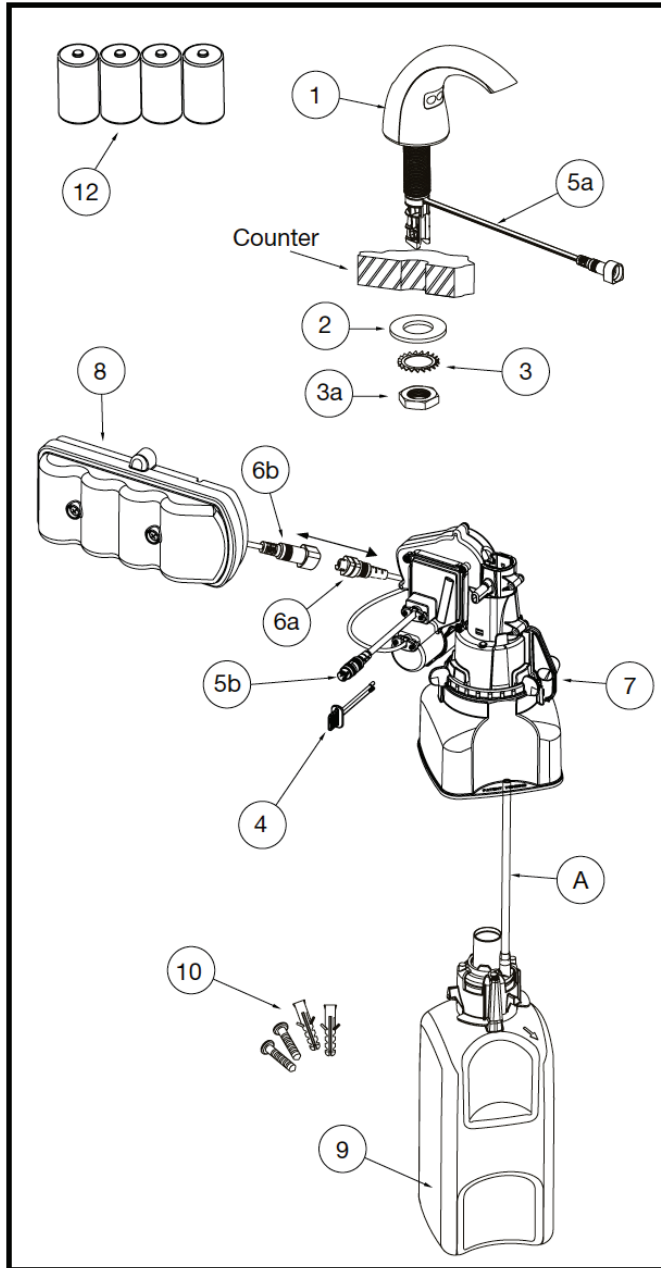


ESD-Series Deck Mounted Soap Dispensers



| ITEM | DESCRIPTION | QTY. |
|------|---|-------|
| 1 | DISPENSER ASSEMBLY | 1 |
| 2 | FLAT WASHER | 1 |
| 3 | LOCK WASHER | |
| 3a | HEX NUT | 1 |
| 4 | RETAINING CLIP | 1 |
| 5 | DATA CABLE (2 HALVES WITH CONNECTOR - a and b) | 1 |
| 6 | POWER CABLE (2 HALVES WITH CONNECTOR - a and b) | 1 |
| 7 | MOTOR ASSEMBLY/BOTTLE SUPPORT | 1 |
| 8 | BATTERY BOX (USES 4 "D" CELL BATTERIES PROVIDED) | 1 |
| 9 | REFILL BOTTLE (SOLD SEPARATELY) | 1 |
| 10 | SCREWS & ANCHORS FOR BATTERY BOX MOUNTING | 2 EA. |
| 11 | WALL CLIP FOR POWER CABLE | 1 |
| 12 | "D" CELL BATTERIES (PROVIDED) | 4 |

To Order Replacement Soap Cartridges

800.321.9647

GOJO Industries

Refills are also available through your local plumbing or janitorial supply distributor.

When the soap bottle is empty, a new bottle must be used. The bottle furnished with the unit is not designed to be refilled. Altering the bottle and refilling it with soap will void the warranty of the product.

Available refills

ESD-321 8565-02-N6300GN: 1500 ml Green Certified Foam Refill (2 Pack)

ESD-322 8545-04-N6300GN: 2300 ml Green Certified Foam Refill (4 Pack)

ATTENTION: do not handle by tube. For proper operation, ensure that tubing is not loose or bent.

Cleaning the Counter Mounted System

Use only mild soap and water to clean the TouchFree Counter Mounted System spout. Cover the sensor window with your thumb while cleaning the spout so that you do not continue to dispense soap.

DO NOT use abrasives to clean the TouchFree Counter-Mounted System (as this may damage the finish or the sensor window).