

M-SERIES

SUBMITTAL DATA: MLZ-KP18NA

18,000 BTU/H ONE-WAY CEILING-CASSETTE ON INDOOR UNIT FOR MXZ MULTI-ZONE HEAT-PUMP SYSTEMS



Job Name:

System Reference:

Date:



INDOOR UNIT FEATURES

- Available sizes: 9, 12, 18 kBTu/h
- Fits between 16" joists
- Stylish, square design panel
- Built in condensate lift mechanism (19.6")
- Serviceable from the bottom (electrical and flare connections)
- Adjustable fan speeds and vane directions
- Pocket inside the unit for kumo cloud[®] wireless interface

SPECIFICATIONS: MLZ-KP18NA

MODEL NAME		MLZ-KP18NA	
Cooling Capacity*1		Btu/h	18,000
Heating Capacity*2		Btu/h	21,000
Electrical	Voltage, Phase, Frequency		208 / 230V, 1-phase, 60 Hz
	Guaranteed Voltage Range		V AC 198 – 253
	Voltage: Indoor - Outdoor, S1-S2		V AC 208 / 230
	Voltage: Indoor - Outdoor, S2-S3		V DC 24
	Voltage: Indoor - Remote controller		V DC 12
MCA		A	1
Fan Motor Full Load Amperage		A	0.68
Fan Motor Output		W	30
Airflow Rate, Dry, Cooling		CFM	212-293-346-403
Airflow Rate, Dry, Heating		CFM	212-311-364-417
External Static Pressure		in. WG	-
Sound Pressure Level Cooling		dB(A)	29-36-41-47
Sound Pressure Level Heating		dB(A)	26-37-42-48
Drain Pipe Size		In. (mm)	Ø1 [26mm]
Condensate Lift Mechanism, Max. Distance		In. (mm)	19 11/16 [500]
Heat Exchanger Type		Plate fin coil	
External Finish Color		White	
Unit Dimensions	W: In. (mm)		43-3/8 [1,102]
	D: In. (mm)		14-3/16 [360]
	H: In. (mm)		7-5/16 [185]
Package Dimensions	W: In.		46 - 5/16 [1,177]
	D: In.		15-3/4 [400]
	H: In.		11 [279]
Unit Weight		Lbs. (kg)	34 [15]
Package Weight		Lbs.	41 [18]
Refrigerant Type		R410A	
Piping	Gas Pipe Size O.D. (Flared)		In.(mm) 1/2 [12.7]
	Liquid Pipe Size O.D. (Flared)		In.(mm) 1/4 [6.35]

AHRI Rated Conditions (Rated data is determined at a fixed compressor speed)	*1 Cooling (Indoor // Outdoor)	°F	80°F DB, 67°F WB // 95°F DB, 75°F WB
	*2 Heating at 47°F (Indoor // Outdoor)	°F	70°F DB, 60°F WB // 47°F DB, 43°F WB

For data on specific indoor units (all ducted, all non-ducted, and both ducted and non-ducted) combinations, see the MXZ Technical and Service Manual.
Applications should be restricted to comfort cooling only; equipment cooling applications are not recommended for low ambient temperature conditions.

ACCESSORIES: MLZ-KP18NA

Anti-Allergy Enzyme Filter	□ MAC-408FT-E
Grille (required)	□ MLP-444W
Backlit, Wall-mounted, Wireless Controller	□ MHK1
Portable Central Controller	□ MCCH1
Wired MA Controller	□ PAR-33MAA
Simple MA Controller	□ PAC-YT53CRAU
Touch MA Controller	□ PAR-CT01MAU-SB
Wireless Temperature and Humidity Sensor	□ PAC-USWHS003-TH-1
System Control Interface	□ MAC-333IF-E*1
Wireless Interface	□ PAC-USWHS002-WF-1
Thermostat Interface	□ PAC-US444CN-1
kumo station™	□ PAC-WHS01HC-E
USNAP Interface	□ PAC-WHS01UP-E
IT Extender	□ PAC-WHS01IE-E
BACNET® Interface	□ PAC-UKPRC001-CN-1
External Fan / Heater Control Relay Adapter	□ CN24RELAY-KIT-CM3
Advanced Blue Diamond Mini-Condensation pump w/ Reservoir & Sensor — 208/230V application	□ X87-835 - 110 to 250V
MaxiBlue Advanced Blue Diamond Mini-Condensation pump w/ Reservoir & Sensor (110V) up to 48,000 Btu/h [recommended]	□ X87-711 - 110V
MaxiBlue Advanced Blue Diamond Mini-Condensation pump w/ Reservoir & Sensor (208/230V) up to 48,000 Btu/h [recommended]	□ X87-721 - 208/230V
MegaBlue Blue Diamond Condensate Pump (110-230V) up to 170,000 Btu/h	□ X87-835
Drain Pan Level Sensor	□ DPLS2
(30A/600V/UL) [fits 2" X 4" utility box]	□ TAZ-MS303

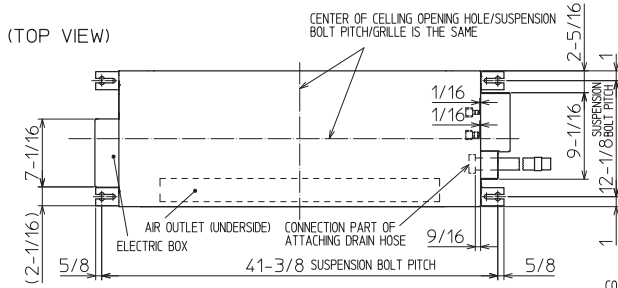
*1 Allows M-Series indoor units to connect to a MA controller

DIMENSIONS: MLZ-KP18NA

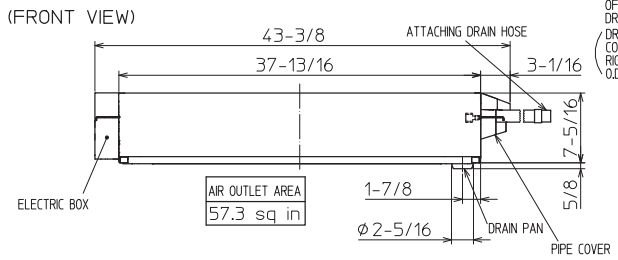
Unit: inch

INDOOR UNIT OUTLINE DRAWING

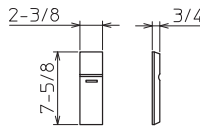
(TOP VIEW)



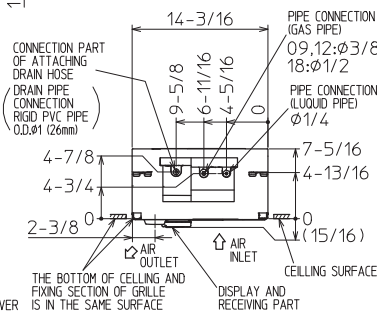
(FRONT VIEW)



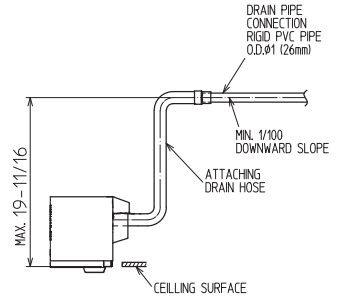
REMOTE CONTROLLER OUTLINE DRAWING



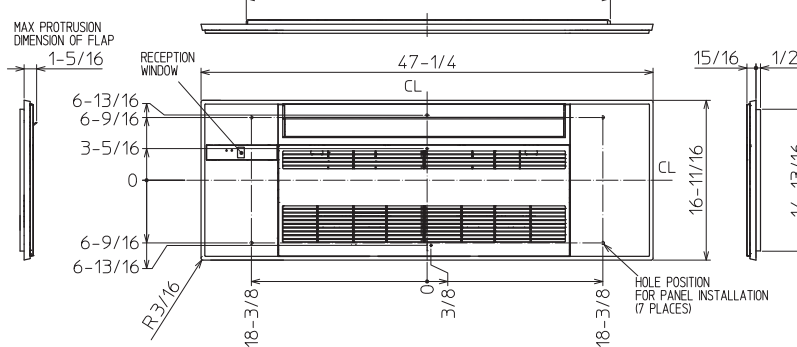
(RIGHT SIDE VIEW)



THE METHOD FOR STANDING DRAIN FROM INDOOR UNIT
* CUT THE DRAIN HOSE (ACCESSORY) FOR USE, IF NECESSARY.



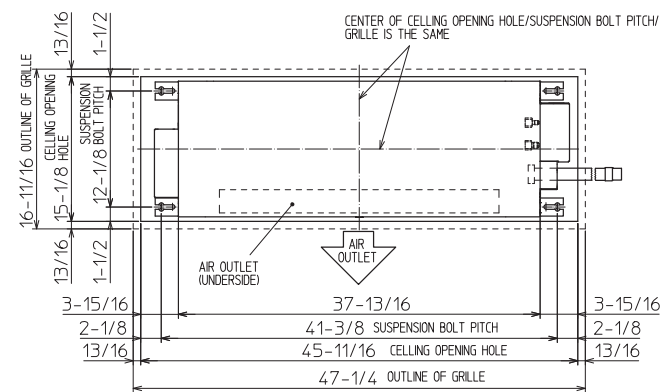
GRILLE OUTLINE DRAWING (MLP-444W)



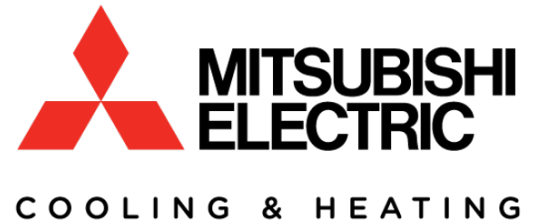
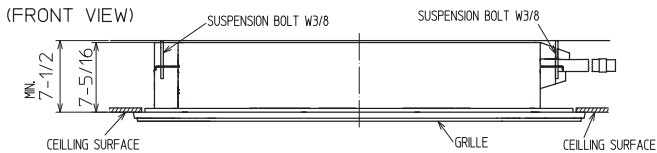
		KP09/12NA	KP18NA
EXTENSION PIPE	LIQUID PIPE O.D.	φ1/4	
	GAS PIPE O.D.	φ3/8	φ1/2
CONNECTION OF PIPE	LIQUID PIPE	FLARED CONNECTION φ1/4	
	GAS PIPE	FLARED CONNECTION φ3/8	FLARED CONNECTION φ1/2
DRAIN HOSE	HEAT INSULATOR O.D.	CONNECTION I.D.	EFFECTIVE LENGTH
	φ1-1/4	φ1	18-7/8
DRAIN PIPE CONNECTION	RIGID PVC PIPE O.D. φ1 (26mm)		

NOTE1. CUT THE DRAIN HOSE (ACCESSORY) FOR USE, IF NECESSARY.

INDOOR UNIT DETAIL VIEW (TOP VIEW)



(FRONT VIEW)



1340 Satellite Boulevard, Suwanee, GA 30024
Toll Free: 800-433-4822 www.mehvac.com

FORM# MLZ-KP18NA For MXZ MULTI-ZONE SYSTEMS - 201803



Specifications are subject to change without notice.

Copyright © 2018 Mitsubishi Electric US, Inc.