



24-INCH MICROWAVE-IN-A-DRAWER

DMR24M977W | MODERNIST COLLECTION



AVAILABLE MODELS

- DMR24M977WS 24" Stainless Steel
- DMR24M977WM 24" Graphite Stainless

FEATURES & BENEFITS

- Drawer Configuration
- Automatic Drawer Opening
- Control Lock
- Beverage Center
- Sensor Cooking

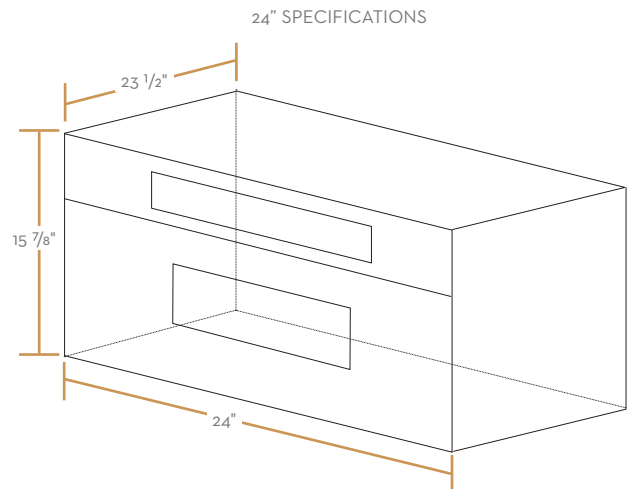
24" SPECIFICATIONS:

WIDTH	24"
HEIGHT	15 7/8"
DEPTH	23 1/2"
CAPACITY	1.2 FT ³
POWER	950W

ACCESSORIES

FLUSH INSTALLATION KIT (GRAPHITE STAINLESS)	ADMRF24M
FLUSH INSTALLATION KIT (STAINLESS STEEL)	ADMRF24S

Shipping Weight: 121 lbs. (all models)



24" STANDARD INSTALLATION DIMENSIONS

24" DRAWER MEASUREMENTS

Figures 1 and 2 contain many Microwave In-A-Drawer™ measurements for reference when planning the drawer's location.

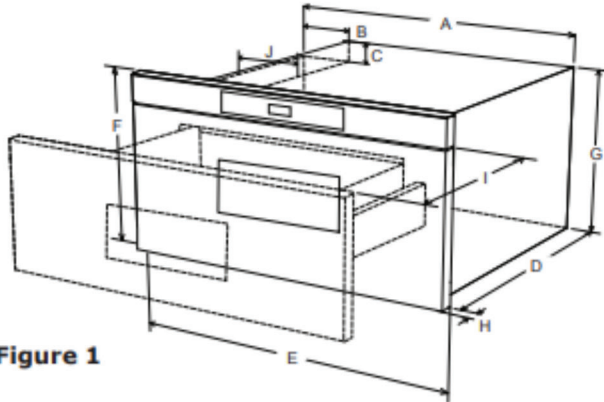


Figure 1

- | | |
|-------------|----------------------------|
| A. 21 5/8" | F. 15 7/8" |
| B. 4 11/16" | G. 14 19/32" |
| C. 1 3/4" | H. 1 9/64" door thickness |
| D. 21 7/8" | I. 15" auto drawer opening |
| E. 23 7/8" | J. 4" |

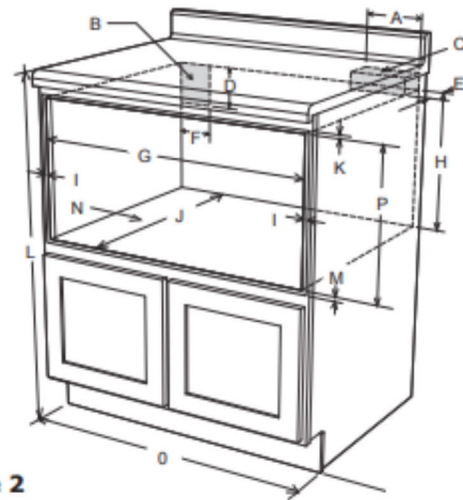


Figure 2

- | | |
|--|---|
| A. 6" | I. Allow 7/8" minimum overlap |
| B. Electrical outlet location | J. 23 1/2" minimum depth |
| C. Anti-tip block | K. Allow 3/16" minimum overlap |
| D. 5" | L. 36" nominal countertop height |
| E. 3 1/2" | M. Allow 1/8" minimum overlap |
| F. 4" | N. Floor must support 100 lbs. |
| G. 22 1/8" opening | O. *24" cabinet minimum |
| H. 14 13/16" to bottom of anti-tip block | P. 15 9/16" opening |
| | NOTE: Open Top Cabinet illustrated |

24" FLUSH MOUNT INSTALLATION DIMENSIONS

1. Prepare cabinet opening as shown in Figures 1, 2A, 2B, 2C.

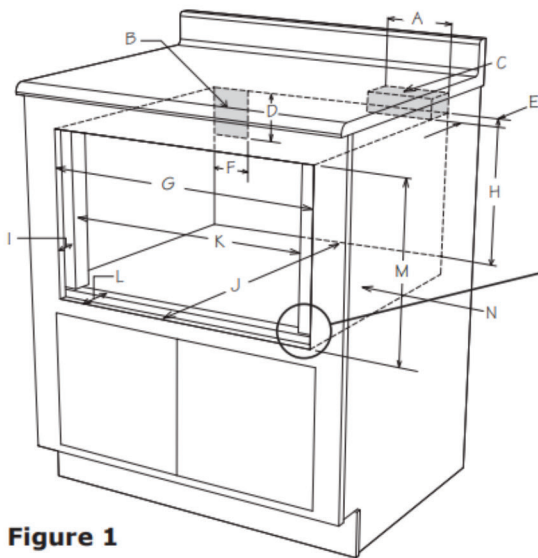


Figure 1

- A. 6" (152.40 mm)
- B. Suggested electrical outlet location
- C. Anti-Tip block
- D. 5" (127 mm)
- E. 3 1/2" (88.90 mm)
- F. 4" (101.60 mm)
- G. 24 3/16" (614.35 mm) minimum
24 1/2" (622.3 mm) maximum
- H. 14 13/16" (376.24 mm) to
bottom of Anti-Tip block
- I. 1 1/16" (26.97 mm)
- J. 23 1/2" (596.90 mm)
minimum depth
- K. 22 1/8" (561.97 mm)
- L. 1 3/4" (44.45 mm)
- M. 16 7/8" (428.62 mm) opening
- N. Floor must support 100 lb (45.4 kg)
- O. 1 3/4" (44.45 mm)

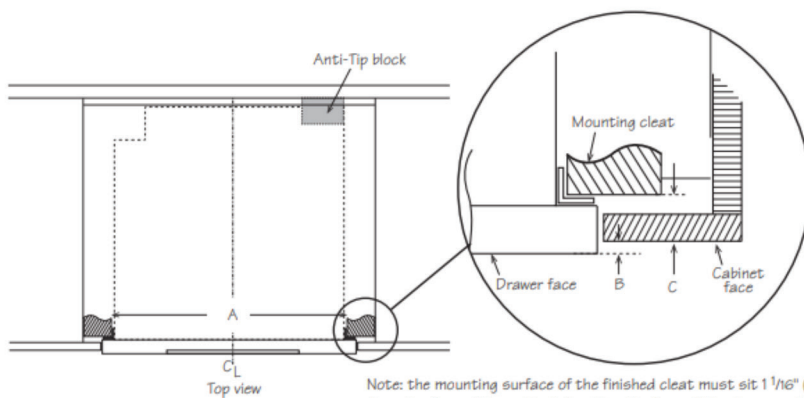
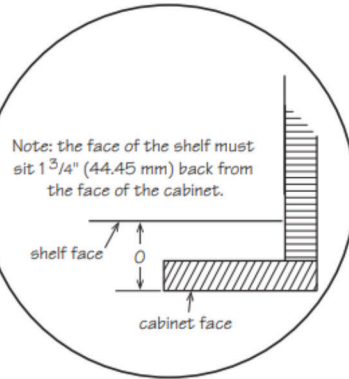


Figure 2A

- A. 22" (558.8 mm) mounting cleat
opening width
- B. 1/4" (6.35 mm)
- C. 1 1/16" (26.97 mm)