



Tecumseh

Electrical Service Parts Guidebook

Wholesale Distribution
North America



Tecumseh

ELECTRICAL
SERVICE PARTS
GUIDE BOOK

Tecumseh Products Company LLC
Ann Arbor, Michigan 48108

Contents

General Service Safety Information

Introduction.....	6	SSR3-Solid State Relay.....	22
Trained Personnel Only.....	6	Start and Run Capacitor Replacement Kits.....	24
Terminal Venting and Electrocutation.....	7	Introduction to ESP Master Replacement Guide.....	25
Refrigerants and Other Chemicals.....	10	ESP Master Replacement Guide.....	26
Compressor Removal.....	11	Introduction to Electrical Drawings.....	81
System Flushing, Purging, and Pressure Testing for Leaks.....	12	Trouble Shooting and Service Chart.....	103
System Charging.....	14		
Prevention of Water-Utilizing System Explosions.....	15		
Start Capacitor Overheating.....	18		
System Evacuation.....	18		
Follow the Labels.....	18		
Additional Information.....	18		
Serial Label Information.....	19		

Introduction

Tecumseh Products Company LLC has prepared this guidebook to assist service personnel in safely working with refrigeration and air conditioning equipment that uses Tecumseh hermetic compressors. It is not designed to replace the training required for professional service personnel. It is also not intended to replace other information available from refrigeration and air conditioning equipment manufacturers.

Trained Personnel Only

Servicing, repairing, and troubleshooting refrigeration and air conditioning systems should be done only by those with the necessary knowledge, training, and equipment.

WARNING

Never service, repair, or troubleshoot unless you are qualified to perform these functions. Improper servicing can lead to serious injury or death from fire, electrical shock, or explosion.

Terminal Venting and Electrocutation

Improperly servicing, repairing, or troubleshooting a compressor can lead to electrocution or fire due to terminal venting with ignition. Follow the precautions below to avoid serious injury or death from electrocution or terminal venting with ignition.

Fire Hazard from Terminal Venting with Ignition

Oil and refrigerant can spray out of the compressor if one of the terminal pins is ejected from the hermetic terminal. This “terminal venting” can occur as a result of a ground fault (also known as a short circuit to ground) in the compressor. The oil and refrigerant spray from terminal venting can be ignited by electricity and produce flames that can lead to serious burns or death. See figures 1 through 3 for detail.

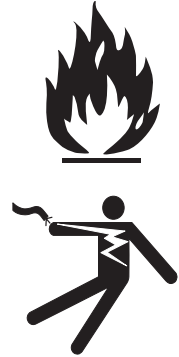
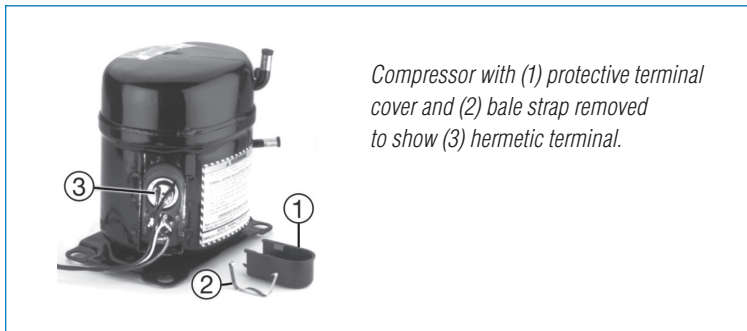
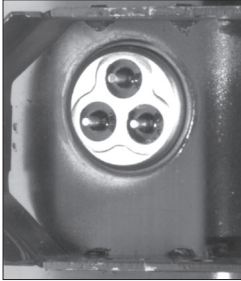


Figure 1



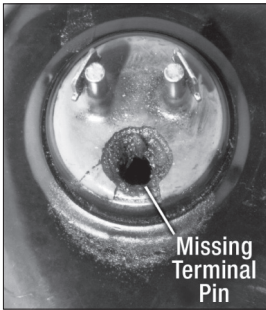
Compressor with (1) protective terminal cover and (2) bale strap removed to show (3) hermetic terminal.

Figure 2



Close-up view of hermetic terminal showing individual terminal pins with power leads removed.

Figure 3



Close-up view of hermetic terminal after it has vented.

Terminal Venting and Electrocutation Precautions

To reduce the risk of electrocution or serious burns or death from terminal venting with ignition:

Be alert for sounds or arcing (sizzling, sputtering or popping) inside the compressor, IMMEDIATELY GET AWAY if you hear these sounds.

Disconnect ALL electrical power before removing the protective terminal cover.

Make sure that all power legs are open. (NOTE: the system may have more than one power supply.)

Never energize the system unless: 1) the protective terminal cover is securely fastened, and 2) the compressor is properly connected to ground.

Figures 4 through 6 illustrate the different means of fastening protective terminal covers.

Figure 4



Compressor with (1) protective terminal cover held in place by (2) metal bale strap.

Figure 5



Compressor with (1) protective terminal cover held in place by (2) nut.

Figure 6



Compressor with (1) snap-in protective terminal cover.

Terminal Venting and Electrocuting Precautions (continued)

Never reset a breaker or replace a fuse without first checking for a ground fault (a short circuit to ground).

An open fuse or tripped circuit breaker is a strong indication of a ground fault (also known as a short circuit to ground). Use only a megohmmeter (“megger”) or a Hi-Potential Ground tester (Hi-Pot) to check for a ground fault. A conventional ohmmeter will not reliably detect a ground fault under certain circumstances. See the Service Handbook for more information on checking for a ground fault. Also, always follow the megger or Hi-Pot manufacturer’s procedures and safety rules.

If a ground fault does exist, keep the power off. **WARNING!** *To avoid electric shock, electrocution, and terminal venting with ignition, do not energize a compressor that has a ground fault.* Mark and red tag the compressor to indicate that there is a ground fault. Do not reconnect the power leads. Tape and insulate each power lead separately.

Disconnect power before servicing.

Always disconnect power before servicing, unless it is required for a specific troubleshooting technique. In these situations, use extreme caution to avoid electrical shock.

Refrigerants and Other Chemicals

Contact with refrigerant, mixtures of refrigerant and oil, or other chemicals can cause a variety of injuries including burns and frostbite. For example, if refrigerant contacts skin or eyes it can cause severe frostbite. Also, in the event of a compressor motor failure, some refrigerant and oil mixtures can be acidic and cause chemical burns.

To avoid injury, wear appropriate protective eyewear, gloves, and clothing when servicing an air conditioning or refrigeration system. Refer to your refrigerant supplier for more information.

If refrigerant or mixtures of refrigerant and oil come in contact with skin or eyes, flush the exposed area with water and get medical attention immediately.

Compressor Removal

Failure to properly remove the compressor can result in serious injury or death from electrocution, fire, or sudden release of refrigerant and oil.

Follow these precautions when removing a compressor from a system:

Disconnect ALL electrical power.

Disconnect all electrical power supplies to the system, making sure that all power legs are open. (NOTE: The system may have more than one power supply.)

Be sure refrigerant is recovered before removing compressor.

Attempting to remove the compressor before removing all refrigerant from the system can cause a sudden release of refrigerant and oil.

Among other things, this can:

- Cause a variety of injuries including burns or frostbite.
- Cause a fire if a torch is used to disconnect tubing.
- Expose the service person to toxic gas.

To avoid serious injury or death, be sure to remove and recover all refrigerant before removing the compressor.

Use a tubing cutter, not a torch.

Use a tubing cutter to remove the compressor. A torch can cause even trace amounts of refrigerant to decompose and release toxic fumes. In addition, using a torch to remove the compressor can cause a fire. If you ignore this recommendation and use a torch, be prepared to extinguish a fire.



System Flushing, Purging, and Pressure Testing for Leaks

Failure to properly flush, purge, or pressure test a system for leaks can result in serious injury or death from explosion, fire, or contact with acid-saturated refrigerant or oil mists.

Follow these precautions when flushing/purging a system or pressure testing a system for leaks:

Use flushing products according to the manufacturer's instructions.

To purge a system, use only dry nitrogen.

When pressure testing for leaks, use only regulated dry nitrogen or dry nitrogen plus trace amounts of the serial label refrigerant.

When purging or pressure testing any refrigeration or air conditioning system for leaks, never use air, oxygen or acetylene.

- Oxygen can explode on contact with oil.
- Acetylene can decompose and explode when exposed to pressures greater than approximately 15 psig.
- Combining an oxidizing gas, such as oxygen air, with an HCFC or HFC refrigerant under pressure can result in a fire or explosion.

Use a pressure regulating valve and pressure gauges.

Commercial cylinders of nitrogen contain pressures in excess of 2000 psig at 70°F. At pressures much lower than 2000 psig, compressors can explode and cause serious injury or death. To avoid overpressurizing the system, always use a pressure regulating valve on the nitrogen cylinder discharge (see Figure 7). The pressure regulator must be able to reduce the pressure down to 1 or 2 psig and maintain this pressure.

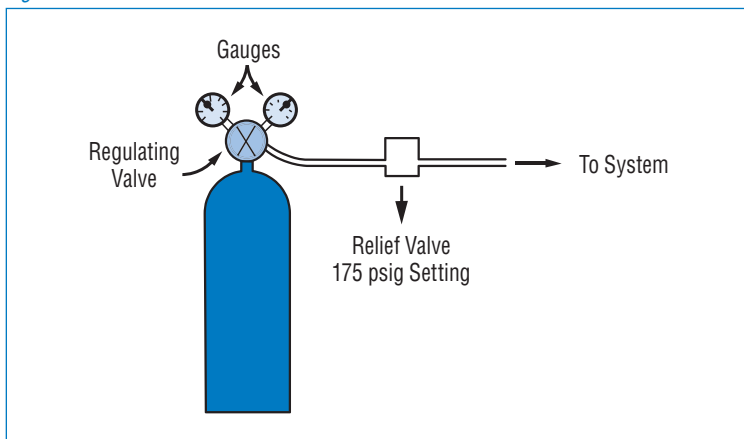
The regulating valve must be equipped with two pressure gauges:

- one gauge to measure cylinder pressure, and
- one gauge to measure discharge or downstream pressure.

Use a pressure relief valve.

In addition to pressure regulating valve and pressure gauges, always install a pressure relief valve. This can also be a frangible disc type pressure relief device. This device should have a discharge port of at least ½" MPT size. The valve or frangible disc device must be set to release at 175 psig (see Figure 7).

Figure 7



Dry nitrogen cylinder with attached pressure regulating and relief valves and pressure gauges needed for pressure testing for leaks and purging.

Do not pressurize the system beyond 150 psig field leak test pressure.

When field testing a system for leaks, 150 psig is adequate test pressure.

Disconnect nitrogen cylinder and evacuate the system before connecting the refrigerant container.

Disconnect the nitrogen cylinder and release the pressure in the system before connecting a refrigerant container to the system. The higher pressure gas in the system can explode the refrigerant container.

System Charging

Failure to properly charge the system can result in serious injury or death from explosion or fire.

Follow these precautions when charging a system:

Do not operate the compressor without charge in the system.

Operating the compressor without a charge in the system can damage the hermetic terminal. As always, to avoid serious injury or death from terminal venting with ignition, never energize the compressor unless the protective terminal cover is securely fastened.

Use proper refrigerant.

Use only the compressor serial label refrigerant when charging the system. Using a different refrigerant can lead to excess system pressure and an explosion. Use of a refrigerant other than the serial label refrigerant voids the compressor warranty.

Do not overcharge a refrigeration or air conditioning system.

Overcharging a refrigeration or air conditioning system can result in an explosion. To avoid serious injury or death, never overcharge the system. Always use proper charging techniques. Limit charge amounts to those specified on the system equipment serial label or in the original equipment manufacturer's service information.

Overcharging the system immerses the compressor motor, piston, connecting rods, and cylinders in liquid refrigerant. This creates a hydraulic block preventing the compressor from starting. The hydraulic block is also known as locked rotor.

Continued supply of electricity to the system causes heat to build in the compressor. This heat will eventually vaporize the refrigerant and rapidly increase system pressure. If, for any reason, the thermal protector fails to open the electrical circuit, system pressure can rise to high enough levels to cause a compressor housing explosion.

Prevention of Water-Utilizing System Explosions

In certain water-utilizing refrigeration systems, water can leak into the refrigerant side of the system. This can lead to an explosion of system components, including but not limited to the compressor. If such an explosion occurs, the resulting blast can kill or seriously injure anyone in the vicinity.

Systems at Risk of Explosion

Water-utilizing systems that have single-wall heat exchangers may present a risk of explosion. Such systems may include:

- water source heat pump/air conditioning systems, and
- water cooling systems, such as icemakers, water coolers, and juice dispensers.

Water-utilizing systems that have single-wall heat exchangers present a risk of explosion unless they have either:

- a high pressure cut-out which interrupts power to ALL leads to compressor, or
- an external pressure relief valve.

How an Explosion Occurs

If the refrigerant tubing in the heat exchanger develops a leak, water can enter the refrigerant side of the system. Water entering the refrigerant side can come in contact with live electrical connections in the compressor causing a short circuit or a path to ground. When this occurs, extremely high temperatures can result. The heat build-up creates steam vapor that can cause excessive pressure throughout the entire system. This system pressure can lead to an explosion of the compressor or other system components.

Service Procedures

In light of the risk of explosion, be especially alert for signs of water leaking into the refrigerant side of the system. Whenever servicing or troubleshooting a water-utilizing system, always check to see if it has either a pressure relief valve or a high pressure cut-out as previously described. If the system does not have at least one of these, DISCONNECT ALL ELECTRICAL POWER and look for indications that water has leaked into the refrigerant side of the system. These indications may include:

- Observation of a report of a blown fuse or tripped circuit breaker.
- Signs that water has leaked to the outside of the system.
- Reports that the system has made gurgling or percolating noises.
- A history of loss of refrigerant charge without a leak being found in the system. NOTE: Common leak detection methods will not detect a water-to-refrigerant leak in the system's heat exchanger(s).
- Observation of or a report of the compressor giving off an unusual amount of heat.

If ANY of these indications are present, do the following checks to determine if water has leaked into the refrigerant side:

Step 1: Check for a Ground Fault (a short to ground)

Use only a megohmmeter (“megger”) or a Hi-Potential Ground tester (“Hi-Pot”) to check for a ground fault. A conventional ohmmeter will not reliably detect a ground fault under certain circumstances. See the Service Handbook for more information on checking for a ground fault. Also, always follow the megger or Hi-Pot manufacturer's procedures and safety rules.

- If a ground fault does not exist, go to Step 2.
- If a ground fault does exist, keep the power off.

WARNING! To avoid electric shock, electrocution, and terminal venting with ignition, do not energize a compressor that has a ground fault. Mark and red tag the compressor to indicate that there is a ground fault. Do not reconnect the power leads. Tape and insulate each power lead separately. Proceed to Step 2. Do not replace the compressor or energize the system before performing Step 2.

Step 2: Check for Water in the System

Once the compressor is cool to the touch, open the system process valve slightly to see if any water comes out of the system. **WARNING!** *Opening the system process valve while the compressor is hot can cause severe burns from steam coming out of the valve.*

If ANY water comes out of the process valve, the entire system **must** be replaced. See “Replacing a Single-Wall Water-Utilizing System” below.

If water does not come out of the process valve, there is still a possibility that some water has leaked into the refrigerant side of the system. To address this possibility, determine if the system has a history of losing refrigerant charge without a leak being found or repaired.

If you find ANY indication of a history of losing refrigerant charge without detection of a leak, this is a sign that refrigerant has leaked in the water inside the heat exchanger. The entire system **must** be replaced. See “Replacing a Single-Wall Water-Utilizing System” below.

If you do not find any indication of a history of loss of charge without detection of a leak, you still need to install:

- a high pressure cut-out which interrupts power to ALL leads to the compressor, or
- an external pressure relief valve.

Also, if you found a ground fault in the compressor in Step 1, replace the compressor before applying power to the system.

Replacing a Single-Wall Water-Utilizing System

When replacing a single-wall water-utilizing system, replace the system with one that has:

- a double-wall heat exchanger(s), or
- a high-pressure cut-out which interrupts power to ALL leads to the compressor, or
- an external pressure relief valve.

Start Capacitor Overheating

An overheated start capacitor can burst and spray or splatter hot material which can cause burns. Applying voltage to a start capacitor for more than a few seconds can cause the capacitor to overheat.

Check capacitors with a capacitance meter, and never check a capacitor with the power on. Use a 20,000 Ohm resistor to discharge the start capacitor, before removing it from the system.

System Evacuation

Never use a compressor to evacuate a system. Instead, use a high vacuum pump specifically designed for that purpose.

Never start the compressor while it is under deep vacuum. Always break a vacuum with refrigerant charge before energizing the compressor.

Failure to follow these instructions can damage the hermetic terminal. As always, to avoid serious injury or death from terminal venting with ignition, never energize the compressor unless the protective terminal cover is securely fastened.

Follow the Labels

Tecumseh compressors have labels and markings with important information. For your safety and the safety of others, read the labels and markings on the product.

Additional Information

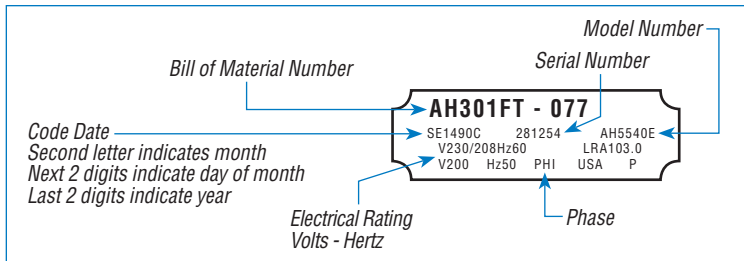
For additional information, request a Tecumseh Service Handbook (call 1-800-211-3427), contact a Tecumseh Authorized Wholesale Distributor, or visit www.tecumseh.com.

Serial Label Information

The only source for complete compressor information is on the compressor serial label. On earlier compressors, the serial plate is usually spot welded on the upper housing of the compressor. For current compressors, the serial label is affixed in the same location. Both describe the characteristics of the compressor.

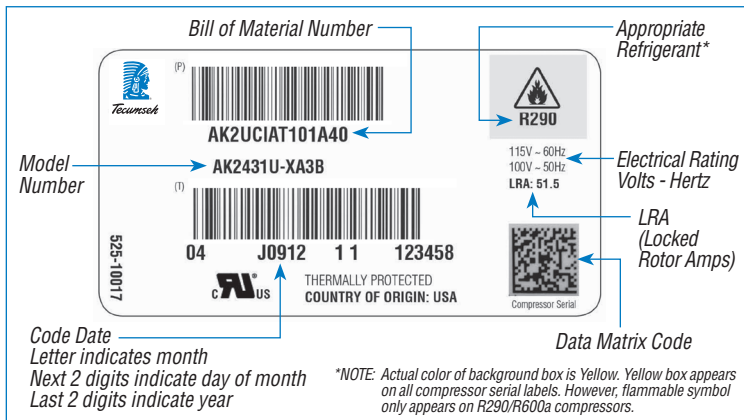
The months are identified in Table 1.

Figure 8



Example compressor serial plate

Figure 9



Example compressor serial label

Table 1: Serial Label Month Identifiers

A – January	D – April	G – July	K – October
B – February	E – May	H – August	L – November
C – March	F – June	J – September	M – December


Figure 10

Manufacturing Code Date

Month = September


Year = 2000

The letter represents the month (see Table 1).
The numbers represent the year.

COMPRESSORS		THERMALLY PROTECTED		CELSEON <small>By Tecumseh</small>		EVAP RANGE(F)		
NO	R.L.A.	EA	L.R.A.	EA	PH.	VOLTAGE		
1	5.82	32			1	115V ~ 60Hz	20Fto55F	
FANS:		H.P.		PH.		MIN. CIRCUIT P.S.I.		
NO.	F.L.A.	EA		PROTECTED	PH.	AMPACITY	HI SIDE LO SIDE	
1	.58	9	WATTS	THERMALLY	YI	7.86	300 150	
SER	18D2117100201			MAX	MAX. CKT. BKR.	REFRIG.	CHARGE	
BM	32F360-59S			FUSE	(HACR TYPE PER NEC)	R-134a		
MOD	AE4440Y-AA1ASC			15				
(1P)	ASSEMBLED IN MEXICO							

Example indoor condensing unit serial label

Figure 11

MODEL AVA2512ZXNLN		REFRIGERANT R-404A	CHARGE (lbs)
SERIAL NO 04D2117200249		EVAP TEMP RANGE (°F) -40Fto10F	
UNIT B.O.M 32L3140-6U		VOLTAGE - HZ - PHASE 208-230V ~ 60Hz	UNIT DATE 4/21/2017
COMPRESSOR MODEL AVA2490ZXN		COMPRESSOR B.O.M AV182ET-001-A2	COMP. DATE 4/15/17
FAN MOTORS(S)	QTY	VOLTAGE-HZ-PHASE	FAN HORSEPOWER
2	2	208-230V ~ 60Hz	50 WATTS
DESIGN PRESSURE (PSIG)	HI	LO	PROTECTION
	450	181	THERMALLY
REMOTE CONDENSER MIN PRESSURE (PSIG)			
		TECUMSEH PRODUCTS COMPANY	
		5424 HIGHWAY 145 SOUTH	
		TUPELO, MS 38879-0527	

First letter indicates month (see Table 1),
next 2 digits indicate day of the month,
following 2 digits indicate year.

Example outdoor condensing unit serial label

Electrical Parts Program

While Tecumseh compressors are designed and manufactured to the most exacting standards, a small percentage will require service, primarily due to the normal wear of electrical component parts such as compressor motor relays and overloads.

Replacement relays and overloads must be accurately matched to the specific compressor involved in order to assure proper performance and prevent equipment failure.

The Tecumseh Electrical Parts Program together with the comprehensive Parts Guidebook are designed to assist the service engineer in obtaining correct Tecumseh parts for Tecumseh compressors regardless of the end product in which the compressor is installed.

Your Tecumseh Authorized Wholesaler Distributor has complete stock of these parts, detailed wiring diagrams, cross reference data and the know-how to help you.

Any part numbers removed from this cross reference is due to obsolescence of the part. This also means that no current replacement parts are available to replace the old numbers and their existence has outlasted the lifetime expectations of the product.

Tecumseh Solid State Relay – SSR3

The SSR3 solid state relay may be used as a replacement for the current type on certain Tecumseh 115 volt RSIR compressors. Below and on the following page is information concerning the Tecumseh SSR3 relay.

Instruction Sheet Solid State Relay – SSR3

This relay is intended to replace all current type push-on relays now specified for Tecumseh resistance start induction run (RSIR) compressors applied in household refrigerators and freezers. It is restricted to 115 volt operation.

It is not to be used

- to replace current type relays now specified for Tecumseh RSIR compressors applied in rapid-cycling systems such as water coolers, etc.
- to replace current or potential type relays on Tecumseh capacitor start induction run (CSIR) compressors; it cannot be used along with a start capacitor.

Note:

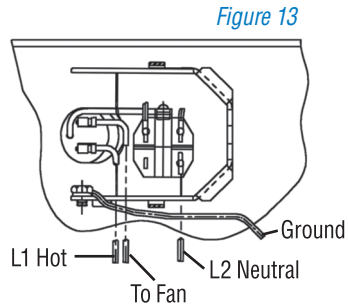
For the above applications refer to Electrical Service Parts Guidebook for proper relay selection.

Caution:

This relay runs very hot during compressor operation. Temperatures in excess of 150°F (66°C) are not uncommon. Allow a cool down period after compressor shut down before attempting to handle or remove.

Installing and Wiring:

1. Disconnect power before removing protective cover.
2. Remove faulty relay and replace with SSR3.
3. Install and wire as shown in Figure 13.
4. If screw type relay termination is required, use adapter and screw provided.
5. Replace protective cover.



Use of Solid State Relays

Tecumseh's position limiting the use of solid state relays to normal cycling 115 volt RSIR compressors is as follows:

- A. It must be realized that a solid state relay is actuated on a thermal basis through the use of a material designated PTC. This PTC material is of a given cold resistance. It heats up rapidly as power is supplied, becomes non-conductive, and effectively opens the start winding circuit.
- B. The usage of a CSIR compressor is generally one of intent in that high starting torque is needed in the application involved. Usually, this is because the compressor will be called upon to restart prior to complete pressure equalization (example, expansion valve systems). If a solid state relay is used on a CSIR compressor, the resistance added to the start winding circuit substantially reduced the starting torque. The result may be that the compressor will not start when required and will cycle on the overload for an undesirable length of time.
- C. Additionally, if a solid state relay is used on an RSIR compressor applied in a rapid-cycling system, again a no-start situation could result. This is due to the cool-down period required of the PTC material, usually 4 to 6 minutes. In effect, the relay may still be hot (non-conductive) when called upon, the start winding will not be energized and the compressor will not restart.

The preceding comments apply to the Tecumseh SSR3 as well as all other solid state relays on the market.

Start and Run Capacitor Replacement Kits

Start Cap P/N	Replacement Kit
85704	K146-03
85PS110C76	K146-17
85PS110C90	K146-21
85PS110C91	K146-22
85PS110C92	K146-23
85PS125D59	K146-52
85PS165C27	K146-14
85PS165C27L1	K146-28
85PS165C42	K146-16
85PS165C77	K146-18
85PS165C78	K146-19
85PS165C95	K146-24
85PS165C96	K146-25
85PS165C98	K146-27
85PS165C99	K146-28
85PS165D21	K146-47
85PS165D64	K146-55
85PS220D01	K146-29
85PS220D02	K146-66
85PS220D57	K146-51
85PS250A58	K146-05
85PS250B87	K146-09
85PS250C19	K146-10
85PS250C30	K146-15
85PS250D05	K146-32
85PS250D06	K146-33
85PS250D07	K146-34
85PS250D09	K146-36
85PS250D10	K146-37
85PS250D19	K146-46
85PS330C20	K146-11

Start Cap P/N	Replacement Kit
85PS330C23	K146-12
85PS330084	K146-10
85PS330D12	K146-65
85PS330D14	K146-41
85PS330D15	K146-42
85PS330D16	K146-43
85PS330D17	K146-44
85PS330D18	K146-45
85PS330D23	K146-49
85PS330D80	K146-42

Start Cap P/N	Replacement Kit
85PR220F12	K150-02
85PR240F37	K150-08
85PR370E35	K150-06
85PR370E36	K150-03
85PR370E63	K150-16
85PR370F17	K150-14
85PR370F20	K150-07
85PR370F21	K150-18
85PR370F23	K150-12
85PR440E65	K150-19
85PR440E90	K150-22
85PR440F18	K150-15
85PR440F19	K150-10
85PR440F22	K150-11
85PR440F24	K150-04
85PR440F27	K150-13
85PR440F28	K150-17
85PR440F90	K150-23

Introduction to ESP Master Replacement Guide

This Guide should be used if the model number, voltage and application of the compressor are known.

Attention should be given to any explanation of information covered under the "Remarks" column. Coding is as follows:

S/Cap Start Capacitor

R/Cap Run Capacitor

Opt. Optional

All voltage shown are 60 hertz and unless otherwise specified are single phase.

All 3450 RPM air conditioning compressors have PSC motors but can be operated CSR by adding the optional starting components. When PSC starting problems are encountered, we recommend using the specified relay and start capacitor.

Certain refrigeration compressors may be serviced with either the specified current type relay or the SSR3 solid state relay.

Model	Volts/Hz/Ph	RLA	LRA	Winding Resistance		Start Cap Part Number	Run Cap Part Number	Relay	Overload	Remarks
				Start	Run					
AB5513G	208-230/60/1	~	~	~	~	K146-12	K150-06	K71-19	INTERNAL	
AB5513H	208-230/60/1	~	~	~	~	K146-12	K150-06	K71-19	INTERNAL	
AB5515G	208-230/60/1	7.2	43.0	~	~	K146-11	K150-06	K71-19	INTERNAL	
AB5515H	265/60/1	6.6	39.5	~	~	K146-12	K150-10	K71-19	INTERNAL	
AB5515H	208-230/60/1	7.2	43.0	~	~	K146-11	K150-06	K71-19	INTERNAL	
AB5515H	265/60/1	6.6	39.5	~	~	K146-12	K150-10	K71-19	INTERNAL	
AB5517G	208-230/60/1	7.8	49.0	~	~	K146-12	K150-10	K71-19	INTERNAL	
AB5517G	265/60/1	7.3	45.0	~	~	K146-12	K150-10	K71-19	INTERNAL	
AB5517H	208-230/60/1	7.8	49.0	~	~	K146-12	K150-10	K71-19	INTERNAL	
AB5517H	265/60/1	7.3	45.0	~	~	K146-12	K150-10	K71-19	INTERNAL	
AB5519	208-230/60/1	9.0	53.0	~	~	K146-36	K150-07	K71-19	INTERNAL	
AB5519F	265/60/1	8.5	46.0	~	~	K146-12	K150-11	K71-17	INTERNAL	
AB5519G	208-230/60/1	9.0	53.0	~	~	K146-36	K150-07	K71-19	INTERNAL	
AB5519G	265/60/1	8.5	46.0	~	~	K146-12	K150-11	K71-17	INTERNAL	
AB5519H	208-230/60/1	9.0	53.0	~	~	K146-36	K150-07	K71-19	INTERNAL	
AB5519H	265/60/1	8.5	46.0	~	~	K146-12	K150-11	K71-17	INTERNAL	
AB5520F	208-230/60/1	9.4	56.0	~	~	K146-36	K150-07	K71-19	INTERNAL	
AB5520F	265/60/1	8.9	54.0	~	~	K146-12	K150-11	K71-17	INTERNAL	
AB5520G	208-230/60/1	9.4	56.0	~	~	K146-36	K150-07	K71-19	INTERNAL	
AB5520G	265/60/1	8.9	54.0	~	~	K146-12	K150-11	K71-17	INTERNAL	
AB5520H	208-230/60/1	9.4	56.0	~	~	K146-36	K150-07	K71-19	INTERNAL	
AB5522F	208-230/60/1	10.5	63.0	~	~	K146-36	K150-07	K71-19	INTERNAL	
AB5522F	265/60/1	9.6	59.2	~	~	K146-12	K150-11	K71-17	INTERNAL	
AB5522G	208-230/60/1	10.5	63.0	~	~	K146-36	K150-07	K71-19	INTERNAL	
AB5522G	265/60/1	9.6	59.2	~	~	K146-12	K150-11	K71-17	INTERNAL	

Model	Volts/Hz/Ph	RLA	LRA	Winding Resistance		Start Cap Part Number	Run Cap Part Number	Relay	Overload	Remarks
				Start	Run					
AB5522H	208-230/60/1	10.5	63.0	~	~	K146-36	K150-07	K71-19	INTERNAL	
AB5524F	208-230/60/1	11.0	64.0	~	~	K146-36	K150-14	K71-19	INTERNAL	
AB5524F	265/60/1	10.2	61.0	~	~	K146-12	K150-17	82964	INTERNAL	
AB5524G	208-230/60/1	11.0	64.0	~	~	K146-36	K150-14	K71-19	INTERNAL	
AB5524G	265/60/1	10.2	61.0	~	~	K146-12	K150-17	82964	INTERNAL	
AB5524H	208-230/60/1	11.0	64.0	~	~	K146-36	K150-14	K71-19	INTERNAL	
AB5527H	208-230/60/1	12.9	77.0	~	~	K146-12	K150-14	K71-19	INTERNAL	
AB5528G	208-230/60/1	13.3	80.0	~	~	K146-36	K150-14	K71-19	INTERNAL	
AB5528G	265/60/1	11.9	72.0	~	~	K146-12	K150-15	K71-20	INTERNAL	
AB5528H	208-230/60/1	13.3	80.0	~	~	K146-36	K150-14	K71-19	INTERNAL	
AB5530G	208-230/60/1	14.0	87.0	~	~	K146-12	K150-14	K71-19	INTERNAL	
AB5530H	208-230/60/1	14.0	87.0	~	~	K146-12	K150-14	K71-19	INTERNAL	
AE1390Y-AA1A	115/60/1	2.7	26.5	6.0	2.4	~	~	SR171102-BE	830-10109	
AE2410A-AA1A	115/60/1	3.1	28.5	4.6	2.3	K146-28	~	K71-38	K90-58	
AE2410Y-AA1A	115/60/1	3.1	28.5	4.6	2.3	K146-28	~	K71-38	K90-58	
AE2410Z-AA1A	115/60/1	3.6	28.0	5.0	2.0	K146-28	~	K71-37	K90-57	
AE2413A-AA1B	115/60/1	3.5	29.0	3.4	1.4	K146-55	~	K71-57	K90-80	
AE2413U-AA1A	115/60/1	3.5	25.5	6.2	2.0	85PS165E36	~	820-10109	830-10055	
AE2413Y-AA1B	115/60/1	3.5	29.0	3.4	1.4	K146-55	~	K71-57	K90-80	
AE2415Z-AA1A	115/60/1	4.5	32.0	4.1	1.7	K146-28	~	K71-39	K90-59	
AE2415Z-GS1A	220/60/1	2.1	15.5	15.6	6.7	85685	~	8209660L74	T96119-23-ZP	
AE2420U-AA1A	115/60/1	5.2	32.5	4.2	1.4	85PS165E26	~	820-10087	830-10118	
AE2420Z-AA1B	115/60/1	5.8	36.0	3.9	0.9	581226	~	562692	570726	
AE2420Z-DS1B	115-127/60/1	5.8	45.0	4.1	0.9	K146-14	~	K71-85	K90-117	
AE2420Z-GS1B	220/60/1	2.6	19.0	19.2	3.6	85S-10009	~	820-10219	830-10283	

Model	Volts/Hz/Ph	RLA	LRA	Winding Resistance		Start Cap Part Number	Run Cap Part Number	Relay	Overload	Remarks
				Start	Run					
AE2420Z-GS3C	220/60/1	1.8	19.4	6.1	3.9	541163	585310	565411	571555	
AE2425Z-AA3C	115/60/1	5.9	39.0	3.9	0.9	K146-58	85PR370E35	K71-14	K90-68	
AE3425A-AA1A	115/60/1	3.7	29.0	5.7	2.9	~	~	K71-34	K90-54	
AE3425Y-AA1A	115/60/1	3.7	29.0	5.7	2.9	~	~	K71-34	K90-54	
AE3430Y-AA1A	115/60/1	4.9	39.0	5.0	1.9	~	~	K71-42	K90-60	
AE3440Y-AA1A	115/60/1	6.0	43.0	4.2	1.6	~	~	K71-42	K90-60	
AE3440Y-XN1A	208-230/60/1	3.1	18.0	18.4	5.4	85PS250D07	~	820-10069	830-10143	
AE4425Y-AA1A	115/60/1	3.6	20.0	5.2	3.0	85PS165E23	~	820-10214	830-10189	
AE4425Z-AA1A	115/60/1	4.2	27.0	5.6	2.1	K146-28	~	K71-45	K90-65	
AE4425Z-XN1A	208-230/60/1	2.0	13.0	29.6	8.3	85PS330E25	~	RP4208-CXR	830-10304	
AE4430A-AA1A	115/60/1	4.9	27.5	5.4	1.9	K146-17	~	K71-35	K90-55	
AE4430E-DS1A	115-127/60/1	4.8	35.5	3.4	1.7	K146-55	~	K71-35	K90-55	
AE4430U-AA1A	115/60/1	4.2	24.5	5.4	2.3	85PS165C99	~	820-10037	830-10113	
AE4430Y-AA1A	115/60/1	4.9	27.5	5.4	1.9	K146-17	~	K71-35	K90-55	
AE4430Y-GS1A	220/60/1	2.4	12.5	10.0	8.6	85S-10016	~	820-10162	~	
AE4430Y-XA1A	115/60/1	4.9	27.5	5.4	1.9	85PS110C76	~	820-10030	830-10325	
AE4430Y-XN1A	208-230/60/1	2.4	13.0	10.0	8.6	85S-10016	~	820-10162	830-10179	
AE4430Z-AA1A	115/60/1	5.1	32.0	3.4	1.7	K146-55	~	K71-46	K90-66	
AE4435U-AA1A	115/60/1	5.0	30.5	4.0	1.6	85PS165E26	~	8209660L88	830-10110	
AE4440A-AA1A	115/60/1	5.8	32.0	3.4	1.7	K146-55	~	K71-36	K90-56	
AE4440E-DS1A	115-127/60/1	5.7	42.0	3.6	1.3	K146-28	~	K71-41	K90-67	
AE4440U-AA1A	115/60/1	5.5	30.5	4.0	1.6	85PS165E26	~	820-10085	830-10071	
AE4440Y-AA1A	115/60/1	5.8	32.0	3.4	1.7	K146-55	~	K71-36	K90-56	
AE4440Y-AC3C	100-115/60/1	4.7	32.5	4.2	1.1	~	~	~	830-10310	
AE4440Y-XN1A	208-230/60/1	3.0	16.0	11.2	5.5	85S-10016	~	K71-44	K90-64	





Model	Volts/Hz/Ph	RLA	LRA	Winding Resistance		Start Cap Part Number	Run Cap Part Number	Relay	Overload	Remarks
				Start	Run					
AE4440Z-AA1A	115/60/1	6.3	36.0	3.9	1.4	K146-28	~	K71-41	K90-67	
AE4450E-DS1B	115-127/60/1	6.2	42.5	4.4	0.9	K146-55	~	K71-73	K90-93	
AE4450Y-AA1A	115/60/1	7.8	42.0	3.8	1.1	K146-55	~	K71-41	K90-61	
AE4450Y-XN3C	208-230/60/1	3.1	24.5	16.8	3.5	85PS330C24	85PR440F95	8200RVAM08	830-10245	
AE4450Z-AA1A	115/60/1	8.2	38.0	3.6	1.2	K146-28	~	K71-48	K90-69	
AE4456E-DS1B	115-127/60/1	7.6	45.0	3.3	0.9	K146-55	~	K71-48	K90-117	
AE4456Y-AA1C	115/60/1	8.5	44.5	4.3	0.8	K146-28	~	K71-49	K90-70	
AE4456Y-XN3C	208-230/60/1	3.3	18.0	16.9	3.3	85PS330E25	85R-10016	820-10165	830-10289	
AE4460U-AA1C	115/60/1	8.9	43.5	4.0	0.9	85S-10085	~	820-10095	830-10036	
AE4460U-AA2C	115/60/1	8.9	49.6	~	~	~	~	~	~	
AE4460Y-AA3C	115/60/1	7.3	49.0	3.8	0.8	K146-28	85PR370F23	K71-51	K90-71	
AE4470Z-AA3C	115/60/1	9.5	48.0	3.7	0.8	K146-28	85PR370F17	K71-52	K90-72	
AE4470Z-ES3C	220/60/1	5.1	29.0	7.4	2.4	541162	545103	565172	571328	
AEA0415EXA	115/60/1	3.7	28.0	12.3	1.6	~	~	~	~	
AEA0415ZXA	115/60/1	4.0	28.0	12.3	1.6	~	~	82453	8300MRTJ36	Tested without Condenser Fan
AEA0415ZXD	208-230/60/1	2.8	21.8	35.8	4.6	~	~	82008EAJ54	83004TMN72	
AEA0418AXA	115/60/1	4.3	28.0	13.5	1.6	~	~	8200EMBE47	K90-11	Tested without Condenser Fan
AEA0423AXA	115/60/1	6.7	40.0	17.3	1.0	~	~	K71-01	8300MRTJ37	Tested without Condenser Fan
AEA1316YXA	115/60/1	1.2	11.7	16.4	7.6	~	~	82462	83781	Tested without Condenser Fan
AEA1320AXA	115/60/1	1.2	11.7	16.4	7.6	~	~	82462	83643	Tested without Condenser Fan
AEA1326YXA	115/60/1	1.2	14.0	13.2	4.2	~	~	820RRT2C20	8300MRPF06	Tested without Condenser Fan
AEA1332AXA	115/60/1	1.4	13.9	15.7	5.2	~	~	82404	83643	
AEA1332YXA	115/60/1	1.6	14.6	15.7	5.2	~	~	K71-26	83004TMN16	
AEA1336ADS	115-127/60/1	~	~	12.0	4.7	~	~	RP4215-ZR	T0926-58-ZP	
AEA1336AGS	220/60/1	0.9	8.5	55.5	15.2	~	~	RP2815-ZR	T43GC-58-ZP	

Model	Volts/Hz/Ph	RLA	LRA	Winding Resistance		Start Cap Part Number	Run Cap Part Number	Relay	Overload	Remarks
				Start	Run					
AE1336AXA	115/60/1	1.7	14.6	15.7	5.2	K146-22	~	K71-61	K90-01	
AE1338YXA	115/60/1	2.1	18.0	16.4	3.4	~	~	K71-05	K90-03	
AE1343AGS	220/60/1	1.2	11.0	~	~	~	~	RP3515-ZR	T0513-58-ZP	
AE1343AXA	115/60/1	2.3	18.0	16.4	3.4	K146-22	~	K71-05	K90-02	
AE1360NAS	115/60/1	2.5	19.5	11.1	2.7	~	~	RP5015-ZR	T7112-58-ZP	
AE1360AGS	220/60/1	1.3	15.3	~	~	~	~	RP4015-ZR	T0910-58-ZP	
AE1360AXA	115/60/1	2.5	22.0	11.0	2.7	~	~	K71-08	K90-07	
AE1360YXA	115/60/1	2.0	20.7	13.4	2.4	~	~	K71-08	K90-04	
AE1380ADS	115-127/60/1	3.7	36.0	11.9	1.5	~	~	RP5715-ZR	T9506-58-ZP	
AE1380AGS	220/60/1	1.5	~	~	~	~	~	RP4218-ZR	T1402-23-ZP	
AE1380ALS	115/60/1	3.5	36.0	6.2	1.4	302P243-292F110	~	RP6018-ZR	830-10014	
AE1380AXA	115/60/1	3.7	31.0	12.0	1.9	K146-22	~	82403	K90-07	
AE1380YXA	115/60/1	2.6	24.0	11.8	1.7	~	~	K71-04	K90-07	Tested without Condenser Fan
AE1410AXA	115/60/1	4.1	35.0	6.9	1.5	~	~	820RR12B11	K90-14	
AE1410YXA	115/60/1	3.2	28.0	12.3	1.6	~	~	K71-01	K90-17	
AE1411EXA	115/60/1	4.5	31.0	12.4	1.4	K146-17	~	K71-09	K90-10	
AE1413AXA	115/60/1	4.6	35.0	6.9	1.5	~	~	RP6502-ZR	MRT24AIN-69	
AE1413YXA	115/60/1	5.0	37.5	14.0	1.0	~	~	8209660A09	K90-79	
AE1415EXA	115/60/1	5.2	39.0	15.2	0.9	K146-17	~	K71-60	K90-16	
AE2380ZXA	115/60/1	4.4	30.2	6.6	1.4	K146-17	~	K71-12	K90-11	
AE2410AXA	115/60/1	4.5	30.2	6.6	1.4	K146-17	~	K71-12	8300MRPD60	
AE2410YXA	115/60/1	5.6	40.0	6.2	1.1	K146-04	~	K71-01	K90-17	
AE2411JXA	115/60/1	4.4	30.2	6.6	1.4	K146-17	~	K71-12	K90-11	Tested without Condenser Fan
AE2411ZXA	115/60/1	5.9	40.0	5.9	1.1	K146-14	~	K71-01	K90-15	Tested without Condenser Fan
AE2411ZXD	208-230/60/1	2.9	20.5	20.6	4.0	K146-35	~	8209660K28	8300MRPD92	

Model	Volts/Hz/Ph	RLA	LRA	Winding Resistance		Start Cap Part Number	Run Cap Part Number	Relay	Overload	Remarks
				Start	Run					
AE2413AXA	115/60/1	4.8	30.2	6.6	1.4	K146-17	~	K71-12	K90-12	
AE2413YXA	115/60/1	5.9	40.0	6.2	1.1	K146-04	~	K71-01	K90-17	
AE2415AAB	115/60/1	6.0	40.0	6.2	1.1	K146-23	~	K71-01	K90-17	
AE2415AXD	208-230/60/1	3.1	20.5	20.4	3.9	K146-30	~	K71-04	8300MRPD92	Tested without Condenser Fan
AE2416JXA	115/60/1	5.9	40.0	5.9	1.1	K146-14	~	K71-01	K90-15	Tested without Condenser Fan
AE2419ZXA	115/60/1	~	45.0	3.2	0.7	~	~	~	~	
EA3414APP	220/60/1	1.2	8.5	60.7	12.8	~	~	RP13501-ZR	83701	
EA3414AXA	115/60/1	2.9	18.0	16.4	3.4	K146-22	~	K71-05	K90-07	
EA3414YXA	115/60/1	2.9	18.0	16.4	3.4	K146-22	~	K71-05	K90-07	
EA3414YXP	220/60/1	1.6	8.5	60.7	12.8	~	~	820-10148	8300MRPF31	
EA3415ZXA	115/60/1	3.3	22.0	9.2	2.7	~	~	K71-08	K90-07	Tested without Condenser Fan
EA3417AXA	115/60/1	3.4	22.0	11.0	2.7	K146-22	~	K71-08	K90-07	
EA3417YXA	115/60/1	3.4	22.0	11.0	2.7	K146-22	~	K71-08	K90-07	
EA3417YXD	208-230/60/1	1.9	13.7	44.8	6.9	~	~	8209660B21	K90-01	
EA3425AXA	115/60/1	4.4	24.0	13.3	2.3	~	~	~	K90-08	
EA3425YXA	115/60/1	4.4	24.0	13.3	2.3	K146-22	~	K71-04	K90-10	
EA3425YXD	208-230/60/1	2.2	13.7	44.8	6.9	K146-29	~	82415	8300MRAN80	
EA3430AXA	115/60/1	5.0	28.0	13.9	1.8	~	~	K71-09	K90-10	
EA3430YXA	115/60/1	5.2	28.0	13.9	1.8	K146-22	~	K71-09	K90-10	
EA3430YXU	100/60/1	5.7	36.0	9.7	1.0	~	~	82453	K90-15	Tested without Condenser Fan
EA3440AXA	115/60/1	6.8	35.0	10.9	1.5	K146-22	~	K71-10	K90-16	
EA3440YXA	115/60/1	6.9	35.0	10.9	1.5	K146-22	~	K71-10	K90-21	
EA3440YXD	208-230/60/1	3.6	21.8	35.8	4.6	~	~	K71-08	8300MRPM67	
EA3448AXA	115/60/1	8.7	40.0	16.1	1.0	~	~	820RR12C28	8300MRAJ87	Alt relay: K71-01; Alt overload: K90-22

Model	Volts/Hz/Ph	RLA	LRA	Winding Resistance		Start Cap Part Number	Run Cap Part Number	Relay	Overload	Remarks
				Start	Run					
AEA3448YXA	115/60/1	8.7	40.0	17.3	1.0	K146-23	~	8209660K13	8300MRAJ87	
AEA4430AXA	115/60/1	5.0	29.0	5.2	1.8	K146-17	~	K71-09	K90-11	
AEA4430AXD	208-230/60/1	2.8	14.4	14.8	5.6	K146-29	~	82476	8300MRPB02	Tested without Condenser Fan
AEA4430YDS	115-127/60/1	5.6	29.0	24.6	5.8	301P243-292F10	~	RP16208-ZR	T8900-83-ZP	
AEA4430YES	220/60/1	3.1	17.5	25.9	5.8	302P64-77F250	~	RP5218-ZR	T96112-23-ZP	
AEA4430YLS	115/60/1	6.6	39.0	4.9	1.4	301P340-408F10	~	RP7008-ZR	T8632-42-ZP	
AEA4430YXA	115/60/1	5.3	29.0	5.1	1.8	K146-17	~	K71-09	K90-12	
AEA4430YXD	208-230/60/1	2.8	14.4	14.9	5.8	K146-33	~	820-10100	8300MRAN76	
AEA4440AES	220/60/1	4.0	18.0	~	~	302P43-53F250	~	RP5418-ZR	T24932-58-ZP	
AEA4440ALS	115/60/1	7.4	39.0	8.6	1.1	302P216-259F10	~	RP7518-ZR	T89400-33-ZP	
AEA4440AXA	115/60/1	6.8	32.7	10.9	1.3	K146-21	~	K71-10	K90-16	
AEA4440AXD	208-230/60/1	3.6	16.8	26.7	4.8	K146-32	~	K71-08	8300MRPA97	Tested without Condenser Fan
AEA4440YAS	115/60/1	7.4	32.7	10.6	1.3	302P145-175F110	~	RP6818-ZR	T99394-23-ZP	
AEA4440YDS	115-127/60/1	8.2	40.0	8.4	1.1	302P270-324F110	~	RP6918-ZR	T12132-58-ZP	
AEA4440YES	220/60/1	3.9	18.0	18.8	4.6	302P43-53F330	~	RP5418-ZR	T96107-58-ZP	
AEA4440YXA	115/60/1	7.2	32.7	10.9	1.3	K146-21	~	K71-10	K90-16	
AEA4440YXD	208-230/60/1	3.9	19.0	27.4	4.7	K146-32	~	K71-08	K90-08	
AEA4448AXA	115/60/1	8.0	40.0	6.2	1.1	K146-23	~	K71-01	K90-19	
AEA4448YXA	115/60/1	8.2	40.0	6.2	1.1	K146-04	~	K71-01	K90-22	
AEA4448YXD	208-230/60/1	5.3	24.5	20.8	3.7	K146-35	~	8200EMBH90	8300MRAN89	
AEA5465EXA	115/60/1	6.2	28.0	13.6	1.4	~	K150-07	K71-19	83949	
AEA5460EXA	115/60/1	7.0	31.0	12.8	1.1	~	K150-03	K71-19	K90-21	
AEA5465EXA	115/60/1	7.7	34.0	11.8	0.9	~	K150-03	K71-19	8300MRAA06	
AEA5465EXD	208-230/60/1	4.0	20.0	8.6	3.0	K146-11	~	~	K90-114	
AEA5465EXV	265/60/1	3.3	16.0	12.0	4.5	K146-11	~	K71-21	8300MRPB68	

Model	Volts/Hz/Ph	RLA	LRA	Winding Resistance		Start Cap Part Number	Run Cap Part Number	Relay	Overload	Remarks
				Start	Run					
AEAS470EES	220/60/1	~	19.5	11.5	3.9	21-25MFD330V-D	15MFD400V-R	RVA2AE3C	830-10003	
AEA5470EXA	115/60/1	8.3	38.0	11.7	0.8	~	~	K71-19	8300MRAA94	
AEA8458EXA	115/60/1	5.2	24.0	13.3	1.6	K146-56	K150-03	K71-19	8300MRAC45	
AEA8467EXA	115/60/1	6.0	34.0	~	~	K146-56	K150-03	K71-19	K90-10	
AEA8469EXA	115/60/1	6.2	34.0	~	~	K146-56	K150-03	K71-19	K90-10	
AEA8475EXA	115/60/1	7.0	34.0	12.4	1.0	K146-56	K150-03	K71-19	8300MRAB59	
AEA9415EXA	115/60/1	4.3	29.0	5.1	1.8	K146-17	~	K71-09	K90-12	
AEA9415YXA	115/60/1	4.2	30.0	6.1	1.3	85PS110C92	~	K71-12	8300MRPP75	
AEA9415ZXA	115/60/1	4.5	29.0	5.1	1.8	K146-17	~	K71-09	K90-13	
AEA9419YXA	115/60/1	5.4	38.0	6.1	1.0	K146-14	~	K71-01	8300MRPE79	Alternate overload kit: K90-13
AEA9422EXA	115/60/1	6.1	40.0	6.2	1.1	K146-14	~	K71-01	K90-15	
AEA9422EXD	208-230/60/1	3.3	20.5	20.6	4.0	302P72-88F250	~	RP15518-ZR	8300MRAN11	
AEA9422YXA	115/60/1	6.7	40.0	6.2	1.1	K146-14	~	K71-01	K90-21	
AEA9422ZXD	208-230/60/1	3.4	21.0	17.3	3.3	K146-15	~	820RR12L30	8300MRPP74	
AEA9423YXA	115/60/1	7.4	45.0	5.8	0.8	K146-04	~	K71-06	8300MRTE81	Tested without Condenser Fan
AE13200AXA	115/60/1	1.0	12.9	~	~	~	~	82462	83643	Tested without Condenser Fan
AE1332AXA	115/60/1	1.3	14.0	~	~	~	~	820RR12B99	83974	Tested without Condenser Fan
AE1336AXA	115/60/1	1.7	14.6	15.7	5.2	~	~	82404	83613	Tested without Condenser Fan
AE1343AXA	115/60/1	1.8	18.0	12.5	3.5	~	~	K71-08	8300MRJ91	Tested without Condenser Fan
AE1360AXA	115/60/1	2.2	22.1	~	~	~	~	~	8300MRPG15	
AE1380AXA	115/60/1	2.8	26.6	12.0	1.6	~	~	RP8102-ZR	K90-08	
AE1411AXA	115/60/1	3.8	32.0	10.5	1.3	K146-22	~	K71-09	K90-09	
AE1413AXA	115/60/1	4.2	32.0	10.6	1.3	K146-23	~	RP6202-ZR	K90-09	
AEB3425AXA	115/60/1	4.0	26.6	~	~	~	~	82403	K90-07	Tested without Condenser Fan
AEB3440AXA	115/60/1	6.2	37.5	~	~	~	~	~	~	Tested without Condenser Fan

Model	Volts/Hz/Ph	RLA	LRA	Winding Resistance		Start Cap Part Number	Run Cap Part Number	Relay	Overload	Remarks
				Start	Run					
AED1413ZH	208-220/60/1	3.3	24.0	23.9	3.2	~	~	~	~	
AED1413ZA	115/60/1	5.9	~	~	~	~	~	~	~	
AED2417XA	115/60/1	4.5	30.0	4.7	1.2	~	~	~	~	
AED2413ZH	208-220/60/1	3.1	20.0	18.5	3.9	~	~	~	~	
AED2413ZA	115/60/1	5.9	34.0	4.4	1.2	~	~	~	~	
AED2415ZA	115/60/1	6.7	40.0	3.1	0.8	~	~	~	~	
AED2418ZA	115/60/1	6.6	45.0	3.2	0.7	~	~	~	~	
AED430YVZ	220-230/60/1	2.4	12.9	~	~	~	~	~	~	
AED4456YA	115/60/1	8.9	46.0	3.8	0.8	~	~	~	~	
AEX413Y-DS1B	115-127/60/1	3.9	38.5	2.8	1.7	85S-10015	~	RP7108-ZR	830-10266	Tecumseh Europe compressor, available service kits shown
AEZ4425Z	115/60/1	4.4	21.5	5.9	2.0	K146-16	~	K71-04	K90-11	Tecumseh Europe compressor, available service kits shown
AEZ4440E	208-220/60/1	3.2	18.0	11.4	4.0	K146-12	~	K71-04	K90-07	Tested without Condenser Fan
AEZ4440Z	115/60/1	6.4	31.0	3.8	1.1	K146-14	~	K71-09	K90-18	Tecumseh Europe compressor, available service kits shown
AGA4534XG	460/60/3	5.5	32.0	~	5.6	~	~	~	INTERNAL	
AGA4534AXN	208-230/60/1	17.0	90.0	2.5	0.7	K146-43	K150-17	K71-20	INTERNAL	
AGA4534AXT	200-230/60/3	10.4	60.0	~	1.6	~	~	~	INTERNAL	
AGA4543XG	460/60/3	7.0	47.0	~	3.8	~	~	~	INTERNAL	
AGA4543AXN	208-230/60/1	22.5	115.0	2.4	0.5	K146-43	K150-17	K71-20	INTERNAL	
AGA4543AXT	200-230/60/3	13.8	93.0	~	1.0	~	~	~	INTERNAL	
AGA5546EXH	575/60/3	5.3	30.0	~	8.1	~	~	~	INTERNAL	
AGA5546EXN	208-230/60/1	22.7	115.0	2.4	0.5	~	~	K71-20	INTERNAL	
AGA5546EXT	200-230/60/3	13.5	93.0	~	1.0	~	~	~	INTERNAL	
AGA5549CXT	200-230/60/3	14.5	103.0	~	~	~	~	~	INTERNAL	
AGA5553EXH	575/60/3	6.0	30.0	~	8.1	~	~	~	INTERNAL	



Model	Volts/Hz/Ph	RLA	LRA	Winding Resistance		Start Cap Part Number	Run Cap Part Number	Relay	Overload	Remarks
				Start	Run					
AGA5553EXN	208-230/60/1	26.2	132.0	2.1	0.4	K146-43	K150-19	K71-20	INTERNAL	
AGA5553EXT	200-230/60/3	15.5	103.0	~	0.8	~	~	~	INTERNAL	
AGA5553WXN	208-230/60/1	26.2	132.0	2.1	0.4	~	K150-19	~	INTERNAL	
AGA5553WXT	200-230/60/3	15.5	103.0	~	0.8	~	~	~	INTERNAL	
AGA5561EXH	575/60/3	7.0	39.0	~	5.9	~	~	~	INTERNAL	
AGA5561EXN	208-230/60/1	30.5	165.0	1.7	0.4	K146-43	K150-22	K71-20	INTERNAL	
AGA5561EXT	200-230/60/3	18.0	126.0	~	0.7	~	~	~	INTERNAL	
AGA5561WXN	208-230/60/1	30.5	165.0	1.7	0.4	~	K150-22	~	INTERNAL	
AGA5561WXT	200-230/60/3	18.0	126.0	~	0.7	~	~	~	INTERNAL	
AGA5562CXT	200-230/60/3	18.7	128.4	~	0.6	~	~	~	INTERNAL	
AGA5563CXG	460/60/3	9.2	75.0	~	2.0	~	~	~	INTERNAL	
AGA5568EXN	208-230/60/1	34.5	179.0	1.6	0.3	K146-43	K150-22	K71-20	INTERNAL	
AGA5568EXT	200-230/60/3	20.0	135.0	~	0.6	~	~	~	INTERNAL	
AGA5568WXN	208-230/60/1	34.5	179.0	1.6	0.3	~	K150-22	K71-20	INTERNAL	
AGA5568WXT	200-230/60/3	20.0	128.4	~	0.6	~	~	~	INTERNAL	
AGA5573EXG	460/60/3	11.8	79.0	~	1.7	~	~	~	INTERNAL	
AGA5573EXH	575/60/3	9.4	62.0	~	2.7	~	~	~	INTERNAL	
AGA5573EXT	200-230/60/3	22.2	165.0	~	0.4	~	~	~	INTERNAL	
AGA9530ZXG	460/60/3	7.5	62.0	~	2.5	~	~	~	INTERNAL	
AGA9530ZXN	208-230/60/1	25.0	165.0	1.7	0.4	K146-45	K150-22	K71-20	INTERNAL	
AGA9530ZXT	200-230/60/3	16.0	126.0	~	0.7	~	~	~	INTERNAL	
AGA9534ZXG	460/60/3	8.3	75.0	~	~	~	~	~	INTERNAL	
AGA9534ZXN	208-230/60/1	28.0	179.0	1.6	0.3	K146-20	K150-15	K71-20	INTERNAL	
AGA9534ZXT	200-230/60/3	17.1	135.0	~	0.6	~	~	~	INTERNAL	
AGB4637Y1Z	440/60/3	5.5	42.5	~	~	~	~	~	INTERNAL	

Model	Volts/Hz/Ph	RLA	LRA	Winding Resistance		Start Cap Part Number	Run Cap Part Number	Relay	Overload	Remarks
				Start	Run					
AGB4568ZTZ	440/60/3	11.5	58.0	~	~	~	~	~	INTERNAL	
AGB5546EXN	208-230/60/1	20.8	130.0	~	~	K146-45	K150-14	K71-20	INTERNAL	Two (2) Run Caps required
AGB5553EXN	208-230/60/1	24.6	148.0	~	~	K146-45	K150-14	K71-20	INTERNAL	Two (2) Run Caps required
AGB5553EXT	200-230/60/3	15.1	137.0	~	0.6	~	~	~	INTERNAL	
AGB5561EXN	208-230/60/1	27.8	180.0	~	~	K146-45	K150-18	K71-21	INTERNAL	Two (2) Run Caps required
AGB5561EXT	200-230/60/3	18.0	158.0	~	0.4	~	~	~	INTERNAL	
AGB5568EXH	575/60/3	7.7	49.0	~	3.4	~	~	~	INTERNAL	
AGC5546EXG	460/60/3	7.0	47.0	~	3.8	~	~	~	INTERNAL	
AGC5553EXG	460/60/3	7.8	54.0	~	2.9	~	~	~	INTERNAL	
AGC5561EXG	460/60/3	9.5	62.0	~	2.5	~	~	~	INTERNAL	
AGC5568EXG	460/60/3	10.6	75.0	~	2.0	~	~	~	INTERNAL	
AH2490AT	208-230/60/1	8.2	51.0	~	~	K146-05	~	K71-24	INTERNAL	Two (2) Relays and Start Caps required
AH2513AT	208-230/60/1	9.7	71.0	~	~	K146-05	K150-06	K71-17	INTERNAL	Two (2) ea reqd: Relays, Start and Run Caps
AH4550AT	208-230/60/1	12.0	71.0	~	~	K146-36	K150-14	K71-19	INTERNAL	Two (2) ea reqd: Relays, Start and Run Caps
AH5519E	208-230/60/1	11.5	50.0	4-7	5-9	K146-36	K150-14	K71-19	INTERNAL	
AH5520E	200-230/60/3	6.0	51.0	~	1.6	~	~	~	INTERNAL	
AH5520E	208-230/60/1	10.0	51.0	2-5	3-7	K146-36	K150-14	K71-19	INTERNAL	
AH5520E	265/60/1	11.0	60.0	~	~	K146-12	K150-15	K71-20	INTERNAL	
AH5520F	200-230/60/3	6.0	51.0	~	1.6	~	~	~	INTERNAL	
AH5520F	208-230/60/1	10.0	51.0	2-5	3-7	K146-36	K150-14	K71-19	INTERNAL	
AH5520F	265/60/1	11.0	60.0	~	~	K146-12	K150-15	K71-20	INTERNAL	
AH5522E	200-230/60/3	6.0	51.0	~	1.6	~	~	~	INTERNAL	
AH5522E	208-230/60/1	10.5	55.0	2-5	3-7	K146-36	K150-14	K71-19	INTERNAL	



Model	Volts/Hz/Ph	RLA	LRA	Winding Resistance		Start Cap Part Number	Run Cap Part Number	Relay	Overload	Remarks
				Start	Run					
AH5522E	265/60/1	11.5	65.0	2-7	4-7	K146-12	K150-15	K71-20	INTERNAL	
AH5522F	208-230/60/1	10.5	55.0	2-5	3-7	K146-36	K150-14	K71-19	INTERNAL	
AH5522F	265/60/1	11.5	65.0	2-7	4-7	K146-12	K150-15	K71-20	INTERNAL	
AH5524E	200-230/60/3	6.5	60.0	~	1.6	~	~	~	INTERNAL	
AH5524E	208-230/60/1	10.4	60.0	2-5	3-7	K146-36	K150-14	K71-19	INTERNAL	
AH5524E	265/60/1	11.5	65.0	2-5	3-7	K146-12	K150-15	K71-20	INTERNAL	
AH5524F	208-230/60/1	10.4	60.0	2-5	3-7	K146-36	K150-14	K71-19	INTERNAL	
AH5524F	265/60/1	11.5	65.0	2-5	3-7	K146-12	K150-15	K71-20	INTERNAL	
AH5527E	200-230/60/3	7.6	63.4	~	1.3	~	~	~	INTERNAL	
AH5527E	265/60/1	11.5	73.0	1-5	2-6	K146-12	K150-15	K71-20	INTERNAL	
AH5527F	265/60/1	11.5	73.0	1-5	2-6	K146-12	K150-15	K71-20	INTERNAL	
AH5530E	208-230/60/1	15.0	76.0	2-5	2-6	K146-36	K150-14	K71-19	INTERNAL	
AH5530F	208-230/60/1	15.0	76.0	2-5	2-6	K146-36	K150-14	K71-19	INTERNAL	
AH5531E	200-230/60/3	8.2	63.4	~	1.3	~	~	~	INTERNAL	
AH5531E	208-230/60/1	16.5	76.0	2-5	2-6	K146-36	K150-14	K71-19	INTERNAL	
AH5531E	265/60/1	14.4	71.0	2-5	3-6	K146-12	K150-15	K71-20	INTERNAL	
AH5531F	208-230/60/1	16.5	76.0	2-5	2-6	K146-36	K150-14	K71-19	INTERNAL	
AH5531F	265/60/1	14.4	71.0	2-5	3-6	K146-12	K150-15	K71-20	INTERNAL	
AH5533E	208-230/60/1	16.5	76.0	2-5	3-6	K146-36	K150-14	K71-19	INTERNAL	
AH5533E	265/60/1	14.4	71.0	~	~	K146-12	K150-15	K71-20	INTERNAL	
AH5534E	200-230/60/3	9.7	65.1	~	1.6	~	~	~	INTERNAL	
AH5534E	460/60/3	4.8	32.8	~	6.3	~	~	~	INTERNAL	
AH5534E	208-230/60/1	15.8	88.0	1-5	2-5	K146-36	K150-14	K71-19	INTERNAL	
AH5540E	200-230/60/3	10.8	73.4	~	1.3	~	~	~	INTERNAL	
AH5540E	460/60/3	5.3	37.7	~	5.3	~	~	~	INTERNAL	

Model	Volts/Hz/Ph	RLA	LRA	Winding Resistance		Start Cap Part Number	Run Cap Part Number	Relay	Overload	Remarks
				Start	Run					
AH5540E	208-230/60/1	22.0	103.0	1-5	1-5	K146-43	K150-15	K71-20	INTERNAL	
AH8524E	208-230/60/1	9.7	57.0	~	~	K146-36	K150-14	K71-19	INTERNAL	
AH8529E	208-230/60/1	10.2	57.0	~	~	K146-36	K150-14	K71-19	INTERNAL	
AH8529E	265/60/1	9.2	50.0	~	~	K146-12	K150-15	K71-19	INTERNAL	
AH8529E	208-230/60/1	11.2	57.0	~	~	K146-36	K150-14	K71-19	INTERNAL	
AH8529E	265/60/1	10.0	50.0	~	~	K146-12	K150-15	K71-19	INTERNAL	
AH8532E	208-230/60/1	13.0	65.0	~	~	K146-36	K150-14	K71-19	INTERNAL	
AH8532E	265/60/1	11.3	61.0	~	~	K146-12	50/440	K71-20	INTERNAL	
AH8538E	208-230/60/1	14.9	75.0	~	~	K146-36	K150-14	K71-19	INTERNAL	
AH8538E	265/60/1	12.8	70.0	~	~	K146-12	50/440	K71-20	INTERNAL	
AH8539E	208-230/60/1	16.4	88.0	~	~	K146-36	K150-14	K71-19	INTERNAL	
AH8543E	208-230/60/1	17.1	88.0	~	~	K146-36	K150-14	K71-19	INTERNAL	
AH8543E	265/60/1	14.8	76.0	~	~	K146-12	50/440	K71-20	INTERNAL	
AH8548E	208-230/60/1	20.5	104.0	~	~	K146-43	K150-14	K71-20	INTERNAL	
AH8548E	265/60/1	17.8	92.0	~	~	K146-43	50/440	K71-20	INTERNAL	
AHA2435AXD	208-230/60/1	6.4	45.0	2.5	1.8	K146-05	~	K71-25	INTERNAL	
AHA2445AXD	208-230/60/1	8.2	51.0	2.5	1.1	K146-05	~	K71-24	INTERNAL	
AHA2445AXF	208-230/60/3	3.8	34.0	~	~	~	~	~	INTERNAL	
AHA2445AXG	460/60/3	2.7	24.0	~	~	~	~	~	INTERNAL	
AHA2465ZXB	230/60/1	10.7	75.0	3.6	0.7	K146-20	K150-06	K71-17	INTERNAL	
AHA2465ZXF	208-230/60/1	6.0	47.0	~	1.7	~	~	~	INTERNAL	
AHA2466AXD	208-230/60/1	9.7	71.0	3.6	0.7	K146-07	K150-06	K71-17	INTERNAL	
AHA2466AXF	208-230/60/3	5.4	47.0	~	3.4	~	~	~	INTERNAL	
AHA2466AXG	460/60/3	2.7	24.0	~	6.3	~	~	~	INTERNAL	
AHA2480JXB	230/60/1	9.7	75.0	3.6	0.7	K146-05	K150-06	K71-17	INTERNAL	



Model	Volts/Hz/Ph	RLA	LRA	Winding Resistance		Start Cap Part Number	Run Cap Part Number	Relay	Overload	Remarks
				Start	Run					
AHA2490JXF	208-230/60/1	5.6	47.0	~	1.7	~	~	~	INTERNAL	
AHA2490ZXD	208-230/60/1	14.2	103.0	2.1	0.5	~	~	~	INTERNAL	
AHA2490ZYF	208-230/60/1	8.1	65.0	~	1.5	~	~	~	INTERNAL	
AHA2490ZYG	460/60/3	3.8	27.0	~	6.1	~	~	~	INTERNAL	
AHA2511JXB	230/60/1	11.4	108.0	~	~	K146-05	K150-14	K71-17	INTERNAL	
AHA4518AXD	208-230/60/1	10.0	45.0	3.7	1.3	K146-10	K150-14	K71-19	INTERNAL	
AHA4518AXF	208-230/60/1	6.2	34.0	~	2.6	~	~	~	INTERNAL	
AHA4518AXG	460/60/3	3.6	24.0	~	6.3	~	~	~	INTERNAL	
AHA4520EXD	208-230/60/1	10.0	51.0	3.7	1.0	K146-36	K150-14	K71-19	INTERNAL	
AHA4520EXF	208-230/60/1	5.0	55.5	~	1.6	~	~	~	INTERNAL	
AHA4520EXG	460/60/3	3.2	24.0	~	6.3	~	~	~	INTERNAL	
AHA4522EXD	208-230/60/1	11.0	51.0	3.7	1.0	K146-36	K150-14	K71-19	INTERNAL	
AHA4522EXF	208-230/60/1	7.0	55.5	~	1.6	~	~	~	INTERNAL	
AHA4524EXD	208-230/60/1	12.2	60.0	3.7	0.9	K146-36	K150-14	K71-19	INTERNAL	
AHA4524EXF	208-230/60/1	8.0	55.5	~	1.6	~	~	~	INTERNAL	
AHA4524EXG	460/60/3	3.8	24.0	~	6.3	~	~	~	INTERNAL	
AHA4525AXD	208-230/60/1	15.0	71.0	2.8	0.9	K146-10	K150-15	K71-19	INTERNAL	
AHA4525AXF	208-230/60/1	9.2	55.5	~	1.5	~	~	~	INTERNAL	
AHA4525AXG	460/60/3	4.5	24.0	~	6.3	~	~	~	INTERNAL	
AHA4531EXD	208-230/60/1	16.5	76.0	3.8	0.6	K146-36	K150-14	K71-19	INTERNAL	
AHA4531EXF	208-230/60/1	9.8	65.0	~	1.5	~	~	~	INTERNAL	
AHA4531EXG	460/60/3	4.9	27.0	~	6.1	~	~	~	INTERNAL	
AHA4540EXD	208-230/60/1	22.5	103.0	2.1	0.5	K146-43	K150-15	K71-20	INTERNAL	
AHA4540EXF	208-230/60/1	12.5	72.0	~	1.1	~	~	~	INTERNAL	
AHA4540EXG	460/60/3	6.2	35.0	~	4.6	~	~	~	INTERNAL	

Model	Volts/Hz/Ph	RLA	LRA	Winding Resistance		Start Cap Part Number	Run Cap Part Number	Relay	Overload	Remarks
				Start	Run					
AHA552TXD	208-230/60/1	14.4	71.0	1-5	2-6	K146-36	K150-14	K71-19	INTERNAL	
AHA7480AXD	208-230/60/1	6.5	41.0	4.3	1.8	K146-43	K150-03	K71-17	INTERNAL	
AHA7480AXF	208-230/60/1	4.2	34.0	~	2.6	~	~	~	INTERNAL	
AHA7511AXD	208-230/60/1	9.0	41.0	4.3	1.8	K146-43	K150-07	K71-17	INTERNAL	
AHA7511AXF	208-230/60/1	5.7	34.0	~	2.6	~	~	~	INTERNAL	
AHA7513ZXD	208-230/60/1	11.7	67.4	3.5	0.8	~	~	K71-16	INTERNAL	
AHA7513ZXF	208-230/60/1	7.8	55.5	~	2.8	~	~	~	INTERNAL	
AHA7513ZYG	460/60/3	3.9	24.0	~	~	~	~	~	INTERNAL	
AHA7514AXD	208-230/60/1	10.4	60.0	3.4	0.8	K146-10	K150-14	K71-19	INTERNAL	
AHA7514AXF	208-230/60/1	7.3	55.5	~	1.5	~	~	~	INTERNAL	
AHA7515JXB	230/60/1	11.5	60.0	3.7	0.9	K146-36	K150-14	K71-19	INTERNAL	
AHA7515JXF	208-230/60/1	7.5	55.0	~	1.6	~	~	~	INTERNAL	
AHA7521ZXD	208-230/60/1	18.4	103.0	2.1	0.5	K146-43	K150-15	K71-20	INTERNAL	
AHA7521ZXF	208-230/60/1	10.4	65.0	~	1.5	~	~	~	INTERNAL	
AHA7524JXB	230/60/1	21.0	103.0	2.1	0.5	K146-43	K150-15	K71-20	INTERNAL	
AHA7524ZXF	208-230/60/1	11.0	65.0	~	1.5	~	~	~	INTERNAL	
AHB2511JXD	208-230/60/1	11.4	94.8	2.4	0.5	K146-45	K150-07	820ARR3C44	INTERNAL	
AHB2511JXF	208-230/60/1	7.0	65.0	~	1.5	~	~	~	INTERNAL	
AHB2511JYG	460/60/3	3.8	27.0	~	6.1	~	~	~	INTERNAL	
AHB7511AXD	208-230/60/1	8.6	45.0	3.7	1.3	K146-10	K150-14	K71-19	INTERNAL	
AHC4518YTZ	440/60/3	3.4	45.0	~	6.3	~	~	~	INTERNAL	
AJ1416A	115/60/1	5.6	35.0	~	~	~	~	~	~	
AJ1420E	115/60/1	6.4	48.0	~	~	~	~	~	~	
AJ2416B	115/60/1	5.9	36.0	~	~	K146-47	~	~	~	
AJ4443A	115/60/1	~	~	~	~	K146-47	~	~	~	





Model	Volts/Hz/Ph	RLA	LRA	Winding Resistance		Start Cap Part Number	Run Cap Part Number	Relay	Overload	Remarks
				Start	Run					
AJA492A	208-230/60/1	7.0	41.8	100	1.5	K146-36	~	K71-11	K90-21	
AJ7465K	115/60/1	~	~	~	~	K146-23	K150-03	820ARR3A17	K90-38	
AJA1420EXA	115/60/1	6.4	48.0	6-10	6-9	K146-27	~	~	K90-31	
AJA2416AXA	115/60/1	6.8	38.2	8.2	0.9	K146-25	~	K71-11	K90-17	
AJA2419YXA	115/60/1	6.8	68.0	3.1	0.5	K146-04	K150-03	K71-13	K90-30	
AJA2419ZXA	115/60/1	6.7	68.0	3.1	0.5	K146-04	K150-03	K71-13	K90-30	
AJA2419ZXD	208-230/60/1	3.0	34.0	3.5	1.9	K146-49	K150-03	8200RVAL98	K90-09	
AJA2424JXA	115/60/1	6.6	68.0	3.1	0.5	K146-23	K150-03	K71-13	8300CRBL10	
AJA2424JXD	208-230/60/1	3.0	34.0	3.4	1.8	K146-38	K150-03	820ARR3B89	K90-09	
AJA2425AXA	115/60/1	7.9	57.0	4.2	0.6	K146-14	~	K71-15	K90-92	
AJA2425AXD	208-230/60/1	4.3	30.0	16.1	1.8	K146-66	~	K71-29	K90-98	
AJA2425ZXA	115/60/1	7.9	68.4	3.1	0.5	K146-28	K150-03	K71-18	K90-35	
AJA2425ZXD	208-230/60/1	4.4	38.7	3.7	1.8	K146-49	K150-03	K71-16	K90-18	
AJA2430JXA	115/60/1	8.9	57.0	3.8	0.6	K146-52	~	K71-02	K90-35	
AJA2432ZXA	115/60/1	8.4	67.0	0.6	3.7	K146-16	K150-12	K71-19	K90-29	
AJA4461AXA	115/60/1	9.1	47.0	4.8	0.8	K146-27	~	K71-02	K90-34	
AJA4461AXD	208-230/60/1	4.5	24.0	19.6	2.8	K146-34	~	K71-32	K90-11	
AJA4492AXA	115/60/1	13.7	69.0	3.1	0.4	K146-03	~	K71-14	K90-51	
AJA4492AXD	208-230/60/1	7.0	41.8	11.6	1.6	K146-36	~	K71-11	K90-91	
AJA4492YXA	115/60/1	13.0	69.0	3.1	0.4	K146-18	~	K71-14	K90-51	
AJA4492YXD	208-230/60/1	7.0	41.8	11.6	1.6	K146-36	~	K71-11	K90-91	
AJA4512AXD	208-230/60/1	7.0	41.0	7.1	1.6	K146-13	K150-03	K71-69	K90-88	
AJA4512YXD	208-230/60/1	7.0	41.0	7.1	1.6	K146-13	K150-03	K71-16	K90-23	
AJA5517EXD	208-230/60/1	10.2	55.0	5.1	1.2	K146-13	K150-06	K71-19	K90-36	85FSS30C23, 88-108/330 Start Cap also approved
AJA5517EXV	265/60/1	9.2	52.0	6.1	1.3	K146-11	K150-10	K71-21	83726	

Model	Volts/Hz/Ph	RLA	LRA	Winding Resistance		Start Cap Part Number	Run Cap Part Number	Relay	Overload	Remarks
				Start	Run					
AJA5518EXD	208-230/60/1	11.2	54.0	5.1	1.2	85P250D65	K150-07	K71-19	83735	
AJA5518EXV	265/60/1	8.8	47.0	5.8	1.4	K146-11	K150-13	K71-21	K90-34	
AJA5519EXD	208-230/60/1	11.6	57.0	5.1	1.2	~	K150-07	K71-19	K90-39	
AJA5519EXV	265/60/1	10.0	55.0	6.1	1.3	~	K150-11	K71-21	K90-36	
AJA6435AXA	115/60/1	8.2	38.2	8.5	0.8	K146-24	~	K71-11	83918	
AJA7441AXA	115/60/1	8.8	49.5	2.8	0.7	K146-52	~	K71-03	K90-49	
AJA7441AXD	208-230/60/1	5.0	29.0	2.3	6.6	K146-46	~	K71-31	K90-97	
AJA7452AXA	115/60/1	11.2	65.0	2.9	0.6	K146-19	K150-03	~	~	
AJA7452XD	208-230/60/1	5.1	34.0	3.7	2.0	K146-38	K150-03	K71-16	~	
AJA7461YXA	115/60/1	10.1	68.0	3.1	0.5	K146-04	K150-03	K71-13	K90-38	
AJA7461YXD	208-230/60/1	6.4	46.0	6.6	1.3	K146-12	~	K71-11	K90-18	
AJA7465AXA	115/60/1	11.6	68.0	3.1	0.5	K146-04	K150-03	K71-13	K90-38	
AJA7490ZXD	208-230/60/1	6.9	40.6	2.7	1.5	K146-13	K150-18	K71-16	K90-24	
AJA7494ZXD	208-230/60/1	8.9	54.0	2.6	1.1	K146-09	K150-07	K71-16	~	
AJA8520EXD	208-230/60/1	7.8	40.6	2.7	1.5	~	K150-18	~	K90-24	
AJA9484EXD	208-230/60/1	6.9	54.0	2.7	1.2	K146-09	K150-07	K71-16	K90-35	
AJA9484EXT	200-230/60/3	3.9	36.0	2.9	2.9	~	~	~	570427	
AJB24332XA	115/60/1	10.0	67.0	2.8	0.6	K146-16	K150-12	K71-19	K90-29	
AJB24332XD	208-230/60/1	4.7	37.0	8.1	1.6	K146-13	K150-03	K71-17	K90-20	
AJB24442XA	115/60/1	13.0	87.0	1.7	0.4	K146-28	K150-18	~	8300GB3S28	
AJB24442XA	115/60/1	13.0	87.0	1.7	0.4	K146-28	K150-18	~	8300GB3S28	
AJB24442XD	208-230/60/1	6.5	55.0	4.1	1.0	K146-42	K150-06	K71-30	K90-48	
AJB24442XD	208-230/60/1	6.5	55.0	4.1	1.0	K146-42	K150-06	K71-30	K90-48	
AJB4461AXA	115/60/1	9.5	45.0	4.8	0.8	K146-25	~	K71-02	8300MRTH21	
AJB4461AXD	208-230/60/1	4.8	25.0	21.7	2.7	K146-33	~	~	8300MRTH19	



Model	Volts/Hz/Ph	RLA	LRA	Winding Resistance		Start Cap Part Number	Run Cap Part Number	Relay	Overload	Remarks
				Start	Run					
AJB5513EXA	115/60/1	14.9	70.0	~	~	K146-11	K150-07	~	8300CRAC08	
AJB5513EXD	208-230/60/1	7.5	37.5	9.5	1.8	~	K150-05	K71-19	83927	
AJB5515EXD	208-230/60/1	8.5	41.0	7.8	1.5	~	K150-06	K71-19	K90-34	
AJB5515EXV	265/60/1	7.4	42.0	8.6	1.7	K146-11	K150-10	K71-21	K90-31	
AJB7461JXA	115/60/1	11.2	65.0	2.9	0.6	~	K150-03	~	~	
AJB7461JXD	208-230/60/1	5.2	34.0	3.7	2.0	~	K150-03	K71-16	~	
AJB7465AXD	208-230/60/1	7.0	46.0	6.6	1.3	K146-12	~	K71-02	K90-18	
AJB7510JXD	208-230/60/1	8.8	54.0	2.6	1.1	~	K150-07	~	~	
AJC5519EXD	208-230/60/1	11.6	57.0	5.1	1.2	K146-11	K150-07	K71-19	K90-39	
AJD8520EXV	265/60/1	6.2	34.0	2.5	2.0	K146-11	K150-16	K71-19	INTERNAL	
AJE2422ZXA	115/60/1	7.0	61.0	3.9	0.7	K146-14	K150-13	K71-19	K90-35	Tecumseh Europe model CAJ2432Z, available service kits shown
AJE2433ZHZ	208-220/60/1	4.8	37.0	8.1	1.6	K146-10	K150-04	K71-17	K90-23	Tecumseh Europe model CAJ2446Z, available service kits shown
AJE2433ZXA	115/60/1	10.0	67.0	2.6	0.5	K146-16	K150-13	K71-19	K90-40	Tecumseh Europe Model: CAJ2446Z, available service kits shown
AJE2444ZHZ	208-220/60/1	6.5	55.0	4.1	1.0	K146-41	K150-10	K71-17	K90-35	Tecumseh Europe model: CAJ2464Z, available service kits shown
AJE4461YHZ	208-220/60/1	5.3	24.0	10.2	2.6	K146-39	~	K71-22	K90-16	Tecumseh Europe model CAJ4461Y, available service kits shown
AJE4461YTZ	440/60/3	1.4	10.5	21.0	21.0	~	~	~	INTERNAL	Tecumseh Europe model TAJ4461Y
AJE4461YXA	115/60/1	9.0	46.0	5.0	0.7	K146-27	~	K71-11	K90-35	Tecumseh Europe model CAJ4461Y, available service kits shown
AJE4476YHZ	208-220/60/1	6.0	29.0	11.5	2.2	K146-39	~	K71-31	K90-17	Tecumseh Europe model CAJ4476Y, available service kits shown
AJE4476YXA	115/60/1	10.7	54.0	3.7	0.7	K146-27	~	K71-15	K90-38	Tecumseh Europe model CAJ4476Y, available service kits shown

Model	Volts/Hz/Ph	RLA	LRA	Winding Resistance		Start Cap Part Number	Run Cap Part Number	Relay	Overload	Remarks
				Start	Run					
AJE4492YHZ	208-220/60/1	7.3	38.0	10.0	1.5	K146-12	~	K71-31	K90-19	Tecumseh Europe model CAJ4492Y, available service kits shown
AJE4492YXA	115/60/1	12.5	63.0	3.1	0.5	K146-27	~	K71-15	K90-39	Tecumseh Europe model CAJ4492Y, available service kits shown
AJE4511YHZ	208-220/60/1	7.3	47.0	6.9	1.2	K146-10	K150-04	K71-20	K90-21	Tecumseh Europe model CAJ4511Y, available service kits shown
AJE4511YKZ	220/60/3	4.6	27.6	3.6	3.6	~	~	~	INTERNAL	Tecumseh Europe model TA4511Y
AJE4517ZHZ	208-220/60/1	9.2	51.0	6.1	1.1	K146-10	K150-10	K71-20	K90-35	Tecumseh Europe model CAJ4517Z, available service kits shown
AJE4517ZKZ	220/60/3	5.8	35.0	2.9	2.9	~	~	~	INTERNAL	Tecumseh Europe model TA4517Z
AJE4517ZTZ	440/60/3	3.0	~	11.0	11.0	~	~	~	INTERNAL	Tecumseh Europe model TA4517Z
AJEK518ZHZ	208-220/60/1	8.2	43.0	6.1	1.4	K146-13	K150-04	K71-20	K90-24	Tecumseh Europe model CAJ9513Z, available service kits shown
AJEK518ZXA	115/60/1	16.1	75.0	2.6	0.4	K146-28	K150-13	K71-19	K90-40	Tecumseh Europe Model CAJ9513Z, available service kits shown
AK2424U-XA3B	115/60/1	4.6	32.0	5.0	1.3	K146-49	K150-06	K71-90	K90-124	
AK2430Z-XA3B	115/60/1	6.0	51.5	~	~	K146-49	K150-06	K71-90	K90-127	
AK2430Z-XD3B	208-230/60/1	2.9	22.9	4.6	3.5	K146-02	K150-06	K71-91	K90-107	
AK2431U-XA3B	115/60/1	5.8	51.5	4.0	0.8	K146-49	K150-06	K71-90	K90-127	
AK2431U-XN3B	208-230/60/1	2.7	22.9	4.6	3.5	K146-02	K150-06	K71-91	K90-128	
AK4461V-XA3B	115/60/1	6.7	47.4	4.5	0.9	K146-54	K150-06	K71-90	K90-126	
AK4461Y-XA3B	115/60/1	6.7	47.4	~	~	~	K150-06	~	830-10381	
AK4468V-XA3B	115/60/1	7.8	59.8	4.4	0.7	K146-70	K150-06	K71-67	K90-126	
AK4468Y-XA3B	115/60/1	7.3	59.8	4.4	0.7	~	K150-06	~	830-10381	
AK4481V-XA3B	115/60/1	8.3	51.5	4.0	0.8	K146-49	K150-06	K71-90	K90-126	
AK4481V-XD3B	208-230/60/1	3.8	23.7	4.2	4.2	K146-13	K150-06	K71-62	K90-107	

Model	Volts/Hz/Ph	RLA	LRA	Winding Resistance		Start Cap Part Number	Run Cap Part Number	Relay	Overload	Remarks
				Start	Run					
AK4481Y-XA3B	115/60/1	8.3	51.5	~	~	~	K150-06	~	830-10381	
AK4482U-XA3B	115/60/1	8.0	51.5	~	~	K146-49	K150-06	K71-90	K90-126	
AK4482U-XA3B	115/60/1	9.1	59.8	4.4	0.7	K146-27	K150-06	K71-67	830-10381	
AK4510Z-XA3B	115/60/1	11.2	58.9	~	~	K146-54	K150-06	K71-90	K90-125	
AK4511Z-XA3B	115/60/1	12.1	58.9	3.9	0.6	K146-54	K150-06	K71-90	K90-125	
AK4513Z-XD3B	208-230/60/1	6.8	36.1	~	~	K146-02	K150-06	K71-62	K90-84	
AKA2415ZXA	115/60/1	4.9	30.0	3.4	1.1	K146-41	K150-14	K71-19	8300MSTH07	
AKA2415ZXD	208-230/60/1	2.3	20.0	4.7	3.7	K146-41	K150-06	820ARR3K53	8300MRPT82	
AKA2419ZXD	208-230/60/1	2.6	20.0	7.5	3.3	K146-39	K150-03	K71-16	8300RBC181	
AKA2425ZXA	115/60/1	6.3	40.0	3.2	0.8	K146-42	K150-14	K71-43	K90-63	
AKA2425ZXD	208-230/60/1	3.2	27.0	3.4	3.0	K146-41	K150-07	K90-106	K71-62	
AKA4460YXA	115/60/1	9.5	48.0	4.6	0.7	K146-25	~	K71-02	K90-35	
AKA4460YXD	208-230/60/1	4.8	23.0	6.2	2.8	K146-39	~	K71-22	K90-50	
AKA4476YXA	115/60/1	11.3	58.8	4.2	0.6	K146-52	~	K71-02	K90-27	
AKA4476YXD	208-230/60/1	5.7	27.4	4.7	2.2	K146-37	~	K71-22	K90-86	
AKA4482YXA	115/60/1	12.3	59.0	10.2	0.6	K146-34	~	K71-11	K90-27	
AKA5460EYA	115/60/1	6.0	29.8	~	~	K146-11	K150-07	820ARR3B09	8300MRAC75	
AKA5470EYA	115/60/1	7.1	35.0	9.9	1.0	~	K150-03	K71-19	K90-22	
AKA5470EXD	208-230/60/1	3.5	22.4	~	~	K146-11	K150-03	820ARR3H13	8300MRAD31	
AKA5470EXV	265/60/1	3.0	19.0	~	~	K146-11	K150-03	~	~	
AKA5470YXA	115/60/1	11.3	58.8	4.2	0.6	K146-11	K150-03	K71-19	K90-19	
AKA5483EYA	115/60/1	9.0	43.0	12.1	0.7	K146-11	K150-03	K71-19	K90-26	
AKA5483EXD	208-230/60/1	4.4	21.3	7.8	2.9	~	K150-03	K71-19	K90-16	
AKA5483EXV	265/60/1	3.9	22.3	12.4	4.1	~	K150-03	K71-19	8300MRAB55	
AKA5494EYA	115/60/1	10.4	46.0	~	~	K146-56	K150-03	K71-19	K90-25	

Model	Volts/Hz/Ph	RLA	LRA	Winding Resistance		Start Cap Part Number	Run Cap Part Number	Relay	Overload	Remarks
				Start	Run					
AKA5494EXD	208-230/60/1	5.5	26.0	~	~	K146-56	K150-03	~	8300MRAC72	
AKA5510EXA	115/60/1	10.5	47.0	6.2	0.7	~	K150-07	K71-19	K90-25	
AKA5510EXD	208-230/60/1	5.7	28.0	7.2	1.9	~	K150-03	K71-19	K90-19	
AKA5510EXV	265/60/1	5.0	27.4	9.6	3.0	K146-11	K150-03	K71-19	K90-14	
AKA5511CXD	208-230/60/1	6.7	34.0	10.2	1.7	~	~	~	8300MRAB63	
AKA5511EXA	115/60/1	11.0	50.0	6.0	0.7	~	K150-07	K71-19	K90-39	
AKA5511EXD	208-230/60/1	6.0	31.0	10.4	1.8	K146-39	K150-03	82243	8300MRAC46	
AKA5512EXA	115/60/1	12.5	62.0	7.2	0.5	~	K150-07	K71-21	K90-39	
AKA5512EXD	208-230/60/1	6.8	34.0	10.2	1.7	K146-11	K150-03	K71-16	K90-22	
AKA5512EXV	265/60/1	5.5	33.0	8.8	2.4	K146-11	K150-04	K71-21	K90-18	
AKA8475EXA	115/60/1	5.6	29.8	5.3	1.3	~	K150-07	~	8300MRAC75	
AKA8475EXD	208-230/60/1	2.8	15.9	6.5	3.9	K146-11	K150-03	K71-19	8300MRAE77	
AKA8475EXV	265/60/1	2.6	12.3	9.2	6.1	~	K150-03	K71-19	8300MRAE78	
AKA8483EXA	115/60/1	6.6	35.0	~	~	K146-11	K150-03	K71-19	~	
AKA8494EXA	115/60/1	7.0	40.0	3.2	0.8	~	K150-14	~	8300MRAD64	
AKA8494EXD	208-230/60/1	3.5	20.0	7.5	3.3	K146-11	K150-03	K71-19	8300MRAD96	
AKA8494EXV	265/60/1	3.1	16.0	7.8	4.2	~	K150-03	K71-19	8300MRAD97	
AKA8511EXA	115/60/1	8.9	50.0	6.0	0.7	~	K150-07	K71-19	K90-39	
AKA8511EXD	208-230/60/1	4.8	31.0	10.4	1.8	~	K150-05	K71-19	8300MRAC46	
AKA8511EXV	265/60/1	3.8	26.3	7.1	2.7	~	K150-03	K71-19	8300MRAF48	
AKA8512CXV	265/60/1	4.0	26.3	7.2	2.8	K146-11	K150-03	K71-19	8300MRAD17	
AKA8512EXA	115/60/1	9.4	53.0	~	~	~	~	~	~	
AKA8512EXD	208-230/60/1	4.6	31.2	4.5	2.4	K146-11	K150-07	~	8300MRAF10	
AKA8512EXV	265/60/1	4.2	26.3	7.1	2.7	K146-11	K150-03	K71-19	8300MRAD17	
AKA8513CXD	208-230/60/1	5.6	31.0	10.4	1.8	~	~	K71-19	8300MRAC46	

Model	Volts/Hz/Ph	RLA	LRA	Winding Resistance		Start Cap Part Number	Run Cap Part Number	Relay	Overload	Remarks
				Start	Run					
AKA8513EXA	115/60/1	10.8	5.0	6.0	0.7	~	K150-07	K71-19	K90-39	
AKA8513EXD	208-230/60/1	5.8	31.0	10.4	1.8	K146-56	K150-03	K71-19	8300MRAC46	
AKA8513EXV	265/60/1	4.7	26.3	7.1	2.7	~	K150-03	K71-19	8300MRAD17	
AKA8514EXA	115/60/1	10.8	53.0	3.0	0.7	K146-56	K150-18	820ARRB16	8300CRAC05	
AKA8514EXD	208-230/60/1	5.5	31.2	4.6	2.4	~	K150-07	~	8300MRAE61	
AKA8514EXV	265/60/1	4.8	27.0	8.2	2.8	~	K150-04	K71-19	8300MRAE57	
AKA8515CXV	265/60/1	4.9	33.0	8.8	2.4	~	~	K71-21	K90-18	
AKA8515EXA	115/60/1	13.0	75.0	8.2	0.5	~	K150-14	K71-19	8300CRAC08	
AKA8515EXD	208-230/60/1	6.2	36.0	6.1	2.2	K146-11	K150-07	K71-19	8300MSTE14	
AKA8515EXV	265/60/1	5.4	33.0	8.8	2.4	K146-11	K150-04	K71-21	K90-18	
AKA9427ZXA	115/60/1	7.8	48.0	4.6	0.7	K146-25	~	K71-02	K90-94	
AKA9427ZXD	208-230/60/1	3.8	23.0	6.2	2.8	K146-39	~	K71-32	K90-100	
AKA9428EXA	115/60/1	7.3	48.0	4.6	0.7	K146-25	~	K71-02	K90-35	
AKA9428EXD	208-230/60/1	3.7	23.0	6.2	2.8	K146-39	~	K71-32	K90-13	
AKA9434AXA	115/60/1	7.8	48.0	4.6	0.7	K146-25	~	K71-02	K90-23	
AKA9434AXD	208-230/60/1	4.2	23.0	4.6	0.7	K146-39	~	K71-02	K90-23	
AKA9438ZXA	115/60/1	9.2	58.8	4.2	0.6	K146-52	K150-12	K71-02	K90-34	
AKA9438ZXD	208-230/60/1	4.3	31.0	10.4	1.8	K146-02	K150-03	K71-17	K90-87	
AKA9441AXA	115/60/1	9.2	58.8	4.2	0.6	K146-52	~	K71-02	K90-23	
AKA9441AXD	208-230/60/1	4.6	27.4	4.7	2.2	85PS250D10	~	8200EMB193	K90-19	
AKA9442EXA	115/60/1	8.8	58.8	4.2	0.6	K146-52	~	K71-02	K90-37	
AKA9442EXD	208-230/60/1	4.0	31.0	10.4	1.8	K146-02	K150-03	K71-17	K90-87	
AKA9451ZXA	115/60/1	9.4	50.0	6.0	0.7	K146-15	K150-07	K71-19	K90-90	
AKA9451ZXD	208-230/60/1	5.2	31.0	10.4	1.8	K146-02	K150-03	K71-17	8300MRAM71	
AKA9455EXD	208-230/60/1	4.9	31.0	10.4	1.8	K146-02	K150-03	K71-17	K90-20	

Model	Volts/Hz/Ph	RLA	LRA	Winding Resistance		Start Cap Part Number	Run Cap Part Number	Relay	Overload	Remarks
				Start	Run					
AKA9452XA	115/60/1	10.1	50.0	6.0	0.7	K146-15	K150-07	K71-19	K90-27	
AKA9452XD	208-230/60/1	5.7	31.0	10.4	1.8	K146-02	K150-03	K71-17	K90-20	
AKA9458JXA	115/60/1	9.3	50.0	6.0	0.7	K146-15	K150-07	K71-19	K90-27	
AKA9458JXD	208-230/60/1	5.2	31.0	10.4	1.8	K146-39	K150-03	K71-17	K90-16	
AKA9462YXD	208-230/60/1	5.3	31.0	10.4	1.8	K146-02	K150-03	K71-17	K90-20	
AKA9462ZXA	115/60/1	11.9	68.0	7.1	0.4	K146-15	K150-07	K71-19	K90-40	
AKA9462ZXD	208-230/60/1	6.8	34.0	10.2	1.7	K146-02	K150-03	K71-69	K90-84	
AKA9466JXA	115/60/1	10.4	50.0	6.0	0.7	~	~	K71-19	8300MRA676	
AKA9466JXD	208-230/60/1	5.9	31.0	10.4	1.8	K146-39	K150-03	K71-17	K90-20	
AKA9474JXA	115/60/1	12.2	68.0	7.1	0.5	K146-39	K150-07	K71-16	K90-40	
AKA9474JXD	208-230/60/1	6.8	34.0	10.2	1.7	K146-15	K150-03	K71-16	K90-22	
AKB4476YXA	115/60/1	10.0	43.5	6.7	0.7	K146-38	K150-03	820ARR3K56	K90-27	
ANA5590EXG	460/60/3	13.7	86.1	~	1.4	~	~	~	INTERNAL	
ANA5590EXT	200-230/60/3	27.0	172.0	~	0.3	~	~	~	INTERNAL	
ANA5610EXG	460/60/3	14.4	93.3	~	1.3	~	~	~	INTERNAL	
ANA5610EXT	200-230/60/3	29.0	183.0	~	0.3	~	~	~	INTERNAL	
ANA5612EXG	460/60/3	17.8	116.0	~	0.9	~	~	~	INTERNAL	
ANA5612EXH	575/60/3	14.5	91.0	~	1.6	~	~	~	INTERNAL	
ANA5612EXT	200-230/60/3	36.0	229.0	~	0.3	~	~	~	INTERNAL	
ANA5614EXG	460/60/3	20.8	135.0	~	0.8	~	~	~	INTERNAL	
ANA5614EXH	575/60/3	15.8	99.0	~	1.3	~	~	~	INTERNAL	
ANA5614EXT	200-230/60/3	42.0	269.0	~	0.2	~	~	~	INTERNAL	
ANB5590EXG	460/60/3	13.7	86.1	~	1.4	~	~	~	INTERNAL	
ANB5590EXT	200-230/60/3	27.0	172.0	~	0.3	~	~	~	INTERNAL	
ANB5610EXG	460/60/3	14.4	93.3	~	1.3	~	~	~	INTERNAL	

Model	Volts/Hz/Ph	RLA	LRA	Winding Resistance		Start Cap Part Number	Run Cap Part Number	Relay	Overload	Remarks
				Start	Run					
ANB5610EXT	200-230/60/3	29.0	183.0	~	0.3	~	~	~	INTERNAL	
ANB5612EXG	460/60/3	17.8	116.0	~	0.9	~	~	~	INTERNAL	
ANB5612EXH	575/60/3	14.5	91.0	~	1.6	~	~	~	INTERNAL	
ANB5612EXT	200-230/60/3	36.0	229.0	~	0.3	~	~	~	INTERNAL	
ANB5614EXG	460/60/3	20.8	135.0	~	0.8	~	~	~	INTERNAL	
ANB5614EXH	575/60/3	15.8	99.0	~	1.3	~	~	~	INTERNAL	
ANB5614EXT	200-230/60/3	42.0	269.0	~	0.2	~	~	~	INTERNAL	
ANC5590EXG	460/60/3	13.7	86.1	~	1.4	~	~	~	INTERNAL	
ANC5590EXT	200-230/60/3	27.0	172.0	~	0.3	~	~	~	INTERNAL	
ANC5610EXG	460/60/3	14.4	93.3	~	1.3	~	~	~	INTERNAL	
ANC5610EXT	200-230/60/3	29.0	183.0	~	0.3	~	~	~	INTERNAL	
ANC5612EXG	460/60/3	17.8	116.0	~	0.9	~	~	~	INTERNAL	
ANC5612EXH	575/60/3	14.5	91.0	~	1.6	~	~	~	INTERNAL	
ANC5612EXT	200-230/60/3	36.0	229.0	~	0.3	~	~	~	INTERNAL	
ANC5614EXG	460/60/3	20.8	135.0	~	0.8	~	~	~	INTERNAL	
ANC5614EXH	575/60/3	15.8	99.0	~	1.3	~	~	~	INTERNAL	
ANC5614EXT	200-230/60/3	42.0	269.0	~	0.2	~	~	~	INTERNAL	
AND5590EXG	460/60/3	13.7	86.1	~	1.4	~	~	~	INTERNAL	
AND5590EXT	200-230/60/3	27.0	172.0	~	0.3	~	~	~	INTERNAL	
AND5610EXG	460/60/3	14.4	93.3	~	1.3	~	~	~	INTERNAL	
AND5610EXT	200-230/60/3	29.0	183.0	~	0.3	~	~	~	INTERNAL	
AND5612EXG	460/60/3	17.8	116.0	~	0.9	~	~	~	INTERNAL	
AND5612EXH	575/60/3	14.5	91.0	~	1.6	~	~	~	INTERNAL	
AND5612EXT	200-230/60/3	36.0	229.0	~	0.3	~	~	~	INTERNAL	
AND5614EXG	460/60/3	20.8	135.0	~	0.8	~	~	~	INTERNAL	

Model	Volts/Hz/Ph	RLA	LRA	Winding Resistance		Start Cap Part Number	Run Cap Part Number	Relay	Overload	Remarks
				Start	Run					
AND5614EXH	575/60/3	15.8	99.0	~	1.3	~	~	~	INTERNAL	
AND5614EXT	200-230/60/3	42.0	269.0	~	0.2	~	~	~	INTERNAL	
AVA2490ZYG	460/60/3	3.6	38.3	~	3.4	~	~	~	INTERNAL	
AVA2490ZYN	208-230/60/1	11.4	106.6	1.8	0.5	K146-44	K150-19	K71-20	INTERNAL	
AVA2490ZXT	200-230/60/3	7.4	65.1	~	1.6	~	~	~	INTERNAL	
AVA2512ZYG	460/60/3	4.6	38.3	~	3.4	~	~	~	INTERNAL	
AVA2512ZYN	208-230/60/1	16.9	120.3	1.7	0.4	K146-45	K150-19	K71-20	INTERNAL	
AVA2512ZXT	200-230/60/3	9.3	65.1	~	1.6	~	~	~	INTERNAL	
AVA4542EXN	208-230/60/1	19.7	108.0	2.2	0.6	K146-43	K150-17	K71-20	INTERNAL	
AVA5532EXG	460/60/3	4.4	32.8	~	6.2	~	~	~	INTERNAL	
AVA5532EXN	208-230/60/1	14.5	78.0	2.8	0.8	K146-43	K150-14	K71-20	INTERNAL	
AVA5532EXT	200-230/60/3	8.9	59.5	~	1.6	~	~	~	INTERNAL	
AVA5532EYV	265/60/1	12.2	73.8	3.0	1.0	~	K150-15	K71-19	INTERNAL	
AVA5535EXG	460/60/3	4.8	32.8	~	6.2	~	~	~	INTERNAL	
AVA5535EXN	208-230/60/1	15.8	88.0	2.7	0.6	K146-43	K150-16	K71-20	INTERNAL	
AVA5535EXT	200-230/60/3	9.7	65.1	~	1.6	~	~	~	INTERNAL	
AVA5538EXG	460/60/3	5.3	37.7	~	5.2	~	~	~	INTERNAL	
AVA5538EXN	208-230/60/1	17.2	95.0	3.4	0.6	K146-02	K150-15	K71-20	INTERNAL	
AVA5538EXT	200-230/60/3	10.8	73.4	~	1.4	~	~	~	INTERNAL	
AVA5538EXV	265/60/1	14.6	86.3	3.2	0.8	~	~	~	INTERNAL	
AVA5538WVG	460/60/3	5.3	37.7	~	5.2	~	~	~	INTERNAL	
AVA5538WVN	208-230/60/1	17.2	95.0	3.4	0.6	~	K150-15	K71-20	INTERNAL	
AVA5538WXT	200-230/60/3	10.8	73.4	~	1.4	~	~	~	INTERNAL	
AVA5539CXT	200-230/60/3	11.3	74.0	~	~	~	~	~	INTERNAL	
AVA5542EXG	460/60/3	6.0	37.0	~	5.2	~	~	~	INTERNAL	



Model	Volts/Hz/Ph	RLA	LRA	Winding Resistance		Start Cap Part Number	Run Cap Part Number	Relay	Overload	Remarks
				Start	Run					
AVA5542EXN	208-230/60/1	19.7	108.0	2.2	0.6	K146-43	K150-17	K71-20	INTERNAL	
AVA5542EXT	200-230/60/3	12.0	74.0	~	1.3	~	~	~	INTERNAL	
AVA5542EXV	265/60/1	16.0	95.2	~	~	~	~	~	INTERNAL	
AVA5542WVG	460/60/3	6.0	37.0	~	5.2	~	~	~	INTERNAL	
AVA5542WXT	200-230/60/3	12.0	74.0	~	1.3	~	~	~	INTERNAL	
AVA5546EXG	460/60/3	6.6	46.0	~	4.4	~	~	~	INTERNAL	
AVA5546EXN	208-230/60/1	21.5	116.0	2.5	0.5	K146-43	K150-17	K71-20	INTERNAL	
AVA5546EXT	200-230/60/3	13.3	92.0	~	1.1	~	~	~	INTERNAL	
AVA5546EXV	265/60/1	18.2	102.0	2.1	0.7	~	~	~	INTERNAL	
AVA5555EXG	460/60/3	7.8	55.0	~	2.8	~	~	~	INTERNAL	
AVA5555EXT	200-230/60/3	15.7	110.0	~	0.7	~	~	~	INTERNAL	
AVA7524ZYG	460/60/3	5.1	38.3	~	3.4	~	~	~	INTERNAL	
AVA7524ZYN	208-230/60/1	16.7	106.6	1.8	0.5	K146-43	K150-19	K71-20	INTERNAL	
AVA7524ZXT	200-230/60/3	10.9	65.1	~	1.6	~	~	~	INTERNAL	
AVA7528ZYG	460/60/3	6.2	38.3	~	3.4	~	~	~	INTERNAL	
AVA7528ZYN	208-230/60/1	22.2	120.3	1.7	0.4	~	K150-19	~	INTERNAL	
AVA7528ZXT	200-230/60/3	12.2	75.0	~	0.9	~	~	~	INTERNAL	
AVA9519ZYG	460/60/3	4.6	37.7	~	5.2	~	~	~	INTERNAL	
AVA9519ZYN	208-230/60/1	14.5	95.0	3.4	0.6	K146-13	K150-15	K71-20	INTERNAL	
AVA9519ZXT	200-230/60/3	9.4	73.4	~	1.4	~	~	~	INTERNAL	
AVA9522ZYG	460/60/3	5.1	37.0	~	5.2	~	~	~	INTERNAL	
AVA9522ZYN	208-230/60/1	17.0	108.0	2.2	0.6	K146-44	K150-19	K71-20	INTERNAL	
AVA9522ZXT	200-230/60/3	10.3	74.0	~	1.3	~	~	~	INTERNAL	
AVA9528ZYG	460/60/3	6.6	55.0	~	2.8	~	~	~	INTERNAL	
AVA9528ZYN	208-230/60/1	20.0	132.0	1.3	0.3	K146-44	K150-23	K71-63	INTERNAL	

Model	Volts/Hz/Ph	RLA	LRA	Winding Resistance		Start Cap Part Number	Run Cap Part Number	Relay	Overload	Remarks
				Start	Run					
AVA9528ZXT	200-230/60/3	13.3	110.0	~	0.7	~	~	~	INTERNAL	
AVB5533EXG	460/60/3	4.6	32.8	~	6.2	~	~	~	INTERNAL	
AVB5533EXH	575/60/3	3.5	26.0	~	10.2	~	~	~	INTERNAL	
AVB5533EXN	208-230/60/1	13.5	78.8	1.4	0.7	K146-12	K150-18	K71-19	INTERNAL	
AVB5533EXT	200-230/60/3	8.9	65.1	~	1.6	~	~	~	INTERNAL	
AVB5535EXG	460/60/3	4.6	32.8	~	6.2	~	~	~	INTERNAL	
AVB5535EXH	575/60/3	4.0	31.0	~	8.2	~	~	~	INTERNAL	
AVB5535EXN	208-230/60/1	14.2	86.7	1.5	0.6	K146-13	K150-18	K71-19	INTERNAL	
AVB5535EXT	200-230/60/3	9.2	65.1	~	1.6	~	~	~	INTERNAL	
AVB5538EXG	460/60/3	5.2	37.7	~	5.2	~	~	~	INTERNAL	
AVB5538EXH	575/60/3	4.2	31.0	~	8.2	~	~	~	INTERNAL	
AVB5538EXN	208-230/60/1	15.4	97.6	1.7	0.6	~	K150-19	~	INTERNAL	
AVB5538EXT	200-230/60/3	10.3	73.4	~	1.3	~	~	~	INTERNAL	
AVB5542EXG	460/60/3	5.7	37.0	~	5.2	~	~	~	INTERNAL	
AVB5542EXH	575/60/3	4.6	31.0	~	8.2	~	~	~	INTERNAL	
AVB5542EXN	208-230/60/1	17.1	107.4	1.7	0.5	K146-43	K150-19	~	INTERNAL	
AVB5542EXT	200-230/60/3	11.3	73.4	~	1.3	~	~	~	INTERNAL	
AVB5549EXG	460/60/3	6.7	46.0	~	4.3	~	~	~	INTERNAL	
AVB5549EXH	575/60/3	5.4	44.0	~	4.1	~	~	~	INTERNAL	
AVB5549EXN	208-230/60/1	20.5	110.0	1.8	0.5	K146-43	K150-19	K71-20	INTERNAL	
AVB5549EXT	200-230/60/3	13.5	92.0	~	1.1	~	~	~	INTERNAL	
AVB5558EXG	460/60/3	7.8	55.0	~	3.3	~	~	~	INTERNAL	
AVB5558EXH	575/60/3	6.3	44.0	~	4.1	~	~	~	INTERNAL	
AVB5558EXN	208-230/60/1	24.8	141.0	1.7	0.4	K146-43	K150-19	K71-20	INTERNAL	
AVB5558EXT	200-230/60/3	15.7	110.0	~	0.8	~	~	~	INTERNAL	



Model	Volts/Hz/Ph	RLA	LRA	Winding Resistance		Start Cap Part Number	Run Cap Part Number	Relay	Overload	Remarks
				Start	Run					
AVC5532EXN	208-230/60/1	13.4	78.8	1.4	0.7	K146-12	K150-18	K71-19	INTERNAL	
AVC5535EXN	208-230/60/1	14.9	86.7	1.5	0.6	~	K150-18	K71-19	INTERNAL	
AVC5538EXN	208-230/60/1	16.5	97.6	1.7	0.6	K146-43	K150-19	~	INTERNAL	
AVC5542EXN	208-230/60/1	18.3	107.4	1.7	0.5	~	~	~	INTERNAL	
AVC5546EXN	208-230/60/1	20.4	110.0	1.8	0.5	K146-43	K150-19	K71-20	INTERNAL	
AVD5533EXN	208-230/60/1	13.2	76.0	1.3	0.6	K146-44	K150-18	K71-19	INTERNAL	
AVD5535EXG	460/60/3	4.4	37.5	~	3.4	~	~	~	INTERNAL	
AVD5535EXN	208-230/60/1	13.8	92.0	1.3	0.5	~	K150-18	~	INTERNAL	
AVD5535EXT	200-230/60/3	8.8	75.0	~	0.9	~	~	~	INTERNAL	
AVD5538EXN	208-230/60/1	15.1	92.0	1.3	0.5	K146-45	K150-18	K71-19	INTERNAL	
AVD5540EXG	460/60/3	5.0	42.0	~	3.1	~	~	~	INTERNAL	
AVD5540EXH	575/60/3	4.0	35.0	~	4.5	~	~	~	INTERNAL	
AVD5540EXN	208-230/60/1	16.2	92.0	1.3	0.5	~	K150-18	~	INTERNAL	
AVD5540EXT	200-230/60/3	10.0	84.0	~	0.8	~	~	~	INTERNAL	
AVD5542EXN	208-230/60/1	16.9	110.0	1.3	0.4	K146-45	50/440	K71-19	INTERNAL	
AVD5545EXG	460/60/3	5.8	46.0	~	2.9	~	~	~	INTERNAL	
AVD5545EXH	575/60/3	4.7	37.0	~	4.5	~	~	~	INTERNAL	
AVD5545EXN	208-230/60/1	18.2	110.0	1.3	0.4	~	K150-21	~	INTERNAL	
AVD5545EXT	200-230/60/3	11.5	90.0	~	0.7	~	~	~	INTERNAL	
AVD5548EXG	460/60/3	6.2	52.5	~	2.4	~	~	~	INTERNAL	
AVD5548EXH	575/60/3	5.0	44.0	~	4.5	~	~	~	INTERNAL	
AVD5548EXN	208-230/60/1	19.2	110.0	1.3	0.4	~	K150-21	~	INTERNAL	
AVD5548EXT	200-230/60/3	12.3	105.0	~	0.6	~	~	~	INTERNAL	
AVD5558EXG	460/60/3	8.0	63.0	~	1.9	~	~	~	INTERNAL	
AVD5558EXH	575/60/3	6.1	55.5	~	3.0	~	~	~	INTERNAL	

Model	Volts/Hz/Ph	RLA	LRA	Winding Resistance		Start Cap Part Number	Run Cap Part Number	Relay	Overload	Remarks
				Start	Run					
AVD5558EXN	208-230/60/1	24.0	123.0	1.2	0.4	~	K150-24	~	INTERNAL	
AVD5558EXT	200-230/60/3	15.9	128.0	~	0.5	~	~	~	INTERNAL	
AWA2440ZXD	208-230/60/1	5.1	73.0	2.1	0.9	K146-44	K150-14	K71-19	INTERNAL	
AWA2440ZYG	460/60/3	1.8	20.3	~	8.7	~	~	~	INTERNAL	
AWA2440ZXT	200-230/60/3	3.8	40.5	~	2.3	~	~	~	INTERNAL	
AWA2450ZXD	208-230/60/1	5.9	56.0	3.3	1.1	K146-43	85PR370F23	K71-16	INTERNAL	
AWA2450ZXT	200-230/60/3	4.2	40.5	~	2.3	~	~	~	INTERNAL	
AWA2460ZXD	208-230/60/1	8.2	86.0	2.2	0.7	K146-44	K150-18	K71-19	INTERNAL	
AWA2460ZYG	460/60/3	2.9	36.0	~	5.1	~	~	~	INTERNAL	
AWA2460ZXT	200-230/60/3	5.6	63.4	~	1.3	~	~	~	INTERNAL	
AWA2480ZYG	460/60/3	3.1	36.0	~	5.1	~	~	~	INTERNAL	
AWA2480ZXXN	208-230/60/1	8.4	73.1	2.4	0.8	K146-45	K150-17	K71-19	INTERNAL	
AWA2480ZXT	200-230/60/3	6.2	63.4	~	1.3	~	~	~	INTERNAL	
AWA5515EXD	208-230/60/1	7.2	43.0	4.7	1.5	K146-44	K150-06	K71-19	INTERNAL	
AWA5515EXV	265/60/1	6.1	39.5	~	~	K146-12	K150-11	K71-19	INTERNAL	
AWA5517EXD	208-230/60/1	7.6	43.0	~	~	K146-11	K150-07	K71-19	INTERNAL	
AWA5517EXV	265/60/1	6.6	45.0	~	~	K146-12	K150-11	K71-19	INTERNAL	
AWA5519EXD	208-230/60/1	8.4	52.0	~	~	K146-44	K150-07	K71-19	INTERNAL	
AWA5519EXV	265/60/1	4.3	45.0	~	~	K146-12	K150-11	K71-19	INTERNAL	
AWA5528CXN	208-230/60/1	11.4	69.4	1.6	0.8	~	K150-18	~	INTERNAL	
AWA5530EXD	208-230/60/1	~	~	~	~	K146-12	K150-18	K71-19	INTERNAL	
AWA7490ZXD	208-230/60/1	7.4	52.0	2.7	1.3	K146-43	K150-07	K71-16	INTERNAL	
AWA7512ZXD	208-230/60/1	9.6	73.0	2.1	0.9	K146-43	K150-14	K71-19	INTERNAL	
AWA7512ZXT	200-230/60/3	8.0	63.4	~	1.3	~	~	~	INTERNAL	
AWA7515ZXD	208-230/60/1	12.5	96.8	3.3	0.6	K146-41	K150-15	K71-20	INTERNAL	

Model	Volts/Hz/Ph	RLA	LRA	Winding Resistance		Start Cap Part Number	Run Cap Part Number	Relay	Overload	Remarks
				Start	Run					
AWA7515ZXT	200-230/60/3	7.7	63.4	~	1.3	~	~	~	INTERNAL	
AWA9480ZYN	208-230/60/1	6.5	52.0	2.7	1.3	85PS330D16	K150-07	K71-16	INTERNAL	
AWA9490ZYG	460/60/3	2.4	25.0	~	6.5	~	~	~	INTERNAL	
AWA9490ZYN	208-230/60/1	7.5	52.0	2.7	1.3	K146-44	K150-14	K71-62	INTERNAL	
AWA9490ZXT	200-230/60/3	4.7	51.0	~	1.6	~	~	~	INTERNAL	
AWA9512ZYG	460/60/3	2.8	20.3	~	8.7	~	~	~	INTERNAL	
AWA9512ZYN	208-230/60/1	8.9	60.0	2.5	1.1	K146-43	K150-14	K71-19	INTERNAL	
AWA9512ZXT	200-230/60/3	5.5	50.0	~	1.6	~	~	~	INTERNAL	
AWA9513ZXD	208-230/60/1	10.6	73.0	2.1	0.9	~	K150-14	K71-19	INTERNAL	
AWA9514ZYG	460/60/3	3.6	36.0	~	~	~	~	~	INTERNAL	
AWA9514ZYN	208-230/60/1	12.0	90.0	2.1	0.7	K146-44	K150-18	K71-19	INTERNAL	
AWA9514ZXT	200-230/60/3	7.3	63.4	~	1.3	~	~	~	INTERNAL	
AWA9518ZYN	208-230/60/1	13.1	84.0	1.6	0.6	~	K150-18	K71-19	INTERNAL	
AWB5517EXD	208-230/60/1	7.2	49.0	~	~	K146-11	K150-07	K71-19	INTERNAL	
AWB5517EXV	265/60/1	6.4	46.5	~	~	K146-12	K150-11	K71-21	INTERNAL	
AWB5519EXD	208-230/60/1	8.1	49.0	~	~	K146-11	K150-07	K71-19	INTERNAL	
AWB5519EXV	265/60/1	7.1	46.5	~	~	K146-12	K150-11	K71-21	INTERNAL	
AWC5515EXD	208-230/60/1	6.4	49.0	~	~	K146-44	K150-14	K71-21	INTERNAL	
AWC5515EXV	265/60/1	5.6	41.0	~	~	K146-39	K150-11	K71-19	INTERNAL	
AWC5517EXD	208-230/60/1	6.8	49.0	~	~	K146-44	K150-14	K71-21	INTERNAL	
AWC5517EXV	265/60/1	6.0	41.0	~	~	K146-39	K150-11	K71-19	INTERNAL	
AWC5519EXD	208-230/60/1	8.0	49.0	~	~	K146-44	K150-14	K71-21	INTERNAL	
AWC5519EXV	265/60/1	7.1	47.0	~	~	K146-39	K150-15	K71-19	INTERNAL	
AWC5522EXD	208-230/60/1	~	~	~	~	K146-12	K150-14	K71-19	INTERNAL	
AWC5524EXD	208-230/60/1	9.8	60.7	2.4	1.0	K146-44	K150-14	K71-21	INTERNAL	

Model	Volts/Hz/Ph	RLA	LRA	Winding Resistance		Start Cap Part Number	Run Cap Part Number	Relay	Overload	Remarks
				Start	Run					
AWD5516EXD	208-230/60/1	6.5	48.3	~	~	K146-12	K150-14	K71-19	INTERNAL	
AWD5517EXD	208-230/60/1	7.1	48.3	~	~	K146-12	K150-14	K71-19	INTERNAL	
AWF5516EVA	265/60/1	5.8	41.0	2.8	1.8	~	K150-11	~	INTERNAL	
AWF5516EXN	208-230/60/1	6.6	48.3	2.5	1.2	K146-13	K150-14	K71-19	INTERNAL	
AWF5517EXN	208-230/60/1	6.7	48.3	2.5	1.2	K146-13	K150-14	K71-19	INTERNAL	
AWF5518EVA	265/60/1	6.7	47.0	3.0	1.5	K146-13	K150-15	~	INTERNAL	
AWF5518EXN	208-230/60/1	7.1	48.3	2.5	1.2	K146-12	K150-14	K71-19	INTERNAL	
AWF5519EVA	265/60/1	7.0	47.0	3.0	1.5	~	K150-15	K71-19	INTERNAL	
AWF5519EXN	208-230/60/1	7.7	48.3	2.5	1.2	K146-13	K150-14	K71-19	INTERNAL	
AWF5520EXN	208-230/60/1	8.3	48.3	2.5	1.2	K146-12	K150-14	K71-19	INTERNAL	
AWF5522EVA	265/60/1	7.8	58.0	2.9	1.2	K146-13	K150-15	~	INTERNAL	
AWF5522EXG	460/60/3	2.9	25.0	~	6.5	~	~	~	INTERNAL	
AWF5522EXN	208-230/60/1	9.0	60.0	2.5	1.0	K146-44	K150-14	K71-21	INTERNAL	
AWF5522EXT	200-230/60/3	5.6	50.0	~	1.6	~	~	~	INTERNAL	
AWF5524EVA	265/60/1	8.9	58.0	2.9	1.2	~	K150-15	~	INTERNAL	
AWF5524EXG	460/60/3	3.3	25.0	~	6.5	~	~	~	INTERNAL	
AWF5524EXN	208-230/60/1	10.0	60.0	2.4	1.0	K146-44	K150-14	~	INTERNAL	
AWF5524EXT	200-230/60/3	6.5	50.0	~	1.6	~	~	~	INTERNAL	
AWF5526EXN	208-230/60/1	10.9	69.4	1.6	0.8	K146-44	K150-18	K71-19	INTERNAL	
AWF5528EVA	265/60/1	10.5	65.0	3.2	1.0	K146-13	K150-15	K71-21	INTERNAL	
AWF5528EXG	460/60/3	3.8	36.0	~	5.1	~	~	~	INTERNAL	
AWF5528EXN	208-230/60/1	11.4	69.4	1.6	0.8	K146-44	K150-18	K71-19	INTERNAL	
AWF5528EXT	200-230/60/3	7.6	63.4	~	1.3	~	~	~	INTERNAL	
AWF5530EVA	265/60/1	12.0	83.0	2.5	0.8	K146-12	K150-19	820ARR3G70	INTERNAL	
AWF5530EXG	460/60/3	4.1	36.0	~	5.1	~	~	~	INTERNAL	

Model	Volts/Hz/Ph	RLA	LRA	Winding Resistance		Start Cap Part Number	Run Cap Part Number	Relay	Overload	Remarks
				Start	Run					
AWF5530EXN	208-230/60/1	12.5	84.0	1.6	0.7	K146-44	K150-18	K71-19	INTERNAL	
AWF5530EXT	200-230/60/3	8.2	63.4	~	1.3	~	~	~	INTERNAL	
AWF5532EVA	265/60/1	12.0	83.0	2.5	0.8	K146-12	K150-19	820ARR3G70	INTERNAL	
AWF5532EXG	460/60/3	4.3	36.0	~	5.1	~	~	~	INTERNAL	
AWF5532EXT	208-230/60/1	13.4	84.0	1.6	0.7	K146-44	K150-18	K71-19	INTERNAL	
AWF5532EXN	200-230/60/3	8.6	63.4	~	1.3	~	~	~	INTERNAL	
AWF5533EVA	265/60/1	13.2	83.0	2.5	0.8	K146-12	K150-19	820ARR3G70	INTERNAL	
AWF5533EXN	208-230/60/1	13.8	84.0	1.6	0.7	K146-44	K150-18	K71-19	INTERNAL	
AWG4515EXG	460/60/3	2.4	25.0	~	~	~	~	~	INTERNAL	
AWG4520EXG	460/60/3	2.9	25.0	~	6.5	~	~	~	INTERNAL	
AWG4520EXN	208-230/60/1	9.3	52.0	2.7	1.3	K146-44	K150-07	K71-16	INTERNAL	
AWG4524EXG	460/60/3	3.4	25.0	~	6.5	~	~	~	INTERNAL	
AWG4524EXN	208-230/60/1	11.0	60.0	2.5	1.1	K146-13	K150-14	K71-19	INTERNAL	
AWG4530EXG	460/60/3	4.2	36.0	~	~	~	~	~	INTERNAL	
AWG4530EXN	208-230/60/1	14.4	90.0	2.1	0.7	K146-44	K150-18	K71-19	INTERNAL	
AWG5514CXN	208-230/60/1	6.7	43.0	4.7	1.5	~	~	~	INTERNAL	
AWG5515EVA	265/60/1	6.2	39.0	6.5	1.8	~	K150-10	K71-19	INTERNAL	
AWG5515EXN	208-230/60/1	6.9	43.0	4.7	1.5	K146-44	K150-06	K71-64	INTERNAL	
AWG5515EXT	200-230/60/3	4.7	51.0	~	1.6	~	~	~	INTERNAL	
AWG5517EVA	265/60/1	6.8	45.0	5.3	1.7	K146-13	K150-11	~	INTERNAL	
AWG5517EXN	208-230/60/1	7.6	43.0	4.0	1.6	~	K150-07	K71-19	INTERNAL	
AWG5518CXN	208-230/60/1	8.7	52.0	~	~	K146-44	K150-07	K71-62	INTERNAL	
AWG5519EVA	265/60/1	7.5	45.0	5.3	1.7	~	K150-11	~	INTERNAL	
AWG5519EXN	208-230/60/1	8.6	52.0	2.7	1.3	K146-44	K150-07	K71-16	INTERNAL	
AWG5520EVA	265/60/1	8.0	51.0	4.7	1.4	~	K150-11	~	INTERNAL	

Model	Volts/Hz/Ph	RLA	LRA	Winding Resistance		Start Cap Part Number	Run Cap Part Number	Relay	Overload	Remarks
				Start	Run					
AWG5520EXG	460/60/3	2.9	25.0	~	6.5	~	~	~	INTERNAL	
AWG5520EXN	208-230/60/1	93	52.0	2.7	1.3	K146-44	K150-07	K71-16	INTERNAL	
AWG5520EXT	200-230/60/3	5.8	51.0	~	1.6	~	~	~	INTERNAL	
AWG5520WVG	460/60/3	2.9	25.0	~	6.5	~	~	~	INTERNAL	
AWG5520WXN	208-230/60/1	93	52.0	2.7	1.3	~	K150-07	~	INTERNAL	
AWG5520WXT	200-230/60/3	5.8	51.0	~	1.6	~	~	~	INTERNAL	
AWG5521CXT	200-230/60/3	~	50.0	~	1.6	~	~	~	INTERNAL	
AWG5522EVA	265/60/1	8.6	51.0	4.7	1.4	~	K150-11	~	INTERNAL	
AWG5522EXN	208-230/60/1	10.1	60.0	2.9	1.1	85PS330C23	K150-07	K71-19	INTERNAL	
AWG5524EVA	265/60/1	9.5	54.0	3.0	1.4	K146-13	K150-15	~	INTERNAL	
AWG5524EXG	460/60/3	3.4	25.0	~	6.5	~	~	~	INTERNAL	
AWG5524EXN	208-230/60/1	11.0	60.0	2.5	1.1	K146-13	K150-14	K71-19	INTERNAL	
AWG5524EXT	200-230/60/3	6.7	50.0	~	1.6	~	~	~	INTERNAL	
AWG5524WVG	460/60/3	3.4	25.0	~	6.5	~	~	~	INTERNAL	
AWG5524WXN	208-230/60/1	11.0	60.0	2.5	1.1	~	K150-14	~	INTERNAL	
AWG5524WXT	200-230/60/3	6.7	50.0	~	1.6	~	~	~	INTERNAL	
AWG5526CXN	208-230/60/1	12.5	70.0	2.5	0.8	K146-43	K150-18	K71-33	INTERNAL	
AWG5528EVA	265/60/1	10.9	65.0	2.6	1.2	~	K150-15	K71-21	INTERNAL	
AWG5528EXN	208-230/60/1	13.0	73.0	2.1	0.9	K146-13	K150-14	K71-19	INTERNAL	
AWG5530CXN	208-230/60/1	12.5	70.0	2.5	0.8	K146-59	K150-18	~	INTERNAL	
AWG5530EVA	265/60/1	11.7	83.0	2.5	0.8	~	K150-19	~	INTERNAL	
AWG5530EXN	208-230/60/1	14.4	90.0	2.1	0.7	K146-44	K150-18	K71-19	INTERNAL	
AWG5530EXT	200-230/60/3	8.4	63.4	~	1.3	~	~	~	INTERNAL	
AWG5530WXN	208-230/60/1	14.4	70.0	~	~	~	K150-18	~	INTERNAL	
AWG5530WXT	200-230/60/3	8.4	63.4	~	1.3	~	~	~	INTERNAL	

Model	Volts/Hz/Ph	RLA	LRA	Winding Resistance		Start Cap Part Number	Run Cap Part Number	Relay	Overload	Remarks
				Start	Run					
AWG5532EVA	265/60/1	12.5	83.0	2.5	0.8	~	K150-19	~	INTERNAL	
AWG5532EXN	208-230/60/1	15.1	90.0	2.1	0.7	K146-44	K150-18	K71-19	INTERNAL	
AWG5532EXT	200-230/60/3	9.0	63.4	~	1.3	~	~	~	INTERNAL	
AWH5513EXN	208-230/60/1	6.1	43.0	4.7	1.5	K146-44	K150-06	82765	INTERNAL	
AWH5516EXN	208-230/60/1	7.0	43.0	4.7	1.5	~	K150-06	K71-19	INTERNAL	
AWH5522EXN	208-230/60/1	10.0	60.0	2.9	1.1	~	~	K71-19	INTERNAL	
AWJ5515EVA	265/60/1	6.2	39.0	6.5	1.8	K146-11	K150-06	K71-19	INTERNAL	
AWJ5515EXN	208-230/60/1	6.9	43.0	4.7	1.5	K146-44	K150-06	82765	INTERNAL	
AWJ5517EXN	208-230/60/1	7.6	43.0	4.0	1.6	K146-11	K150-07	K71-19	INTERNAL	
AWJ5520EXN	208-230/60/1	9.7	52.0	2.7	1.3	~	K150-07	K71-16	INTERNAL	
AWJ5522EVA	265/60/1	8.8	51.0	4.7	1.4	K146-12	K150-11	K71-20	INTERNAL	
AWJ5524EVA	265/60/1	9.5	54.0	3.0	1.4	K146-12	K150-15	820ARR3G70	INTERNAL	
AWJ5524EXN	208-230/60/1	11.0	60.0	2.5	1.1	~	K150-14	K71-19	INTERNAL	
AWJ5528EVA	265/60/1	10.9	65.0	2.6	1.2	K146-12	K150-15	K71-21	INTERNAL	
AWJ5528EXN	208-230/60/1	13.0	73.0	2.1	0.9	~	K150-14	K71-19	INTERNAL	
AWJ5532EVA	265/60/1	12.8	83.0	2.5	0.8	~	K150-19	~	INTERNAL	
AWJ5532EXN	208-230/60/1	15.6	90.0	2.1	0.7	~	K150-18	K71-19	INTERNAL	
AWZ5516EXN	208-230/60/1	7.0	43.0	4.1	1.3	~	~	~	INTERNAL	
AWZ5520EXN	208-230/60/1	9.7	52.0	2.8	1.0	~	~	~	INTERNAL	
AWZ5522EXN	208-230/60/1	10.0	60.0	2.8	0.9	~	~	~	INTERNAL	
AWZ5524EXN	208-230/60/1	11.0	60.0	2.8	0.9	~	~	~	INTERNAL	
AWZ5528EXN	208-230/60/1	13.0	73.0	2.4	0.7	~	~	~	INTERNAL	
AWZ5530EXN	208-230/60/1	13.2	85.0	2.2	0.6	~	~	~	INTERNAL	
AWZ5532EXN	208-230/60/1	14.5	90.0	2.2	0.6	~	~	~	INTERNAL	
AWZ5535EXN	208-230/60/1	15.4	96.0	2.3	0.6	~	~	~	INTERNAL	

Model	Volts/Hz/Ph	RLA	LRA	Winding Resistance		Start Cap Part Number	Run Cap Part Number	Relay	Overload	Remarks
				Start	Run					
AWZ5538EXN	208-230/60/1	18.3	110.0	2.3	0.5	~	~	~	INTERNAL	
AWZ5542EXN	208-230/60/1	18.5	100.0	~	28.0	K146-44	K150-19	K71-21	INTERNAL	
AZA0335YXA	115/60/1	1.2	10.2	15.4	8.1	~	~	8209660H15	8300MRPH38	
AZA0345AXA	115/60/1	1.1	10.2	15.3	8.0	~	~	~	~	Tested without Condenser Fan
AZA0349YXA	115/60/1	1.6	13.6	14.5	4.5	~	~	820RR12C20	8300MRPH91	Tested without Condenser Fan
AZA0360AXA	115/60/1	1.6	13.6	14.5	4.4	~	~	~	~	Tested without Condenser Fan
AZA0370YXA	115/60/1	2.2	18.5	~	~	302P130-156J110	~	K71-07	K90-04	
AZA0374AXA	115/60/1	1.9	16.3	13.6	3.7	~	~	~	~	Tested without Condenser Fan
AZA0387AXA	115/60/1	2.1	18.5	12.8	3.1	~	~	~	~	Tested without Condenser Fan
AZA0395YXA	115/60/1	2.9	28.0	9.8	2.3	K146-25	~	K71-08	K90-06	
AZA0395YXP	220/60/1	1.6	13.2	34.3	8.7	~	~	820-10080	T8826-24-ZP	
AZA0411AXA	115/60/1	2.9	25.3	9.7	2.3	~	~	~	~	Tested without Condenser Fan
AZA0413YES	220/60/1	2.0	16.5	34.6	6.5	~	~	RP4815-ZR	~	
AZA0413YES	220/60/1	2.0	16.5	34.6	6.5	~	~	RP4815-ZR	T0926-23-ZP	
AZA1316YXA	115/60/1	0.8	8.4	23.2	10.2	~	~	82402	8300MRPG04	Tested without Condenser Fan
AZA1326YXA	115/60/1	1.0	10.9	15.7	8.0	~	~	82461	8300MRPG04	Tested without Condenser Fan
AZA1332YXA	115/60/1	1.2	13.2	14.0	5.1	~	~	RP13502-ZR	MRP61AMK-5587	
AZA1338YXA	115/60/1	1.5	15.9	12.3	3.8	~	~	82451	8300MRPG06	Tested without Condenser Fan
AZA1350YXA	115/60/1	1.9	18.8	9.6	2.7	~	~	K71-08	K90-06	Tested without Condenser Fan
AZB1320AXA	115/60/1	0.8	8.4	25.3	9.9	~	~	~	~	Tested without Condenser Fan
AZB1328AXA	115/60/1	1.0	10.9	15.4	8.0	~	~	~	~	Tested without Condenser Fan
AZB1335AXA	115/60/1	1.2	13.2	14.1	5.2	~	~	~	~	Tested without Condenser Fan
AZB1340AXA	115/60/1	1.5	15.9	14.8	3.8	~	~	~	~	Tested without Condenser Fan
AZB1355AXA	115/60/1	1.9	18.8	9.6	2.7	~	~	~	~	Tested without Condenser Fan



Model	Volts/Hz/Ph	RLA	LRA	Winding Resistance		Start Cap Part Number	Run Cap Part Number	Relay	Overload	Remarks
				Start	Run					
CAE2420Z	115/60/1	6.7	37.5	3.1	0.8	K146-14	~	K71-01	K90-21	Tecumseh Europe compressor, available service kits shown
CAE4456Y	115/60/1	9.0	43.5	3.8	0.8	K146-14	~	K71-06	K90-23	Tecumseh Europe compressor, available service kits shown
CAJ2428Z	115/60/1	7.6	51.0	4.3	0.6	K146-16	~	K71-18	K90-34	Tecumseh Europe compressor, available service kits shown
CAJ2432Z	115/60/1	6.9	58.0	3.7	0.6	K146-14	K150-13	K71-14	K90-35	Tecumseh Europe compressor, available service kits shown
CAJ2464Z	208-220/60/1	6.5	55.0	4.1	1.0	K146-42	K150-10	K71-17	K90-35	Tecumseh Europe compressor, available service kits shown
CAJ4511Y	208-220/60/1	7.3	47.0	6.9	1.2	K146-12	K150-04	K71-20	K90-21	Tecumseh Europe compressor, available service kits shown
CAJ9480Z	115/60/1	10.8	52.0	3.6	0.6	K146-16	K150-13	K71-19	K90-39	Tecumseh Europe compressor, available service kits shown
CAJ9510Z	115/60/1	13.9	64.0	2.5	0.5	K146-16	K150-13	K71-19	K90-40	Tecumseh Europe compressor, available service kits shown
CAJ9519Z	208-220/60/1	12.3	60.0	4.1	0.8	K146-12	K150-15	K71-21	K90-39	Tecumseh Europe compressor, available service kits shown
CL5538E	208-230/60/1	20.0	92.5	~	~	135-155/330	K150-15	K71-20	8308347A15	
CL5540E	230/60/1	22.0	92.5	~	~	135-155/330	K150-15	K71-20	8308347A15	
CL5544E	208-230/60/1	23.0	115.0	~	~	135-155/330	K150-17	K71-20	8308347A15	
CL5544F	208-230/60/1	23.0	115.0	~	~	K146-39	K150-17	K71-20	8308347A15	
CL5550E	208-230/60/1	27.0	140.0	~	~	135-155/330	K150-19	K71-20	83749	
CL5550G	208-230/60/1	27.0	140.0	~	~	K146-39	K150-19	K71-20	83749	
CL5562E	208-230/60/1	34.0	147.0	~	~	135-155/330	K150-22	K71-20	83749	
CL5562G	208-230/60/1	36.0	175.0	~	~	K146-39	K150-22	K71-20	83749	
HGA0440EXA	115/60/1	4.8	36.2	3.6	1.1	K146-12	K150-08	K71-19	8300MRAN19	

Model	Volts/Hz/Ph	RLA	LRA	Winding Resistance		Start Cap Part Number	Run Cap Part Number	Relay	Overload	Remarks
				Start	Run					
HGA0450EXA	115/60/1	6.2	45.6	3.8	0.7	K146-12	K150-08	K71-19	8300MRAN94	
HGA0470EXA	115/60/1	10.2	58.4	4.0	0.6	K146-12	K150-14	K71-19	K90-27	
HGA0470EXD	208-230/60/1	4.1	27.9	5.9	2.3	~	~	K71-16	~	
HGA2425ZA	115/60/1	6.0	46.5	~	~	K146-54	K150-08	~	14945125	
HGA2425XD	208-230/60/1	2.9	23.0	5.9	2.9	K146-12	K150-06	820ARR3K63	8300MRAU04	
HGA2434ZA	115/60/1	8.4	58.7	~	~	K146-54	K150-08	~	MRT16ADZ-118	
HGA5453BAA	115/60/1	5.0	36.2	3.6	1.0	~	~	~	MRA5731-114	
HGA5453BXD	208-230/60/1	2.5	17.7	6.6	4.2	~	~	~	MSP00AMZ-113	
HGA5453BXV	265/60/1	2.1	13.5	6.8	5.3	~	~	~	MSP18APZ-114	
HGA5457BAA	115/60/1	~	36.2	~	~	~	~	~	~	
HGA5460BAA	115/60/1	5.7	36.2	3.6	1.0	~	~	~	MRA5731-114	
HGA5460BXD	208-230/60/1	3.1	17.7	6.6	4.1	~	~	~	MSP00AMZ-113	
HGA5467EXA	115/60/1	5.6	36.2	3.6	1.0	K146-13	K150-08	K71-19	MRA5731-114	
HGA5467EXD	208-230/60/1	2.8	17.7	6.6	4.1	K146-13	K150-03	K71-16	MRA5742-114	
HGA5467EXV	265/60/1	2.4	15.0	~	~	~	K150-03	~	MRA5754-114	
HGA5471BAA	115/60/1	7.0	45.6	3.5	0.7	~	~	~	MRA5805-113	
HGA5471BXD	208-230/60/1	3.4	22.2	7.4	3.0	~	~	~	MST22ALZ-114	
HGA5471BXV	265/60/1	2.9	18.8	10.7	4.3	~	~	~	MSP18APZ-114	
HGA5479BAA	115/60/1	7.7	45.6	3.5	0.7	K146-13	K150-08	~	MRA5805-113	
HGA5479BXD	208-230/60/1	3.6	22.2	7.4	3.0	K146-13	K150-04	~	8300MRA171	
HGA5479BXV	265/60/1	3.4	17.5	10.7	4.3	~	~	~	MSP18APZ-114	
HGA5480EXA	115/60/1	7.0	45.6	3.5	0.7	~	545107	K71-19	K90-24	
HGA5480EXD	208-230/60/1	3.5	22.2	7.4	3.0	K146-13	K150-03	K71-16	MRA3711-114	
HGA5480EXV	265/60/1	2.9	18.8	10.7	4.3	~	~	~	MRA5753-114	
HGA5480YXD	208-230/60/1	3.6	27.9	5.9	2.3	~	K150-06	~	8300MSTT78	



Model	Volts/Hz/Ph	RLA	LRA	Winding Resistance		Start Cap Part Number	Run Cap Part Number	Relay	Overload	Remarks
				Start	Run					
HGA5485BAA	115/60/1	8.0	45.6	3.5	0.7	K146-13	K150-08	~	MRA8940-113	
HGA5485BXD	208-230/60/1	4.0	22.2	7.4	3.0	K146-13	K150-04	~	MRA5806-113	
HGA5492EYA	115/60/1	7.6	45.6	3.5	0.7	K146-13	K150-08	K71-19	MRA7943-113	
HGA5492EXD	208-230/60/1	3.7	22.2	7.4	3.0	~	~	K71-16	MRA3711-114	
HGA5492EXV	265/60/1	3.3	18.8	10.7	4.3	~	~	~	MRA5753-114	
HGA5494BAA	115/60/1	9.6	58.4	4.0	0.6	K146-13	K150-14	~	MST00A0Z-113	
HGA5494BXD	208-230/60/1	4.6	27.9	5.9	2.3	~	~	~	MST00AJK-113	
HGA5494BXV	265/60/1	3.8	22.2	8.7	3.5	~	K150-04	~	MST00AJK-113	
HGA5510BAA	115/60/1	11.8	63.0	~	~	~	~	~	14957962	
HGA5510BXD	208-230/60/1	5.6	32.5	5.7	2.2	K146-13	K150-10	~	MRA4734-113	
HGA5510BXV	265/60/1	4.2	31.5	~	~	~	~	~	T8900-78-ZP	
HGA5510EYA	115/60/1	9.0	58.4	3.7	0.7	K146-12	K150-14	K71-19	8300MRAP11	
HGA5510EXD	208-230/60/1	4.4	27.9	5.9	2.3	~	K150-06	~	MRA5751-113	
HGA5512BAA	115/60/1	12.7	63.0	~	~	~	~	~	14957914	
HGA5512BXD	208-230/60/1	5.6	29.0	5.5	2.3	~	~	~	MST00AHZ-113	
HGA5512BXV	265/60/1	4.6	20.0	7.4	3.6	~	K150-04	~	MRA5809-113	
HGA5512EYA	115/60/1	10.4	58.4	4.0	0.6	540244	545107	K71-19	570540	
HGA5512EXD	208-230/60/1	5.0	27.9	5.9	2.3	K146-13	K150-06	K71-16	MRA5751-113	
HGA5512EXV	265/60/1	~	22.2	8.7	3.5	~	K150-04	~	MRA3736-113	
HGA5513BAA	115/60/1	13.9	63.0	~	~	~	~	~	CRA4794-133	
HGA9430YXA	115/60/1	4.6	45.6	3.5	0.7	K146-42	K150-14	K71-19	MRA5785-114	
HGA9430YXD	208-230/60/1	2.1	22.2	7.4	3.0	64-77/330	K150-04	820ARR3K63	8300MSPU05	
HGA9443YXA	115/60/1	6.5	58.4	4.0	0.6	K146-42	K150-14	K71-19	8300MRAS17	
HGA9443YXD	208-230/60/1	3.1	27.9	5.9	2.3	K146-12	K150-06	820ARR3K63	8300MSTT87	
HGA9450ZXD	208-230/60/1	4.1	32.5	4.8	2.6	K146-42	K150-06	820ARR3J44	8300MSTT84	

Model	Volts/Hz/Ph	RLA	LRA	Winding Resistance		Start Cap Part Number	Run Cap Part Number	Relay	Overload	Remarks
				Start	Run					
HGA9468ZXA	115/60/1	11.7	64.0	2.9	0.6	K146-54	K150-08	~	K90-28	
HGA9468ZXD	208-230/60/1	5.2	34.0	5.9	2.2	K146-13	K150-10	K71-17	MRA5798-113	
HGAB514BAA	115/60/1	11.6	63.0	~	~	~	~	~	14957914	
HGAB514EXA	115/60/1	9.0	58.4	4.0	0.6	~	~	~	MRA5752-113	
HGAB515BAA	115/60/1	12.0	63.0	~	~	~	~	~	CRA4794-133	
HGB5510BAA	115/60/1	9.3	45.5	2.0	0.7	~	~	~	~	
HGB9443YAA	115/60/1	7.2	58.4	4.0	0.6	K146-42	K150-14	K71-19	MRA5785-114	
HGB8514BAA	115/60/1	9.8	54.2	2.0	0.6	~	~	~	~	
HGB8515BAA	115/60/1	10.0	59.3	2.1	0.5	~	~	~	~	
HKG8515EXA	115/60/1	10.6	54.0	4.1	0.6	~	~	~	~	
RGAA450YXA	115/60/1	7.1	47.0	~	~	541170	~	700357	571343	
RGAA5450EXA	115/60/1	4.4	30.1	3.6	1.2	K146-13	K150-08	K71-19	K90-18	
RGAA5453BAA	115/60/1	5.0	36.2	3.6	1.0	K146-13	K150-08	~	MRA5731-114	
RGAA5453BXD	208-230/60/1	2.5	17.7	6.6	4.2	~	K150-03	~	MSP00AMZ-113	
RGAA5453BXV	265/60/1	2.1	13.5	6.8	5.3	~	~	~	MSP18APZ-114	
RGAA5457BAA	115/60/1	5.5	36.2	3.6	1.0	~	K150-08	~	8300MRAN19	
RGAA5460BAA	115/60/1	5.7	~	3.6	1.0	~	K150-08	~	MRA5731-114	
RGAA5460BXD	208-230/60/1	2.8	17.7	6.6	4.1	~	K150-03	~	8300MSP159	
RGAA5460BXN	208-230/60/1	3.1	17.7	6.6	4.1	K146-13	K150-03	~	MSP00AMZ-113	
RGAA5460EXA	115/60/1	5.0	30.1	3.6	1.2	K146-13	K150-08	K71-19	K90-18	
RGAA5467CXA	115/60/1	5.7	36.2	3.6	1.0	~	K150-08	~	MRA5731-114	
RGAA5467CXD	208-230/60/1	2.7	17.7	6.6	4.1	~	K150-03	~	MRA5742-114	
RGAA5467EXA	115/60/1	5.6	36.2	~	~	K146-13	K150-08	K71-19	MRA5731-114	
RGAA5467EXD	208-230/60/1	2.8	17.7	~	~	K146-13	K150-03	K71-16	MRA5742-114	
RGAA5467EXV	265/60/1	2.5	15.0	~	~	K146-13	K150-03	K71-19	MRA5754-114	



Model	Volts/Hz/Ph	RLA	LRA	Winding Resistance		Start Cap Part Number	Run Cap Part Number	Relay	Overload	Remarks
				Start	Run					
RG45471BAA	115/60/1	7.0	45.6	3.5	0.7	~	K150-08	~	MRA5805-113	
RG45471BXD	208-230/60/1	3.4	22.2	7.4	3.0	~	K150-03	~	MST22ALZ-114	
RG45471BXV	265/60/1	2.9	19.0	10.7	4.3	~	~	~	MSP18APZ-114	
RG45472EXA	115/60/1	6.1	36.2	3.6	1.0	K146-13	K150-08	K71-19	MRA5731-114	
RG45472EXD	208-230/60/1	3.0	17.7	6.6	4.1	~	~	K71-16	MRA5742-114	
RG45472EXV	265/60/1	2.7	15.0	~	~	~	~	K71-19	MRA5754-114	
RG45479BAA	115/60/1	7.6	45.5	3.5	0.7	~	K150-08	~	MRA5805-113	
RG45479BXD	208-230/60/1	3.6	~	7.4	3.0	~	K150-03	~	8300MRAT71	
RG45479BXV	265/60/1	3.4	17.5	10.7	4.3	~	~	~	MSP18APZ-114	
RG45480CAA	115/60/1	7.0	45.6	3.5	0.7	~	~	~	MRA5723-114	
RG45480CXA	115/60/1	7.0	45.6	~	~	~	545107	~	K90-24	
RG45480EXA	115/60/1	7.0	45.6	3.5	0.7	K146-13	K150-08	K71-19	K90-24	
RG45480EXD	208-230/60/1	3.5	22.2	7.4	3.0	~	15MFD400V-R	K71-16	MRA3711-5602	
RG45485BAA	115/60/1	8.0	45.6	3.5	0.7	~	K150-08	~	MRA8940-113	
RG45485BXD	208-230/60/1	4.0	22.2	7.4	3.0	~	K150-04	~	MRA5806-113	
RG45485BXV	265/60/1	3.3	18.8	10.7	4.3	~	~	~	T14732-77-ZP	
RG45485EXA	115/60/1	7.2	45.6	3.5	0.7	K146-13	K150-08	K71-19	MRA5743-114	
RG45485EXD	208-230/60/1	3.4	22.2	7.4	3.0	K146-13	K150-03	K71-16	MRA3711-114	
RG45485EXV	265/60/1	3.1	18.8	10.7	4.3	~	~	~	MRA5753-114	
RG45492EXA	115/60/1	7.6	45.6	~	~	~	K150-08	~	~	
RG45492EXD	208-230/60/1	3.8	22.2	7.0	2.9	K146-13	K150-03	K71-16	MRA3711-114	
RG45492EXV	265/60/1	3.3	18.8	10.6	4.3	~	10/440	~	8300MRAP16	
RG45494BAA	115/60/1	9.6	58.4	4.0	0.6	~	K150-14	~	MST00A0Z-113	
RG45494BXD	208-230/60/1	4.6	27.9	5.9	2.3	~	K150-06	~	MST00AJK-113	
RG45494BXV	265/60/1	3.8	22.0	8.7	3.5	~	K150-04	~	MST00AJK-113	

Model	Volts/Hz/Ph	RLA	LRA	Winding Resistance		Start Cap Part Number	Run Cap Part Number	Relay	Overload	Remarks
				Start	Run					
RG45510BAA	115/60/1	11.8	63.0	~	~	~	K150-14	~	K90-27	
RG45510BXD	208-230/60/1	5.6	32.5	5.7	2.2	~	K150-10	~	MRA4734-113	
RG45510BXV	265/60/1	4.2	31.5	~	~	~	~	~	T8900-78-ZP	
RG45510ENA	208-230/60/1	4.4	27.9	5.9	3.3	K146-12	K150-06	K71-16	K90-21	
RG45510EXA	115/60/1	9.2	58.4	4.0	0.6	K146-13	K150-14	K71-19	K90-27	
RG45511BAA	115/60/1	12.5	63.0	3.9	0.5	~	K150-14	~	K90-27	
RG45512BAA	115/60/1	12.7	63.0	~	~	~	K150-16	~	14957914	
RG45512BXD	208-230/60/1	5.6	29.0	5.5	2.3	~	K150-11	~	MST00AHZ-113	
RG45512BXV	265/60/1	4.6	20.0	7.4	3.6	~	K150-04	~	MRA5809-113	
RG45512CXA	115/60/1	10.1	58.4	4.0	0.6	~	K150-14	~	K90-27	
RG45512CXD	208-230/60/1	4.7	27.9	5.9	2.3	~	K150-06	~	T24500-78-ZP	
RG45512ENA	208-230/60/1	5.0	27.9	5.9	2.3	K146-12	K150-06	K71-16	K90-21	
RG45512EXA	115-127/60/1	10.2	58.4	4.0	0.6	K146-13	K150-14	K71-19	K90-27	
RG45512EXD	208-230/60/1	5.0	27.9	5.9	2.3	~	~	~	MRA5751-113	
RG45512EXV	265/60/1	4.3	22.2	8.7	3.5	~	K150-04	~	MRA3736-113	
RG45513BAA	115/60/1	13.9	63.0	3.5	0.5	~	K150-16	~	830-10287	
RG4B514BAA	115/60/1	11.6	63.0	~	~	~	~	~	~	
RG4B515BAA	115/60/1	12.0	63.0	~	~	~	~	~	~	
RGB5450EXA	115/60/1	4.1	30.7	2.7	1.2	~	K150-08	~	PURCH.BRAZIL	
RGB5460EXA	115/60/1	4.8	31.5	2.6	1.1	~	K150-08	~	PURCH.BRAZIL	
RGB5472EXA	115/60/1	6.0	41.1	2.9	0.8	~	K150-08	~	PURCH.BRAZIL	
RGB5492EXA	115/60/1	7.7	45.6	3.0	0.8	~	K150-08	~	8300MRAN99	
RGB5510EXA	115/60/1	9.0	58.4	2.1	0.6	~	50/370	~	K90-27	
RGBB514BAA	115/60/1	9.8	54.2	2.0	0.6	~	~	~	~	
RGBB515BAA	115/60/1	10.0	59.3	2.1	0.5	~	~	~	~	



Model	Volts/Hz/Ph	RLA	LRA	Winding Resistance		Start Cap Part Number	Run Cap Part Number	Relay	Overload	Remarks
				Start	Run					
RKA5450YUZ	230/60/1	3.8	25.0	6.7	2.5	540160	545114	565115	570490	
RKA5450YXG	460/60/3	1.9	16.0	13.5	13.5	~	~	~	570519	
RKA5454YXA	115/60/1	5.5	39.2	5.0	0.9	~	K150-03	~	K90-25	
RKA5454YXD	208-230/60/1	2.4	23.0	5.9	3.6	~	K150-03	~	8300MRAL20	
RKA5470YXA	115/60/1	6.0	48.3	4.3	0.7	~	K150-07	~	8300MRAL22	
RKA5470YXD	208-230/60/1	3.2	27.0	4.0	3.0	~	K150-03	~	K90-17	
RKA5480EXA	115/60/1	6.6	39.2	5.0	0.9	~	K150-07	~	K90-25	
RKA5480EXD	208-230/60/1	3.4	23.0	5.9	3.6	~	K150-03	~	8300MRAL20	
RKA5480EXV	265/60/1	3.2	16.0	3.9	4.8	~	K150-07	~	8300MRAL21	
RKA5480YUZ	230/60/1	3.8	26.0	6.7	2.5	541160	545104	565115	571312	
RKA5480YXG	460/60/3	2.0	16.0	13.5	13.5	~	~	~	570519	
RKA5486YXA	115/60/1	7.3	48.3	4.3	0.7	~	K150-07	~	8300MRAL22	
RKA5486YXD	208-230/60/1	3.6	27.0	4.0	3.0	~	K150-07	K71-21	K90-17	
RKA5490CXA	115/60/1	7.4	44.0	4.0	0.9	~	K150-07	~	8300MRAL19	
RKA5490CXD	208-230/60/1	3.7	20.0	4.2	3.7	K146-39	K150-07	820ARR3H43	K90-16	
RKA5490EXA	115/60/1	7.4	44.0	4.0	0.9	~	K150-07	~	K90-25	
RKA5490EXD	208-230/60/1	3.8	20.0	4.2	3.7	~	K150-07	~	K90-16	
RKA5490EXV	265/60/1	3.3	18.6	3.6	4.0	~	K150-07	~	K90-12	
RKA5510CXA	115/60/1	8.6	48.3	4.3	0.7	~	K150-07	~	8300MRAR96	
RKA5510EXA	115/60/1	8.6	48.3	4.3	0.7	~	K150-07	~	8300MRAL22	
RKA5510EXD	208-230/60/1	4.3	27.0	4.0	3.0	~	K150-07	~	K90-17	
RKA5510EXV	265/60/1	4.2	22.0	~	~	~	K150-07	~	K90-12	
RKA5510YXA	115/60/1	8.4	57.0	2.9	0.6	~	K150-08	~	~	
RKA5510YXD	208-230/60/1	4.5	38.0	3.8	1.7	~	K150-07	K71-21	8300MSTT52	
RKA5512CXD	208-230/60/1	4.6	26.3	3.6	2.5	~	K150-07	~	K90-19	

Model	Volts/Hz/Ph	RLA	LRA	Winding Resistance		Start Cap Part Number	Run Cap Part Number	Relay	Overload	Remarks
				Start	Run					
RKA5512EXA	115/60/1	9.7	54.0	4.4	0.6	K146-13	K150-07	K71-19	K90-27	
RKA5512EXD	208-230/60/1	4.8	26.3	3.6	2.5	K146-13	K150-07	~	K90-19	
RKA5512EXV	265/60/1	4.2	28.0	4.6	2.9	~	K150-11	~	K90-14	
RKA5512YUZ	230/60/1	4.8	30.0	4.9	2.2	541160	545105	565105	~	
RKA5512YXA	115/60/1	9.8	57.0	4.0	0.6	~	K150-08	~	~	
RKA5512YXD	208-230/60/1	4.9	38.0	3.8	1.7	~	K150-07	K71-21	K90-24	
RKA5512YXG	460/60/3	2.3	16.0	13.5	13.5	~	~	~	570519	
RKA5513CXA	115/60/1	11.0	67.0	4.0	0.6	K146-41	K150-07	~	K90-28	
RKA5513CXD	208-230/60/1	5.2	29.0	5.0	2.4	K146-13	K150-07	~	K90-21	
RKA5513EVA	265/60/1	4.8	27.0	5.6	2.8	~	~	~	8300MRAL29	
RKA5513EXA	115/60/1	11.4	67.0	4.0	0.6	K146-41	K150-07	K71-19	K90-28	
RKA5513EXD	208-230/60/1	5.4	29.0	5.0	2.4	K146-13	K150-07	K71-21	K90-21	
RKA5513EXV	265/60/1	4.8	27.0	~	~	~	K150-11	~	8300MRAL29	
RKA5515CXD	208-230/60/1	6.4	38.0	3.8	1.7	~	~	~	8300MRAL30	
RKA5515CXV	265/60/1	5.3	32.0	4.9	2.2	~	K150-11	~	8300MSTT80	
RKA5515EXD	208-230/60/1	6.4	38.0	3.8	1.7	K146-13	K150-07	K71-21	K90-24	
RKA5515EXV	265/60/1	5.4	32.0	4.9	2.2	~	K150-11	~	K90-21	
RKA5518CKZ	220/60/3	4.7	31.0	~	~	~	~	~	570519	
RKA5518EVA	265/60/1	6.3	32.0	4.9	2.2	~	~	~	8300MSTM90	
RKA5518EXD	208-230/60/1	7.6	45.0	4.3	1.5	K146-13	K150-07	K71-16	K90-26	
RKA5518EXV	265/60/1	6.3	32.0	~	~	~	K150-11	~	8300MSTM90	
RKB5513EXA	115/60/1	11.0	54.0	4.4	0.6	K146-13	K150-12	K71-19	K90-28	
RKC5515EXA	115/60/1	13.0	71.0	3.2	0.5	K146-13	K150-16	K71-66	~	
RKG5513EXA	115/60/1	10.8	54.0	4.1	0.6	~	~	K71-19	K90-28	
RKGB515EXA	115/60/1	9.0	54.0	4.1	0.6	~	~	K71-19	K90-28	



Model	Volts/Hz/Ph	RLA	LRA	Winding Resistance		Start Cap Part Number	Run Cap Part Number	Relay	Overload	Remarks
				Start	Run					
RNA5518YNA	208-230/60/1	7.4	52.0	~	~	~	K150-19	~	~	
RNA5520YNA	208-230/60/1	8.1	58.0	~	~	~	~	~	~	
RNA5522YNA	208-230/60/1	9.4	58.0	~	~	~	~	~	~	
RNA5526CXN	208-230/60/1	11.3	71.0	~	~	~	~	~	~	
RNA5528BNA	208-230/60/1	12.7	65.0	~	~	~	~	~	~	
RNA5532BNA	208-230/60/1	13.7	72.0	~	~	~	~	EXRN104501	~	
RNC5526CXN	208-230/60/1	~	71.0	~	~	~	~	~	~	
SFA5554EXG	460/60/3	7.0	60.0	~	2.3	~	~	~	INTERNAL	
SFA5554EXH	575/60/3	5.7	48.4	~	3.6	~	~	~	INTERNAL	
SFA5554EXN	208-230/60/1	22.5	155.0	1.8	0.3	K146-44	K150-19	~	INTERNAL	
SFA5554EXT	200-230/60/3	14.3	108.0	~	0.6	~	~	~	INTERNAL	
SFA5558EXG	460/60/3	7.7	66.0	~	2.0	~	~	~	INTERNAL	
SFA5558EXH	575/60/3	6.1	54.0	~	3.1	~	~	~	INTERNAL	
SFA5558EXN	208-230/60/1	24.4	160.0	1.5	0.3	K146-44	K150-22	~	INTERNAL	
SFA5558EXT	200-230/60/3	15.0	125.0	~	0.5	~	~	~	INTERNAL	
SFA5560EXG	460/60/3	7.8	66.0	~	2.0	~	~	~	INTERNAL	
SFA5560EXH	575/60/3	6.4	54.0	~	3.1	~	~	~	INTERNAL	
SFA5560EXN	208-230/60/1	25.2	160.0	1.5	0.3	K146-44	K150-22	~	INTERNAL	
SFA5560EXT	200-230/60/3	15.7	125.0	~	0.5	~	~	~	INTERNAL	
SFA5572EXG	460/60/3	9.5	72.0	~	1.9	~	~	~	INTERNAL	
SFA5572EXH	575/60/3	7.6	58.0	~	2.9	~	~	~	INTERNAL	
SFA5572EXT	200-230/60/3	19.0	142.0	~	0.5	~	~	~	INTERNAL	
SFA5581EXG	460/60/3	10.5	75.9	~	1.8	~	~	~	INTERNAL	
SFA5581EXT	200-230/60/3	21.0	151.0	~	0.5	~	~	~	INTERNAL	
SFA5594EXG	460/60/3	12.4	89.0	~	1.5	~	~	~	INTERNAL	

Model	Volts/Hz/Ph	RLA	LRA	Winding Resistance		Start Cap Part Number	Run Cap Part Number	Relay	Overload	Remarks
				Start	Run					
SFA5594EXH	575/60/3	10.4	78.4	~	2.0	~	~	~	INTERNAL	
SFA5594EXT	200-230/60/3	25.0	185.0	~	0.4	~	~	~	INTERNAL	
SFA5611EXG	460/60/3	14.4	104.0	~	1.2	~	~	~	INTERNAL	
SFA5611EXH	575/60/3	11.4	78.4	~	2.0	~	~	~	INTERNAL	
SFA5611EXT	200-230/60/3	28.3	205.0	~	0.3	~	~	~	INTERNAL	
SFA5612EXG	460/60/3	17.0	119.0	~	1.0	~	~	~	INTERNAL	
SFA5612EXH	575/60/3	15.2	111.0	~	1.4	~	~	~	INTERNAL	
SFA5612EXT	200-230/60/3	34.5	239.0	~	0.3	~	~	~	INTERNAL	
SFA5615EXG	460/60/3	20.7	135.0	~	0.9	~	~	~	INTERNAL	
SFA5615EXH	575/60/3	17.2	111.0	~	1.4	~	~	~	INTERNAL	
SFA5615EXT	200-230/60/3	41.0	289.0	~	0.2	~	~	~	INTERNAL	
SFAA530ZYG	460/60/3	6.4	48.0	~	2.8	~	~	~	INTERNAL	
SFAA530ZXH	575/60/3	4.9	37.0	~	5.0	~	~	~	INTERNAL	
SFAA530ZXN	208-230/60/1	22.0	122.0	2.6	0.5	K146-44	K150-15	~	INTERNAL	
SFAA530ZXT	200-230/60/3	12.6	95.0	~	0.7	~	~	~	INTERNAL	
SFAA536ZYG	460/60/3	7.8	59.9	~	2.3	~	~	~	INTERNAL	
SFAA536ZXH	575/60/3	6.1	48.4	~	3.6	~	~	~	INTERNAL	
SFAA536ZXN	208-230/60/1	27.2	155.0	1.8	0.3	K146-44	K150-19	~	INTERNAL	
SFAA536ZXT	200-230/60/3	15.4	117.0	~	0.6	~	~	~	INTERNAL	
SFAA540ZYG	460/60/3	8.6	66.0	~	2.0	~	~	~	INTERNAL	
SFAA540ZXH	575/60/3	7.0	54.0	~	3.1	~	~	~	INTERNAL	
SFAA540ZXT	200-230/60/3	17.1	134.0	~	0.5	~	~	~	INTERNAL	
TA1325Y-DS3C	115-127/60/1	0.5	13.5	5.5	10.7	~	85R-10070	SR171104-ZR	4TM213NFBY-53	
TA1340Y-DS1A	115-127/60/1	1.3	14.5	10.4	7.4	~	~	SR171102-ZR	4TM283RFBY-53	
TA1340Y-DS1B	115-127/60/1	1.1	18.5	~	~	~	~	SR171102-ZR	4TM283RFBY-53	

Model	Volts/Hz/Ph	RLA	LRA	Winding Resistance		Start Cap Part Number	Run Cap Part Number	Relay	Overload	Remarks
				Start	Run					
TA1360V-DS1B	115-127/60/1	1.5	23.5	5.1	4.0	~	~	SRI71102-ZR	830-10148	
TC1410U-DS7C	115-127/60/1	1.7	23.5	5.6	3.3	85S-10098	85R-10059	SRI71224-ZR	4TM419TBY-53	
TC1413U-DS7C	115-127/60/1	2.1	23.5	9.2	2.8	85S-10098	85R-10058	SRI71224-ZR	4TM419TBY-53	
TCW330U-DS8B	115-127/60/1	1.4	15.5	9.8	4.0	85S-10097	~	820-10293	830-10349	
TCW350U-DS8B	115-127/60/1	1.5	20.5	9.8	4.0	85S-10097	~	820-10293	830-10040	
TCW360U-LS6A	115/60/1	1.8	21.0	9.6	4.5	85S-10097	~	820-10294	830-10087	
TCW380U-DS8B	115-127/60/1	2.0	20.0	16.9	3.4	85S-10088	~	820-10110	830-10040	
TCW390U-DS8B	115-127/60/1	2.4	26.0	16.4	2.3	85S-10097	~	820-10082	830-10087	
TCW390U-LS8B	115/60/1	2.5	26.0	9.5	2.4	85S-10096	~	820-10303	830-10087	
TCW410U-DS8B	115-127/60/1	2.7	26.0	16.4	2.3	85S-10097	~	820-10082	830-10087	
TCX413U-DS1B	115-127/60/1	3.2	29.0	5.0	2.2	85S-10099	~	9660C-3018-172	830-10383	
TCX415U-DS1B	115-127/60/1	3.3	30.5	5.0	2.1	85S-10099	~	9660C-3018-172	830-10383	
THA037YXA	115/60/1	1.4	14.0	~	~	~	~	~	~	
THA0370YXA	115/60/1	1.9	14.4	15.3	3.8	~	~	RP14701-ZR	830-10281	
THA0384YXA	115/60/1	2.2	18.5	12.8	3.1	~	~	820-10256	T9019-24-ZP	
THA0410YXA	115/60/1	2.9	25.3	9.8	2.3	~	~	RP5501-ZR	T28306-24-ZP	
THA0412YXA	115/60/1	3.4	27.5	10.4	2.0	~	~	RP5815-ZR	T5706-23-ZP	
THA0414YXA	115/60/1	4.0	33.0	7.4	1.7	301P270-324F165	~	820-10318	T88331-23-ZP	
THA1340YXA	115/60/1	1.0	16.4	9.2	3.8	~	K150-01	K71-23	4TM232KFBY-53	
THA1358YXA	115/60/1	1.8	18.0	8.7	3.6	85S-10021	14943072	RP4408-ZR	830-10281	
THA2395UDS	115-127/60/1	2.5	20.0	~	~	~	~	~	~	
THA9416UJA	115/60/1	3.5	25.3	9.8	2.3	~	~	~	~	
THB1355YXA	115/60/1	2.2	22.2	6.6	2.6	~	~	82008EAH05	4TM408TBY-53	
THB4419VHZ	208-220/60/1	1.7	10.0	24.5	9.2	14950762	~	14950763	T7910-98-ZP	
THG1328VCS	115-127/60/1	0.5	12.0	9.0	8.7	~	~	SRI71104-ZR	4TM197NFBY-53	

Model	Volts/Hz/Ph	RLA	LRA	Winding Resistance		Start Cap Part Number	Run Cap Part Number	Relay	Overload	Remarks
				Start	Run					
THG1335YLS	115/60/1	1.4	16.0	~	~	~	~	SRI71102-ZR	4TM308MFBYY-53	
THG1340YLS	115/60/1	1.4	17.5	11.0	4.0	~	~	~	~	
THG1340YXA	115/60/1	1.0	16.4	9.2	3.8	~	~	K71-23	~	
THG1352YDS	115-127/60/1	1.5	18.0	11.3	4.1	~	~	SRI71102-ZR	4TM314PFBYY-53	
THG1352YGS	220/60/1	0.8	10.5	~	~	~	~	~	~	
THG1358YLS	115/60/1	2.1	22.0	~	~	~	~	SRI71102-ZR	T86635-23-ZP	
THG1374YXA	115/60/1	1.6	21.0	8.5	2.7	~	~	SRI71104-ZR	4TM419LFBYY-53	
THK1358VAS	115/60/1	1.1	17.0	6.1	4.3	~	~	~	~	
TPA0413YXA	115/60/1	3.8	30.0	9.2	1.6	K146-22	~	K71-08	8300MRPS30	
TPA0413YXD	208-230/60/1	2.2	19.2	30.1	4.8	K146-29	~	82767	8300MRAS43	
TPA0415YXA	115/60/1	4.0	30.0	9.1	1.6	K146-22	~	K71-08	8300MRPS44	
TPA0415YXD	208-230/60/1	2.3	19.2	30.1	4.8	K146-29	~	82767	8300MRAS43	
TPA0421YXA	115/60/1	5.5	37.5	9.1	1.4	~	~	~	~	
TPA0421YXD	208-230/60/1	3.4	25.5	16.8	4.2	~	~	K71-04	8300MRPR89	
TPA0423YXA	115/60/1	6.1	42.5	10.6	1.0	~	~	~	~	
TPA1370YXA	115/60/1	1.2	21.3	4.5	2.7	~	K150-02	K71-23	K90-05	
TPA1380YXA	115/60/1	1.4	21.3	4.5	2.7	~	K150-02	K71-23	K90-05	
TPA1390YXA	115/60/1	1.6	21.3	4.5	2.7	~	K150-02	K71-23	K90-05	
TPA1410YXA	115/60/1	1.8	21.3	4.5	2.7	~	K150-02	K71-23	K90-05	
TPA1410YXD	208-230/60/1	1.1	15.8	19.2	6.1	~	K150-03	82008EAJ54	83004TMP67	
TPA1413YXA	115/60/1	2.2	20.5	4.0	1.8	~	K150-02	K71-23	K90-73	
TPA2411ZAA	115/60/1	4.3	31.0	~	~	K146-23	~	RP16218-ZR	T91531-23-ZP	
TPA2414UDS	115-127/60/1	4.6	42.0	7.9	1.3	85S-10086	~	820-10267	MRA58179-5586	
TPA9415YXA	115/60/1	3.9	26.5	~	~	~	~	~	~	
TPA9415YXD	208-230/60/1	2.0	15.5	16.6	5.7	K146-24	~	K71-05	8300MRAT26	

Model	Volts/Hz/Ph	RLA	LRA	Winding Resistance		Start Cap Part Number	Run Cap Part Number	Relay	Overload	Remarks
				Start	Run					
TPA9415ZAA	115/60/1	5.0	32.0	~	~	~	~	~	~	~
TPA9417YXA	115/60/1	5.0	34.0	7.9	1.2	K146-17	~	K71-10	~	~
TPA9419YXA	115/60/1	6.2	40.0	5.9	1.0	K146-25	~	K71-06	K90-14	~
TPA9421YXA	115/60/1	6.4	40.0	5.9	1.0	K146-25	~	K71-06	K90-14	~
TPA9421YXD	208-230/60/1	3.3	21.2	13.9	4.3	K146-31	~	K71-27	8300MRPR89	~
TPA9423UAA	115/60/1	4.8	36.0	~	~	~	~	~	~	~
TPA9423XAA	115/60/1	6.1	36.0	~	~	~	~	~	~	~
TPA9423YXA	115/60/1	6.9	44.5	4.8	0.9	K146-51	~	K71-06	K90-17	~
TPA9423YXD	208-230/60/1	3.6	24.0	15.4	3.3	K146-36	~	820RR12L03	8300MRAT74	~
TPA9423ZAA	115/60/1	6.1	36.0	~	~	302P216-259F220	~	8200EMBJ77	T13494-23-ZP	~
TPB0413YAA	115/60/1	3.4	27.9	~	~	K146-51	~	14949970	T89506-23-CXF	~
TPB1370YXA	115/60/1	2.1	23.5	10.2	2.3	~	~	K71-23	K90-05	~
TPB1390YXA	115/60/1	2.7	25.5	8.7	1.9	~	~	K71-23	83004TMR17	~
TPB9415YAA	115/60/1	3.7	26.0	4.7	1.6	K146-14	~	8209660L79	8300MRAT23	~
TPB9417YAA	115/60/1	4.7	34.0	~	~	~	~	~	~	~
TPB9421YAA	115/60/1	6.2	44.4	6.0	1.0	K146-51	~	14949065	T28794-23-ZP	~
TPB9423YAA	115/60/1	6.6	44.5	5.1	0.8	K146-51	~	K71-06	K90-17	~
TPD1380YXA	115/60/1	1.4	21.3	4.3	2.6	~	K150-02	K71-23	K90-05	~
TPD1390YXA	115/60/1	1.6	21.3	4.3	2.6	~	K150-02	K71-23	K90-05	~
TPE1370YXA	115/60/1	1.2	19.5	4.5	2.8	~	~	K71-23	K90-05	~
TPE1380YXA	115/60/1	1.4	19.5	4.5	2.8	~	K150-02	K71-23	K90-05	~
TPE1390YXA	115/60/1	1.5	19.5	4.5	2.8	~	K150-02	K71-23	K90-05	~
TPG1370YXA	115/60/1	1.1	19.0	4.3	3.3	~	15MFD220V-H	K71-23	K90-05	~
TPG1380VMS	220/60/1	0.7	12.5	14.5	9.0	~	~	~	~	~
TPG1380YXA	115/60/1	1.3	19.0	4.3	3.3	~	~	~	~	~

Model	Volts/Hz/Ph	RLA	LRA	Winding Resistance		Start Cap Part Number	Run Cap Part Number	Relay	Overload	Remarks
				Start	Run					
TPG1930VMR	208-230/60/1	0.8	12.5	14.5	9.0	~	~	~	~	
TPG1930VXA	115/60/1	1.5	19.0	4.3	3.3	~	~	~	~	
TPG1410VXA	115/60/1	1.7	22.5	3.8	2.5	302P216-259F165	~	SR171224-ZR	4TM427NFBYY-53	
TPH1410VDS	115-127/60/1	3.1	30.0	~	~	~	~	~	~	
TS1374VAS	115/60/1	1.1	17.0	6.1	4.3	~	~	SR171104-ZR	10590379	
TS1855VAS	115/60/1	0.9	19.0	~	~	~	~	~	10590379	
TS1380VDS	115-127/60/1	2.1	23.0	~	~	~	~	SR171403-ZR	4TM435PFBZZ-53	
TS1390VDS	115-127/60/1	2.6	28.5	5.6	2.3	302P270-324F165	~	RP5618-ZR	4TM7571FBZZ-53	
VE1348Y-MA5C	250/53-150/1	1.0	4.0	7.5	7.5	~	~	~	~	
VSA9490ZNA	208-230/60/1	7.2	50.7	2.7	1.1	K146-13	K150-14	K71-43	INTERNAL	
VSA9490ZXC	460/60/3	2.5	21.0	~	8.8	~	~	~	INTERNAL	
VSA9490ZXT	200-230/60/3	5.2	40.5	~	2.3	~	~	~	INTERNAL	
VSA9510ZNA	208-230/60/1	8.0	65.9	2.8	0.9	K146-13	K150-14	K71-19	INTERNAL	
VSA9510ZTZ	440/60/3	2.8	19.9	~	8.8	~	~	~	INTERNAL	
VSA9510ZXC	460/60/3	2.8	21.0	~	8.8	~	~	~	INTERNAL	
VSA9510ZXT	200-230/60/3	5.6	40.5	~	2.3	~	~	~	INTERNAL	
VSA9512ZNA	208-230/60/1	8.8	65.9	2.8	0.9	K146-13	K150-14	K71-19	INTERNAL	
VSA9512ZXC	460/60/3	3.3	25.0	~	7.4	~	~	~	INTERNAL	
VSA9512ZXT	200-230/60/3	6.5	48.5	~	1.9	~	~	~	INTERNAL	
VSA9514ZNA	208-230/60/1	10.3	83.0	1.9	0.6	K146-13	~	K71-43	INTERNAL	
VSA9514ZTZ	440/60/3	3.7	21.5	~	7.4	~	~	~	INTERNAL	
VSA9514ZXC	460/60/3	3.7	25.0	~	7.4	~	~	~	INTERNAL	
VSA9514ZXT	200-230/60/3	7.1	48.5	~	1.9	~	~	~	INTERNAL	
VSA9517ZNA	208-230/60/1	12.0	83.0	1.9	0.6	K146-13	K150-18	K71-43	INTERNAL	
VSA9517ZTZ	440/60/3	4.0	35.1	~	5.1	~	~	~	INTERNAL	

Model	Volts/Hz/Ph	RLA	LRA	Winding Resistance		Start Cap Part Number	Run Cap Part Number	Relay	Overload	Remarks
				Start	Run					
VSAG517ZYG	460/60/3	7.0	33.7	~	5.1	~	~	~	INTERNAL	
VSAG517ZXT	200-230/60/3	8.2	77.5	~	0.7	~	~	~	INTERNAL	
VSAG521ZNA	208-230/60/1	14.6	101.6	2.0	0.5	K146-13	K150-21	K71-21	INTERNAL	
VSAG521TZ	440/60/3	5.1	40.4	~	4.1	~	~	~	INTERNAL	
VSAG521ZG	460/60/3	5.4	40.4	~	4.1	~	~	~	INTERNAL	
VSAG521ZXT	200-230/60/3	9.8	80.0	~	1.1	~	~	~	INTERNAL	
VSAG524ZTB	200-230/60/3	12.6	104.0	~	0.8	~	~	~	INTERNAL	
VSAG524ZYG	460/60/3	5.2	40.8	~	4.2	~	~	~	INTERNAL	
VSAG524ZXT	200-230/60/3	10.2	80.0	~	1.1	~	~	~	INTERNAL	
VSAG528TZ	440/60/3	6.0	47.5	~	2.7	~	~	~	INTERNAL	
VSAG528ZG	460/60/3	8.0	47.5	~	2.7	~	~	~	INTERNAL	
VSAG528ZXT	200-230/60/3	12.2	96.0	~	0.7	~	~	~	INTERNAL	
VSAG536TZ	440/60/3	7.6	72.9	~	1.8	~	~	~	INTERNAL	
VSAG536ZG	460/60/3	9.0	72.9	~	1.8	~	~	~	INTERNAL	
VSAG536ZXT	200-230/60/3	15.9	153.0	~	0.4	~	~	~	INTERNAL	
VSAG544ZYG	460/60/3	9.4	80.4	~	1.5	~	~	~	INTERNAL	
VSAG544ZXT	200-230/60/3	19.1	156.0	~	0.4	~	~	~	INTERNAL	
VSAG475ZXT	200-230/60/3	7.0	77.5	~	0.7	~	~	~	INTERNAL	
VSAG494ZXT	200-230/60/3	8.3	80.0	~	1.1	~	~	~	INTERNAL	
VSAG517ZYG	460/60/3	4.2	40.8	~	4.2	~	~	~	INTERNAL	
VSAG517ZXT	200-230/60/3	8.6	80.0	~	1.1	~	~	~	INTERNAL	
VSAG513ZXT	200-230/60/3	9.3	80.0	~	1.1	~	~	~	INTERNAL	
VSAG514ZYG	460/60/3	5.7	48.3	~	2.7	~	~	~	INTERNAL	
VSAG514ZXT	200-230/60/3	11.4	96.0	~	0.7	~	~	~	INTERNAL	
VSAG518ZYG	460/60/3	7.4	73.0	~	1.8	~	~	~	INTERNAL	

Model	Volts/Hz/Ph	RLA	LRA	Winding Resistance		Start Cap Part Number	Run Cap Part Number	Relay	Overload	Remarks
				Start	Run					
V5AG518ZXT	200-230/60/3	14.7	153.0	~	0.4	~	~	~	INTERNAL	
V5AG523ZYG	460/60/3	8.4	80.4	~	1.5	~	~	~	INTERNAL	
V5AG523ZXT	200-230/60/3	16.8	156.1	~	0.4	~	~	~	INTERNAL	
V5BG475ZNA	208-230/60/1	9.0	69.8	1.8	0.8	K146-13	K150-18	K71-43	INTERNAL	
V5BG475ZYG	460/60/3	3.1	29.5	~	6.0	~	~	~	INTERNAL	
V5BG494ZNA	208-230/60/1	10.8	71.9	1.9	0.8	K146-41	K150-18	K71-43	INTERNAL	
V5BG494ZYG	460/60/3	3.4	29.5	~	6.0	~	~	~	INTERNAL	
V5BG511ZNA	208-230/60/1	11.9	83.6	1.5	0.6	K146-43	K150-21	K71-43	INTERNAL	
V5C5525ENA	208-230/60/1	12.2	69.0	1.7	0.8	K146-44	85PR370F21	K71-58	INTERNAL	
V5C5529BNA	208-230/60/1	17.0	96.7	1.6	0.7	K146-44	85PR370F21	K71-58	INTERNAL	
V5C5532BNA	208-230/60/1	16.0	87.5	1.7	0.7	K146-12	85PR370F26	K71-59	INTERNAL	
V5C5532ENA	208-230/60/1	16.7	96.7	1.6	0.7	K146-44	85PR370F21	K71-58	INTERNAL	
V5C5534BNA	208-230/60/1	21.5	105.0	1.4	0.5	K146-12	85PR370F31	K71-59	INTERNAL	
V5C5534ENA	208-230/60/1	16.7	96.7	1.6	0.7	K146-44	85PR370F21	K71-58	INTERNAL	
V5C5536BNA	208-230/60/1	21.5	105.0	1.4	0.5	K146-12	85PR370F31	K71-59	INTERNAL	
V5C5538BNA	208-230/60/1	21.0	115.0	1.5	0.6	K146-12	85PR370F29	K71-59	INTERNAL	
V5C5538ENA	208-230/60/1	19.5	105.0	1.5	0.6	K146-12	85PR370F31	K71-59	INTERNAL	
V5C5540BNA	208-230/60/1	21.0	115.0	1.5	0.6	K146-12	85PR370F29	K71-59	INTERNAL	
V5C5540ENA	208-230/60/1	21.0	115.0	1.5	0.6	K146-12	85PR370F29	K71-59	INTERNAL	
V5C5542ENA	208-230/60/1	21.0	115.0	1.5	0.5	K146-12	85PR370F29	K71-59	INTERNAL	
V5C5545ENA	208-230/60/1	23.0	115.0	1.5	0.6	K146-12	85PR370F29	K71-59	INTERNAL	
V5C5547ENA	208-230/60/1	24.4	120.0	1.3	0.5	K146-12	85PR370F29	K71-59	INTERNAL	
V5C5548BNA	208-230/60/1	27.0	135.0	1.1	0.4	K146-49	85PR370F32	K71-59	INTERNAL	
V5C5550BNA	208-230/60/1	27.5	135.0	1.1	0.4	K146-49	85PR370F32	K71-59	INTERNAL	
V5C5554BNA	208-230/60/1	29.0	145.0	0.8	0.3	K146-64	85R-10046	K71-59	INTERNAL	



Model	Volts/Hz/Ph	RLA	LRA	Winding Resistance		Start Cap Part Number	Run Cap Part Number	Relay	Overload	Remarks
				Start	Run					
VSC5554ENA	208-230/60/1	25.0	150.0	0.8	0.3	K146-49	85PR370F32	K71-59	INTERNAL	
VSC5556BNA	208-230/60/1	30.1	145.0	0.8	0.3	K146-64	85R-10046	K71-59	INTERNAL	
VSC5560ENA	208-230/60/1	28.8	145.0	0.8	0.3	K146-64	85R-10046	K71-59	INTERNAL	
VSC9515XNA	208-230/60/1	12.2	69.0	1.7	0.8	K146-44	~	K71-58	INTERNAL	
VSC9515XXG	460/60/3	4.5	30.0	~	6.7	~	~	~	INTERNAL	
VSC9515XXH	575/60/3	3.5	26.0	~	10.6	~	~	~	INTERNAL	
VSC9515XXT	200-230/60/3	9.3	60.0	~	1.7	~	~	~	INTERNAL	
VSC9515ZNA	208-230/60/1	12.2	69.0	1.7	0.8	~	~	~	INTERNAL	
VSC9515ZXG	460/60/3	4.5	30.0	~	6.7	~	~	~	INTERNAL	
VSC9515ZXH	575/60/3	3.5	26.0	~	10.6	~	~	~	INTERNAL	
VSC9515ZXT	200-230/60/3	9.3	60.0	~	1.7	~	~	~	INTERNAL	
VSC9519XNA	208-230/60/1	16.0	97.0	1.6	0.7	K146-44	~	K71-58	INTERNAL	
VSC9519XXG	460/60/3	6.1	45.0	~	4.7	~	~	~	INTERNAL	
VSC9519XXH	575/60/3	5.0	38.0	~	7.3	~	~	~	INTERNAL	
VSC9519XXT	200-230/60/3	11.2	95.0	~	1.2	~	~	~	INTERNAL	
VSC9519ZNA	208-230/60/1	16.0	97.0	1.6	0.7	~	~	~	INTERNAL	
VSC9519ZXG	460/60/3	6.1	45.0	~	4.7	~	~	~	INTERNAL	
VSC9519ZXH	575/60/3	5.0	38.0	~	7.3	~	~	~	INTERNAL	
VSC9519ZXT	200-230/60/3	11.2	95.0	~	1.2	~	~	~	INTERNAL	
VSC9521XNA	208-230/60/1	16.7	97.0	1.6	0.7	K146-44	~	K71-58	INTERNAL	
VSC9521XXG	460/60/3	6.1	45.0	~	4.7	~	~	~	INTERNAL	
VSC9521XXH	575/60/3	4.5	38.0	~	7.3	~	~	~	INTERNAL	
VSC9521XXT	200-230/60/3	11.2	95.0	~	1.2	~	~	~	INTERNAL	
VSC9521ZNA	208-230/60/1	16.7	97.0	1.6	0.7	~	~	~	INTERNAL	
VSC9521ZXG	460/60/3	6.1	45.0	~	4.7	~	~	~	INTERNAL	

Model	Volts/Hz/Ph	RLA	LRA	Winding Resistance		Start Cap Part Number	Run Cap Part Number	Relay	Overload	Remarks
				Start	Run					
VSC9521ZXH	575/60/3	4.5	38.0	~	7.3	~	~	~	INTERNAL	
VSC9521ZXT	200-230/60/3	11.2	95.0	~	1.2	~	~	~	INTERNAL	
VSC9526XNA	208-230/60/1	21.0	115.0	1.5	0.5	K146-13	~	K71-59	INTERNAL	
VSC9526XXG	460/60/3	6.4	45.0	~	4.7	~	~	~	INTERNAL	
VSC9526XXH	575/60/3	5.1	38.0	~	7.3	~	~	~	INTERNAL	
VSC9526XXT	200-230/60/3	14.1	95.0	~	1.2	~	~	~	INTERNAL	
VSC9526ZNA	208-230/60/1	21.0	115.0	1.5	0.5	~	~	~	INTERNAL	
VSC9526ZXG	460/60/3	6.4	45.0	~	4.7	~	~	~	INTERNAL	
VSC9526ZXH	575/60/3	5.1	38.0	~	7.3	~	~	~	INTERNAL	
VSC9526ZXT	200-230/60/3	14.1	95.0	~	1.2	~	~	~	INTERNAL	
VSC9530XNA	208-230/60/1	24.4	150.0	0.9	0.3	K146-49	~	K71-59	INTERNAL	
VSC9530XXG	460/60/3	8.3	60.0	~	2.6	~	~	~	INTERNAL	
VSC9530XXH	575/60/3	5.1	42.0	~	4.4	~	~	~	INTERNAL	
VSC9530XXT	200-230/60/3	16.7	120.0	~	0.7	~	~	~	INTERNAL	
VSC9530ZNA	208-230/60/1	24.4	150.0	0.9	0.3	~	~	~	INTERNAL	
VSC9530ZXG	460/60/3	8.3	60.0	~	2.6	~	~	~	INTERNAL	
VSC9530ZXH	575/60/3	5.1	42.0	~	4.4	~	~	~	INTERNAL	
VSC9530ZXT	200-230/60/3	16.7	120.0	~	0.7	~	~	~	INTERNAL	
VSC9538XNA	208-230/60/1	28.9	160.0	1.8	0.3	K146-13	~	K71-67	INTERNAL	
VSC9538XXG	460/60/3	9.6	70.0	~	2.3	~	~	~	INTERNAL	
VSC9538XXH	575/60/3	4.7	53.0	~	4.1	~	~	~	INTERNAL	
VSC9538XXT	200-230/60/3	16.7	123.0	~	0.6	~	~	~	INTERNAL	
VSC9538ZNA	208-230/60/1	28.9	160.0	1.8	0.3	~	~	~	INTERNAL	
VSC9538ZXG	460/60/3	9.6	70.0	~	2.3	~	~	~	INTERNAL	
VSC9538ZXH	575/60/3	4.7	53.0	~	4.1	~	~	~	INTERNAL	

Model	Volts/Hz/Ph	RLA	LRA	Winding Resistance		Start Cap Part Number	Run Cap Part Number	Relay	Overload	Remarks
				Start	Run					
VSC9538ZT	200-230/60/3	16.7	1230	~	0.6	~	~	~	INTERNAL	
VSC9545XXG	460/60/3	9.6	82.0	~	1.8	~	~	~	INTERNAL	
VSC9545XXH	575/60/3	7.7	64.0	~	2.9	~	~	~	INTERNAL	
VSC9545XXT	200-230/60/3	19.2	170.0	~	0.5	~	~	~	INTERNAL	
VSC9545ZXG	460/60/3	9.6	82.0	~	1.8	~	~	~	INTERNAL	
VSC9545ZXH	575/60/3	7.7	64.0	~	2.9	~	~	~	INTERNAL	
VSC9545ZXT	200-230/60/3	19.2	170.0	~	0.5	~	~	~	INTERNAL	
VSC9548XXG	460/60/3	10.3	87.0	~	1.7	~	~	~	INTERNAL	
VSC9548XXH	575/60/3	8.3	67.0	~	2.5	~	~	~	INTERNAL	
VSC9548XXT	200-230/60/3	23.7	190.0	~	0.4	~	~	~	INTERNAL	
VSC9548ZXG	460/60/3	10.3	87.0	~	1.7	~	~	~	INTERNAL	
VSC9548ZXH	575/60/3	8.3	67.0	~	2.5	~	~	~	INTERNAL	
VSC9548ZXT	200-230/60/3	23.7	190.0	~	0.4	~	~	~	INTERNAL	
VSC9558XXG	460/60/3	12.8	95.0	~	1.4	~	~	~	INTERNAL	
VSC9558XXH	575/60/3	9.4	75.0	~	2.3	~	~	~	INTERNAL	
VSC9558XXT	200-230/60/3	25.6	190.0	~	0.4	~	~	~	INTERNAL	
VSC9558ZXG	460/60/3	12.8	95.0	~	1.4	~	~	~	INTERNAL	
VSC9558ZXH	575/60/3	9.4	75.0	~	2.3	~	~	~	INTERNAL	
VSC9558ZXT	200-230/60/3	25.6	190.0	~	0.4	~	~	~	INTERNAL	
VSC9566XXG	460/60/3	16.0	110.0	~	1.3	~	~	~	INTERNAL	
VSC9566XXH	575/60/3	11.5	95.0	~	2.0	~	~	~	INTERNAL	
VSC9566XXT	200-230/60/3	29.5	235.0	~	0.3	~	~	~	INTERNAL	
VSC9566ZXG	460/60/3	16.0	110.0	~	1.3	~	~	~	INTERNAL	
VSC9566ZXH	575/60/3	11.5	95.0	~	2.0	~	~	~	INTERNAL	
VSC9566ZXT	200-230/60/3	29.5	235.0	~	0.3	~	~	~	INTERNAL	

Model	Volts/Hz/Ph	RLA	LRA	Winding Resistance		Start Cap Part Number	Run Cap Part Number	Relay	Overload	Remarks
				Start	Run					
VSC9576XXG	460/60/3	19.2	140.0	~	1.1	~	~	~	INTERNAL	
VSC9576XXH	575/60/3	14.2	100.0	~	1.7	~	~	~	INTERNAL	
VSC9576XXT	200-230/60/3	32.0	235.0	~	0.3	~	~	~	INTERNAL	
VSC9576ZXG	460/60/3	19.2	140.0	~	1.1	~	~	~	INTERNAL	
VSC9576ZXH	575/60/3	14.2	100.0	~	1.7	~	~	~	INTERNAL	
VSC9576ZXT	200-230/60/3	32.0	235.0	~	0.3	~	~	~	INTERNAL	
VSCF513ZXG	460/60/3	8.0	62.0	~	0.6	~	~	~	INTERNAL	
VSCF513ZXT	200-230/60/3	17.9	123.0	~	2.3	~	~	~	INTERNAL	
VSCF515ZXG	460/60/3	9.6	88.5	~	0.5	~	~	~	INTERNAL	
VSCF515ZXT	200-230/60/3	18.5	180.0	~	1.7	~	~	~	INTERNAL	
VSCF518ZXG	460/60/3	10.0	90.0	~	0.4	~	~	~	INTERNAL	
VSCF518ZXT	200-230/60/3	20.0	184.0	~	1.7	~	~	~	INTERNAL	
VSCF524ZXG	460/60/3	13.5	95.0	~	0.4	~	~	~	INTERNAL	
VSCF524ZXT	200-230/60/3	25.6	190.0	~	1.5	~	~	~	INTERNAL	
VSCF534ZXG	460/60/3	16.7	150.0	~	0.4	~	~	~	INTERNAL	
VSCF534ZXT	200-230/60/3	32.0	240.0	~	~	~	~	~	INTERNAL	

Introduction to Electrical Drawings

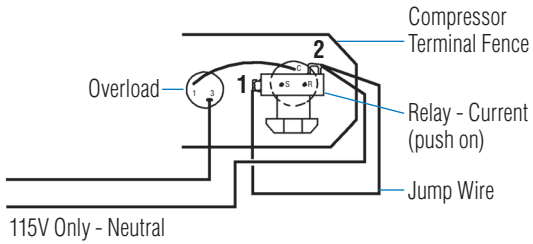
1. The drawings which follow cover both current production and obsolete compressor models.
2. For ease in determination of the proper drawing, indexes are provided.
3. Each drawing has a descriptive title, a representative compressor photograph.
4. The following general points should be considered:
 - A. All notations are important and must be heeded.
 - B. All ESP relays must be mounted as shown in the drawings or, in the case of remote installations, exactly as was the original.
 - C. The two terminal overloads shown in the drawings are typical examples. ESP overloads may be provided with terminals at #1 and #3 or #1 and #2 or may have factory applied leads or straps. Regardless, as long as they are wired as shown in the drawings, the circuit will be correct.
 - D. Fan motor leads, if not originally connected elsewhere in the equipment, are always connected to line terminals.

Page	Compressor Series	Description
83	AE/AE ²	RSIR and CSIR with current relay
84	AE/AE ²	PSC or CSR with potential relay
85	AG	PSC or CSR with potential relay
86	AH	CSIR with current relay
87	AH	PSC or CSR with potential relay
88	AJ	CSIR with current relay
89	AJ	PSC or CSR with potential relay
91	AK	CSIR with current relay
92	AK/AK ²	PSC or CSR with potential relay
93	AV	PSC or CSR with potential relay
94	AW	PSC or CSR with potential relay
95	AZ/TH	RSIR or CSIR with current relay
96	RG, RK	PSC or CSR with potential relay
97	SF	PSC or CSR with potential relay
98	TP	PTCS-CR and CSIR with current relay
99	VS	PSC or CSR with potential relay
100	AB	PSC or CSR with potential relay
101	CL	PSC or CSR with potential relay (internal overload models)
102	CL	PSC or CSR with potential relay (internal thermostat models)
103	CL	3 Phase (internal thermostat models)

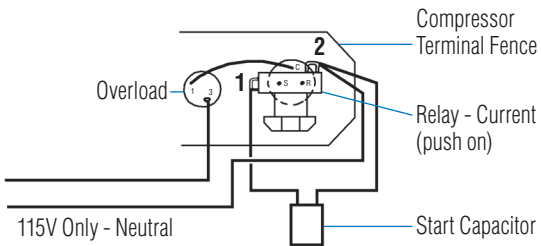
AE/AE² Series Compressor



Representative photo only
Many variations possible

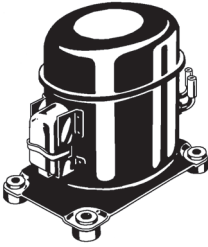


(RSIR)

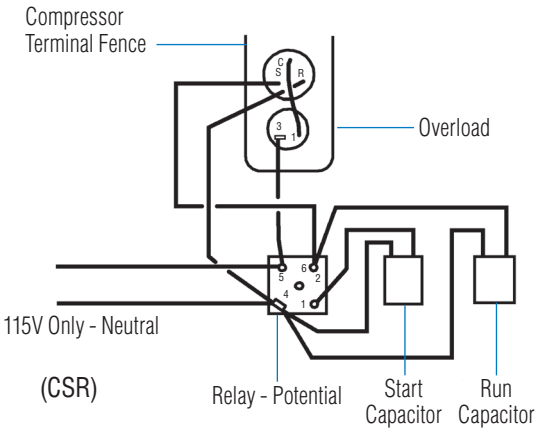
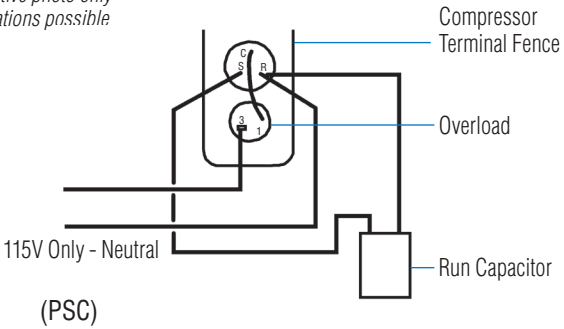


(CSIR)

AE/AE² Series Compressor

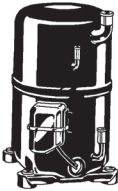


*Representative photo only
Many variations possible*

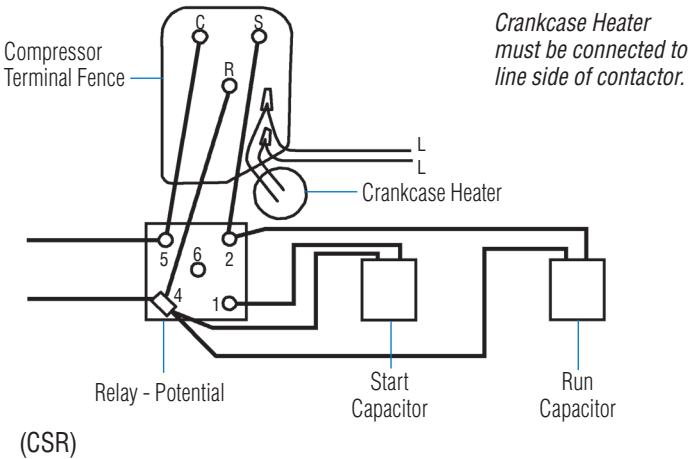
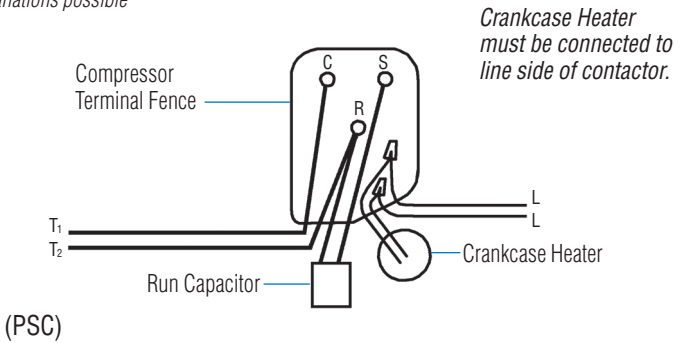


NOTE: Wire to relay as shown regardless of terminal location.

AG Series Compressor



Representative photo only
Many variations possible

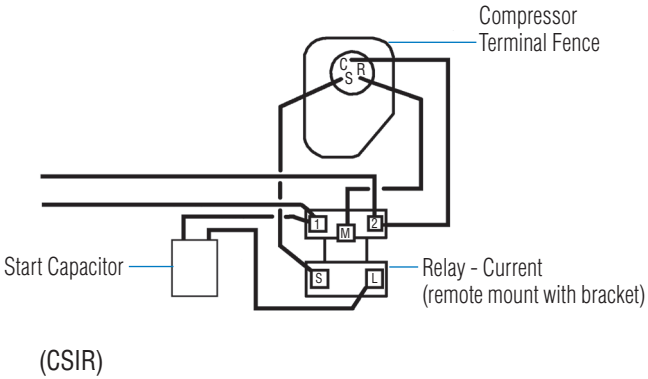


NOTE: Wire to relay as shown regardless of terminal location.

AH Series Compressor

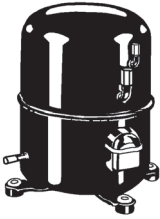


*Representative photo only
Many variations possible*

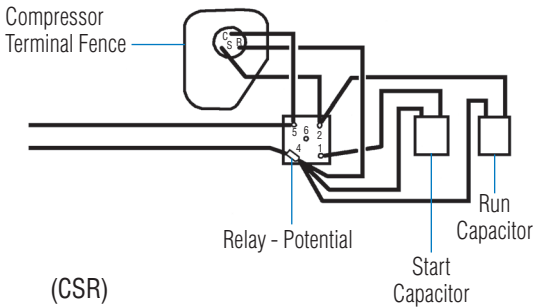
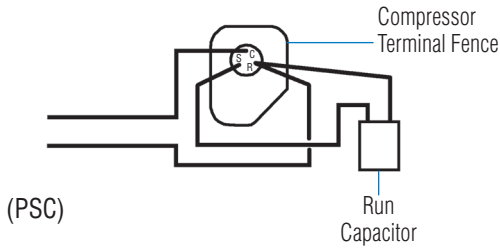


NOTE: Wire to relay as shown regardless of terminal location.

AH Series Compressor



*Representative photo only
Many variations possible*

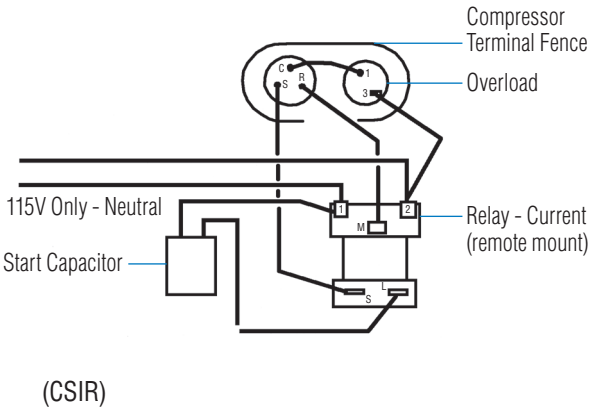


NOTE: Wire to relay as shown regardless of terminal location.

AJ Series Compressor



*Representative photo only
Many variations possible*

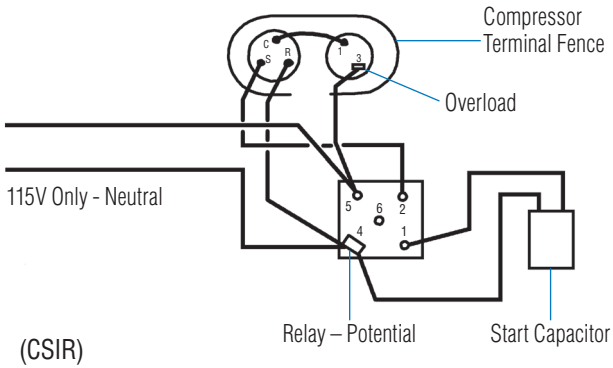


NOTE: Wire to relay as shown regardless of terminal location.

AJ Series Compressor



*Representative photo only
Many variations possible*

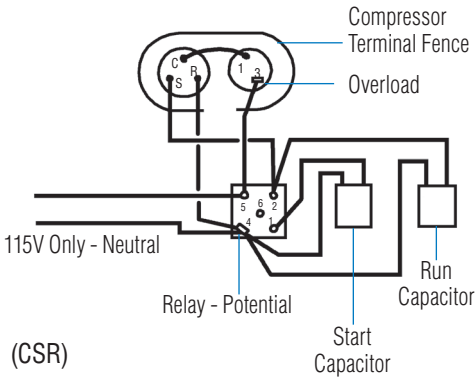
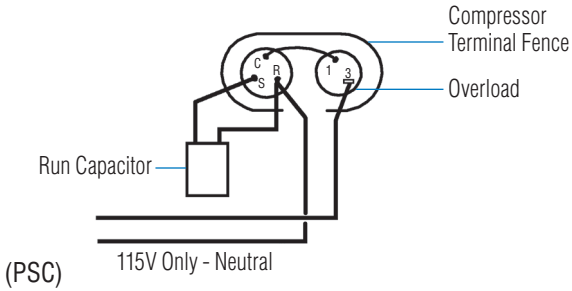


NOTE: Wire to relay as shown regardless of terminal location.

AJ Series Compressor

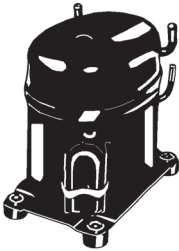


Representative photo only
Many variations possible

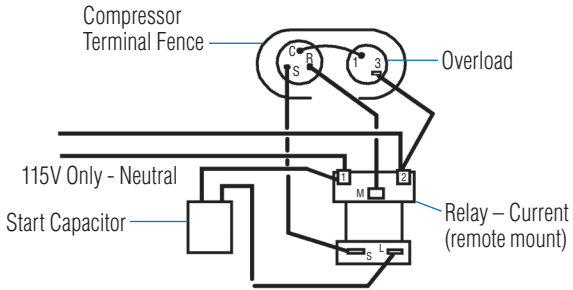


NOTE: Wire to relay as shown regardless of terminal location.

AK Series Compressor



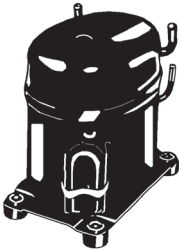
*Representative photo only
Many variations possible*



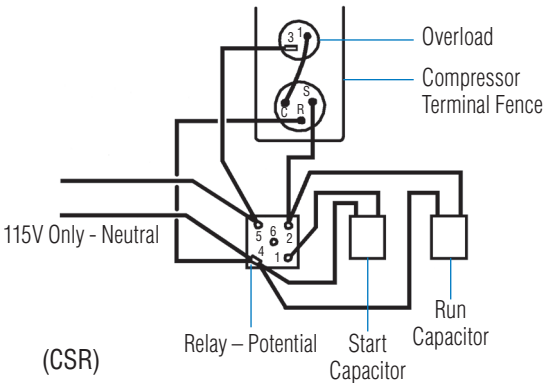
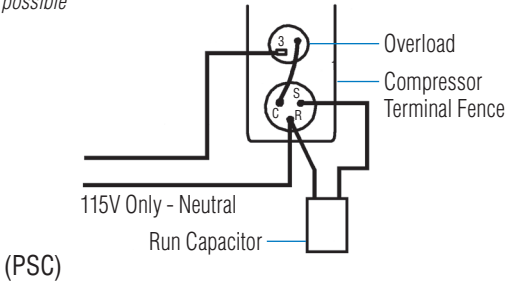
(CSIR)

NOTE: Wire to relay as shown regardless of terminal location.

AK/AK² Series Compressor



Representative photo only
Many variations possible



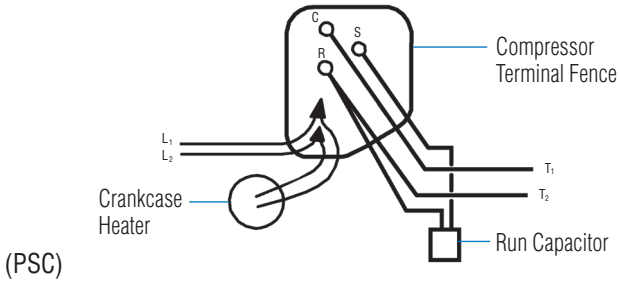
NOTE: Wire to relay as shown regardless of terminal location.

AV Series Models

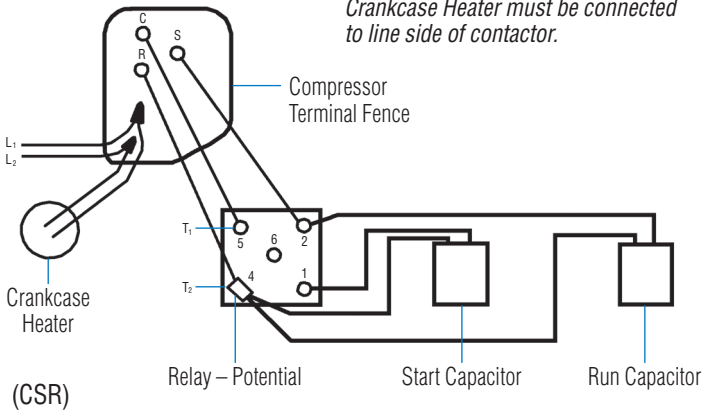


*Representative photo only
Many variations possible*

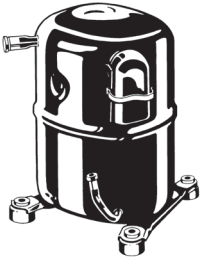
*Crankcase Heater must be connected
to line side of contactor.*



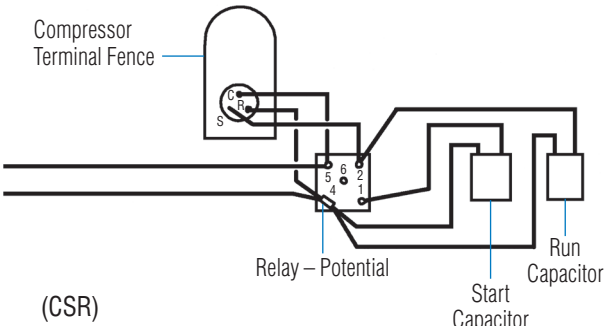
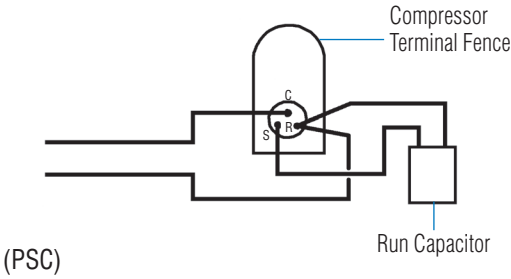
*Crankcase Heater must be connected
to line side of contactor.*



AW Series Compressor



*Representative photo only
Many variations possible*

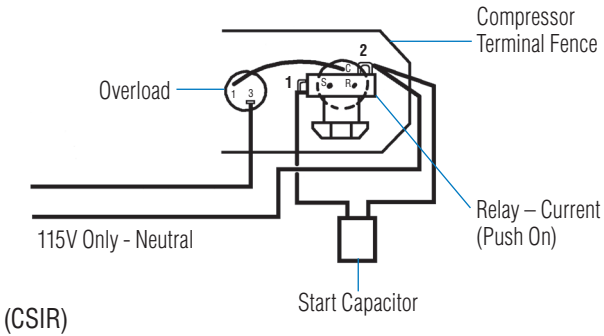
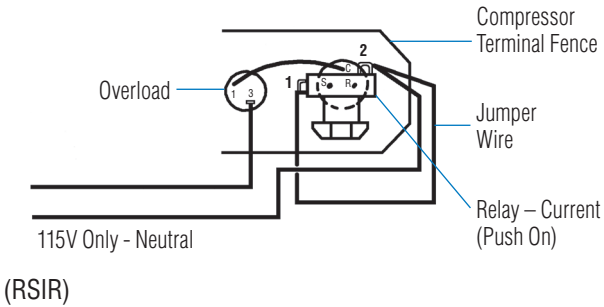


NOTE: Wire to relay as shown regardless of terminal location.

AZ/TH Series Compressor



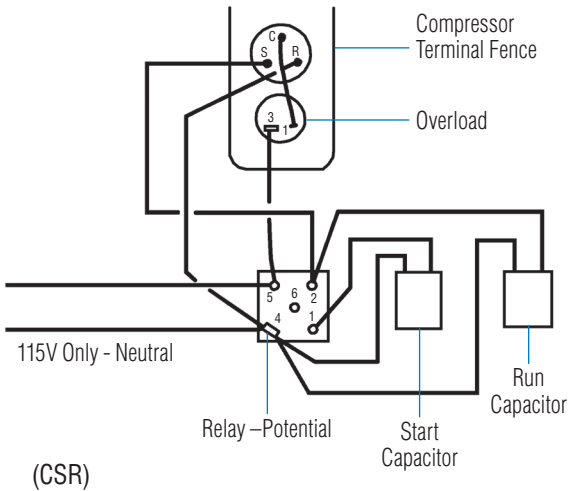
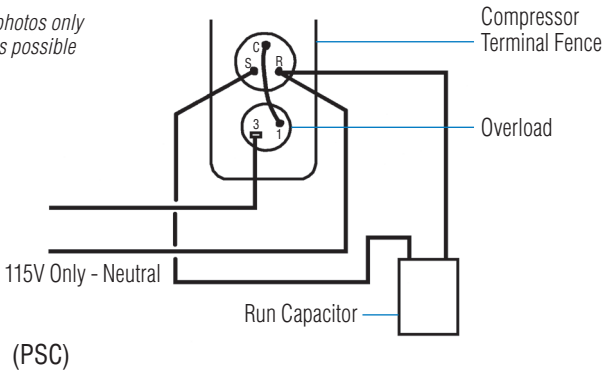
*Representative photo only
Many variations possible*



RG and RK Series Rotary Compressor

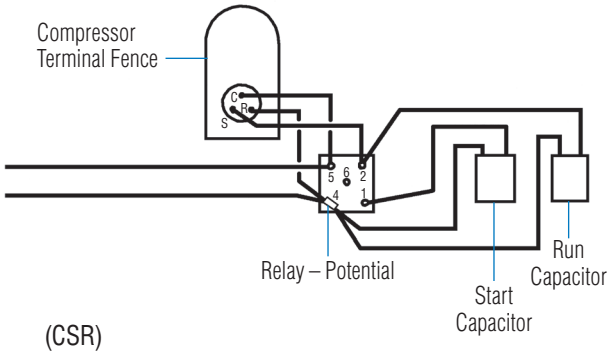
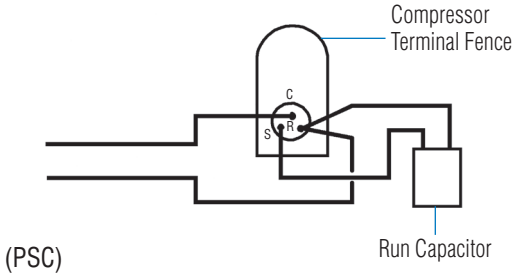


Representative photos only
Many variations possible



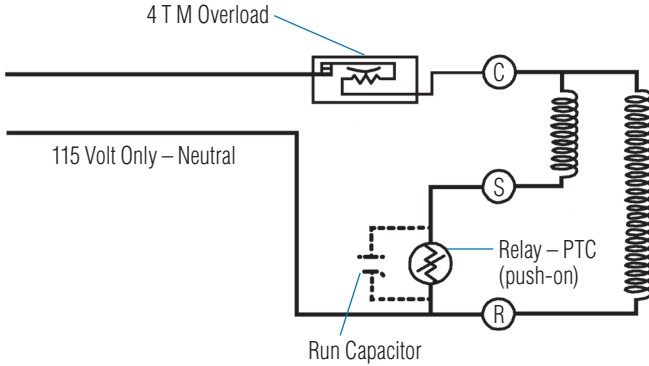
NOTE: Wire to relay as shown regardless of terminal location.

SF Series Compressors



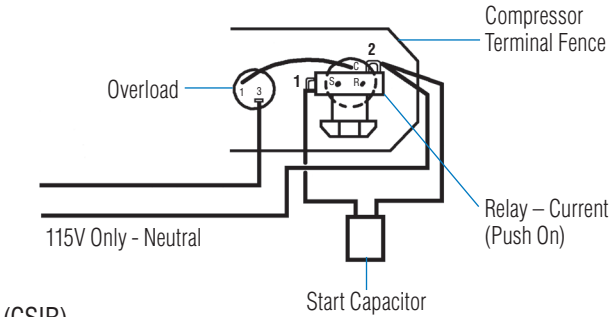
NOTE: Wire to relay as shown regardless of terminal location.

TP Series Compressor (LBP Models)



(PTCS-CR)

TP Series Compressor (CBP Models)



(CSIR)

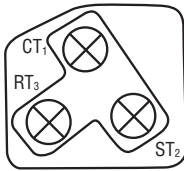
VS Series Compressor



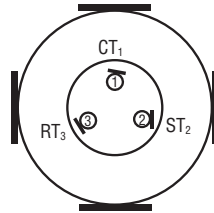
*Representative photo only
Many variations possible*

TERMINAL PIN ORIENTATION

Ring Connect Screw Terminal

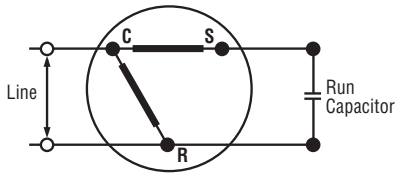


Quick Connect Spade Terminal

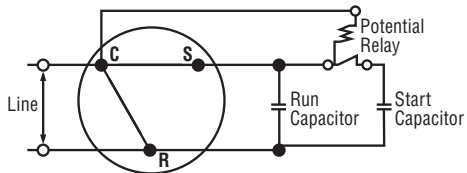


WIRING DIAGRAMS

PSC



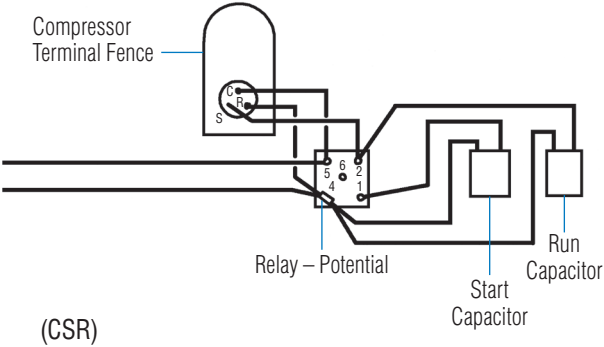
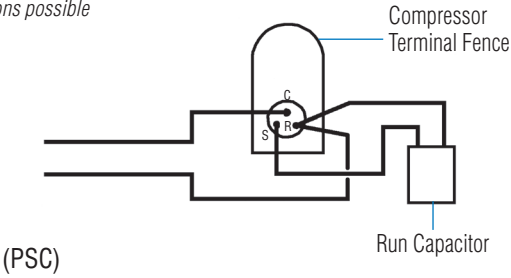
CSR



AB Series Compressor

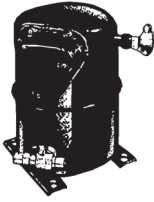


*Representative photo only
Many variations possible*

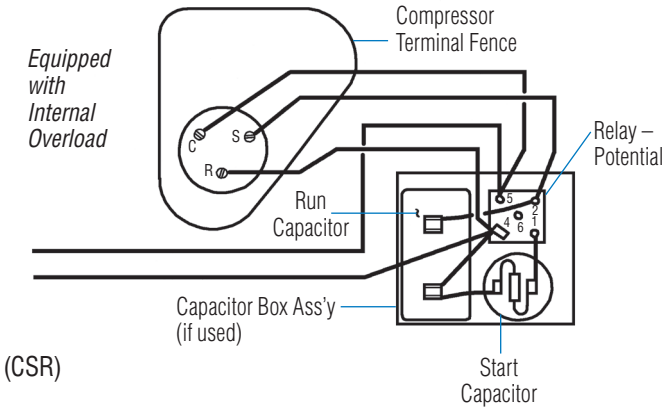
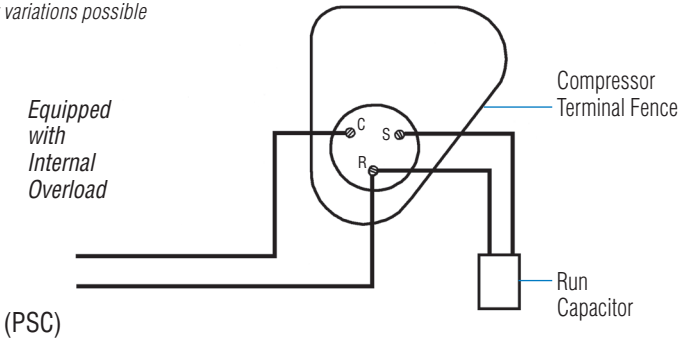


NOTE: Wire to relay as shown regardless of terminal location.

CL Series Compressor

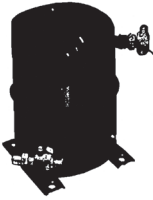


*Representative photo only
Many variations possible*

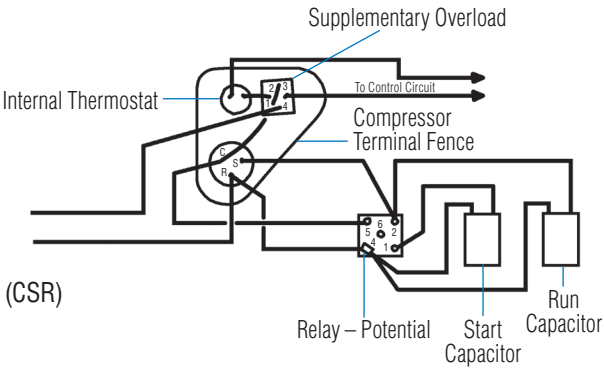
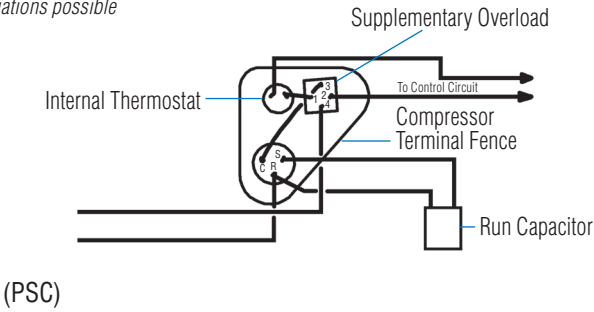


NOTE: Wire to relay as shown regardless of terminal location.

CL Series Compressor



*Representative photo only
Many variations possible*

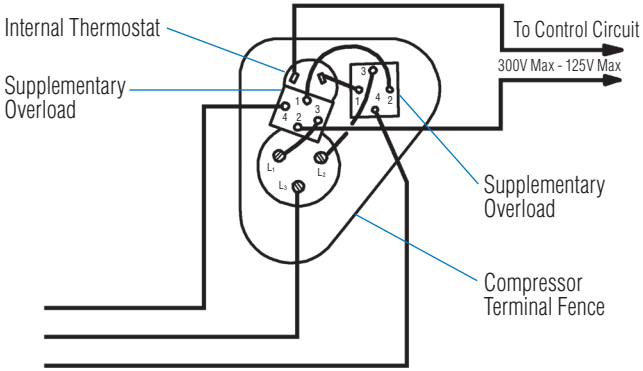


NOTE: Wire to relay as shown regardless of terminal location.

CL Series Compressor



*Representative photo only
Many variations possible*



(3 Phase)

Trouble Shooting and Service Chart

Complaint	Possible Cause	Repair
A Compressor will not start - no hum	<ol style="list-style-type: none"> 1. Line disconnect open. 2. Fuse removed or blown. 3. Overload protector tripped. 4. Control stuck in open position. 5. Control off due to cold location. 6. Wiring improper or loose. 	<ol style="list-style-type: none"> 1. Close start or disconnect switch. 2. Replace fuse. 3. Refer to electrical section. 4. Repair or replace control. 5. Relocate control. 6. Check wiring against diagram.
B Compressor will not start - hums but trips on overload protector	<ol style="list-style-type: none"> 1. Improperly wired. 2. Low voltage to unit. 3. Starting capacitor defective. 4. Relay failing to close. 5. Compressor motor has a winding open or shorted. 6. Internal mechanical trouble in compressor. 7. Liquid refrigerant in compressor. 	<ol style="list-style-type: none"> 1. Check wiring against diagram. 2. Determine reason and correct. 3. Determine reason and replace. 4. Determine reason and correct, replace if necessary. 5. Replace compressor. 6. Replace compressor. 7. Replace compressor.
C Compressor starts, but does not switch off of start winding	<ol style="list-style-type: none"> 1. Improperly wired. 2. Low voltage to unit. 3. Relay failing to open. 4. Run capacitor defective. 5. Excessively high discharge pressure. 6. Compressor motor has a winding open or shorted. 7. Internal mechanical trouble in compressor (tight). 	<ol style="list-style-type: none"> 1. Check wiring against diagram. 2. Determine reason and correct. 3. Determine reason and correct, replace if necessary. 4. Determine reason and replace. 5. Check discharge shut-off valve, possible overcharge, or insufficient cooling on condenser. 6. Replace compressor. 7. Replace compressor.
D Compressor starts and runs, but short cycles on overload protector	<ol style="list-style-type: none"> 1. Additional current passing through overload protector. 2. Low voltage to unit (or unbalanced if three phase). 3. Overload protector defective. 4. Run capacitor defective. 5. Excessive discharge pressure. 6. Suction pressure too high. 7. Compressor too hot - return gas hot. 8. Compressor motor has a winding shorted. 	<ol style="list-style-type: none"> 1. Check wiring diagram. Check for added fan motors, pumps, etc., connected to wrong side of protector. 2. Determine reason and correct. 3. Check current, replace protector. 4. Determine reason and replace. 5. Check ventilation, restrictions in cooling medium, restrictions in refrigeration system. 6. Check for possibility of mis-application. Use stronger unit. 7. Check refrigerant charge (fix leak), add if necessary. 8. Replace compressor.

Trouble Shooting and Service Chart

Complaint	Possible Cause	Repair
E Unit runs OK, but short cycles on	<ol style="list-style-type: none"> 1. Overload protector. 2. Thermostat. 3. High pressure cut-out due to: <ol style="list-style-type: none"> a - Insufficient air/water supply b - Overcharge c - Air in system 4. Low pressure cut-out due to: <ol style="list-style-type: none"> a - Liquid line solenoid leaking b - Compressor valve leak c - Undercharge d - Restriction in expansion device 	<ol style="list-style-type: none"> 1. See D on previous page. 2. Differential set too close-widen. 3. <ol style="list-style-type: none"> a - Check air/water supply to condenser - correct. b - Reduce refrigerant charge c - Purge 4. <ol style="list-style-type: none"> a - Replace b - Replace c - Fix leak, add refrigerant d - Replace device
F Unit operates long or continuously	<ol style="list-style-type: none"> 1. Shortage of refrigerant. 2. Control contacts stuck or frozen closed. 3. Refrigerated or air conditioned space has excessive load or poor insulation. 4. System inadequate to handle load. 5. Evaporator coil iced. 6. Restriction(s) in refrigeration system. 7. Dirty condenser. 8. Filter dirty. 	<ol style="list-style-type: none"> 1. Fix leak, add charge. 2. Clean contacts or replace control. 3. Determine fault and correct. 4. Replace with larger system. 5. Defrost. 6. Determine location and remove. 7. Clean condenser. 8. Clean or replace.
G Start capacitor open, shorted, or blown	<ol style="list-style-type: none"> 1. Relay contacts not operating properly. 2. Prolonged operation on start cycle due to: <ol style="list-style-type: none"> a - Low voltage to unit b - Improper relay c - Starting load too high 3. Excessive short cycling. 4. Improper capacitor. 	<ol style="list-style-type: none"> 1. Clean contacts or replace relay if necessary. 2. <ol style="list-style-type: none"> a - Determine reason and correct b - Replace c - Correct by using pump down arrangement if necessary 3. Determine reason for short-cycle (E above) and correct. 4. Determine reason and correct.
H Run capacitor open, shorted, or blown	<ol style="list-style-type: none"> 1. Improper capacitor. 2. Excessively high line voltage (110% of rated-max). 	<ol style="list-style-type: none"> 1. Determine correct size and replace. 2. Determine reason and correct.

Trouble Shooting and Service Chart

Complaint	Possible Cause	Repair
I Relay defective or burned out	<ol style="list-style-type: none">1. Incorrect relay.2. Incorrect mounting angle.3. Line voltage too high or too low.4. Excessive short cycling.5. Relay being influenced by loose mounting.6. Incorrect run capacitor.	<ol style="list-style-type: none">1. Check and replace.2. Remount relay in correct position.3. Determine reason and correct.4. Determine reason (See E on previous page) and correct.5. Remount rigidly.6. Replace with proper capacitor.
J Conditioned space temperature too high	<ol style="list-style-type: none">1. Control setting too high.2. Expansion valve too small.3. Cooling coils too small.4. Inadequate air circulation.	<ol style="list-style-type: none">1. Reset control.2. Use larger valve.3. Add surface area or replace.4. Improve air movement.
K Suction line frosted or sweating	<ol style="list-style-type: none">1. Expansion valve passing excess refrigerant or is oversized.2. Expansion valve stuck open.3. Evaporator fan not running.4. Overcharge of refrigerant.	<ol style="list-style-type: none">1. Adjust valve or replace with smaller valve.2. Clean valve or foreign particles, replace if necessary.3. Determine reason and correct.4. Correct charge.
L Liquid line frosted or sweating	<ol style="list-style-type: none">1. Restriction in filter-drier or strainer.2. Liquid shut-off (king-valve) partially closed.	<ol style="list-style-type: none">1. Replace part.2. Open valve fully.
M Unit noisy	<ol style="list-style-type: none">1. Loose parts or mounting.2. Tubing rattle.3. Bent fan blade causing vibration.4. Fan motor bearings worn.	<ol style="list-style-type: none">1. Find and tighten.2. Reform to be free of contact.3. Replace blade.4. Replace motor.



Tecumseh

Tecumseh Products Company LLC
5683 Hines Drive
Ann Arbor, MI 48108
800.211.3427 | 734.585.9500
www.tecumseh.com