



# RACA13

Parts List  
06-November-2014



*This parts list is current as of the above revision date.  
See <http://www.rheempartslists.net/92-42800-RACA13.pdf> for the current revision.*

Package Air Conditioners

# Table of Contents

Model Explanation .....	Page 3
<b>Parts Numbers</b>	
Panels - Miscellaneous 024-036 .....	Page 4
Panels - Miscellaneous 042-060 .....	Page 5
Electrical Group (1) .....	Page 6
Electrical Group (2) .....	Page 7
Fan Group .....	Page 8
Blower Group .....	Page 9
Coil Parts (1) .....	Page 10
Coil Parts (2) .....	Page 11
Compressor Group .....	Page 12
Heater Kits .....	Page 13
Accessories .....	Page 13
<b>Drawings/Photographs</b>	
Exploded View .....	Page 14
Control Access Panel, Evap Coil .....	Page 15
Evaporator Coil .....	Page 15
Electrical Control Box (1) .....	Page 16
Electrical Control Box (2) .....	Page 17
Bushings - Bulkhead Wiring .....	Page 18
Blower Assembly .....	Page 19
Coil Frames, Drainpan .....	Page 20
Condenser Coil 2 Ton .....	Page 21
Condenser Coil 2.5 - 3 Ton .....	Page 22
Condenser Coil 3.5 - 4 - 5 Ton .....	Page 23
Compressor and Refrigeration Components .....	Page 24
Limit Control - Blower Shelf .....	Page 25
Evaporator Coil Gaskets .....	Page 26
Heater Mounting - Panels .....	Page 27
Notes/Disclaimer .....	Page 28

**MODEL NUMBER EXPLANATION**

R	A	C	A	1	3	0	3	6	A	J	D	05	1	A	A	-
(1)	(2)	(3)	(4)	(5)				(6)	(7)	(8)	(9)	(10)	(11)	(12)	(13)	

**(1) TRADENAME IDENTIFICATION**

**(2) PRODUCT CLASSIFICATION**

AC = Package Gas Electric

**(3) CABINET TYPE**

A = Residential Package

**(4) SERIES**

13 = 13 SEER

**(5) COOLING CAPACITY (Ton)**

024 = 2 ton            042 = 3.5 ton  
 030 = 2.5 ton        048 = 4 ton  
 036 = 3 ton            060 = 5 ton

**(6) MAJOR SERIES**

**(7) ELECTRICAL DESIGNATION**

J = 208/230V - 1 PH - 60 HZ  
 C = 208/230V - 3 PH - 60 HZ  
 D = 460V - 3 PH - 60 HZ  
 Y = 575 - 3 PH - 60 HZ  
 S = 200V - 1 PH - 50 HZ  
 T = 220/240V - 1 PH - 50 HZ  
 P = 200/220V - 3 PH - 50 HZ  
 N = 380/415V - 3 PH - 50 HZ  
 V = 380V - 3 PH - 60 HZ

**(8) DRIVE PACKAGE**

A = Belt - Low Static  
 B = Belt - Medium Static  
 C = Belt - High Static  
 D = Direct Drive (PSC)  
 E = Direct Drive VFD  
 F = Belt VFD - Low Static  
 G = Belt VFD - Medium Static  
 H = Belt VFD - High Static  
 T = Constant Torque  
 V = Variable Speed

**(9) HEATING CAPACITY**

00 = no heat  
 05 = 05 kW  
 10 = 10 kW  
 15 = 15 kW

**(10) HEAT CONFIGURATION**

1 = Single Stage  
 2 = Two Stage  
 0 = No Heat

**(11) CONTROL**

A = Non-Communicating  
 C = Clear Control

**(12) MINOR SERIES**

A = 1st Design

**(13) Option Code**

**SERIAL NUMBER EXPLANATION**

F	0	8	1	3	9	9	9	9
(1)	(2)	(3)	(4)					

**(1) PLANT CODE**

**(2) WEEK (DATE CODE)**

**(3) YEAR**

**(4) PRODUCTION NUMBER**

**Note: For Compressor Identification Number, see Compressor Code on Rating Plate**

No.	Notes	MODEL COOLING CAPACITY MAJOR SERIES	RACA13 024 A	RACA13 030 A	RACA13 036 A
<b>SHEET METAL PARTS, MISCELLANEOUS</b>					
1		Front Base Pan	AS-58628-07H	AS-58628-07H	AS-58628-07H
2		Base Rail (2)	AE-58562-03	AE-58562-03	AE-58562-03
3		Base Rail (2)	AE-58562-04	AE-58562-04	AE-58562-04
4		Back Base Pan	AS-58607-64	AS-58607-64	AS-58607-64
5		Blower Shelf	AS-58630-01	AS-58630-01	AS-58630-01
6		Blower Shelf Transition	AS-58607-19	AS-58607-19	AS-58607-19
7		Divider Panel	AS-58607-03	AS-58607-03	AS-58607-03
8		Bulkhead Assembly	AS-58607-68	AS-58607-62	AS-58607-62
9		Heater Mounting Panel	AS-58607-16	AS-58607-16	AS-58607-16
10		Extension - Heater Mounting Panel	N/A	N/A	N/A
11		Corner Post	AS-58607-39H	AS-58607-39H	AS-58607-39H
12		Blower Access Panel	AS-58607-09H	AS-58607-09H	AS-58607-09H
13		End Panel	AS-58607-04H	AS-58607-04H	AS-58607-04H
14		Supply Cover - Downflow	AS-58607-06H	AS-58607-06H	AS-58607-06H
14		Supply Cover - Side Option	AS-58607-35H	AS-58607-35H	AS-58607-35H
15		Return Cover - Downflow	AS-58607-05H	AS-58607-05H	AS-58607-05H
15		Return Cover - Side Option	AS-58607-34H	AS-58607-34H	AS-58607-34H
16		Top Panel	AS-58607-67H	AS-58607-67H	AS-58607-67H
17		Grille	95-100906-08	95-100906-08	95-100906-08
18		Filter Access Panel	AS-58607-08H	AS-58607-08H	AS-58607-08H
19		Condenser Louver Panel	AS-58607-61H	AS-58607-61H	AS-58607-61H
20		Center Post	AS-58569-06H	AS-58569-06H	AS-58569-06H
21		Control Access Panel	AS-58568-02H	AS-58568-02H	AS-58568-02H
22		Control Box (w/o components)	AE-58597-01	AE-58597-01	AE-58597-01
23		Control Box Cover	AE-58598-01	AE-58598-01	AE-58598-01
24		Blank-Off Plate (models without heat only)	AS-58607-17	AS-58607-17	AS-58607-17
25		Heater Kit	See Accessories		
27		Bulkhead Valve (2)	61-22369-04	61-22369-04	61-22369-04
28		Bulkhead Valve Locknut (2)	63-22368-01	63-22368-01	63-22368-01
		Bulkhead Valve Cap (2)	83-100635-01	83-100635-01	83-100635-01
A		Star Bushing	45-18515-01	45-18515-01	45-18515-01
B		Nylon Snap Bushing	45-17057-02	45-17057-02	45-17057-02
C		Strain Relief Bushing	45-17055-11	45-17055-11	45-17055-11
D		Neoprene Gasket - 1/8 x 1/2	68-22079-04	68-22079-04	68-22079-04
E		Neoprene Gasket - 1/4 x 1/2	68-22079-06	68-22079-06	68-22079-06
F		Gasket 3/8 x 3/4	68-20243-02	68-20243-02	68-20243-02
G		Gasket 1/2 x 3/4	68-20243-01	68-20243-01	68-20243-01

No.	Notes	MODEL COOLING CAPACITY MAJOR SERIES	RACA13 042 A	RACA13 048 A	RACA13 060 A
<b>SHEET METAL PARTS, MISCELLANEOUS</b>					
1		Front Base Pan	AS-58628-07H	AS-58628-07H	AS-58628-07H
2		Base Rail (2)	AE-58562-03	AE-58562-03	AE-58562-03
3		Base Rail (2)	AE-58562-04	AE-58562-04	AE-58562-04
4		Back Base Pan	AS-58607-64	AS-58607-64	AS-58607-64
5		Blower Shelf	AS-58630-01	AS-58630-01	AS-58630-01
6		Blower Shelf Transition	AS-58607-19	AS-58607-19	AS-58607-19
7		Divider Panel	AS-58607-03	AS-58607-03	AS-58607-03
8		Bulkhead Assembly	AS-58607-55	AS-58607-57	AS-58607-57
9		Heater Mounting Panel	AS-58607-16	AS-58607-16	AS-58607-16
10		Extension - Heater Mounting Panel	N/A	AS-58607-42	AS-58607-42
11		Corner Post	AS-58607-39H	AS-58607-53H	AS-58607-46H
12		Blower Access Panel	AS-58607-09H	AS-58607-47H	AS-58607-47H
13		End Panel	AS-58607-04H	AS-58607-48H	AS-58607-48H
14		Supply Cover - Downflow	AS-58607-06H	AS-58607-06H	AS-58607-06H
14		Supply Cover - Side Option	AS-58607-35H	AS-58607-35H	AS-58607-35H
15		Return Cover - Downflow	AS-58607-05H	AS-58607-05H	AS-58607-05H
15		Return Cover - Side Option	AS-58607-34H	AS-58607-34H	AS-58607-34H
16		Top Panel	AS-58607-67H	AS-58607-67H	AS-58607-67H
17		Grille	95-100906-08	95-100906-08	95-100906-08
18		Filter Access Panel	AS-58607-08H	AS-58607-49H	AS-58607-49H
19		Condenser Louver Panel	AS-58607-61H	AS-58607-56H	AS-58607-56H
20		Center Post	AS-58569-06H	AS-58569-08H	AS-58569-08H
21		Control Access Panel	AS-58568-02H	AS-58568-04H	AS-58568-04H
22		Control Box (w/o components)	AE-58597-01	AE-58597-01	AE-58597-01
23		Control Box Cover	AE-58598-01	AE-58598-01	AE-58598-01
24		Blank-Off Plate (models without heat only)	AS-58607-17	AS-58607-17	AS-58607-17
25		Heater Kit	See Accessories		
27		Bulkhead Valve (2)	61-22369-04	61-22369-04	61-22369-04
28		Bulkhead Valve Locknut (2)	63-22368-01	63-22368-01	63-22368-01
		Bulkhead Valve Cap (2)	83-100635-01	83-100635-01	83-100635-01
A		Star Bushing	45-18515-01	45-18515-01	45-18515-01
B		Nylon Snap Bushing	45-17057-02	45-17057-02	45-17057-02
C		Strain Relief Bushing	45-17055-11	45-17055-11	45-17055-11
D		Neoprene Gasket - 1/8 x 1/2	68-22079-04	68-22079-04	68-22079-04
E		Neoprene Gasket - 1/4 x 1/2	68-22079-06	68-22079-06	68-22079-06
F		Gasket 3/8 x 3/4	68-20243-02	68-20243-02	68-20243-02
G		Gasket 1/2 x 3/4	68-20243-01	68-20243-01	N/A

No.	Notes	MODEL COOLING CAPACITY MAJOR SERIES ELECTRICAL DESIGNATION	RACA13	RACA13	RACA13	RACA13	RACA13	
			024 A J	030 A J	036 A J	042 A J	048 A J	
<b>ELECTRICAL GROUP</b>								
31		Terminal Strip	45-23591-01	45-23591-01	45-23591-01	45-23591-01	45-23591-01	
33	Stk	Contactora	42-102664-06	42-102664-06	42-102664-06	42-102664-06	42-102664-06	
34	Stk	Sequencing Relay	42-21593-05	42-21593-05	42-21593-05	N/A	N/A	
35	Stk	Transformer	46-18788-05	46-18788-05	46-18788-05	46-18788-05	46-18788-05	
36		Ground Lug	45-19000-01	45-19000-01	45-19000-01	45-19000-01	45-19000-01	
54a		Capacitor - Blower Motor	See Blower Group					
57	Stk	Blower Relay	42-101208-01	42-101208-01	42-101208-01	42-21571-08	42-21571-08	
73		Capacitor - Compressor/Fan	See Compressor Group					
84		Limit Control - Blower Shelf	47-25334-01	47-25334-01	47-25334-01	47-25334-01	47-25334-01	
85		Star Bushing	45-18515-01	45-18515-01	45-18515-01	45-18515-01	45-18515-01	
		Start Relay	See Compressor Group					
		Start Capacitor	See Compressor Group					
		Compressor Wiring Harness (Molded Plug)	See Compressor Group					
88		Wiring Harness - 6 pin to heater kit	45-104222-01	45-104222-01	45-104222-01	45-104222-01	45-104222-01	
		Leadwire - from Flame Sensor to 9 pin Wiring Harness Plug	45-25323-02	45-25323-02	45-25323-02	45-25323-02	45-25323-02	
		Capacitor Adaptor Plate (2 in. round capacitor)	AE-54609-01	AE-54609-01	AE-54609-01	AE-54609-01	AE-54609-01	
		Capacitor Adaptor Plate (2 in. X 1-1/4 in. oval capacitor)	AE-54609-02	AE-54609-02	AE-54609-02	AE-54609-02	AE-54609-02	

No.	Notes	MODEL COOLING CAPACITY MAJOR SERIES ELECTRICAL DESIGNATION	RACA13	RACA13	RACA13			
			036 A C	042 A C	048 A C			
<b>ELECTRICAL GROUP</b>								
31		Terminal Strip	45-23591-01	45-23591-01	45-23591-01			
33	Stk	Contactora	42-102664-08	42-102664-08	42-102664-08			
34	Stk	Sequencing Relay	42-21593-05	N/A	N/A			
35	Stk	Transformer	46-18788-05	46-18788-05	46-18788-05			
36		Ground Lug	45-19000-01	45-19000-01	45-19000-01			
54a		Capacitor - Blower Motor	See Blower Group					
57	Stk	Blower Relay	42-101208-01	42-21571-08	42-21571-08			
73		Capacitor - Compressor/Fan	See Compressor Group					
84		Limit Control - Blower Shelf	47-25334-01	47-25334-01	47-25334-01			
85		Star Bushing	45-18515-01	45-18515-01	45-18515-01			
		Start Relay	See Compressor Group					
		Start Capacitor	See Compressor Group					
		Compressor Wiring Harness (Molded Plug)	See Compressor Group					
88		Wiring Harness - 6 pin to heater kit	45-104222-01	45-104222-01	45-104222-01			
		Leadwire - from Flame Sensor to 9 pin Wiring Harness Plug	45-25323-02	45-25323-02	45-25323-02			
		Capacitor Adaptor Plate (2 in. round capacitor)	AE-54609-01	AE-54609-01	AE-54609-01			
		Capacitor Adaptor Plate (2 in. X 1-1/4 in. oval capacitor)	AE-54609-02	AE-54609-02	AE-54609-02			

No.	Notes	MODEL COOLING CAPACITY MAJOR SERIES ELECTRICAL DESIGNATION	RACA13	RACA13
			060 A C	060 A J
<b>ELECTRICAL GROUP</b>				
31		Terminal Strip	45-23591-01	45-23591-01
33	Stk	Contactors	42-102664-08	42-102664-06
34	Stk	Sequencing Relay	N/A	N/A
35	Stk	Transformer	46-18788-05	46-18788-05
36		Ground Lug	45-19000-01	45-19000-01
54a		Capacitor - Blower Motor	See Bower Group	
57	Stk	Blower Relay	42-21571-08	42-21571-08
73		Capacitor - Compressor/Fan	See Compressor Group	
84		Limit Control - Blower Shelf	47-25334-01	47-25334-01
85		Star Bushing	45-18515-01	45-18515-01
		Start Relay	See Compressor Group	
		Start Capacitor	See Compressor Group	
		Compressor Wiring Harness (Molded Plug)	See Compressor Group	
88		Wiring Harness - 6 pin to heater kit	45-104222-01	45-104222-01
		Leadwire - from Flame Sensor to 9 pin Wiring Harness Plug	45-25323-02	45-25323-02
		Capacitor Adaptor Plate (2 in. round capacitor)	AE-54609-01	AE-54609-01
		Capacitor Adaptor Plate (2 in. X 1-1/4 in. oval capacitor)	AE-54609-02	AE-54609-02

No.	Notes	MODEL	RACA13	RACA13	RACA13	RACA13	RACA13	RACA13	
		COOLING CAPACITY	024	030	036	042	048	060	
		MAJOR SERIES	A	A	A	A	A	A	
		ELECTRICAL DESIGNATION	J	J	J	J	J	J	
<b>FAN GROUP</b>									
37	Stk	Fan Motor	51-100999-24	51-100999-24	51-100999-24	51-100999-24	51-100998-29	51-100998-29	
38	Stk	Fan Blade	70-101323-19	70-101323-19	70-101323-19	70-101323-19	70-23594-02	70-23594-03	
73		Capacitor - Compressor/Fan Motor	See Compressor Group						

No.	Notes	MODEL	RACA13	RACA13	RACA13	RACA13		
		COOLING CAPACITY	036	042	048	060		
		MAJOR SERIES	A	A	A	A		
		ELECTRICAL DESIGNATION	C	C	C	C		
<b>FAN GROUP</b>								
37	Stk	Fan Motor	51-100999-24	51-100999-24	51-100998-29	51-100998-29		
38	Stk	Fan Blade	70-101323-19	70-101323-19	70-23594-02	70-23594-03		
73	Stk	Capacitor - Fan Motor	43-100496-04	43-100496-04	43-100496-12	43-100496-12		



No.	Notes	MODEL COOLING CAPACITY MAJOR SERIES ELECTRICAL DESIGNATION DRIVE PACKAGE	RACA13	RACA13	RACA13	RACA13	RACA13	
			024 A J D	030 A J D	036 A J D	042 A J T	048 A J T	
<b>BLOWER GROUP</b>								
	Stk	Blower Assembly (Includes items 51-56)	AS-58662-01	AS-58662-05	AS-58662-55	AS-58662-70	AS-58662-71	
51		Housing	AS-58619-01	AS-58619-02	N/A	N/A	N/A	
51		Housing w/Wheel	N/A	N/A	70-100840-02	70-100840-02	70-100840-02	
51a		Transition	N/A	N/A	AE-102207-05	AE-102207-05	AE-102207-05	
51b		Transition - Back	N/A	N/A	AE-102207-06	AE-102207-06	AE-102207-06	
52	Stk	Blower Wheel	70-20218-01	70-18625-03	703016	703016	703016	
53		Cut-Off	AE-64401-10	AE-64401-06	N/A	N/A	N/A	
54	Stk	Blower Motor	51-23608-02	51-23609-04	51-100837-04	51-101920-28	51-101920-29	
54a		Capacitor - Blower Motor	43-100496-04	43-100496-12	43-100496-42	N/A	N/A	
		Motor Mounting Bracket Assembly (includes 55, 56)	AS-53148-03	AS-53148-03	N/A	N/A	N/A	
55		Motor Band	70-19927-01	70-19927-01	70-19927-03	70-19927-03	70-19927-03	
56		Motor Arm Assembly (3)	70-19929-02	70-19929-02	70-19929-09	70-19929-09	70-19929-09	
56a		Hex Washer Screw (3)	63-20072-05	63-20072-05	63-20072-05	63-20072-05	63-20072-05	
57		Blower Relay	See Electrical Group					

No.	Notes	MODEL COOLING CAPACITY MAJOR SERIES ELECTRICAL DESIGNATION DRIVE PACKAGE	RACA13	RACA13	RACA13			
			036 A C D	042 A C T	048 A C T			
<b>BLOWER GROUP</b>								
	Stk	Blower Assembly (Includes items 51-56)	AS-58662-55	AS-58662-70	AS-58662-71			
51		Housing w/Wheel	70-100840-02	70-100840-02	70-100840-02			
51a		Transition	AE-102207-05	AE-102207-05	AE-102207-05			
51b		Transition - Back	AE-102207-06	AE-102207-06	AE-102207-06			
52	Stk	Blower Wheel	703016	703016	703016			
53		Cut-Off	N/A	N/A	N/A			
54	Stk	Blower Motor	51-100837-04	51-101920-28	51-101920-29			
54a		Capacitor - Blower Motor	43-100496-42	N/A	N/A			
55		Motor Band	70-19927-03	70-19927-03	70-19927-03			
56		Motor Arm Assembly	70-19929-09	70-19929-09	70-19929-09			
56a		Hex Washer Screw (3)	63-20072-05	63-20072-05	63-20072-05			
57		Blower Relay	See Electrical Group					

No.	Notes	MODEL COOLING CAPACITY MAJOR SERIES ELECTRICAL DESIGNATION DRIVE PACKAGE	RACA13	RACA13				
			060 A C T	060 A J T				
<b>BLOWER GROUP</b>								
	Stk	Blower Assembly (Includes items 51-56)	AS-58662-77	AS-58662-77				
51		Housing w/Wheel	70-100840-03	70-100840-03				
51a		Transition	AE-102207-13	AE-102207-13				
51b		Transition - Back	AE-102207-14	AE-102207-14				
52	Stk	Blower Wheel	PD706266	PD706266				
53		Cut-Off	N/A	N/A				
54	Stk	Blower Motor	51-101984-16	51-101984-16				
54a		Capacitor - Blower Motor	N/A	N/A				
55		Motor Band	70-19927-03	70-19927-03				
56		Motor Arm Assembly	70-19929-09	70-19929-09				
56a		Hex Washer Screw (3)	63-20072-05	63-20072-05				
57		Blower Relay	See Electrical Group					

No.	Notes	MODEL COOLING CAPACITY MAJOR SERIES ELECTRICAL DESIGNATION	RACA13	RACA13	RACA13	RACA13
			024 A J	030 A J	036 A C	036 A J
<b>COIL GROUP</b>						
<b>CONDENSER COIL:</b>						
61	Stk	Condenser Coil (Coil Only)	AS-104395-01	AS-104395-02	AS-104395-05	AS-104395-05
61b		Pad - Bottom Coil	68-104248-03 (4)	68-104248-03 (4)	68-104248-03 (4)	68-104248-03 (4)
61c		Coil Filler Plate (2)	AS-104545-01H	AS-104545-01H	AS-104545-01H	AS-104545-01H
61d		Coil Mount	AE-101781-03	AE-101781-01	AE-101781-01	AE-101781-01
		Access Valve Body (2)	61-18542-01	61-18542-01	61-18542-01	61-18542-01
		Access Valve Core (4)	61-18551-01	61-18551-01	61-18551-01	61-18551-01
		Bulkhead Valve (2)	61-22369-04	61-22369-04	61-22369-04	61-22369-04
78	Stk	Filter Drier - Liquid Line	83-22755-05	83-22755-05	83-22755-05	83-22755-05
<b>EVAPORATOR COIL:</b>						
62	Stk	Evaporator Coil (Coil Only)	65-104387-01	65-104387-01	65-104387-01	65-104387-01
63		Drain Pan Grommet	56-23601-01	56-23601-01	56-23601-01	56-23601-01
64	Stk	Drain Pan	68-23602-03	68-23602-03	68-23602-03	68-23602-03
64a		Water Block-Off	68-104901-01	68-104901-01	68-104901-01	68-104901-01
64b		Drain Trap (Attached to Drain Pan)	68-23603-01	68-23603-01	68-23603-01	68-23603-01
		Auxiliary Drain Pipe	82-58611-02	82-58611-02	82-58611-02	82-58611-02
	Stk	TXV	61-102211-35	61-102211-36	61-102211-37	61-102211-37
67a		Frame - Coil Back Air Stop	AE-104569-01	AE-104569-01	AE-104569-01	AE-104569-01
67b		Frame - Coil Top Air Stop	AE-104571-01	AE-104571-01	AE-104571-01	AE-104571-01
68a		Frame - Coil Front Air Stop	AS-104570-01H	AS-104570-01H	AS-104570-01H	AS-104570-01H
68b		Frame - Coil Front Support	AE-104572-01	AE-104572-01	AE-104572-01	AE-104572-01

No.	Notes	MODEL COOLING CAPACITY MAJOR SERIES ELECTRICAL DESIGNATION	RACA13	RACA13	RACA13	RACA13
			042 A C	042 A J	048 A C	048 A J
<b>COIL GROUP</b>						
<b>CONDENSER COIL:</b>						
61	Stk	Condenser Coil (Coil Only)	AS-104395-06	AS-104395-06	AS-104395-07	AS-104395-07
61b		Pad - Bottom Coil	68-104248-03 (5)	68-104248-03 (5)	68-104248-03 (5)	68-104248-03 (5)
61c		Coil Filler Plate (2)	AS-104545-01H	AS-104545-01H	AS-104545-02H	AS-104545-02H
61d		Coil Mount	N/A	N/A	N/A	N/A
		Access Valve Body (2)	61-18542-01	61-18542-01	61-18542-01	61-18542-01
		Access Valve Core (4)	61-18551-01	61-18551-01	61-18551-01	61-18551-01
		Bulkhead Valve (2)	61-22369-04	61-22369-04	61-22369-04	61-22369-04
78	Stk	Filter Drier - Liquid Line	83-22755-05	83-22755-05	83-22755-05	83-22755-05
<b>EVAPORATOR COIL:</b>						
62	Stk	Evaporator Coil (Coil Only)	65-104387-01	65-104387-01	65-104387-02	65-104387-02
63		Drain Pan Grommet	56-23601-01	56-23601-01	56-23601-01	56-23601-01
64	Stk	Drain Pan	68-23602-03	68-23602-03	68-23602-03	68-23602-03
64a		Water Block-Off	68-104901-01	68-104901-01	68-104901-01	68-104901-01
64b		Drain Trap (Attached to Drain Pan)	68-23603-01	68-23603-01	68-23603-01	68-23603-01
		Auxiliary Drain Pipe	82-58611-02	82-58611-02	82-58611-02	82-58611-02
	Stk	TXV	61-102211-37	61-102211-37	61-102211-41	61-102211-41
67a		Frame - Coil Back Air Stop	AE-104569-01	AE-104569-01	AE-104569-02	AE-104569-02
67b		Frame - Coil Top Air Stop	AE-104571-01	AE-104571-01	AE-104571-02	AE-104571-02
68a		Frame - Coil Front Air Stop	AS-104570-01H	AS-104570-01H	AS-104570-02H	AS-104570-02H
68b		Frame - Coil Front Support	AE-104572-01	AE-104572-01	AE-104572-02	AE-104572-02

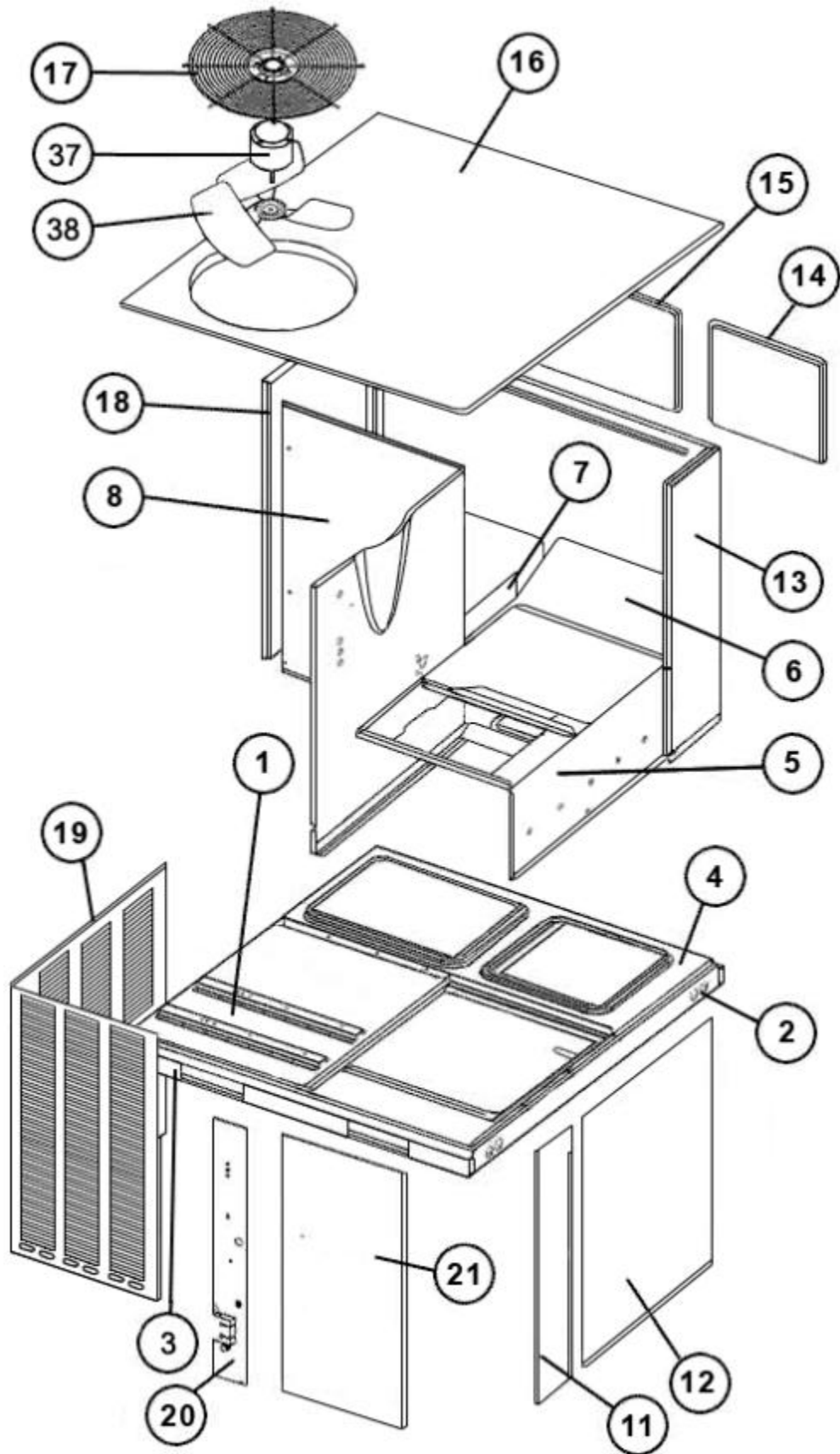
No.	Notes	MODEL	RACA13	RACA13
		COOLING CAPACITY	060	060
		MAJOR SERIES	A	A
		ELECTRICAL DESIGNATION	C	J
<b>COIL GROUP</b>				
<b>CONDENSER COIL:</b>				
61	Stk	Condenser Coil (Coil Only)	AS-104395-07	AS-104395-07
61b		Pad - Bottom Coil	68-104248-03 (5)	68-104248-03 (5)
61c		Coil Filler Plate (2)	AS-104545-02H	AS-104545-02H
61d		Coil Mount	N/A	N/A
		Access Valve Body (2)	61-18542-01	61-18542-01
		Access Valve Core (4)	61-18551-01	61-18551-01
		Bulkhead Valve (2)	61-22369-04	61-22369-04
78	Stk	Filter Drier - Liquid Line	83-22755-05	83-22755-05
<b>EVAPORATOR COIL:</b>				
62	Stk	Evaporator Coil (Coil Only)	65-104387-03	65-104387-03
63		Drain Pan Grommet	56-23601-01	56-23601-01
64	Stk	Drain Pan	68-23602-03	68-23602-03
64a		Water Block-Off	68-104901-01	68-104901-01
64b		Drain Trap (Attached to Drain Pan)	68-23603-01	68-23603-01
		Auxiliary Drain Pipe	82-58611-02	82-58611-02
	Stk	TXV	61-102211-39	61-102211-39
67a		Frame - Coil Back Air Stop	AE-104569-02	AE-104569-02
67b		Frame - Coil Top Air Stop	AE-104571-02	AE-104571-02
68a		Frame - Coil Front Air Stop	AS-104570-02H	AS-104570-02H
68b		Frame - Coil Front Support	AE-104572-02	AE-104572-02

No.	Notes	MODEL	RACA13	RACA13	RACA13	RACA13	RACA13	RACA13
		COOLING CAPACITY	024	030	036	042	048	060
		MAJOR SERIES	A	A	A	A	A	A
		ELECTRICAL DESIGNATION	J	J	J	J	J	J
<b>COMPRESSOR GROUP</b>								
		<b>Compressor ID:</b>	<b>8836</b>	<b>8837</b>	<b>8840</b>	<b>8838</b>	<b>8839</b>	<b>8844</b>
71	Stk	Compressor	55-102045-97S	55-102045-31S	55-102045-66S	55-102045-15S	55-102045-06S	55-102045-102S
72		Grommet (4)	56-18518-16	56-18518-16	56-18518-16	56-18518-16	56-18518-06	56-18518-06
73	Stk	Capacitor - Compressor/Fan	43-101665-44	43-101665-26	43-101665-41	43-101665-41	43-101665-48	43-101665-47
76		High Pressure Control	47-102290-01	47-102290-01	47-102290-01	47-102290-01	47-102290-01	47-102290-01
77		Low Pressure Control	See Accessories					
	Stk	Compressor Wiring Harness (Molded Plug)	45-100834-80	45-100834-80	45-100834-80	45-100834-80	45-100834-80	45-100834-80

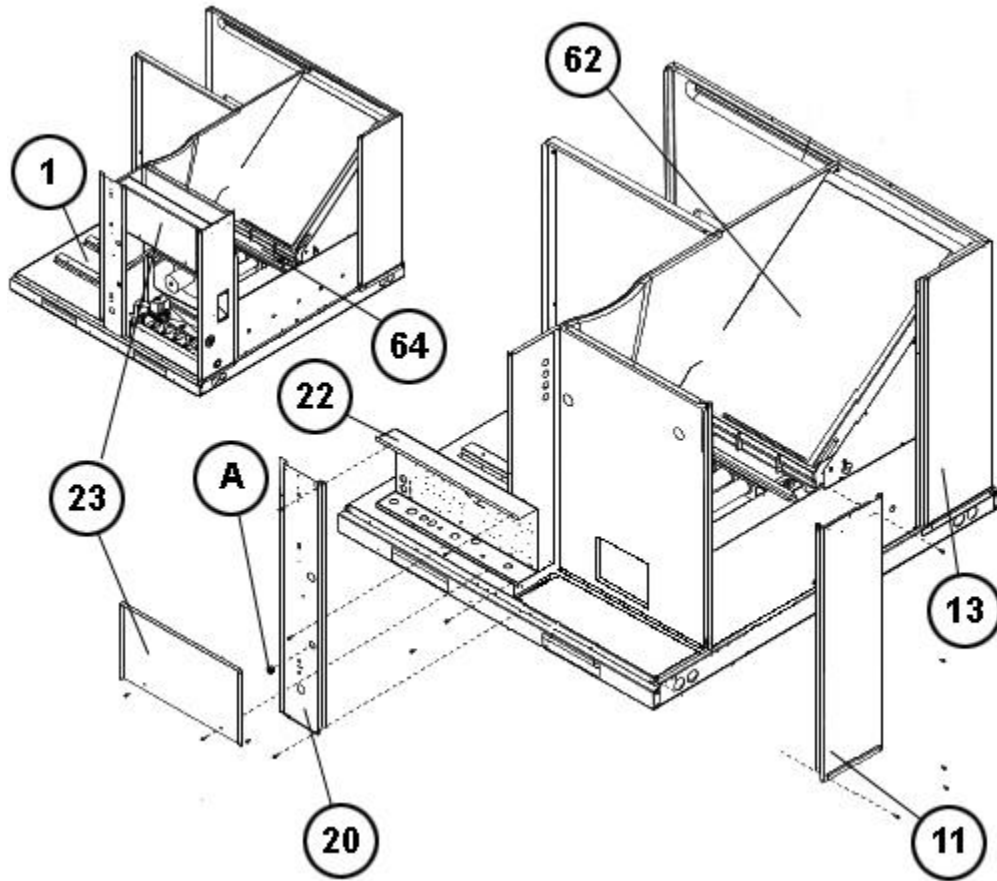
No.	Notes	MODEL	RACA13	RACA13	RACA13	RACA13		
		COOLING CAPACITY	036	042	048	060		
		MAJOR SERIES	A	A	A	A		
		ELECTRICAL DESIGNATION	C	C	C	C		
<b>COMPRESSOR GROUP</b>								
		<b>Compressor ID:</b>	<b>8841</b>	<b>8842</b>	<b>8843</b>	<b>8845</b>		
71	Stk	Compressor	55-102045-90S	55-102045-19S	55-102045-08S	55-102045-117S		
72		Grommet (4)	56-18518-16	56-18518-16	56-18518-06	56-18518-06		
73	Stk	Capacitor - Fan	See Fan Group					
76		High Pressure Control	47-102290-01	47-102290-01	47-102290-01	47-102290-01		
77		Low Pressure Control	See Accessories					
	Stk	Compressor Wiring Harness (Molded Plug)	45-100834-80	45-100834-80	45-100834-80	45-100834-80		

No.	Notes	MODEL COOLING CAPACITY MAJOR SERIES ELECTRICAL DESIGNATION	RACA13 ALL A J	RACA13 ALL A C
<b>HEATER KITS</b>				
		Heater Kit - 05 kW	RXQJ-A05J	N/A
		Heater Kit - 10 kW	RXQJ-A10J	RXQJ-A10C
		Heater Kit - 15 kW	RXQJ-A15J	RXQJ-A15C

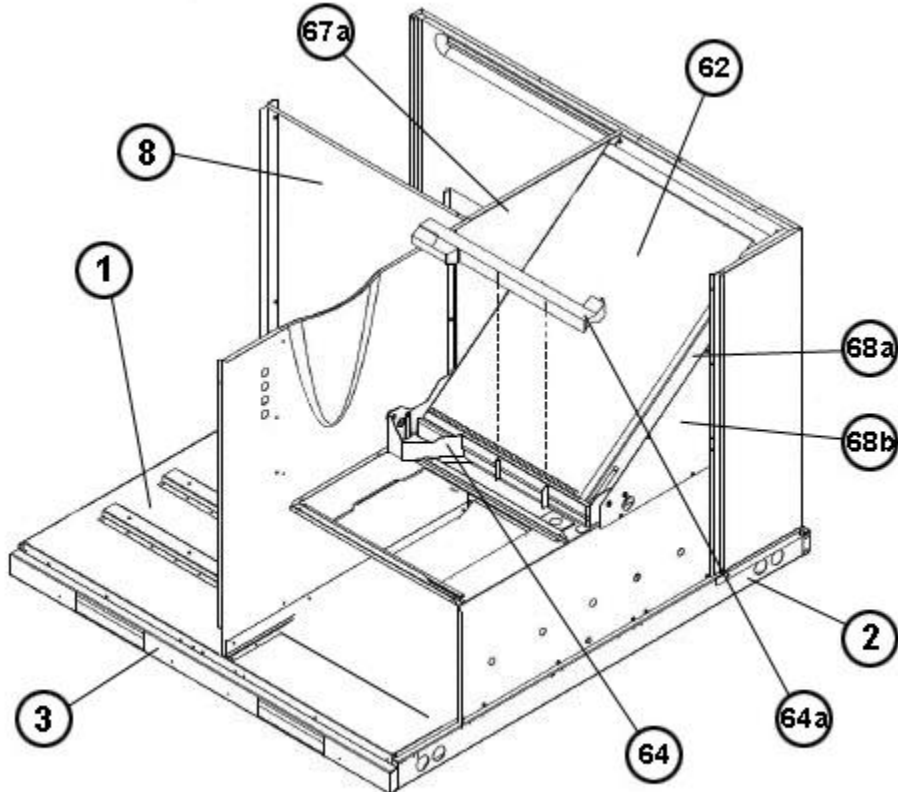
No.	Notes	MODEL VARIATIONS	RACA13 ALL	
<b>OPTIONS AND ACCESSORIES</b>				
		Economizer - Downflow, 3 Position	AXRE-CAA30	
		Economizer - Downflow, Fully Modulating	AXRD-CAM10	
		Economizer - Horizontal, 3 Position	AXRE-CCA30	
		Economizer - Horizontal, Fully Modulating	AXRD-CCM10	
		Fresh Air Damper - Fixed, 35%	AXRF-FAA1	
		Fresh Air Damper - Motorized, 35%	AXRF-FAB1	
		Low Ambient Control	RXRZ-B01	
76		High Pressure Control	RXAB-E01	
77		Low Pressure Control	RXAC-C01	



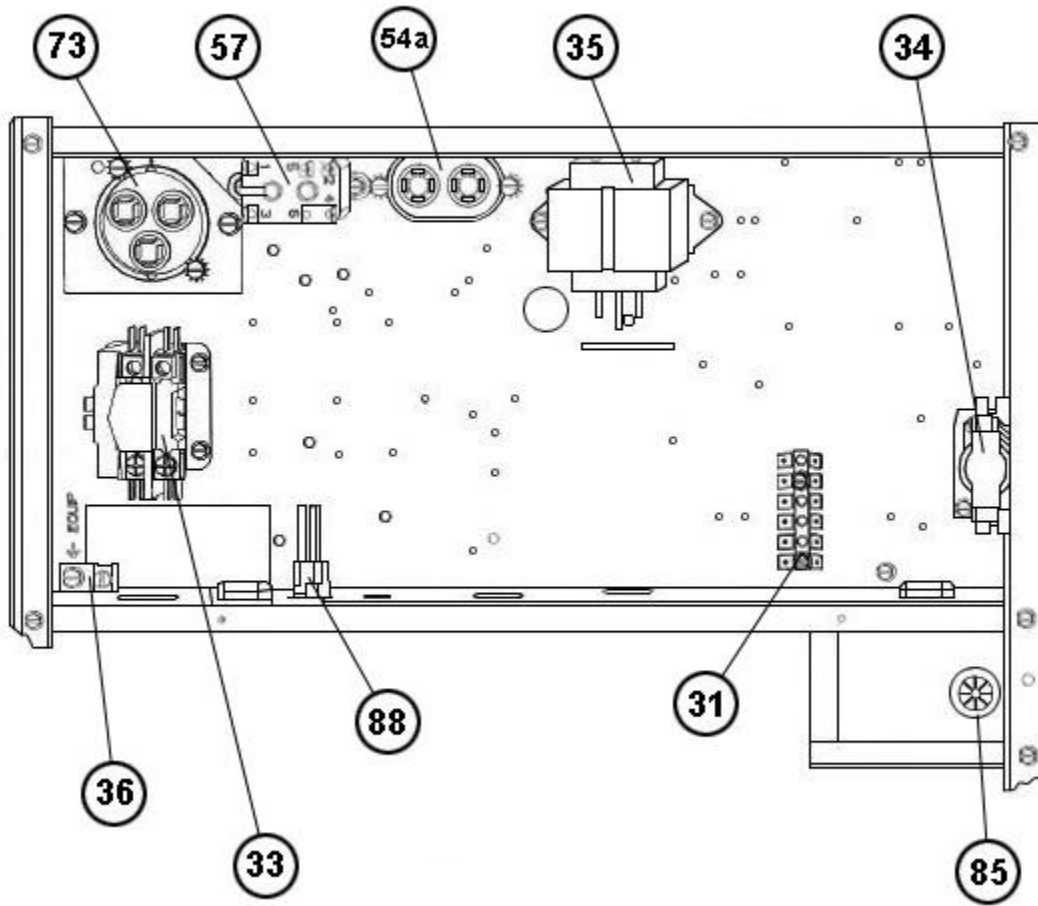
Exploded View



Control Access Panel, Evap Coil

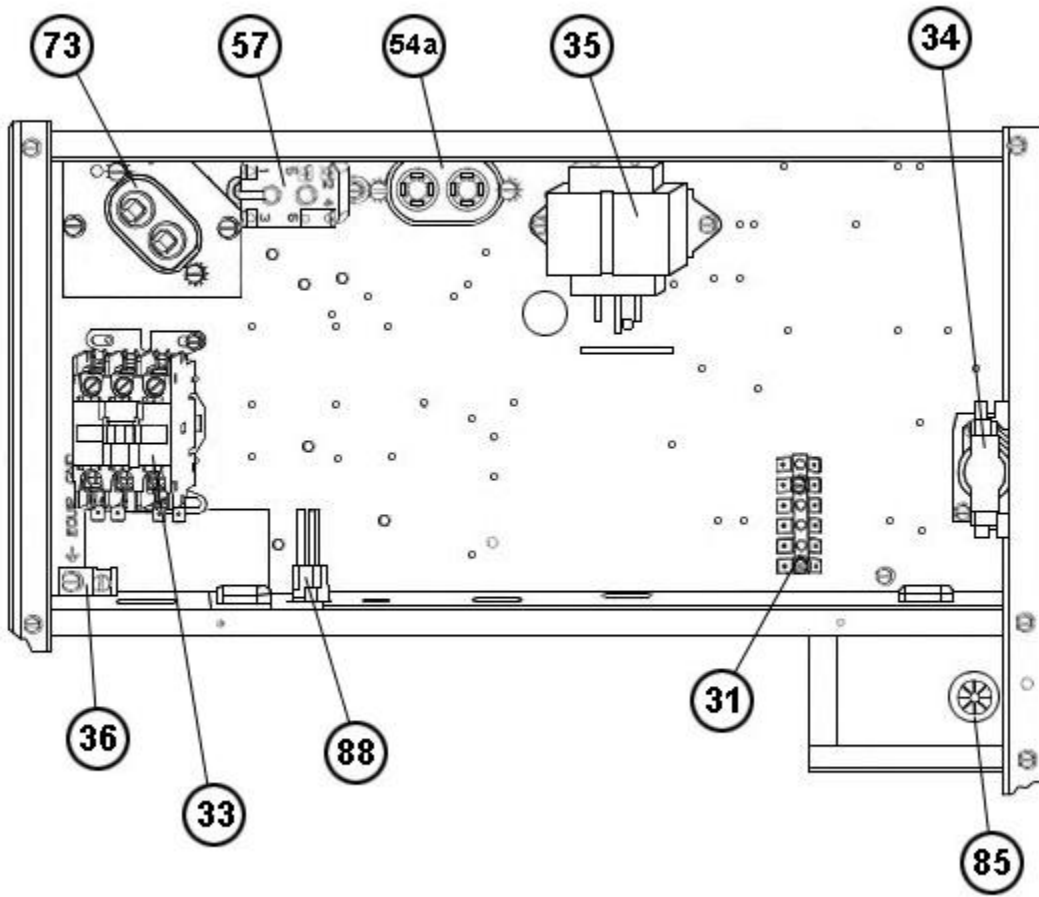


Evaporator Coil

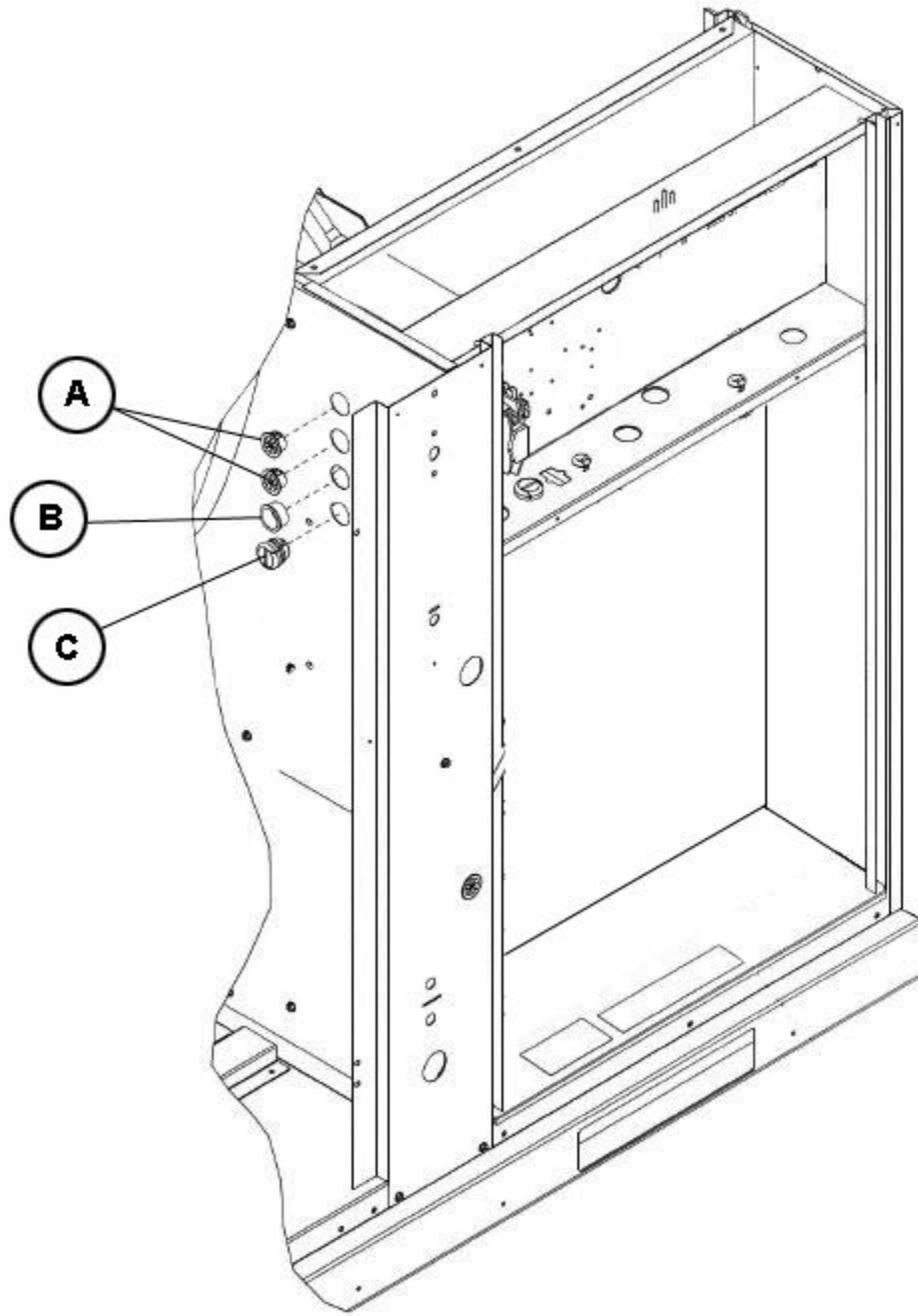


Electrical Control Box (1)

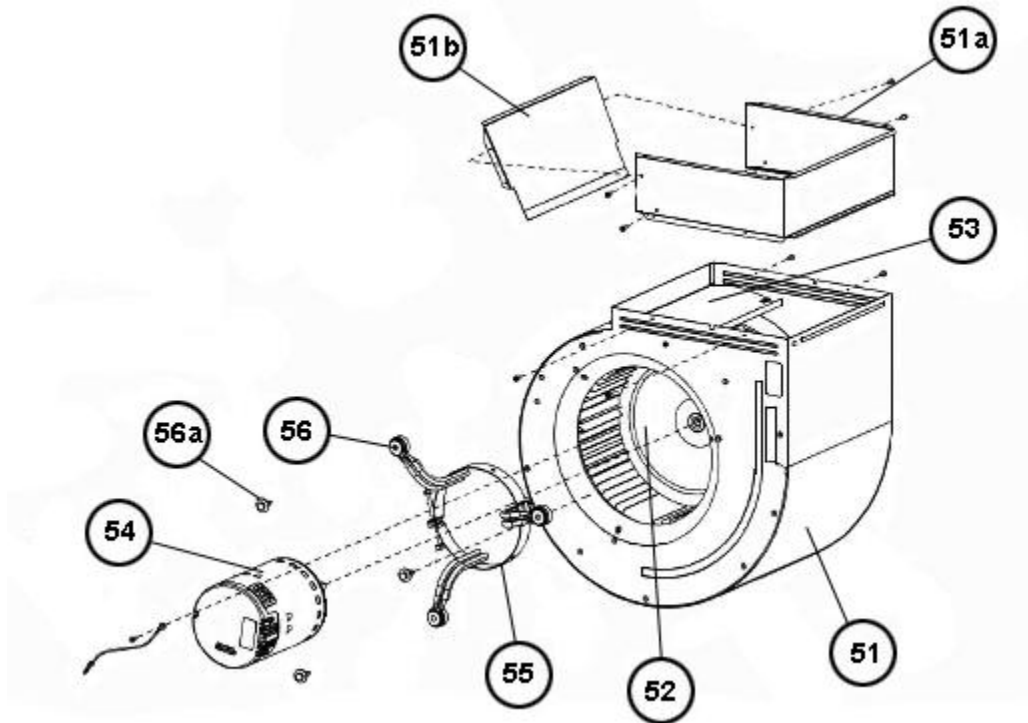




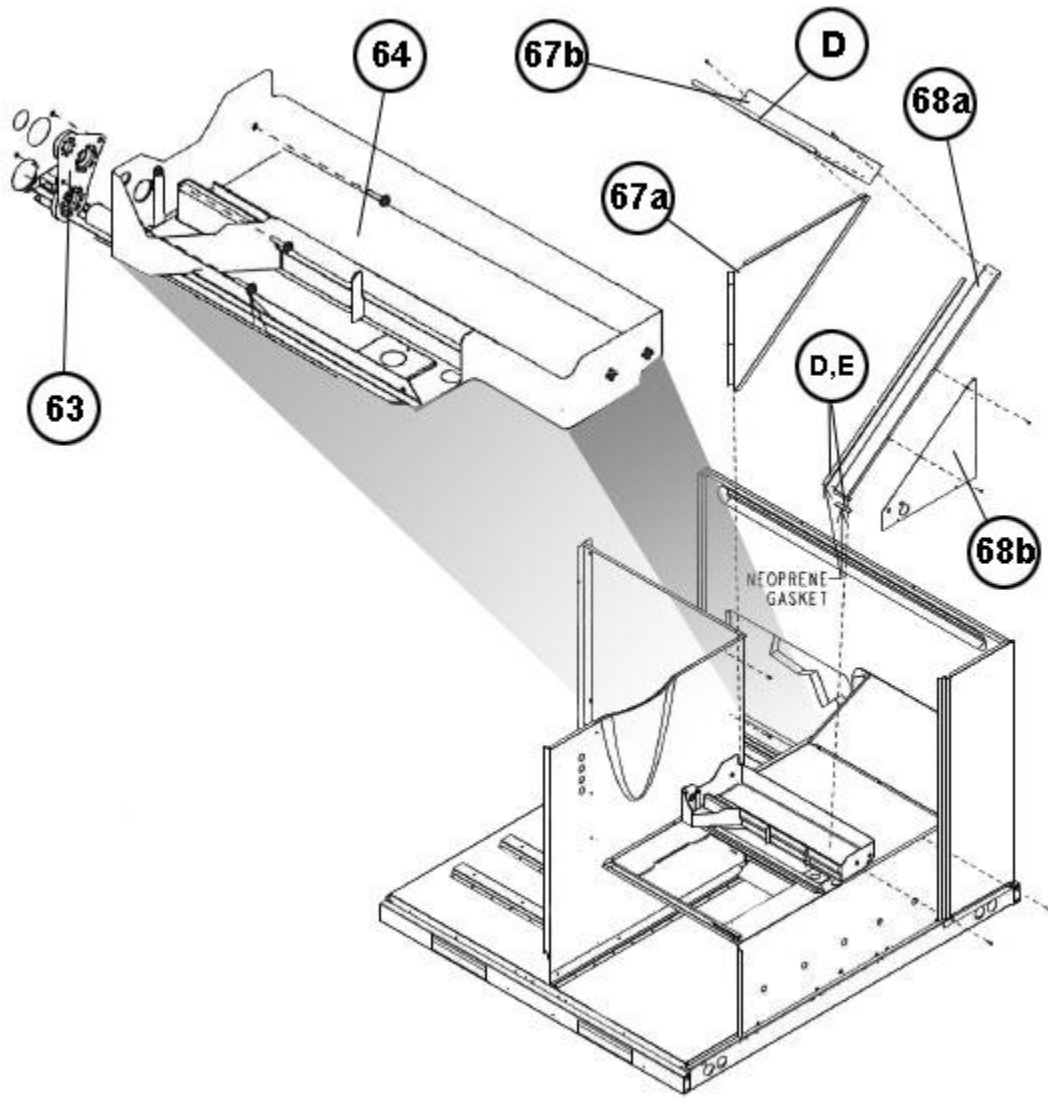
Electrical Control Box (2)



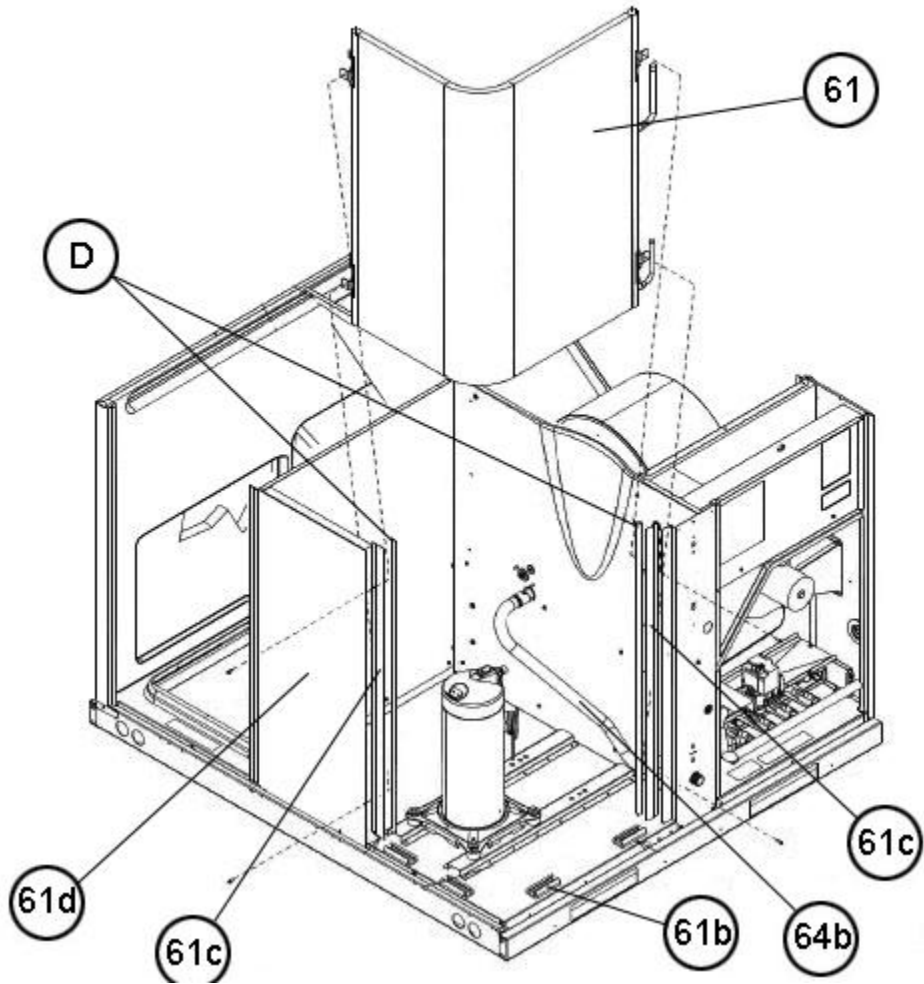
Bushings - Bulkhead Wiring



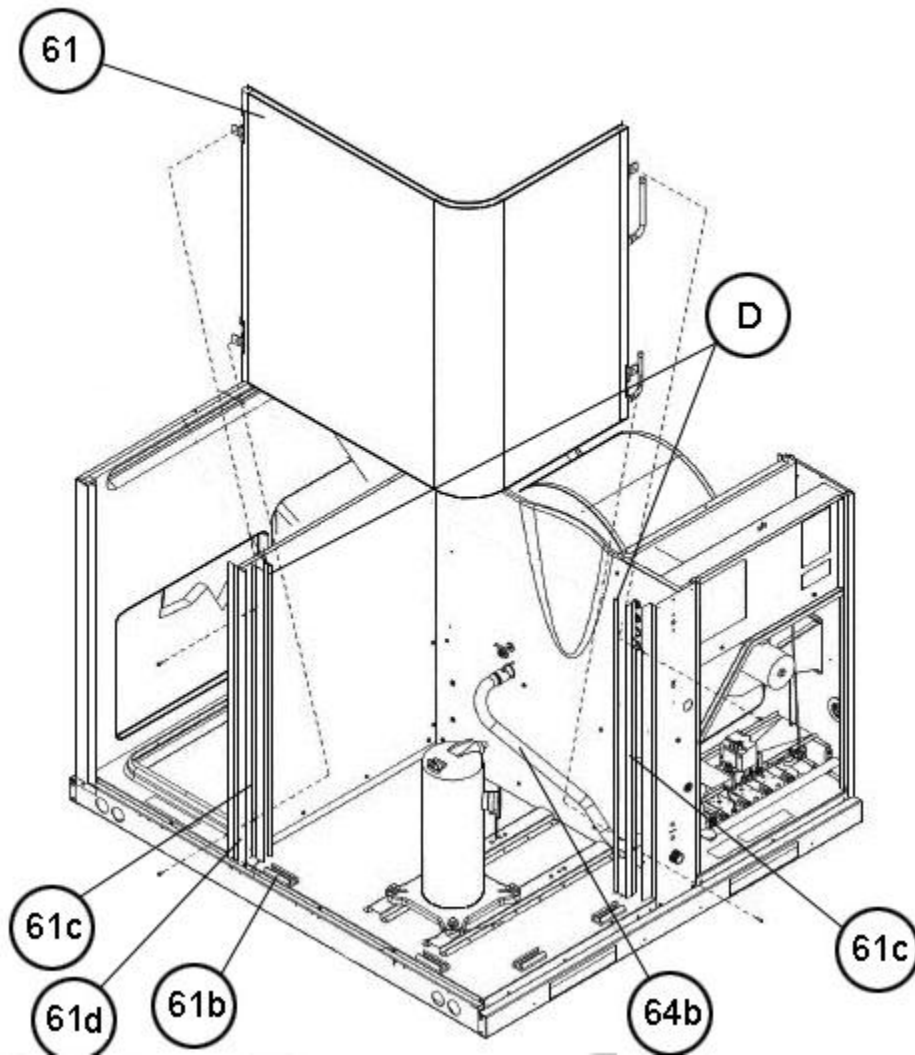
Blower Assembly



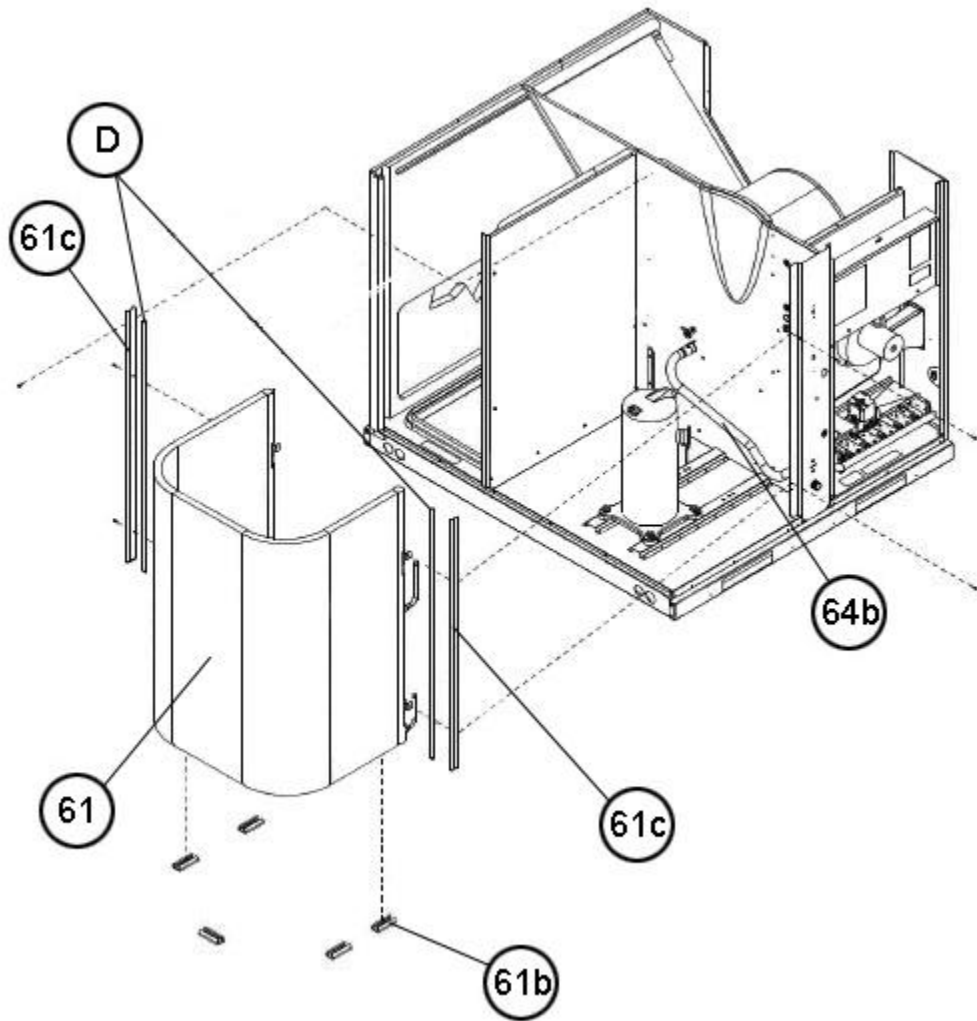
Coil Frames, Drainpan



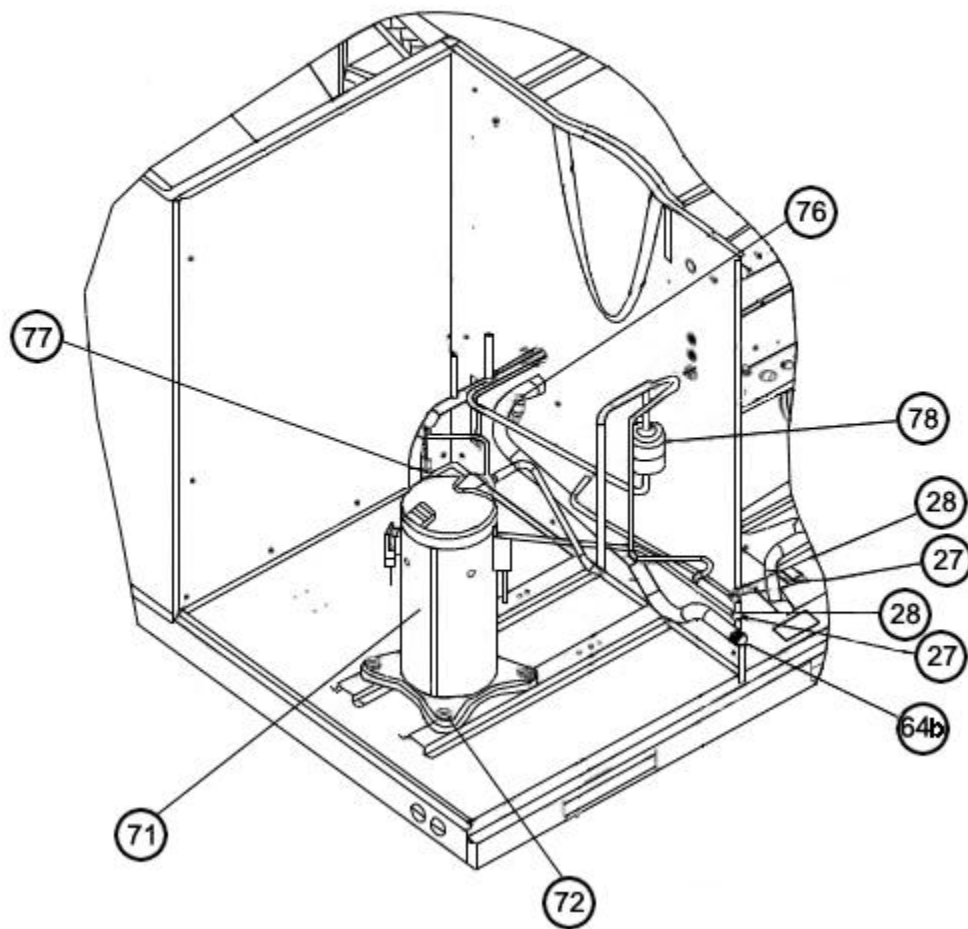
Condenser Coil 2 Ton



Condenser Coil 2.5 - 3 Ton

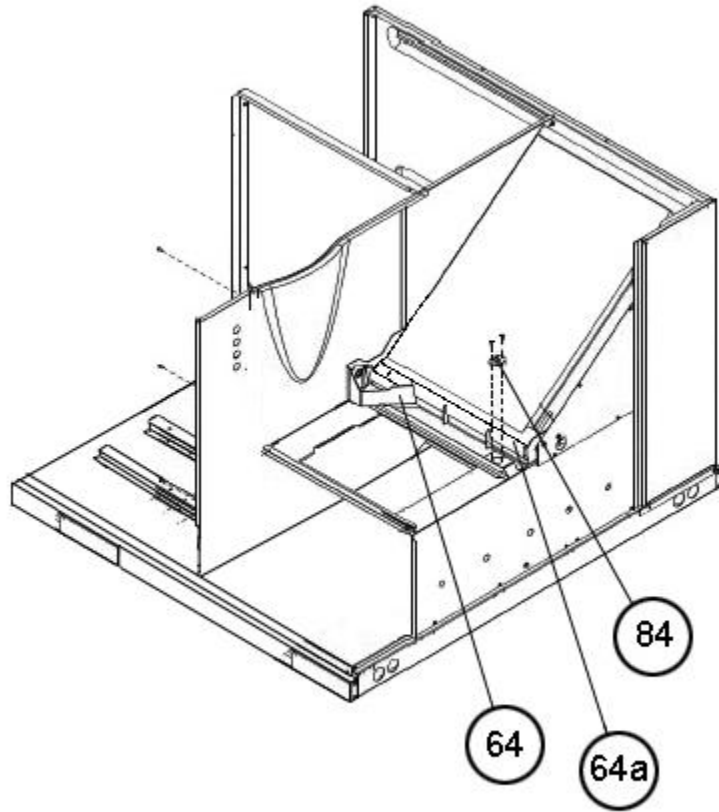


Condenser Coil 3.5 - 4 - 5 Ton

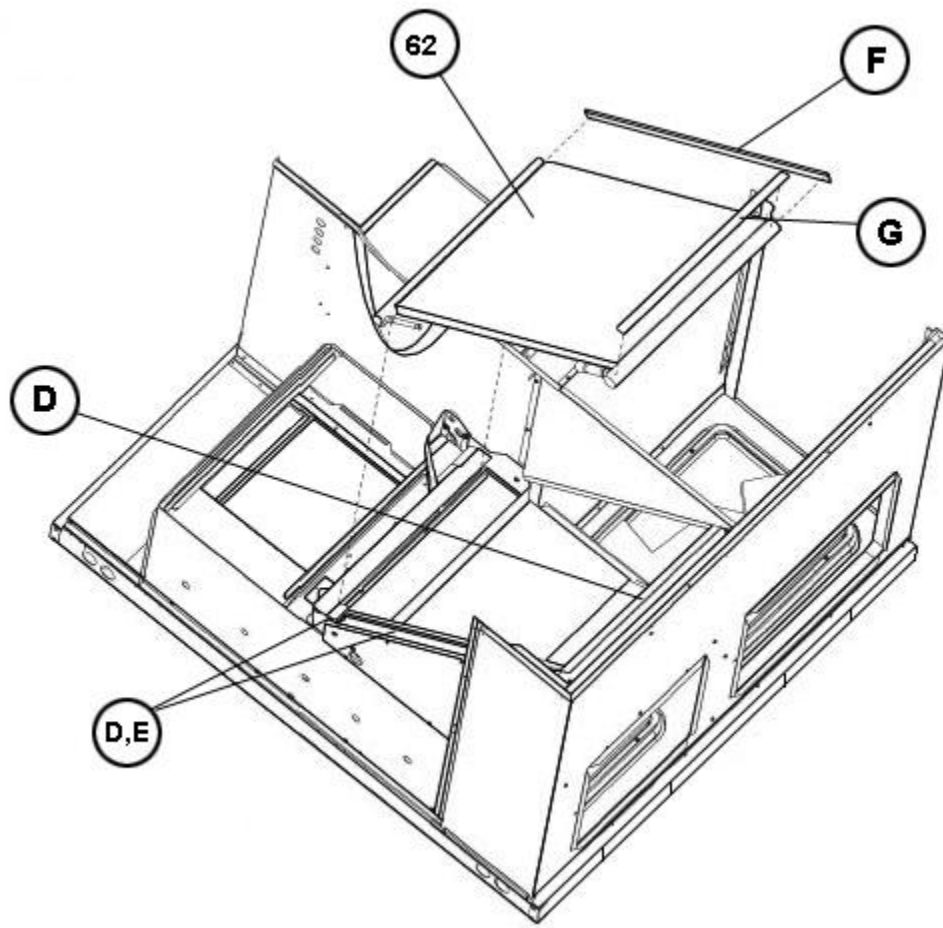


Compressor and Refrigeration Components

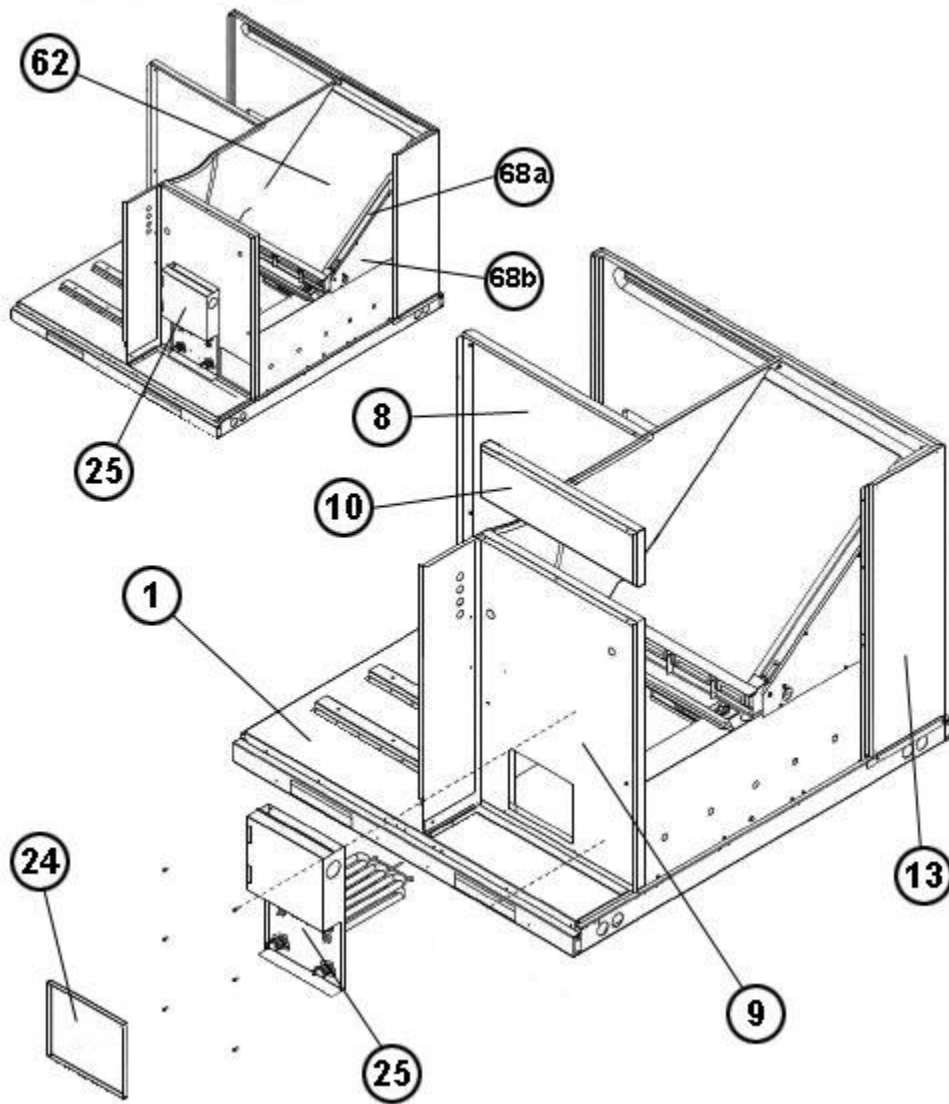




Limit Control - Blower Shelf



Evaporator Coil Gaskets



Heater Mounting - Panels

# NOTES

Stk It is recommended that stock be maintained for this part.  
N/A Not Applicable

**DISCLAIMER:** This document is intended to provide general replacement parts information to aid qualified service personnel in the repair of these models. The complete Model and Serial Number of the unit under repair should be specified when selecting and ordering replacement parts. Specifications and illustrations are subject to change without notice. Document 92-42800-RACA13 supersedes all previous parts lists for these models. See <http://www.rheempartslists.net/92-42800-RACA13> for the latest revision of this document. The manufacturer assumes no obligation for errors or omissions. Service personnel must verify the proper and safe operation of equipment after the replacement of any original components.