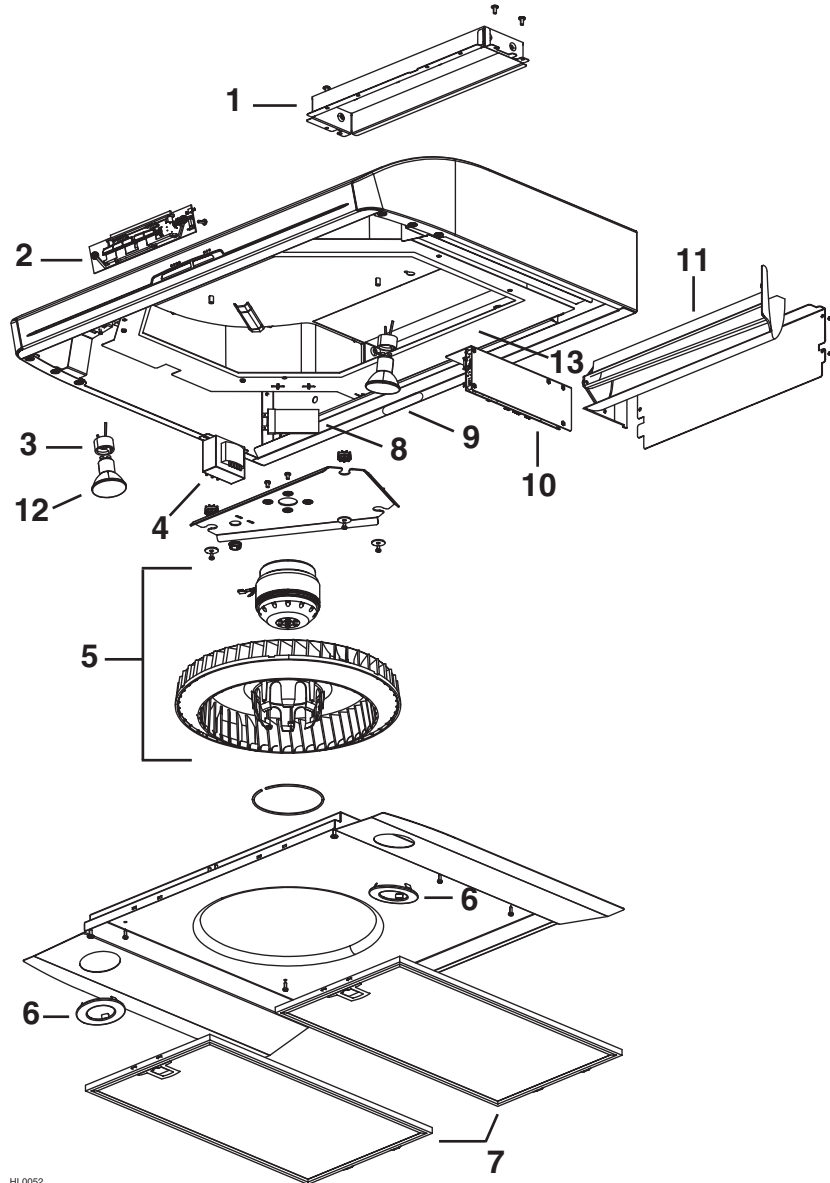


12. SERVICE PARTS

E661 MODEL



HL0052

KEY #	PART #	DESCRIPTION	WIDTHS		
			30"	36"	42"
1	V14971	ADAPTER/DAMPER	1	1	1
2	V06118	ELECTRONIC CONTROL	1	1	1
3	V05917	LAMP SOCKET	2	2	2
4	V06735	TRANSFORMER AND HARNESS KIT	1	1	1
5	V01766E	MOTOR (INCLUDING WHEEL)	1	1	1
6	V06268	LIGHT TRIM RING	2	2	2
7	V06244	FILTERS 9.92" X 17.981"	2	—	3
	V06264	FILTERS 12.922" X 17.981"	—	2	—
8	V02160	CAPACITOR	1	1	1
9	V06750	BROAN ELITE LOGO	1	1	1
10	V06733-1	CONTROL PROCESSOR UNIT	1	1	1
11	V06252	DIVERTER	1	1	1
12	V05921	HALOGEN LAMP (50 W, 120 V, GU10)	2	2	2
13	V03443	FOAM STRIP	1	1	1
*	V06734	LOW VOLTAGE HARNESS	1	—	—
	V06745	LOW VOLTAGE HARNESS	—	1	—
	V06746	LOW VOLTAGE HARNESS	—	—	1
*	V06112	INSTALLATION MANUAL	1	1	1
*	V06751	PARTS BAG (1) wire clamp LP16-AP.	1	1	1
		(2) wire connectors #74B, (5) #8 x 1/2"			
		screws, (3) #6 x 1/2" screws)			

* Item not shown.