

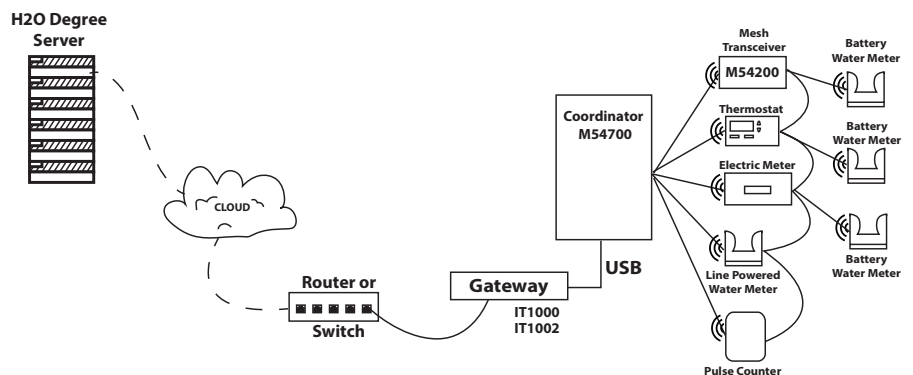


## Overview

The H2O Degree M54200 wireless mesh transceiver is used to extend the range of radio nodes that are joined to the H2O Degree wireless mesh network.

## Features

- The H2O Degree M54200 is a wireless mesh transceiver.
- Device extends the range of H2O Degree radio devices installed on the wireless mesh network.
- Devices can be installed up to 150 feet away from each other.
- Radio is compatible with the H2O Degree secure wireless 2.4 GHz mesh network.
- By using a magnet, the installer can force a radio transmission and receive a LED sequence feedback on radio connectivity in real-time for ease and validation of commissioning.
- Device software can be updated over the air.
- Power Source Required:
  - 120 VAC to 9 VDC Wall Plug 0.67 Amp power supply or
  - 24 VAC to 12 VDC Slip-In 250 mA power supply
- Health packet reported (120 minute interval default.)
- Approvals:
  - US Complies with FCC CFR Part 15
  - European RADIO EN 300 328:v1.7.1
  - European EMC EN 301 489-17:V2.1.1
  - European SAFETY EN 60950-1:2005 (Ed. 2.0)
- Five year warranty.



## Ordering Information

Model	Description
M54200	Wireless Mesh Transceiver - Indoor (requires a power supply)
M54200-O	Wireless Mesh Transceiver - Outdoor (requires a power supply)
M54200-SI	Wireless Mesh Transceiver - Indoor with power supply for mounting behind a thermostat
M54200-RM	Wireless Mesh Transceiver - Recessed box with 120 VAC to 5 VDC power supply
PS1001	120 VAC to 9 VDC Wall Plug 0.67 Amp power supply
PS1007	24 VAC to 12 VDC Slip-In 250 mA power supply