

FRIGIDAIRE GALLERY®

FGMV155CT D/F

MICROWAVE

30" OVER-THE-RANGE CONVECTION

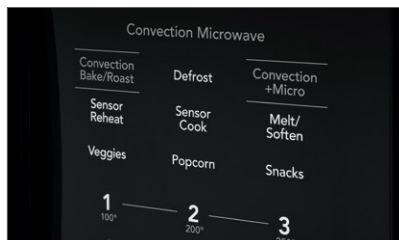
Smudge-Proof™
Stainless Steel



AVAILABLE COLORS



SIGNATURE FEATURES



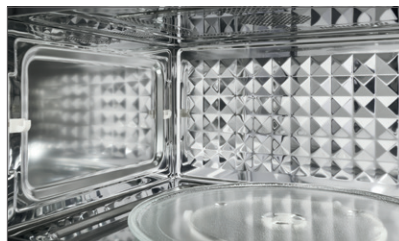
Convection Option

Bake and brown your favorite foods in your microwave oven at the touch of a button — ten preset options allow you to set the heat from 100 to 450 degrees.



PureAir® Microwave Filter

Keep the aromas you love and less of what lingers with PureAir® Microwave Filter that removes 10 times more cooking odors than standard Frigidaire® filters.



Effortless Clean™ Interior

Easily wipe away and clean spills from your microwave with the Effortless Clean™ Interior surface.



Sensor Cooking

Microwave automatically adjusts power levels and cooking times to cook a variety of items, effortlessly.

PRODUCT DIMENSIONS

Height	16-13/32"
Width	29-7/8"
Depth	15-7/16"

MORE EASY-TO-USE FEATURES

LED Cooktop Lighting

Make meal preparation and cooking simple with LED lighting that offers a clear, bright view of your cooktop.

Over 30 Options

Versatile settings include: Chicken nuggets and snacks.

Effortless™ Reheat

Reheat almost anything at the touch of a button.

Interior LED Lighting

See the results in action, as the LED interior microwave light stays on while you cook.

SpaceWise® Rack

Our SpaceWise® Rack creates more room so you can cook multiple dishes at once.

One-Touch Options

Our microwaves feature easy-to-use one-touch buttons so you can cook baked potatoes, popcorn or even add 30 seconds with the touch of a button.

Smudge-Proof™ Stainless Steel

Resists fingerprints and cleans easily.

Extra-Large 13-1/2" Diameter Glass Turntable

Big bowls and large casserole dishes are no problem for our extra-large glass turntable. It rotates for even cooking.

FGMV155CT D/F MICROWAVE

30" OVER-THE-RANGE CONVECTION

FRIGIDAIRE
GALLERY.

FEATURES

Control/Timing System	Express-Select®
Exterior Door Finish	Smudge-Proof™ Stainless Steel
Handle Design	Smudge-Proof™ Stainless Steel
Microwave Capacity (Cu. Ft.)	1.5
Convection	Yes
Watts (IEC-705 Test Procedure)	900
Interior Light	LED
Interior Color	Stainless Steel
Turntable Diameter	13-1/2"
Turntable On/Off	
Control Lock	
Clock	Yes
Touch Pad Buttons	27
Power Levels	High (1-9)
Accessory Metal Rack	Yes (1)

MICROWAVE CONTROL OPTIONS

Popcorn Button	Yes
Veggies Button	Yes
Sensor Reheat Button	Yes
Snack Button	Yes
Convection Bake/Roast Button	2
Melt & Soften Options	4
Auto Reheat Options	
Snack Menu Options	6
Convection + Micro Button	2
Auto Defrost Options	4
Multi-Stage Cooking Option	
Keep Warm	
Add-30-Seconds	Yes
Sensor Cooking Options	Yes
Vegetable Cook Sensor	
Quick Start	Yes (1-9)
Delay Start	
User Preferences	
Power Save (No Clock Display)	

VENTILATION SYSTEM

Ducted/Ductless Installation Option	Yes
Exhaust Fan (CFM)	2-Speed 170/300
Cooktop Light	2 LED Cluster
Auto-Start Heat Sensor	
Dishwasher-Safe Vent Filter (Ductless Installation)	Yes

POWER RATINGS

Frequency (MHz)	2,450
Watts @ 120 Volts	900
Amps @ 120 Volts	15

OPTIONAL ACCESSORIES

36" Stainless Steel Filler Panel Kit	PN# MWFILKTSS
PureAir® Charcoal Filter	Included
15" Bump-Out Kit	PN# MWBOK15TB

SPECIFICATIONS

Oven Interior (HxWxD)	8-15/16" x 20-1/4" x 13-15/16"
Power Supply Connection Location	Right Top Rear
Voltage Rating	120V / 60Hz / 15A
Connected Load (kW Rating) @ 120 Volts ¹	1.5
Minimum Circuit Required (Amps)	15
Shipping Weight (Approx.)	69 Lbs.

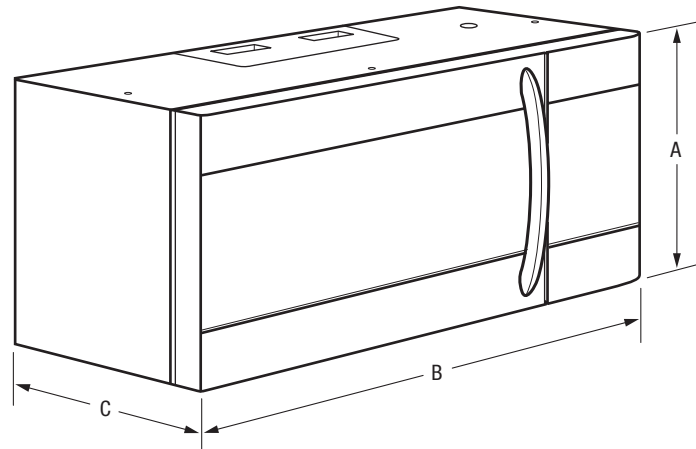
¹For use on adequately wired 120V, dedicated circuit having 2-wire service with a separate ground wire. Appliance must be grounded for safe operation.

PRODUCT DIMENSIONS

A - Height	16-13/32"
B - Width	29-7/8"
C - Depth	15-7/16"

CUTOUT DIMENSIONS

Height (Min. from floor to top of unit)	66"
Width (Min.)	30"
Depth (Min.)	12"
Depth (Max.)	13"



FRIGIDAIRE

USA • 10200 David Taylor Drive • Charlotte, NC 28262 • 1-800-FRIGIDAIRE • frigidaire.com
CANADA • 5855 Terry Fox Way • Mississauga, ON L5V 3E4 • 1-800-265-8352 • frigidaire.ca

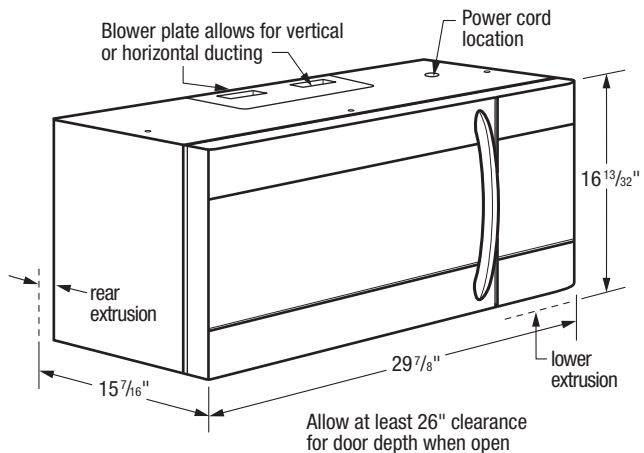
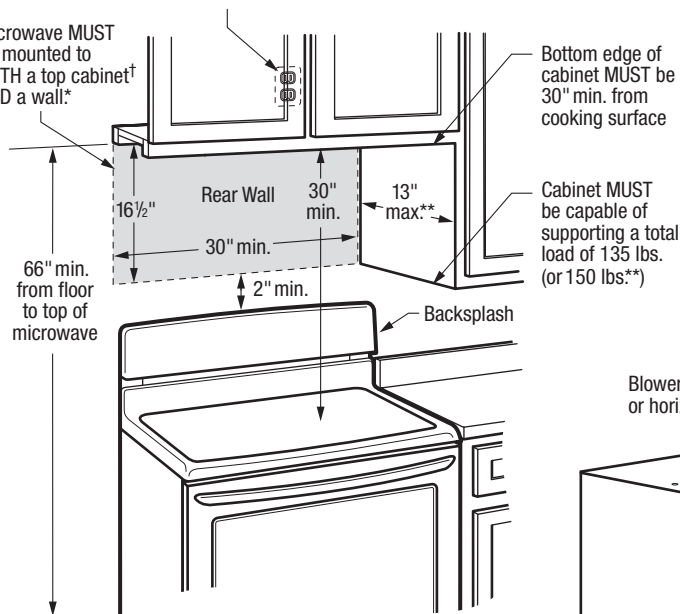


Note: For planning purposes only. Always consult local and national electric, gas and plumbing codes. Refer to Product Installation Guide for detailed installation instructions on the web at frigidaire.com / frigidaire.ca.
Specifications subject to change. Accessories information available on the web at frigidaire.com / frigidaire.ca

FGMV155CT 08/17
© 2017 Electrolux Home Products, Inc.

Locate 120V/60Hz grounded outlet inside upper cabinet

Microwave MUST be mounted to BOTH a top cabinet† AND a wall.*



†When installing beneath smooth, flat cabinets, refer to cabinet template for detailed power cord clearance instructions

*Can NOT be installed in island or peninsula cabinet arrangements

**If cabinet depth (including doors) is deeper than 13", unit MUST be spaced out from rear wall using adequate materials (supporting 150 lbs.) to allow proper top vent air exhaust/intake

INSTALLATION SPECIFICATIONS

- Product Shipping Weight (approx.) – 69 Lbs.
- Voltage Rating – 120V/60 Hz/15 Amps
- Connected Load (kW Rating) @ 120 Volts = 1.5kW
(For use on adequately wired 120V, dedicated circuit having 2-wire service with a separate ground wire. Appliance must be grounded for safe operation.)
- Amps @ 120 Volts = 15 Amps
- Always consult local and national electric codes.
- Grounded outlet should be located in cabinet above, with hole in base to route power cord. Carefully follow top template instructions for power cord clearance when installing beneath smooth, flat cabinets.
- Microwave's exhaust ventilation system is preset to recirculate air inside with no ducting system required. Exhausting air outside is optional, using either vertical or horizontal ducting system. (Refer to Ducted Option Specifications for outside ventilation.)
- For safe and proper installation, microwave MUST be mounted to BOTH a top cabinet AND a wall, and connected to at least one wall stud. Can NOT be installed in island or peninsula cabinet arrangements.
- Cabinet bottom MUST be level to insure proper installation.
- Cabinet MUST be capable of supporting a total load of 135 lbs.
- When installing beneath smooth, flat cabinets, refer to cabinet template for detailed power cord clearance instructions.
- If cabinet depth (including doors) is deeper than 13", unit MUST be spaced out from rear wall using adequate materials (supporting 150 lbs.) to allow proper top vent air exhaust/intake.
- Filler blocks recommended for installation when cabinet front hangs below recessed bottom shelf.

- Minimum distance of 30" required from cooking surface to bottom edge of top cabinet.
- Minimum distance of 66" required from floor to top of microwave.
- Opening between cabinets MUST be 30" wide and free of obstructions. For openings up to 36" wide, order optional 36" Filler Panel Kit to fill in gap between unit and cabinets.
- Allow 26" minimum clearance for 90° door swing.

DUCTED OPTION SPECIFICATIONS

- For outside ventilation.
- Exhaust duct adapter will be needed for outside ventilation, to mate with standard 3-1/4" x 10" rectangular duct. If round duct required, rectangular-to-round transition adapter will be needed with no less than 6" diameter.
- For most efficient airflow exhaust, use a straight run or as few elbows as possible with a maximum duct length of 3-1/4" x 10" rectangular or 6" diameter round duct, not to exceed 120 equivalent feet.
- For horizontal installation, be sure to allow enough space between wall studs to accommodate exhaust.
- Refer to installation instructions on web for detailed duct preparation and converting exhaust vent blower system for exterior exhaust ventilation.

OPTIONAL ACCESSORIES

- 36" Stainless Steel Filler Panel Kit – (PN# MWFILKTSS).
- 15" Bump-Out Kit – (PN# MWBOK15TB).
- PureAir® Charcoal Filter – Included.

