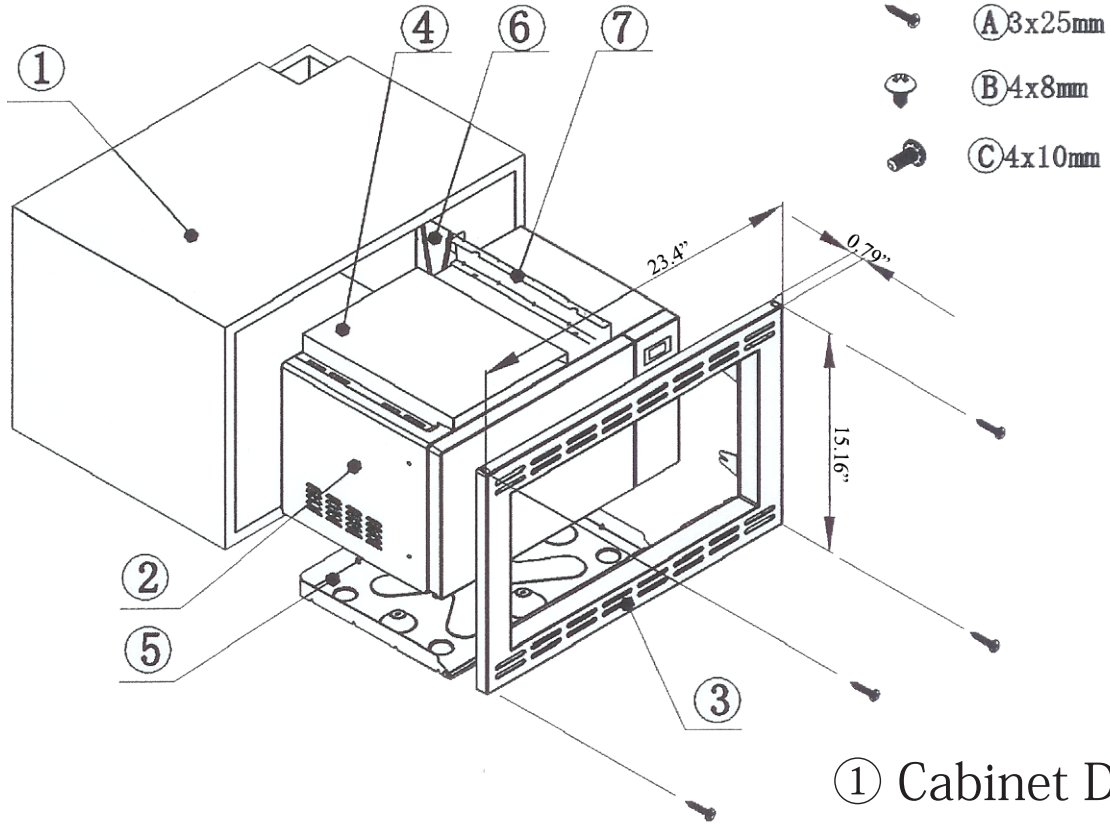


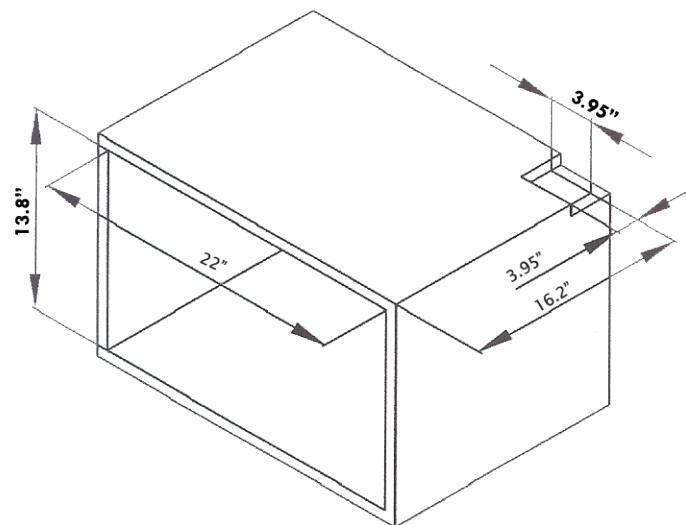
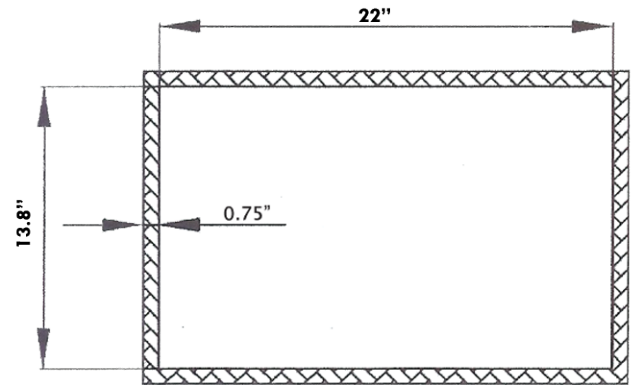
INSTALLATION MANUAL

OTR24

Built-in Microwave



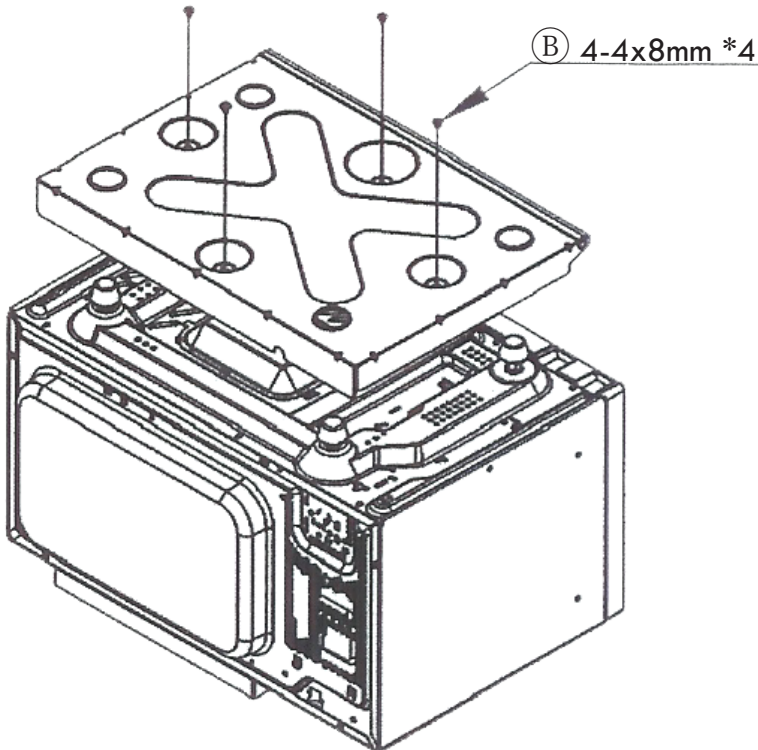
① Cabinet Dimensions



Label	Name	Quantity
1	Cabinet	1
2	Microwave Oven	1
3	Front Grill	1
4	Upper Exhaust Guide	1
5	Lower Exhaust Guide	1
6	Rear Vent Shield	1
7	Top Vent Shield	1
Ⓐ	Screw 3x25mm	4
Ⓑ	Screw 4x8mm	12
Ⓒ	Screw 4x10mm	4

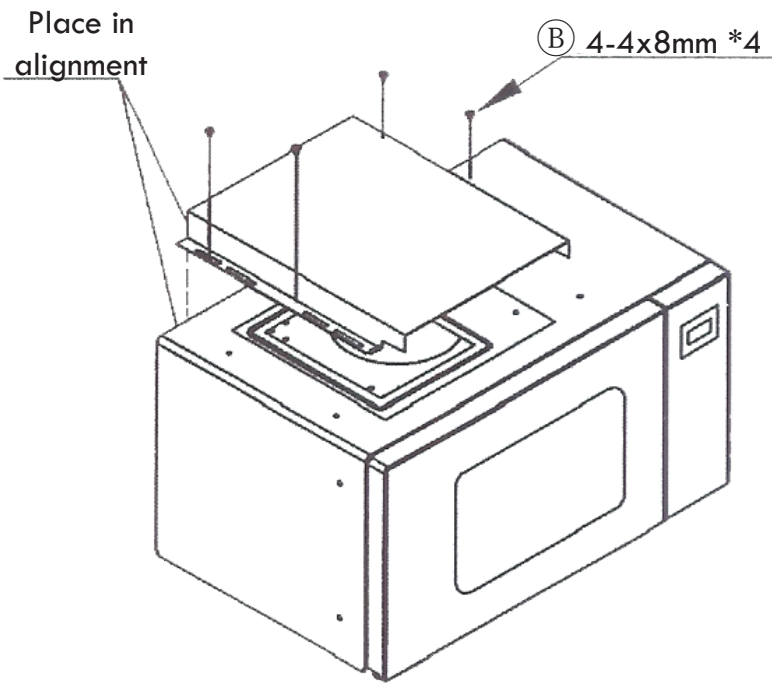
1

Fasten the lower exhaust guide to the bottom of the microwave oven with 4 screws.



2

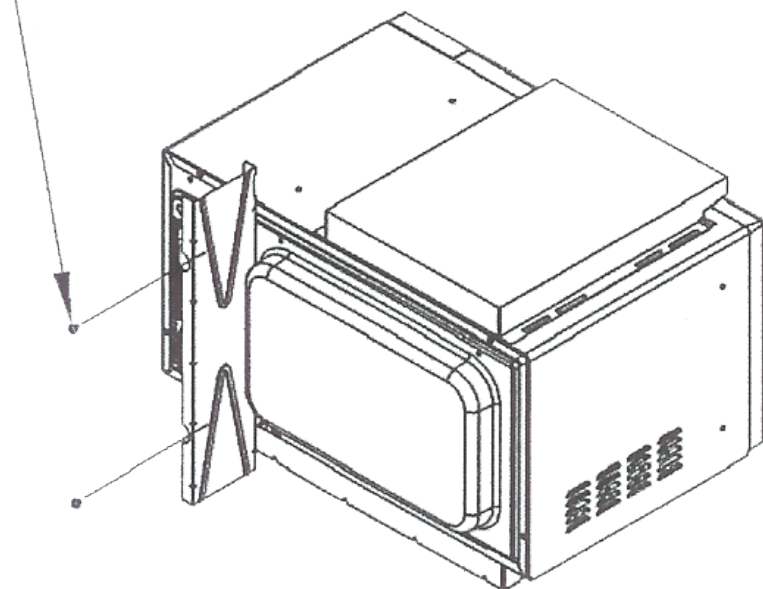
Fasten the upper exhaust guide to the top of the microwave oven with 4 screws.



3

Fasten the rear vent shield to the microwave oven rear with 2 screws.

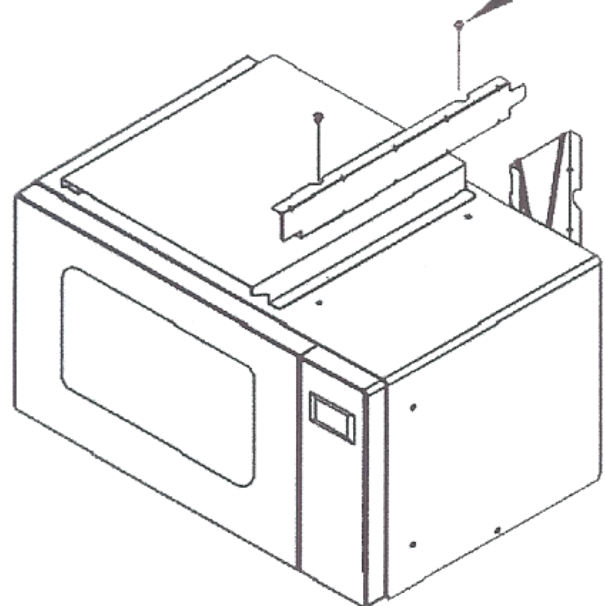
Ⓑ 4-4x8mm *2



4

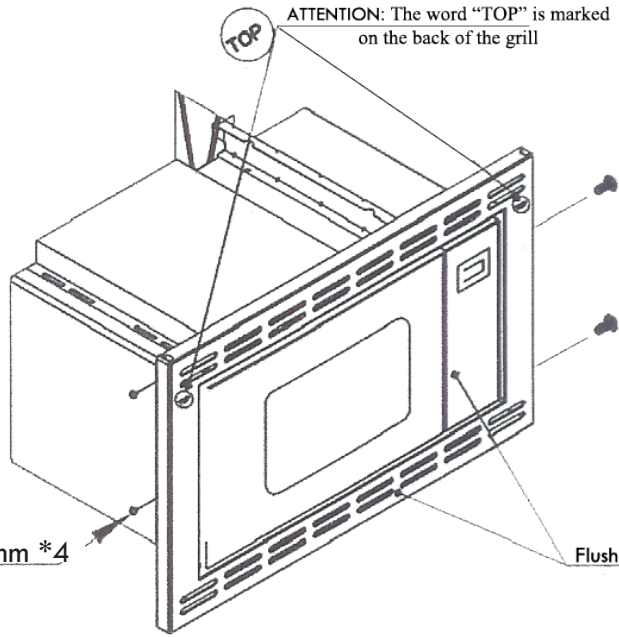
Fasten the top vent shield to the microwave oven with 2 screws.

Ⓑ 4-4x8mm *2



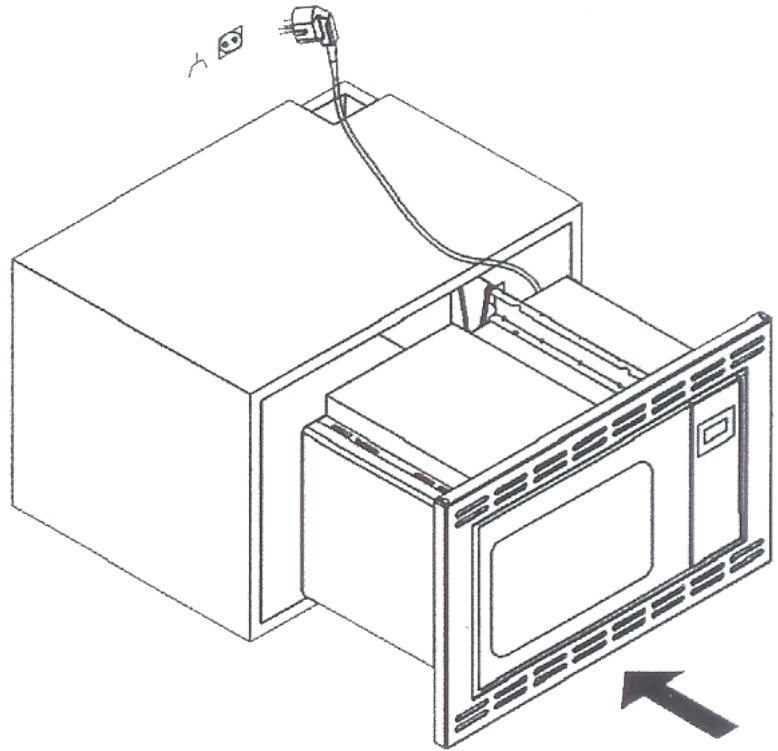
5

Fasten the front grill to the microwave oven with 4 screws.



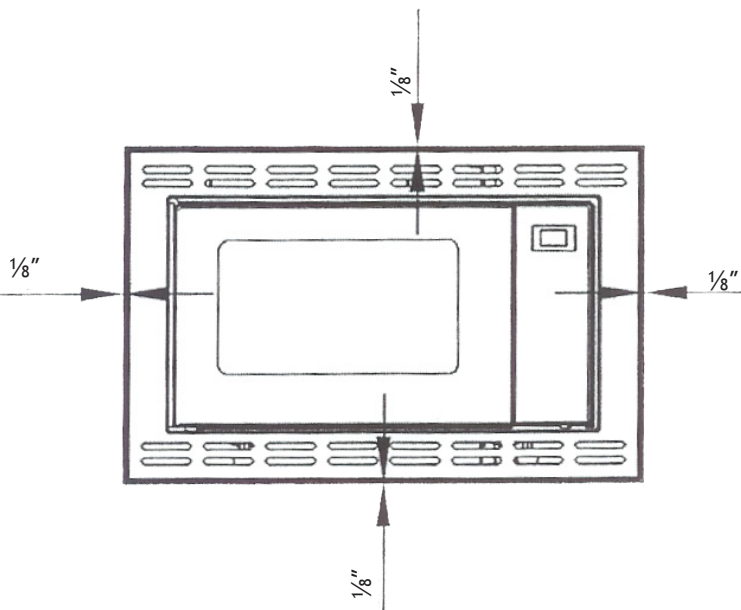
6

Feed cord through cabinet rear



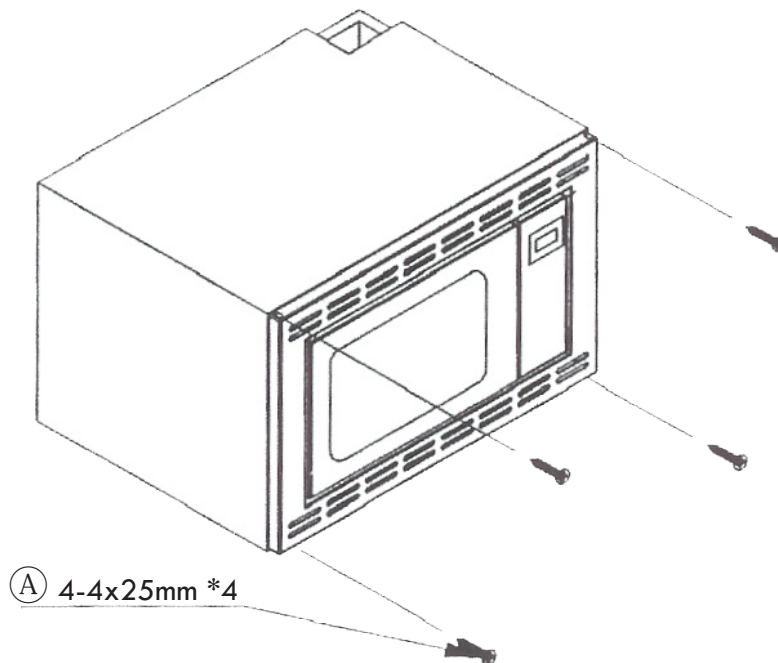
7

Place oven in the middle of cabinet.



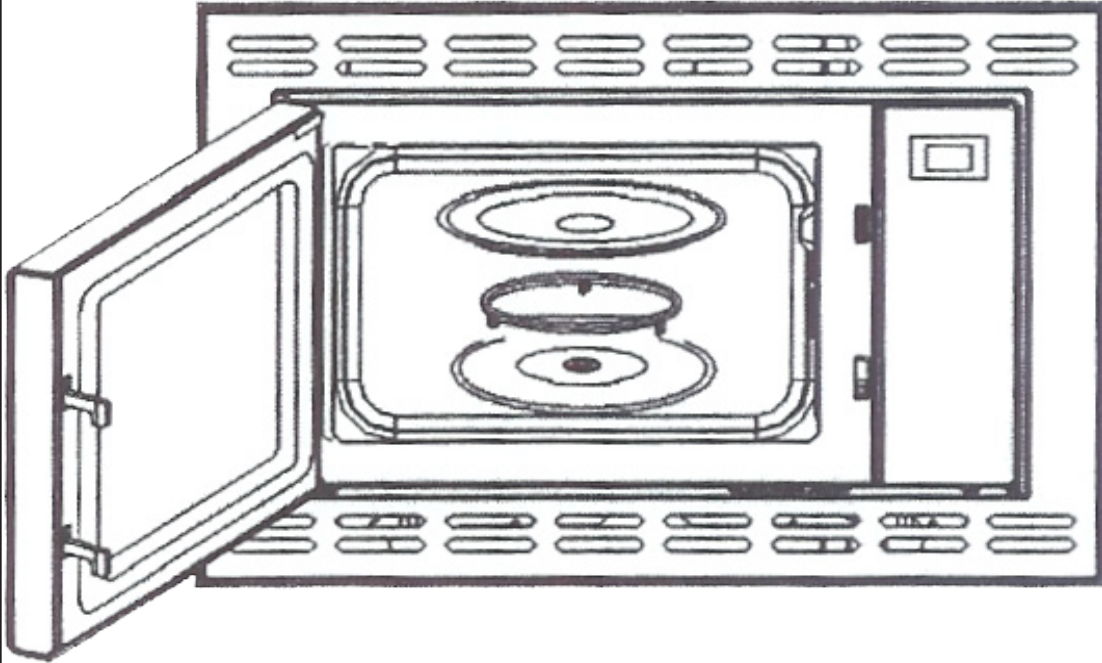
8

Fasten the oven into the cabinet with 4 screws.



9

Insert rotary carousel and warming plate



10

Installation Complete

