



The new degree of comfort.™

## Rheem *Commercial Classic*® Series Package Air Conditioner



### **RLKL-B Standard Efficiency Series**

Nominal Sizes 6 Tons [21.1 kW]  
(3 Phase Models Only)





## TABLE OF CONTENTS

Unit Features & Benefits .....	3-4
Selection Procedure .....	5
Model Number Identification .....	6
Options .....	7
General Data	
RLKL-B Series .....	8-9
Gross Systems Performance Data	
RLKL-B Series .....	10
Airflow Performance	
RLKL-B Series .....	11
Electrical Data	
RLKL-B Series .....	12
Electric Heater Kits	
RLKL-B Series .....	13-14
Dimensional Data .....	15-17
Accessories .....	18-25
Mechanical Specifications .....	26
Wiring Diagrams .....	27
Limited Warranty .....	28



**Compressor Access**



**Control Box Access**



**Optional Electric Heater Kit**



**Evaporator Coil/Filter Access**

- Return air filters, normally provided, are removed in this photo.

- Non-corrosive plastic condensate pan



**Blower Access**

- Belt drive model shown. (Available on 3-phase models only.)

[ ] Designates Metric Conversions



## STANDARD FEATURES INCLUDE:

- R-410A HFC refrigerant.
- Complete factory charged, wired and run tested.
- Scroll compressors with internal line break overload and high-pressure protection.
- Single stage compressor on all models.
- Convertible airflow.
- TXV refrigerant metering system on each circuit.
- High Pressure and Low Pressure/Loss of charge protection standard on all models.
- Solid Core liquid line filter drier on each circuit.
- Single slab, single pass designed evaporator coil facilitates easy cleaning for maintained high efficiencies.
- Cooling operation up to 125 degree F ambient.
- Easily removable filter, blower, electric heat, and control access panels permits prompt service.
- Powder Paint Finish meets ASTM B117 steel coated on each side for maximum protection. G90 galvanized.
- One piece top cover and one piece base pan with drawn supply and return opening for superior water management.
- Externally mounted refrigerant gauge ports for easy service diagnostics.
- Factory or field-installed electric heat kits available up to 24 kW.
- Easy to install plug-in; slip in, 100% fully modulating economizer.
- Forkable base rails for easy handling and lifting.
- Single point electrical and gas connections.
- Direct drive or high performance belt drive motor with variable pitch pulleys and quick adjust belt system.
- Permanently lubricated evaporator, condenser and gas heat inducer motors.
- Condenser motors are internally protected, totally enclosed with shaft down design.
- 1 inch filter standard with slide out design.
- Colored and labeled wiring.
- Copper tube/Aluminum Fin coils.
- Molded compressor plug.

## RLKL-B SELECTION PROCEDURES

### 1. Determine cooling and heating requirements at design conditions.

Example:

Total cooling capacity	.....65,000 BTUH [19.04 kW]
Sensible cooling capacity	.....49,000 BTUH [14.36 kW]
Condenser entering air	.....95°F [35°C]
Evaporator entering air	.....63°F [17°C] wb/76°F [24°C] db
Indoor air flow	.....2050 CFM [967 L/s]
External static pressure	.....2.0 in wg

### 2. Select unit to meet cooling requirements.

Since total cooling is within the range of 6 ton [21.1 kW] unit enter cooling performance from the RLKL-B072 table, at 95°F [35°C] outdoor temperature, 63°F [17°C] wb entering indoor air, and 2050 CFM [967 L/s]:

Total capacity	.....68,800 BTUH [20.17 kW]
Power input	.....5.2 kW

And also, at 76°F [24°C] db indoor entering air, and using the formula at the bottom of the page:

Sensible capacity.....52,304 BTUH [15.33 kW]

### 3. Determine blower speed and power to meet the system requirements.

At the given external static pressure of 2.0 in wg, the belt model must be selected. Enter the belt drive blower performance table at 2050 CFM [967 L/s] and 2.0 in wg ESP:

RPM	.....793
Watts	.....690
Drive	.....L

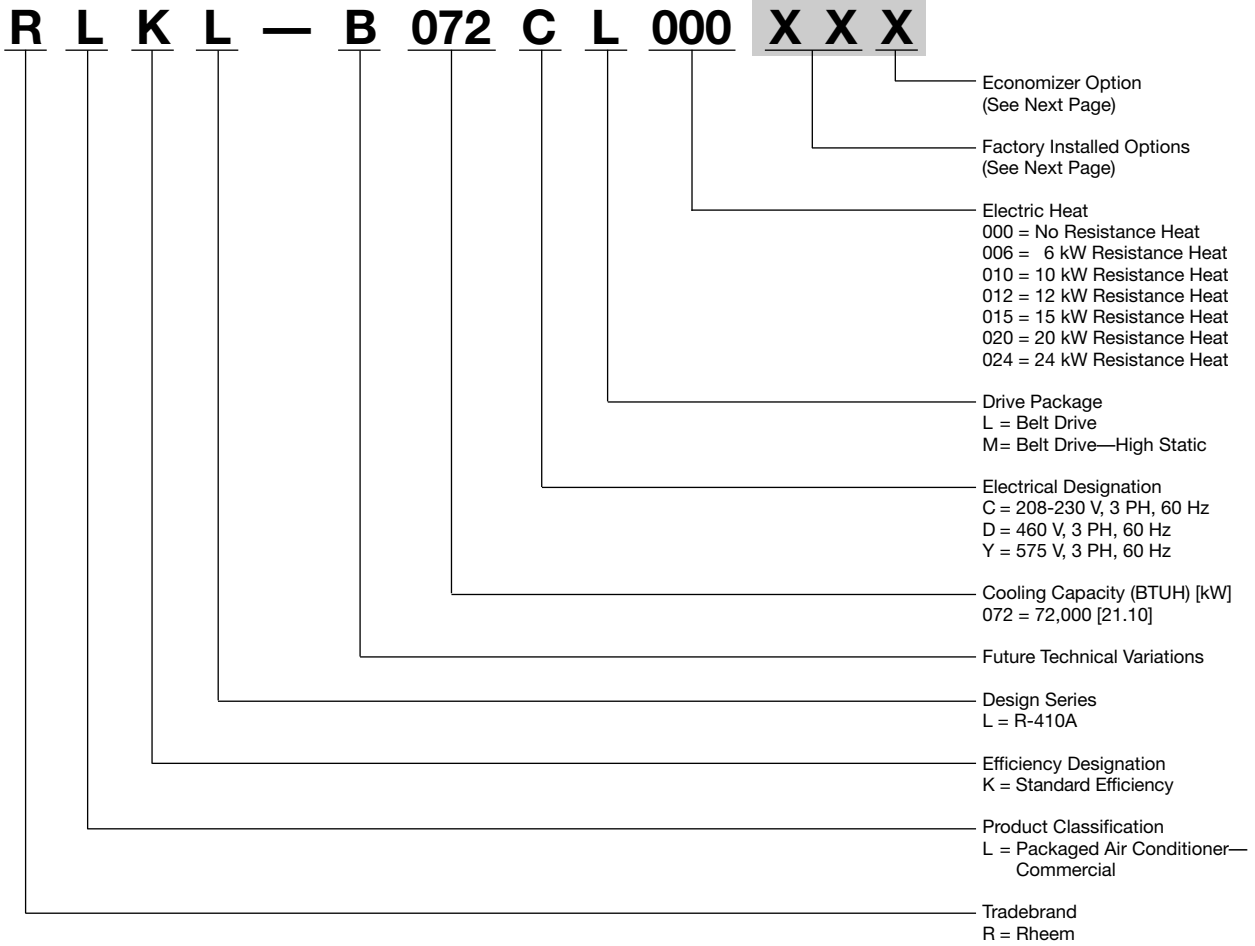
### 4. Calculate indoor blower BTUH heat effect.

BTUH = Watts x 3.413 = 2355

### 5. Calculate net cooling capacities.

Net total cooling = 67,500 – 2355 = 65,145 BTUH [19.09 kW]  
Net sensible cooling = 52,304 – 2355 = 49,949 BTUH [19.08 kW]

[ ] Designates Metric Conversions



[ ] Designates Metric Conversions



## FACTORY INSTALLED OPTION CODES FOR RLKL-B (6 Ton) [21.1 kW] (B072)

Option Code	Hail Guard	Non-Powered Convenience Outlet	Low Ambient/ Freeze Stat
AD	X		
AG		X	
AP			X
BY	X		X
BJ	X	X	
CX	X	X	X
JC		X	X

Example: RLKL-B072CL000XX (where XX is factory installed option)

Example: No Options

RLKL-B072CL000

Example: No Options with Factory Installed Economizer

RLKL-B072CL000AAF

Example: Options with Hailguard with no Factory Installed Economizer

RLKL-B072CL000ADA

Example: Options same as above with Factory Installed Economizer

RLKL-B072CL000ADF

## ECONOMIZER SELECTION FOR RLKL-B

	No Economizer	Single Enthalpy Economizer With Barometric Relief
A	X	
F		X

"x" indicates factory installed option.

[ ] Designates Metric Conversions

## NOMINAL SIZES 6 TONS [21.1 kW] ASHRAE 90.1-1989 COMPLIANT MODELS

Model RLKL- Series	B072CL	B072CM	B072DL	B072DM
<b>Cooling Performance<sup>1</sup></b>				<b>CONTINUED</b> →
Gross Cooling Capacity Btu [kW]	73,000 [21.39]	73,000 [21.39]	73,000 [21.39]	73,000 [21.39]
EER/SEER <sup>2</sup>	11.2/NA	11.2/NA	11.2/NA	11.2/NA
Nominal CFM/AHRI Rated CFM [L/s]	2400/2050 [1133/967]	2400/2050 [1133/967]	2400/2050 [1133/967]	2400/2050 [1133/967]
AHRI Net Cooling Capacity Btu [kW]	70,000 [20.51]	70,000 [20.51]	70,000 [20.51]	70,000 [20.51]
Net Sensible Capacity Btu [kW]	49,700 [14.56]	49,700 [14.56]	49,700 [14.56]	49,700 [14.56]
Net Latent Capacity Btu [kW]	20,300 [5.95]	20,300 [5.95]	20,300 [5.95]	20,300 [5.95]
IEER <sup>3</sup>	11.7	11.7	11.7	11.7
Net System Power kW	6.21	6.21	6.21	6.21
<b>Compressor</b>				
No./Type	1/Scroll	1/Scroll	1/Scroll	1/Scroll
<b>Outdoor Sound Rating (dB)<sup>4</sup></b>	83	83	83	83
<b>Outdoor Coil—Fin Type</b>	Louvered	Louvered	Louvered	Louvered
Tube Type	Rifled	Rifled	Rifled	Rifled
Tube Size in. [mm] OD	0.375 [9.5]	0.375 [9.5]	0.375 [9.5]	0.375 [9.5]
Face Area sq. ft. [sq. m]	16.56 [1.54]	16.56 [1.54]	16.56 [1.54]	16.56 [1.54]
Rows / FPI [FPcm]	2 / 22 [9]	2 / 22 [9]	2 / 22 [9]	2 / 22 [9]
<b>Indoor Coil—Fin Type</b>	Corrugated	Corrugated	Corrugated	Corrugated
Tube Type	Rifled	Rifled	Rifled	Rifled
Tube Size in. [mm]	0.375 [9.5]	0.375 [9.5]	0.375 [9.5]	0.375 [9.5]
Face Area sq. ft. [sq. m]	6.5 [0.6]	6.5 [0.6]	6.5 [0.6]	6.5 [0.6]
Rows / FPI [FPcm]	4 / 12 [5]	4 / 12 [5]	4 / 12 [5]	4 / 12 [5]
Refrigerant Control	TX Valves	TX Valves	TX Valves	TX Valves
Drain Connection No./Size in. [mm]	1/1 [25.4]	1/1 [25.4]	1/1 [25.4]	1/1 [25.4]
<b>Outdoor Fan—Type</b>	Propeller	Propeller	Propeller	Propeller
No. Used/Diameter in. [mm]	1/24 [609.6]	1/24 [609.6]	1/24 [609.6]	1/24 [609.6]
Drive Type/No. Speeds	Direct/1	Direct/1	Direct/1	Direct/1
CFM [L/s]	4000 [1888]	4000 [1888]	4000 [1888]	4000 [1888]
No. Motors/HP	1 at 1/3 HP	1 at 1/3 HP	1 at 1/3 HP	1 at 1/3 HP
Motor RPM	1075	1075	1075	1075
<b>Indoor Fan—Type</b>	FC Centrifugal	FC Centrifugal	FC Centrifugal	FC Centrifugal
No. Used/Diameter in. [mm]	1/11x10 [279x254]	1/11x10 [279x254]	1/11x10 [279x254]	1/11x10 [279x254]
Drive Type/No. Speeds	Belt/Variable	Belt/Variable	Belt/Variable	Belt/Variable
No. Motors	1	1	1	1
Motor HP	1 1/2	1 1/2	1 1/2	1 1/2
Motor RPM	1725	1725	1725	1725
Motor Frame Size	0	0	0	0
<b>Filter—Type</b>	Disposable	Disposable	Disposable	Disposable
Furnished	Yes	Yes	Yes	Yes
(No.) Size Recommended in. [mm]	(4)2x16x16 [51x406x406]	(4)2x16x16 [51x406x406]	(4)2x16x16 [51x406x406]	(4)2x16x16 [51x406x406]
<b>Refrigerant Charge Oz. [g]</b>	191 [5415]	191 [5415]	191 [5415]	191 [5415]
<b>Weights</b>				
Net Weight lbs. [kg]	569 [258]	569 [258]	569 [258]	569 [258]
Ship Weight lbs. [kg]	576 [261]	576 [261]	576 [261]	576 [261]

[ ] Designates Metric Conversions

### NOTES:

- Cooling Performance is rated at 95° F ambient, 80° F entering dry bulb, 67° F entering wet bulb. Gross capacity does not include the effect of fan motor heat. AHRI capacity is net and includes the effect of fan motor heat. Units are suitable for operation to ±20% of nominal cfm. Units are certified in accordance with the Unitary Air Conditioner Equipment certification program, which is based on AHRI Standard 210/240 or 360.
- EER and/or SEER are rated at AHRI conditions and in accordance with DOE test procedures.
- IEER is rated in accordance with AHRI Standard 210/240 or 360.
- Outdoor Sound Rating shown is tested in accordance with AHRI Standard 270.



## NOMINAL SIZES 6 TONS [21.1 kW] ASHRAE 90.1-1999 COMPLIANT MODELS

Model RLKL - Series	B072YL	B072YM
<b>Cooling Performance<sup>1</sup></b>		
Gross Cooling Capacity Btu [kW]	73,000 [21.39]	73,000 [21.39]
EER/SEER <sup>2</sup>	11.2/NA	11.2/NA
Nominal CFM/AHRI Rated CFM [L/s]	2400/2050 [1133/967]	2400/2050 [1133/967]
AHRI Net Cooling Capacity Btu [kW]	70,000 [20.51]	70,000 [20.51]
Net Sensible Capacity Btu [kW]	49,700 [14.56]	49,700 [14.56]
Net Latent Capacity Btu [kW]	20,300 [5.95]	20,300 [5.95]
IEER <sup>3</sup>	11.7	11.7
Net System Power kW	6.21	6.21
<b>Compressor</b>		
No./Type	1/Scroll	1/Scroll
<b>Outdoor Sound Rating (dB)<sup>4</sup></b>		
	83	83
<b>Outdoor Coil—Fin Type</b>		
Tube Type	Louvered	Louvered
Tube Type	Rifled	Rifled
Tube Size in. [mm] OD	0.375 [9.5]	0.375 [9.5]
Face Area sq. ft. [sq. m]	16.56 [1.54]	16.56 [1.54]
Rows / FPI [FPcm]	2 / 22 [9]	2 / 22 [9]
<b>Indoor Coil—Fin Type</b>		
Tube Type	Corrugated	Corrugated
Tube Type	Rifled	Rifled
Tube Size in. [mm]	0.375 [9.5]	0.375 [9.5]
Face Area sq. ft. [sq. m]	6.5 [0.6]	6.5 [0.6]
Rows / FPI [FPcm]	4 / 12 [5]	4 / 12 [5]
Refrigerant Control	TX Valves	TX Valves
Drain Connection No./Size in. [mm]	1/1 [25.4]	1/1 [25.4]
<b>Outdoor Fan—Type</b>		
	Propeller	Propeller
No. Used/Diameter in. [mm]	1/24 [609.6]	1/24 [609.6]
Drive Type/No. Speeds	Direct/1	Direct/1
CFM [L/s]	4000 [1888]	4000 [1888]
No. Motors/HP	1 at 1/3 HP	1 at 1/3 HP
Motor RPM	1075	1075
<b>Indoor Fan—Type</b>		
	FC Centrifugal	FC Centrifugal
No. Used/Diameter in. [mm]	1/11x10 [279x254]	1/11x10 [279x254]
Drive Type/No. Speeds	Belt/Variable	Belt/Variable
No. Motors	1	1
Motor HP	1 1/2	1 1/2
Motor RPM	1725	1725
Motor Frame Size	0	0
<b>Filter—Type</b>		
	Disposable	Disposable
Furnished	Yes	Yes
(No.) Size Recommended in. [mm]	(4)2x16x16 [51x406x406]	(4)2x16x16 [51x406x406]
<b>Refrigerant Charge Oz. [g]</b>		
	191 [5415]	191 [5415]
<b>Weights</b>		
Net Weight lbs. [kg]	569 [258]	569 [258]
Ship Weight lbs. [kg]	576 [261]	576 [261]

[ ] Designates Metric Conversions

### NOTES:

- Cooling Performance is rated at 95° F ambient, 80° F entering dry bulb, 67° F entering wet bulb. Gross capacity does not include the effect of fan motor heat. AHRI capacity is net and includes the effect of fan motor heat. Units are suitable for operation to ±20% of nominal cfm. Units are certified in accordance with the Unitary Air Conditioner Equipment certification program, which is based on AHRI Standard 210/240 or 360.
- EER and/or SEER are rated at AHRI conditions and in accordance with DOE test procedures.
- IEER is rated in accordance with AHRI Standard 210/240 or 360.
- Outdoor Sound Rating shown is tested in accordance with AHRI Standard 270.



## GROSS SYSTEMS PERFORMANCE DATA—RLKL-B072

ENTERING INDOOR AIR @ 80°F [26.7°C] dbE ①											
wbE		71°F [21.7°C]			67°F [19.4°C]			63°F [17.2°C]			
CFM [L/s]		2460 [1161]	2050 [967]	1660 [783]	2460 [1161]	2050 [967]	1660 [783]	2460 [1161]	2050 [967]	1660 [783]	
DR ①		.0	.06	.12	.0	.06	.12	.0	.06	.12	
OUTDOOR DRY BULB TEMPERATURE °F [°C]	75 [23.9]	Total BTUH [kW] Sens BTUH [kW] Power	80.9 [23.7] 47.6 [14.0] 4.0	78.0 [22.9] 40.6 [11.9] 4.0	75.3 [22.1] 34.5 [10.1] 3.9	78.8 [23.1] 61.1 [17.9] 4.0	76.1 [22.3] 53.2 [15.6] 3.9	73.4 [21.5] 46.0 [13.5] 3.9	74.2 [21.7] 68.3 [20.0] 4.0	71.6 [21.0] 59.9 [17.6] 3.9	69.2 [20.3] 52.4 [15.4] 3.8
	80 [26.7]	Total BTUH [kW] Sens BTUH [kW] Power	80.8 [23.7] 48.0 [14.1] 4.3	77.9 [22.8] 41.0 [12.0] 4.3	75.2 [22.0] 34.9 [10.2] 4.2	78.7 [23.1] 61.6 [18.1] 4.3	76.0 [22.3] 53.6 [15.7] 4.2	73.3 [21.5] 46.4 [13.6] 4.2	74.1 [21.7] 68.8 [20.2] 4.3	71.5 [21.0] 60.3 [17.7] 4.2	69.0 [20.2] 52.7 [15.5] 4.1
	85 [29.4]	Total BTUH [kW] Sens BTUH [kW] Power	80.2 [23.5] 48.0 [14.1] 4.7	77.4 [22.7] 41.1 [12.1] 4.6	74.7 [21.9] 35.0 [10.3] 4.5	78.2 [22.9] 61.8 [18.1] 4.6	75.5 [22.1] 53.8 [15.8] 4.6	72.8 [21.3] 46.6 [13.7] 4.5	73.6 [21.6] 68.9 [20.2] 4.6	71.0 [20.8] 60.4 [17.7] 4.5	68.6 [20.1] 52.9 [15.5] 4.4
	90 [32.2]	Total BTUH [kW] Sens BTUH [kW] Power	79.3 [23.2] 47.8 [14.0] 5.0	76.5 [22.4] 40.9 [12.0] 4.9	73.9 [21.7] 34.9 [10.2] 4.8	77.3 [22.7] 61.4 [18.0] 5.0	74.6 [21.9] 53.5 [15.7] 4.9	72.0 [21.1] 46.4 [13.6] 4.8	72.7 [21.3] 68.7 [20.1] 4.9	70.1 [20.5] 60.2 [17.7] 4.9	67.7 [19.8] 52.7 [15.5] 4.8
	95 [35]	Total BTUH [kW] Sens BTUH [kW] Power	78.0 [22.9] 47.2 [13.8] 5.4	75.2 [22.0] 40.4 [11.9] 5.3	72.6 [21.3] 34.4 [10.1] 5.2	75.9 [22.2] 60.8 [17.8] 5.3	73.3 [21.5] 53.0 [15.5] 5.2	70.7 [20.7] 45.9 [13.5] 5.2	71.3 [20.9] 68.0 [19.9] 5.3	68.8 [20.2] 59.7 [17.5] 5.2	66.5 [19.5] 52.3 [15.3] 5.1
	100 [37.8]	Total BTUH [kW] Sens BTUH [kW] Power	76.2 [22.3] 46.1 [13.5] 5.8	73.6 [21.6] 39.6 [11.6] 5.7	71.0 [20.8] 33.7 [9.9] 5.6	74.2 [21.7] 59.8 [17.5] 5.7	71.6 [21.0] 52.1 [15.3] 5.6	69.1 [20.3] 45.2 [13.3] 5.5	69.6 [20.4] 67.0 [19.6] 5.7	67.2 [19.7] 58.9 [17.3] 5.6	64.8 [19.0] 51.5 [15.1] 5.5
	105 [40.6]	Total BTUH [kW] Sens BTUH [kW] Power	74.1 [21.7] 44.8 [13.1] 6.2	71.5 [21.0] 38.4 [11.3] 6.1	69.0 [20.2] 32.7 [9.6] 6.0	72.1 [21.1] 58.5 [17.2] 6.1	69.5 [20.4] 50.9 [14.9] 6.0	67.1 [19.7] 44.2 [13.0] 5.9	67.5 [19.8] 65.7 [19.3] 6.1	65.1 [19.1] 57.7 [16.9] 6.0	62.8 [18.4] 50.5 [14.8] 5.9
	110 [43.3]	Total BTUH [kW] Sens BTUH [kW] Power	71.6 [21.0] 43.2 [12.7] 6.6	69.1 [20.3] 37.0 [10.9] 6.5	66.7 [19.5] 31.5 [9.2] 6.4	69.5 [20.4] 56.7 [16.6] 6.5	67.1 [19.7] 49.5 [14.5] 6.4	64.8 [19.0] 43.0 [12.6] 6.3	64.9 [19.0] 64.0 [18.8] 6.5	62.6 [18.3] 56.2 [16.5] 6.4	60.5 [17.7] 49.3 [14.5] 6.3
	115 [46.1]	Total BTUH [kW] Sens BTUH [kW] Power	68.6 [20.1] 41.1 [12.1] 7.0	66.2 [19.4] 35.2 [10.3] 6.9	63.9 [18.7] 30.0 [8.8] 6.8	66.6 [19.5] 54.8 [16.1] 7.0	64.2 [18.8] 47.7 [14.0] 6.9	62.0 [18.2] 41.5 [12.2] 6.8	62.0 [18.2] 62.0 [18.2] 6.9	59.8 [17.5] 54.5 [16.0] 6.8	57.7 [16.9] 47.7 [14.0] 6.7

DR —Depression ratio  
dbE —Entering air dry bulb  
wbE—Entering air wet bulb

Total —Total capacity x 1000 BTUH  
Sens —Sensible capacity x 1000 BTUH  
Power—KW input

NOTES: ① When the entering air dry bulb is other than 80°F [27°C], adjust the sensible capacity from the table by adding [1.10 x CFM x (1 - DR) x (dbE - 80)].

[ ] Designates Metric Conversions





### ELECTRICAL DATA – RLKL SERIES

		<b>B072CL</b>	<b>B072CM</b>	<b>B072DL</b>	<b>B072DM</b>	<b>B072YL</b>	<b>B072YM</b>
<b>Unit Information</b>	Unit Operating Voltage Range	187-253	187-253	414-506	414-506	518-632	518-632
	Volts	208/230	208/230	460	460	575	575
	Minimum Circuit Ampacity	33/33	33/33	17	17	13	13
	Minimum Overcurrent Protection Device Size	40/40	40/40	20	20	15	15
	Maximum Overcurrent Protection Device Size	50/50	50/50	20	20	15	15
<b>Compressor Motor</b>	No.	1	1	1	1	1	1
	Volts	208/230	208/230	460	460	575	575
	Phase	3	3	3	3	3	3
	RPM	3450	3450	3450	3450	3450	3450
	HP, Compressor 1	5	5	5	5	5	5
	Amps (RLA), Comp. 1	19.1/0	19.1/0	9.8	9.8	7.5	7.5
	Amps (LRA), Comp. 1	123/0	123/0	62	62	50	50
<b>Condenser Motor</b>	No.	1	1	1	1	1	1
	Volts	208/230	208/230	460	460	575	575
	Phase	1	1	1	1	1	1
	HP	1/3	1/3	3-Jan	3-Jan	1/3	1/3
	Amps (FLA, each)	2.6/2.6	2.6/2.6	1.25	1.25	0.9	0.9
	Amps (LRA, each)	4.7/4.7	4.7/4.7	2.4	2.4	1.5	1.5
<b>Evaporator Fan</b>	No.	1	1	1	1	1	1
	Volts	208/230	208/230	460	460	575	575
	Phase	3	3	3	3	3	3
	HP	1 1/2	1 1/2	1 1/2	1 1/2	1 1/2	1 1/2
	Amps (FLA)	5.8/5.8	5.8/5.8	2.8	2.8	2.1	2.1
	Amps (LRA)	34/34	34/34	17	17	13.1	13.1

## 208-240 VOLT, THREE PHASE, 60 HZ, AUXILIARY ELECTRIC HEATER KITS CHARACTERISTICS AND APPLICATION

Separate Power Supply For Both Unit and Heater Kit												
Unit Model No. RLKL-	Single Power Supply For Both Unit and Heater Kit						Separate Power Supply For Both Unit and Heater Kit					
	Heater Kit			Air Conditioner			Heater Kit			Air Conditioner		
	RXJJ-Heater Kit Nominal kW	No. of Sequence Steps	Rated Heater kW @ 208-240 V	Heater KBTU/Hr @ 208-240 V	Heater Amp. @ 208-240 V	Unit Min. Ckt. Ampacity @ 208-240 V	Over Current Protective Device Size		Min. Ckt. Ampacity 208/240V	Max. Fuse Size 208/240V	Min. Circuit Ampacity 208-240 V	Over Current Protective Device Size
						Min./Max. @ 208 V	Min./Max. @ 240 V				Min./Max. @ 208 V	Min./Max. @ 240 V
B072CL	No Heat	—	—	—	—	33/33	40/50	33/33	—	33/33	40/50	40/50
	A06C	4.2/5.6	14.33/19.1	11.7/13.5	33/33	40/50	40/50	15/17	15/20	—	—	—
	A10C	7.2/9.6	24.56/32.75	20/23.1	33/37	40/50	40/50	25/29	25/30	—	—	—
	A15C	10.8/14.4	36.84/49.13	30.1/34.7	45/51	45/50	60/60	38/44	40/45	—	—	—
	A20C	14.4/19.2	49.13/65.5	40/46.3	58/66	60/60	70/70	50/58	50/60	—	—	—
A24C	18/24	61.41/81.88	50/57.7	70/80	70/70	80/80	63/73	70/80	—	—	—	
B072CM	No Heat	—	—	—	33/33	40/50	40/50	15/17	15/20	33/33	40/50	40/50
	A06C	4.2/5.6	14.33/19.1	11.7/13.5	33/33	40/50	40/50	25/29	25/30	—	—	—
	A10C	7.2/9.6	24.56/32.75	20/23.1	33/37	40/50	40/50	38/44	40/45	—	—	—
	A15C	10.8/14.4	36.84/49.13	30.1/34.7	45/51	45/50	60/60	50/58	50/60	—	—	—
	A20C	14.4/19.2	49.13/65.5	40/46.3	58/66	60/60	70/70	63/73	70/80	—	—	—
A24C	18/24	61.41/81.88	50/57.7	70/80	70/70	80/80	—	—	—	—	—	

## 480 VOLT, THREE PHASE, 60 HZ, AUXILIARY ELECTRIC HEATER KITS CHARACTERISTICS AND APPLICATION

Separate Power Supply For Both Unit and Heater Kit												
Unit Model No. RLKL-	Single Power Supply For Both Unit and Heater Kit						Separate Power Supply For Both Unit and Heater Kit					
	Heater Kit			Air Conditioner			Heater Kit			Air Conditioner		
	RXJJ-Heater Kit Nominal kW	No. of Sequence Steps	Rated Heater kW @ 480 V	Heater KBTU/Hr @ 480 V	Heater Amp. @ 480 V	Unit Min. Ckt. Ampacity @ 480 V	Over Current Protective Device Size		Min. Ckt. Ampacity 480V	Max. Fuse Size 480V	Min. Circuit Ampacity 480 V	Over Current Protective Device Size
						Min./Max. @ 480 V	Min./Max. @ 480 V				Min./Max. @ 480 V	Min./Max. @ 480 V
B072DL	No Heat	—	—	—	17	20/20	—	—	—	17	20/20	—
	A06D	5.6	19.1	6.8	17	20/25	—	9	15	—	—	—
	A10D	9.6	32.75	11.6	19	20/25	—	15	15	—	—	—
	A15D	14.4	49.13	17.4	26	30/30	—	22	25	—	—	—
	A20D	19.2	65.5	23.3	33	35/35	—	30	30	—	—	—
A24D	24	81.88	28.9	40	40/40	—	37	40	—	—	—	
B072DM	No Heat	—	—	—	17	20/20	—	—	—	17	20/20	—
	A06D	5.6	19.1	6.8	17	20/25	—	9	15	—	—	—
	A10D	9.6	32.75	11.6	19	20/25	—	15	15	—	—	—
	A15D	14.4	49.13	17.4	26	30/30	—	22	25	—	—	—
	A20D	19.2	65.5	23.3	33	35/35	—	30	30	—	—	—
A24D	24	81.88	28.9	40	40/40	—	37	40	—	—	—	

\* = For Canadian use only. Uses "pr" fuses for inductive circuit.

+ = Field installed only.

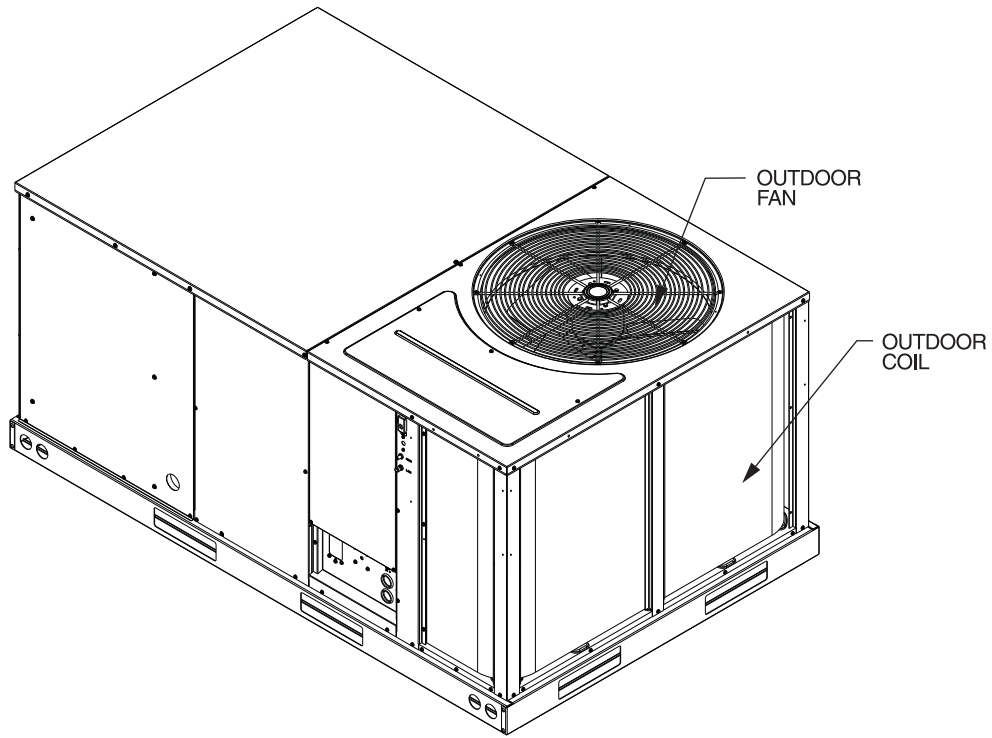
**600 VOLT, THREE PHASE, 60 HZ, AUXILIARY ELECTRIC HEATER KITS CHARACTERISTICS AND APPLICATION****Single Power Supply For Both Unit and Heater Kit**

Unit Model No. RLKL-	Single Power Supply For Both Unit and Heater Kit						Separate Power Supply For Both Unit and Heater Kit					
	Heater Kit			Air Conditioner			Heater Kit			Air Conditioner		
	RXJJ- Heater Kit Nominal kW	No. of Sequence Steps	Rated Heater kW @ 600 V	Heater KBTU/Hr @ 600 V	Heater Amp. @ 600 V	Unit Min. Ckt. Ampacity @ 600 V	Over Current Protective Device Size Min./Max. @ 600 V	Min. Ckt. Ampacity 600V	Max. Fuse Size 600V	Min. Circuit Ampacity 600 V	Over Current Protective Device Size Min./Max. @ 600 V	Min./Max. @ 600 V
B072YL	No Heat	—	—	—	—	13	15/15	—	—	13	15/15	—
	A15Y	1	14.4	49.13	13.9	20	20/20	18	20	—	—	—
	A20Y	1	19.2	65.5	18.8	27	30/30	24	25	—	—	—
B072YM	A24Y	1	24	81.88	23.1	32	35/35	29	30	—	—	—
	No Heat	—	—	—	—	13	15/15	—	—	13	15/15	—
	A15Y	1	14.4	49.13	13.9	20	20/20	18	20	—	—	—
B072YM	A20Y	1	19.2	65.5	18.8	27	30/30	24	25	—	—	—
	A24Y	1	24	81.88	23.1	32	35/35	29	30	—	—	—

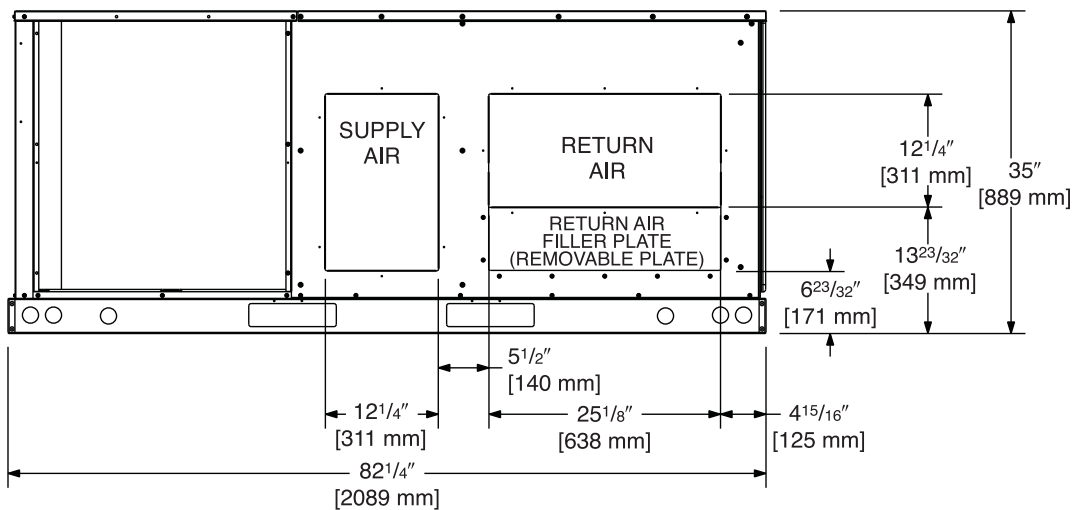
\* = For Canadian use only. Uses "p" fuses for inductive circuit.

+ = Field installed only.

# RLKL-B 6 TON [21.1 kW] MODEL

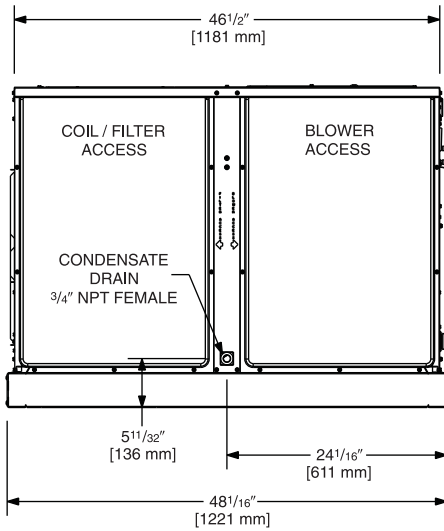


## BACK VIEW



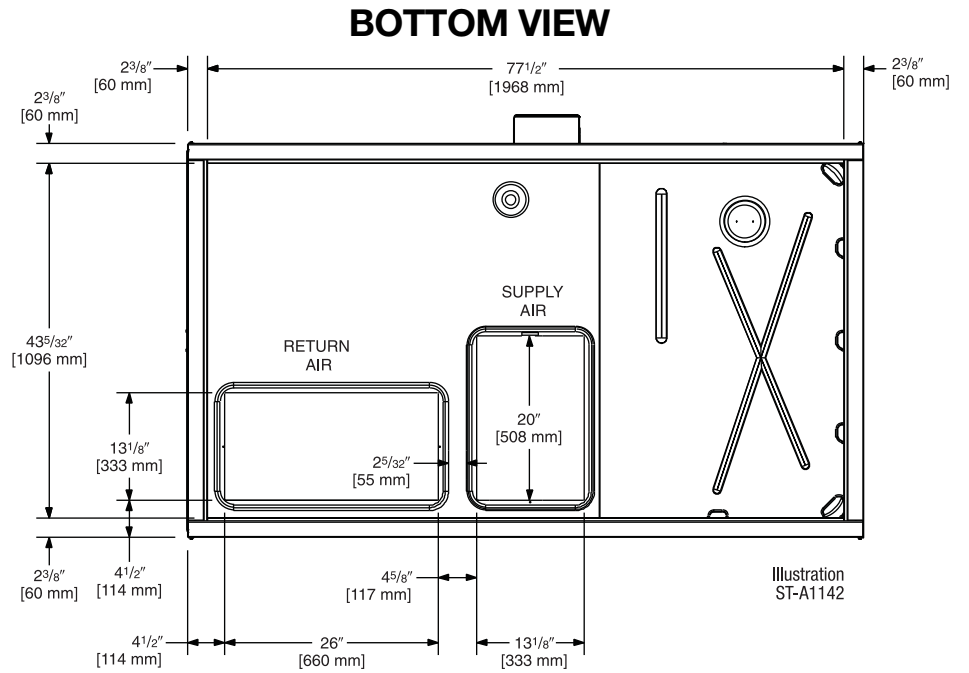
[ ] Designates Metric Conversions

# RLKL-B 6 TON [21.1 kW] MODEL



**SIDE VIEW**

Illustration  
ST-A1142



**BOTTOM VIEW**

Illustration  
ST-A1142

**FRONT VIEW**

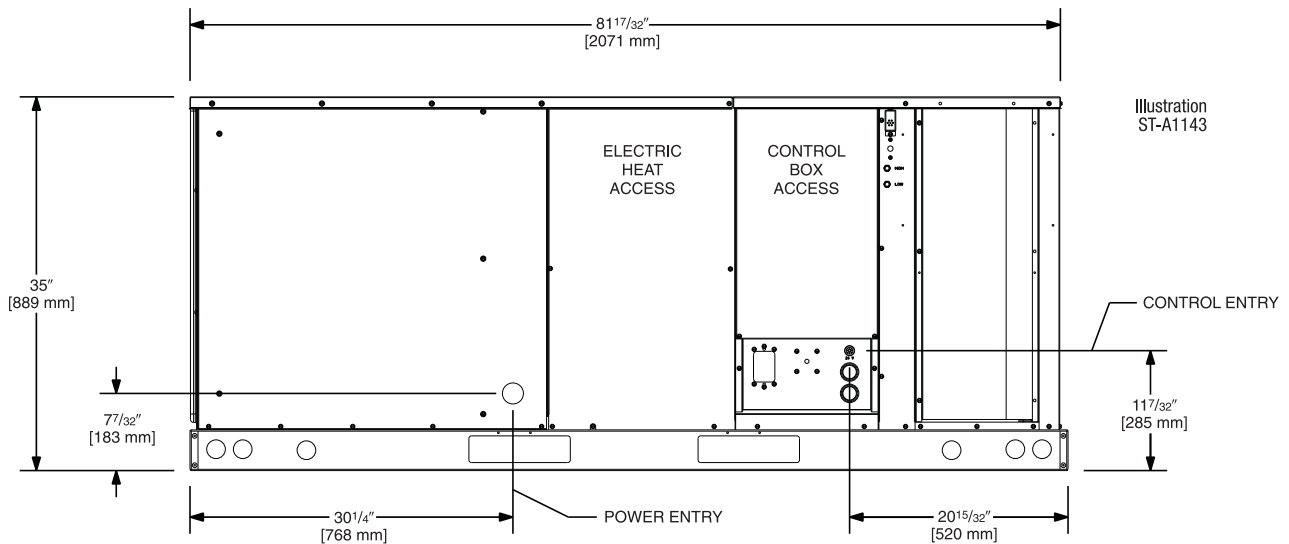


Illustration  
ST-A1143

[ ] Designates Metric Conversions



## WEIGHTS

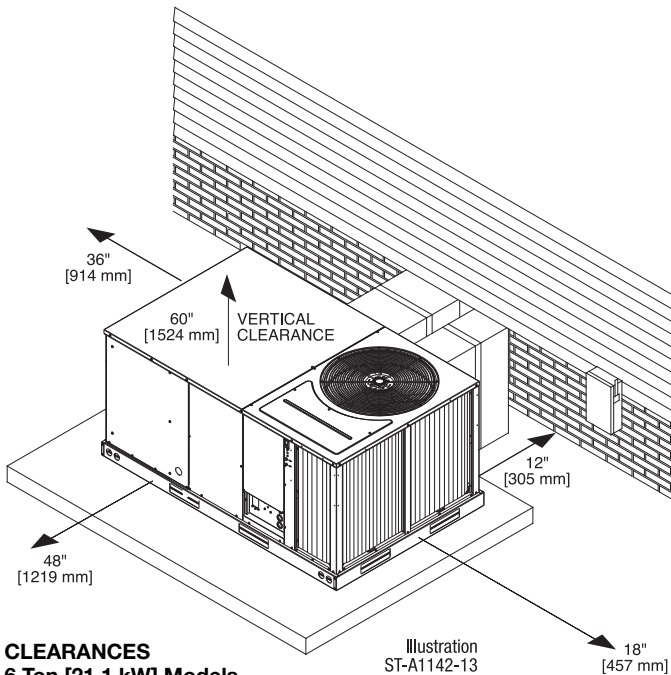
Accessory	6 Ton [21.1 kW]	
	Operating lbs [kg]	Operating lbs [kg]
Economizer with Single Enthalpy, Downflow/Sideflow	80 [36]	70 [32]
Power Exhaust	21 [10]	17 [8]
Fresh Air Damper (Manual)	14 [6]	12 [5]
Fresh Air Damper (Motorized)	16 [7]	14 [6]
Roof Curb 14"	92 [42]	88 [40]
Roof Curb 24"	108 [49]	104 [47]
Concentric Diffuser 18" Flush	37 [17]	26 [12]
Concentric Diffuser 20" Flush	54 [24]	42 [19]
Side Discharge Concentric Diffuser RXRN-FA60	—	—
Side Discharge Concentric Diffuser RXRN-FA65	55 [25]	40 [18]

## CLEARANCES

The following minimum clearances are recommended for proper unit performance and serviceability.

Recommended Clearance in. [mm]	Location
48 [1219]	A - Front
18 [457]	B - Condenser Coil
*12 [305]	C - Duct Side
36 [914]	D - Evaporator End
60 [1524]	E - Above
*57" [1448 mm] With Economizer	

**NOTE:** Supply duct may be installed with "0" inch clearance to combustible materials, provided 1" [25.4 mm] minimum. Fiberglass insulation is applied either inside or on the outside of the duct.

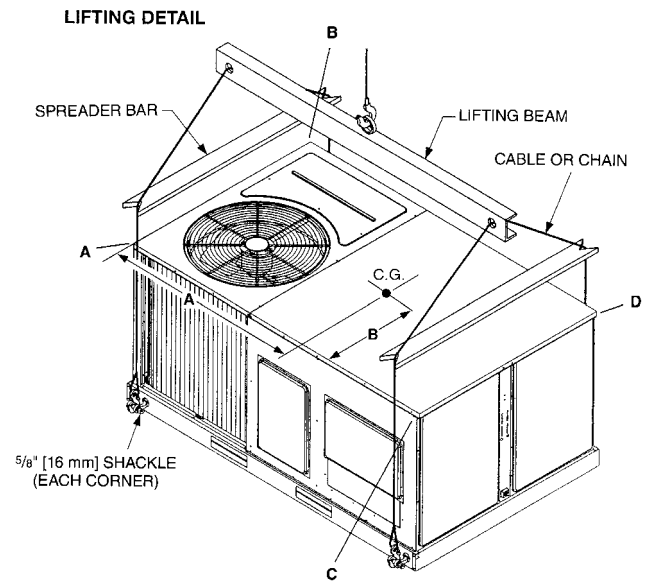


**CLEARANCES**  
6 Ton [21.1 kW] Models

## CENTER OF GRAVITY (C.G.)

Capacity Tons [kW]	A in. [mm]	B in. [mm]
6 [21.1]	39 [991]	26 <sup>1</sup> / <sub>8</sub> [664]

Capacity Tons [kW]	Corner Weights by Percentage			
	A	B	C	D
6 [21.1]	23%	29%	21%	27%



[ ] Designates Metric Conversions

## ACCESSORY EQUIPMENT

Accessory Description	Model Application	Accessory Model No.	Factory Installed
Thermostats	RLKL-B072	See Thermostat Specification Sheet (T11-001)	No
Roofcurb, 14"	RLKL-B072	RXKG-CAD14	No
Roofcurb, 24"	RLKL-B072	RXKG-CAD24	No
Roofcurb adapters	RLKL-B072	RXR-CCCE50	No
Economizer, downflow/horizontal, single enthalpy	RLKL-B072	AXRD-MCCM3	Yes
Dual enthalpy kit for economizer	RLKL-B072	RXR-AV02	No
CO <sub>2</sub> sensor	RLKL-B072	RXR-AR02	No
Power exhaust (C, D, Y voltages)	RLKL-B072	AXR-BGF03 (C,D,Y)	No
Fresh air damper, manual	RLKL-B072	AXRF-FCA1	No
Fresh air damper, motorized	RLKL-B072	AXRF-FCB1	No
Rectangular-to-round 20" duct adapters for concentric diffuser	RLKL-B072	RXMC-CC04	No
Concentric diffuser 20", step type	RLKL-B072	RXRN-FA65	No
Concentric diffuser 20", flush type	RLKL-B072	RXRN-FA75	No
Louver kit, 3-sided	RLKL-B072	AXR-AAD01B	Yes
Compressor time delay	RLKL-B072	RXMD-B04	No
Low ambient control	RLKL-B072	RXRZ-A85	Yes
Convenience outlet (requires separate power supply)	RLKL-B072	RXR-AN02	Yes
Freeze stat control	RLKL-B072	RXR-AM01	Yes

\*Voltage  
 C = 208-230 VAC-3PH-60HZ  
 D = 460 VAC-3PH-60HZ  
 Y = 575 VAC-3PH-60HZ

## ROOFCURB ADAPTER

### Old Models

**COMMERCIAL PACKAGE UNIT  
(6 TON [21.1 kW])**  
(-)-RCF, (-)-REF, (-)-RGF131 & 201, RGF150

### OLD CURB MODEL ROOFCURB ADAPTER

### NEW MODEL



[ ] Designates Metric Conversions

(1) SLOPE TYPE (2) FULL PERIMETER TYPE

## THERMOSTATS



**200-Series \***  
Programmable



**300-Series \***  
Deluxe Programmable

**400-Series \***  
Special Applications/  
Programmable



**500-Series \***  
Communicating/  
Programmable

Brand	Descriptor (3 Characters)	Series (3 Characters)	System (2 Characters)	Type (2 Characters)
RHC	-	TST	213	UN
RHC=Rheem	TST=Thermostat	200=Programmable 300=Deluxe Programmable 400=Special Applications/ Programmable 500=Communicating/ Programmable	GE=Gas/Electric UN=Universal (AC/HP/GE) MD=Modulating Furnace DF=Dual Fuel CM=Communicating	SS=Single-Stage MS=Multi-Stage

\* Photos are representative. Actual models may vary.

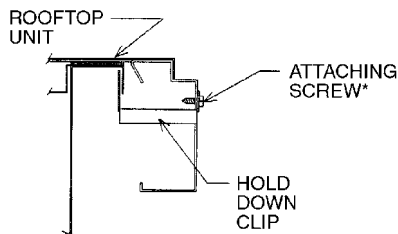
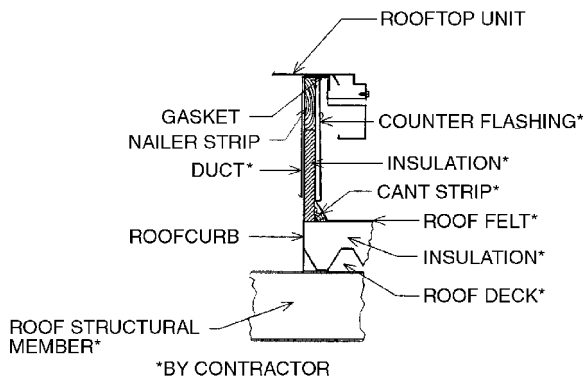
For detailed thermostat match-up information,  
see specification sheet form number T11-001.

## ROOFCURBS (Full Perimeter)

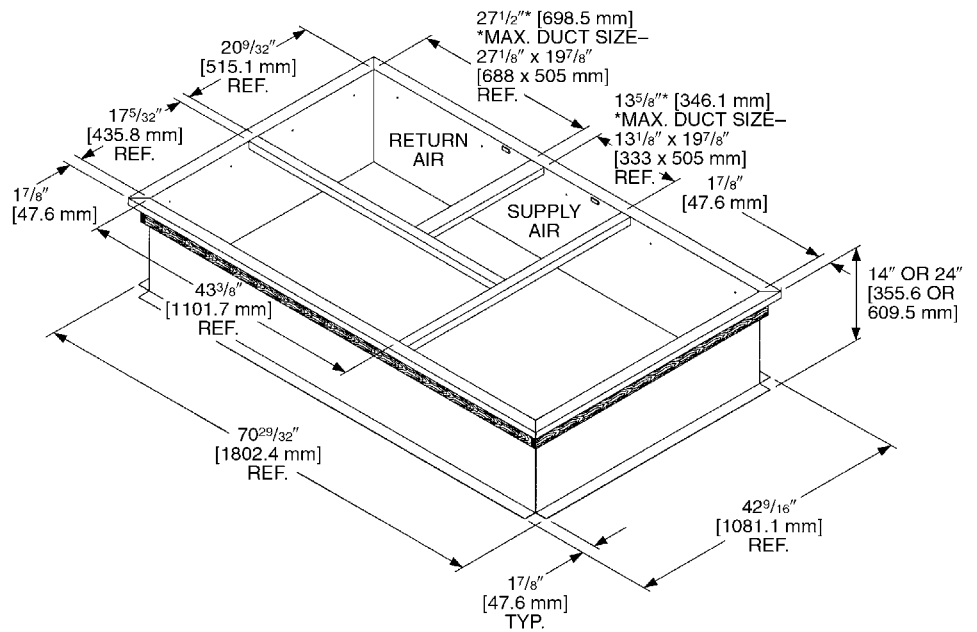
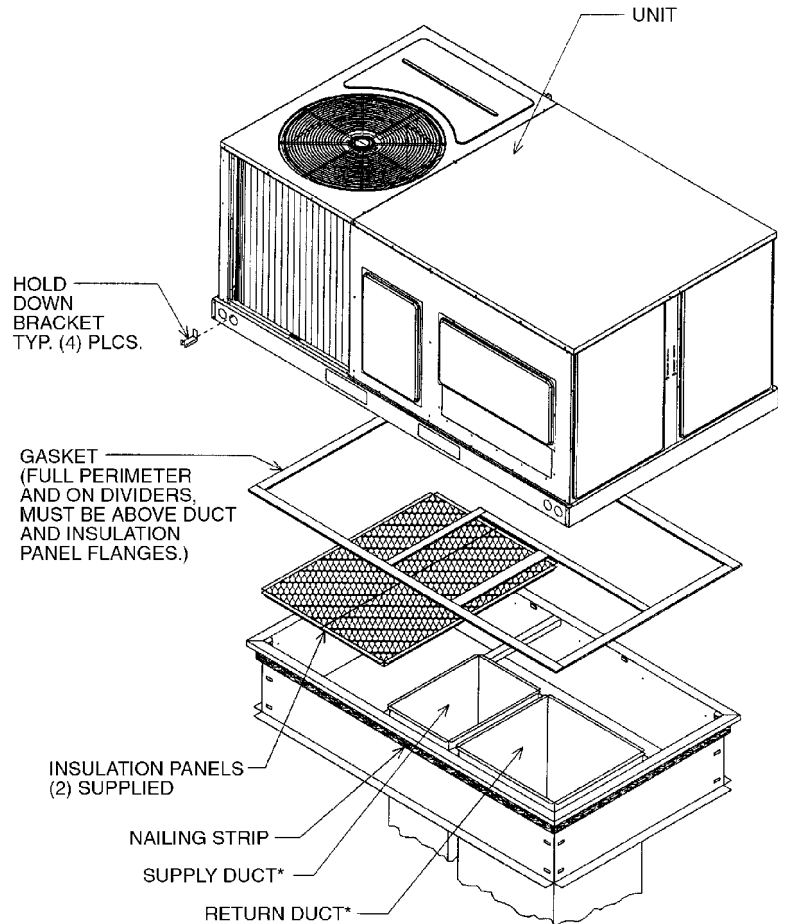
- Rheem's new roofcurb design can be utilized on 3 through 7.5 ton [21.1 kW] models.
- Two available heights (14" [356 mm] and 24" [610 mm]) for ALL models.
- Quick assembly corners for simple and fast assembly
- Opening provided in bottom pan to match the "Thru the Curb" electrical connection opening provided on the unit base pan.
- 2" [51 mm] x 4" [102 mm] Nailers provided.
- Insulating panels provided.
- Sealing gasket (28" [711 mm]) provided with Roofcurb.
- Packaged for easy field assembly.

Roofcurb Model	Height of Curb
RXKG-CAD14	14" [356 mm]
RXKG-CAD24	24" [610 mm]

[ ] Designates Metric Conversions



## TYPICAL INSTALLATION



## ECONOMIZERS

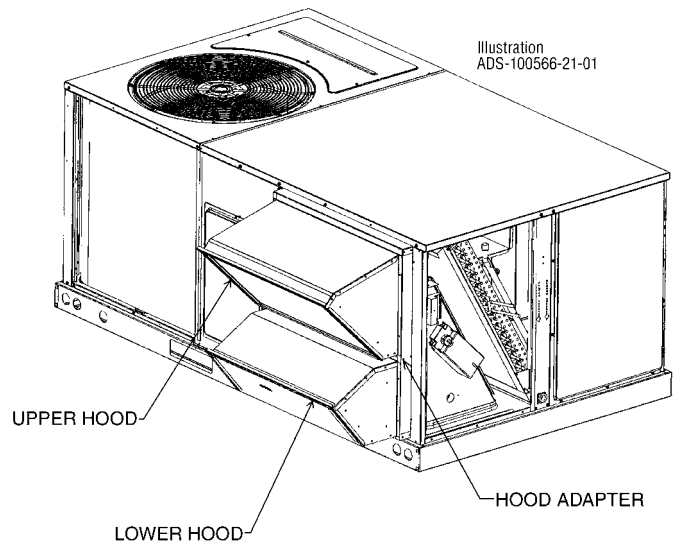
### AXRD-MCCM3—RLKL-B 6 Ton [21.1 kW] Models

### RXXR-AV02—Dual Enthalpy Kit 6 Ton [21.1 kW] Models

### RXXR-AR02—6 Ton [21.1 kW] Models Optional CO<sub>2</sub> Sensor

- Features **Honeywell** Controls
- Available factory installed or field accessory
- Gear Driven Direct Drive Actuator
- Fully Modulating (0-100%)
- Low Leakage Dampers
- Horizontal or Downflow Applications
- Slip-In Design for Easy Installations
- Plug-In Polarized Electrical Connections
- Pre-configured—No Field Adjustments Necessary
- Standard Barometric Relief Damper Provided
- Single Enthalpy with Dual Enthalpy Upgrade Kit
- CO<sub>2</sub> Input Sensor Available (Field Installed)
- Economizer slips in complete for Downflow or Horizontal Duct application
- Field Assembled Hood Ships with Economizer
- Optional Remote Minimum Position (Honeywell #S963B1128) is Available from ProStock
- Field Installed Power Exhaust Available

### AXRD-MCCM3 RLKL-B 6 Ton [21.1 kW] Models



### AXRD-MCCM3 RLKL-B 6 Ton [21.1 kW] Models

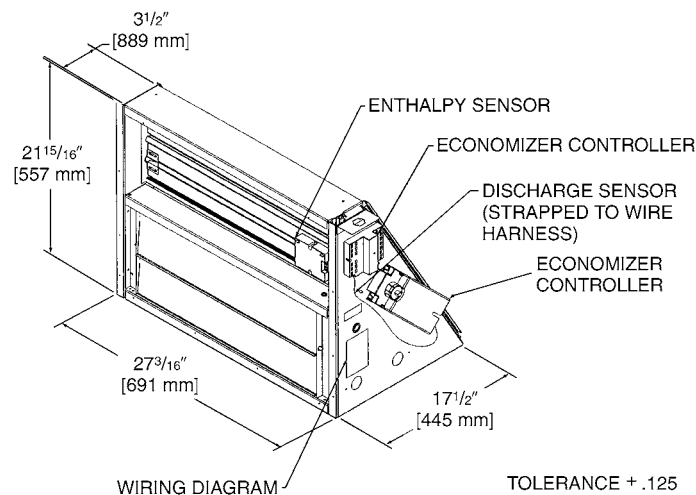


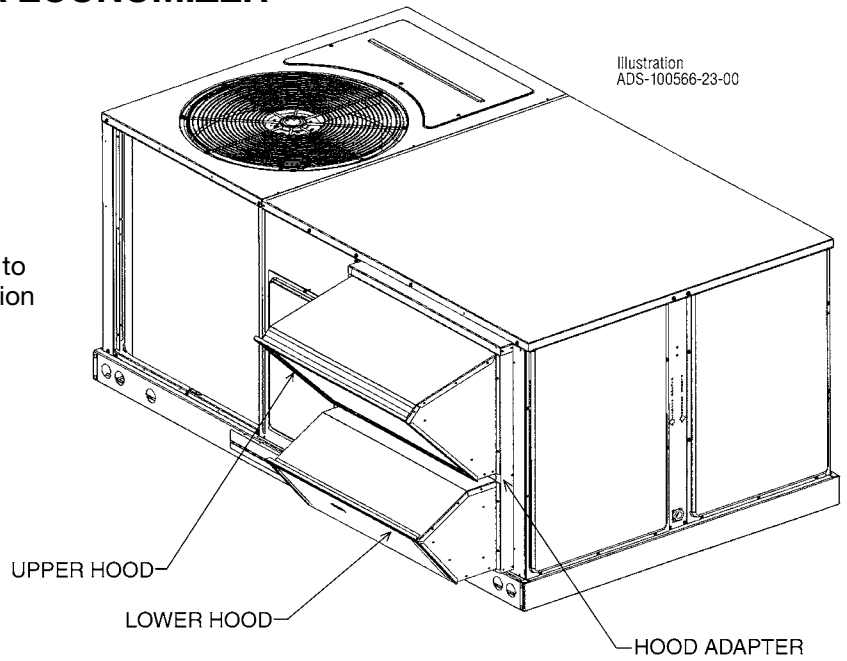
Illustration  
ADS-100566-21-01

[ ] Designates Metric Conversions

## INTEGRAL POWER EXHAUST FOR ECONOMIZER (FIELD INSTALLED ONLY)

### AXRX-BGF03—RLKL-B 6 Ton [21.1 kW] Model

- For **Honeywell** Economizer
- Downflow or horizontal applications
- Requires separate 208-230 volt – 1 PH power supply with disconnect or requires separate 460V - 1 PH power supply with disconnect.
- Adjustable switch on economizer, factory preset to energize power exhaust at 95% outside air position
- Polarized plug connects power exhaust relay to economizer



## POWER EXHAUST KIT FOR RXRD-MCCM(-), RXRD-MECM(-) ECONOMIZERS

Model No.	No. of Fans	Volts	Phase	Watts (ea.)	High Speed		FLA (ea.)	LRA (ea.)
					CFM ①	RPM		
AXRX-BGF03C	1	208/230	1	1000	2500	1725	4.4	23.7
AXRX-BGF03D	1	460	1	800	2370	1620	1.8	4.1
AXRX-BGF03Y ②	1	575	1	800	2370	1620	1.5	3.3
AXRX-BGF04C	1	208/230	1	1000	2500	1725	4.4	23.7
AXRX-BGF04D	1	460	1	800	2370	1620	1.8	4.1
AXRX-BGF04Y ②	1	575	1	800	2370	1620	1.5	3.3

① CFM is at 0" w.c. external static pressure

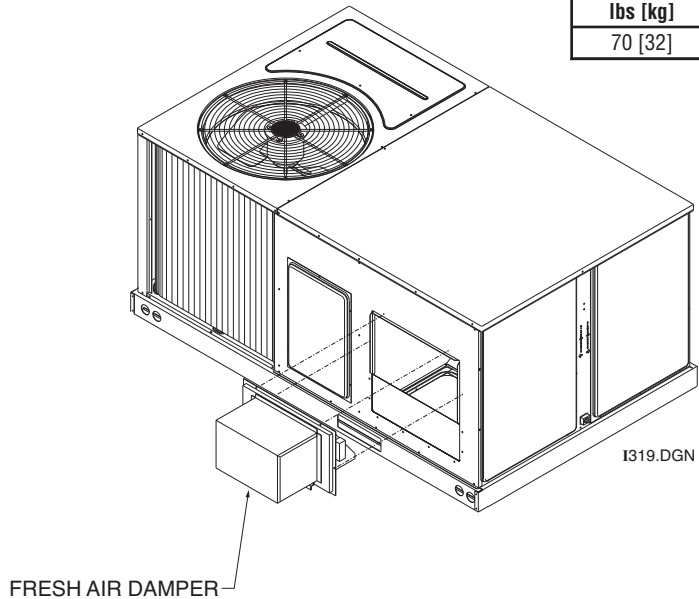
② Unit includes 575 to 460 Volt step-down transformer

Shipping lbs [kg]	Operating lbs [kg]
70 [32]	67 [30]

### RLKL-B 6 Ton [21.1 kW] Models

AXRF-FCA1 (Manual)

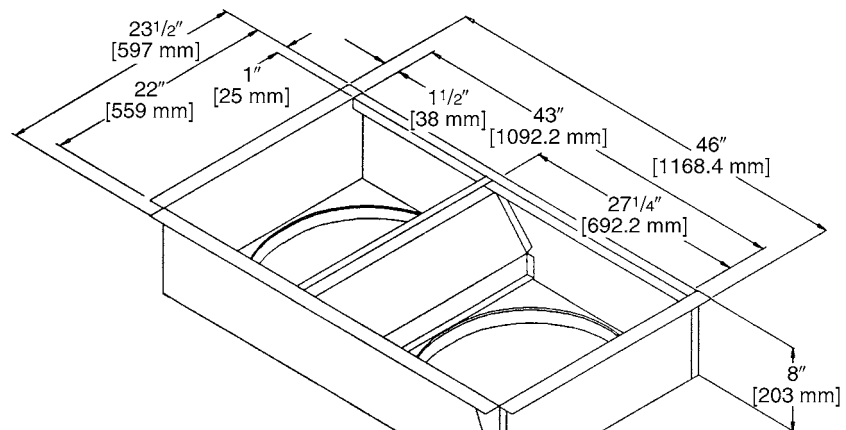
AXRF-FCB1 (Motorized)



[ ] Designates Metric Conversions

## DUCT ADAPTERS (RLKL-B 6 TON [21.1 kW] MODELS)

### Rectangular to Round Transitions (Downflow)



Accessory Model No.	Model Application Tons [kW]	Size in. [mm]
RXMC-CC04	6 [21.1]	20 [508] Round

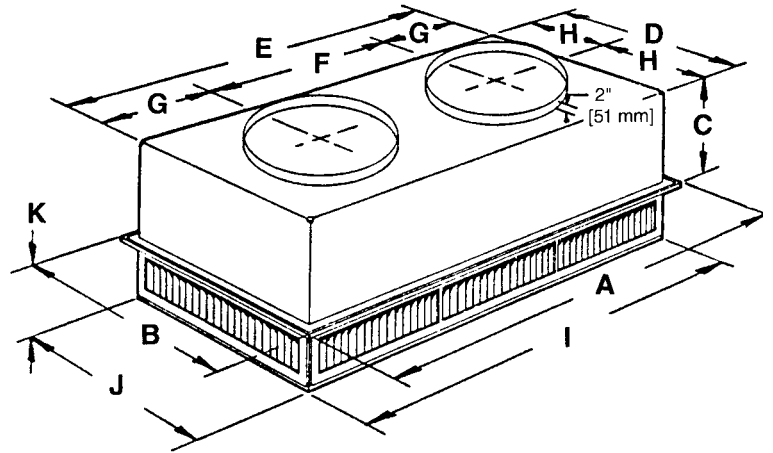
[ ] Designates Metric Conversions

PLACE 1/8" [3.18 mm] X 1/2" [12.7 mm] GASKET ON UNDERSIDE OF 1 1/2" [38.1 mm] FLANGE

## SIDE DISCHARGE CONCENTRIC DIFFUSER

RXRN-FA65 (6 Ton [21.1 kW] Models)

For Use With Duct Adapter (RXMC)



### DIMENSIONAL DATA

Model No.	A	B	C	D	E	F	G	H	I	J	K	Duct Size
RXRN-FA65	47 <sup>5</sup> / <sub>8</sub> " [1210 mm]	29 <sup>5</sup> / <sub>8</sub> " [752 mm]	14 <sup>3</sup> / <sub>8</sub> " [365 mm]	27 <sup>1</sup> / <sub>2</sub> " [699 mm]	45 <sup>1</sup> / <sub>2</sub> " [1156 mm]	22 <sup>1</sup> / <sub>2</sub> " [572 mm]	11 <sup>1</sup> / <sub>2</sub> " [292 mm]	13 <sup>3</sup> / <sub>4</sub> " [349 mm]	45 <sup>1</sup> / <sub>2</sub> " [1156 mm]	27 <sup>1</sup> / <sub>2</sub> " [699 mm]	8 <sup>1</sup> / <sub>8</sub> " [206 mm]	20RD

### ENGINEERING DATA

Model No.	CFM [L/s]	Static Pressure	Throw Feet	Neck Vel.	Jet Vel.	Noise Level
RXRN-FA65	2600 [1227]	.17	24-29	669	669	20
	2800 [1321]	.20	25-30	720	720	25
	3000 [1416]	.25	27-33	772	772	25
	3200 [1510]	.31	28-35	823	823	25
	3400 [1605]	.37	30-37	874	874	30

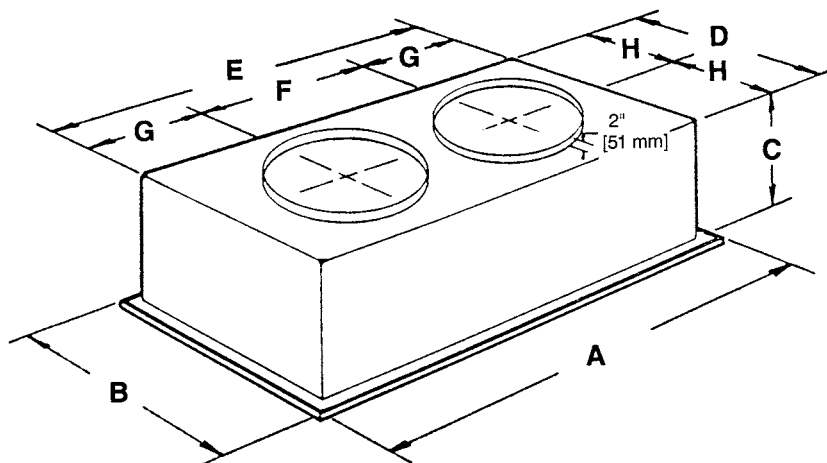
[ ] Designates Metric Conversions



# FLUSH MOUNT CONCENTRIC DIFFUSER

RXRN-FA75 (6 Ton [21.1 kW] Models)

For Use With Duct Adapter (RXMC)



## DIMENSIONAL DATA

Model No.	A	B	C	D	E	F	G	H	Duct Size
RXRN-FA75	47 <sup>5</sup> / <sub>8</sub> " [1210 mm]	29 <sup>5</sup> / <sub>8</sub> " [752 mm]	16 <sup>5</sup> / <sub>8</sub> " [422 mm]	27" [686 mm]	45 <sup>1</sup> / <sub>2</sub> " [1156 mm]	22 <sup>1</sup> / <sub>2</sub> " [572 mm]	11 <sup>1</sup> / <sub>4</sub> " [286 mm]	13 <sup>1</sup> / <sub>2</sub> " [343 mm]	20RD

## ENGINEERING DATA

Model No.	CFM [L/s]	Static Pressure	Throw Feet	Neck Vel.	Jet Vel.	Noise Level
RXRN-FA75	2600 [1227]	.17	19-24	663	1294	30
	2800 [1321]	.20	20-28	714	1393	35
	3000 [1416]	.25	21-29	765	1492	35
	3200 [1510]	.31	22-29	816	1592	40
	3400 [1605]	.37	22-30	867	1692	40

[ ] Designates Metric Conversions

## SAMPLE SPECIFICATIONS

Unit shall be completely factory assembled and performance tested to provide the required cooling and heating functions suitable for outdoor installations. Unit shall be UL/cUL listed and rated in accordance to AHRI Standard 210.

### Cabinet

Unit casing, base pan and framework shall be manufactured of galvanized sheet metal primed and finished with powder paint capable of withstanding a 1000-hour salt spray test per ASTM B 117. Unit interior cabinet surfaces shall be insulated with a minimum 1/2-inch thick foil faced insulation. Access panels shall be easily removable providing access to the blower, filter, heating compartment, and compressor/control box. Unit base rails shall be provided with fork insertion slots and rigging holes. Condensate drain pan shall be of sloped design to conform to ASHRAE 62. Unit shall be supplied ready for vertical airflow and be easily convertible to horizontal airflow at or before installation.

### Compressor(s)

Unit shall be provided with fully hermetic scroll compressor(s) with internally protected safety controls.

### Coils

The evaporator and condenser coils shall be fabricated of copper tubes with mechanically bonded aluminum plate fins. They shall be pressure tested prior to assembly into the unit, and electronically leak tested after assembly.

### Condenser Fan

A single direct drive propeller fan shall discharge air vertically upward. The fan motor shall be permanently lubricated and have built-in overload protection.

### Evaporator Blower

A single, double inlet, centrifugal wheel shall rotate in permanently lubricated ball bearings. The wheel shall be made from steel with corrosion resistant finish and shall be statically and dynamically balanced.

## ACCESSORIES

### ROOF CURB

Curb shall be full perimeter type, complying with the standards of the National Roofing Contractors Association. Design shall provide for drop-in of supply and return ducts prior to setting unit, and include an insulating panel for the rest of the curb area.

### Economizer

Economizer shall be completely assembled for field installation. Unit shall include all controls and dampers including the barometric relief damper.

### Manual Fresh Air Damper

Damper shall consist of damper and rainhood which is manually preset to admit up to 35% of outside air for field installation.

### Motorized Fresh Air Damper

Damper shall consist of motor, damper, and rainhood which can admit up to 35% of outside air for field installation.

### Electric Heat Kits

Electric heat kits shall be available in a wide range of capacity with branch circuit fusing allowing single point wiring. Kits shall be UL/cUL approved. Each kit shall be offered as a field or factory installed option.

### Pressure Controls

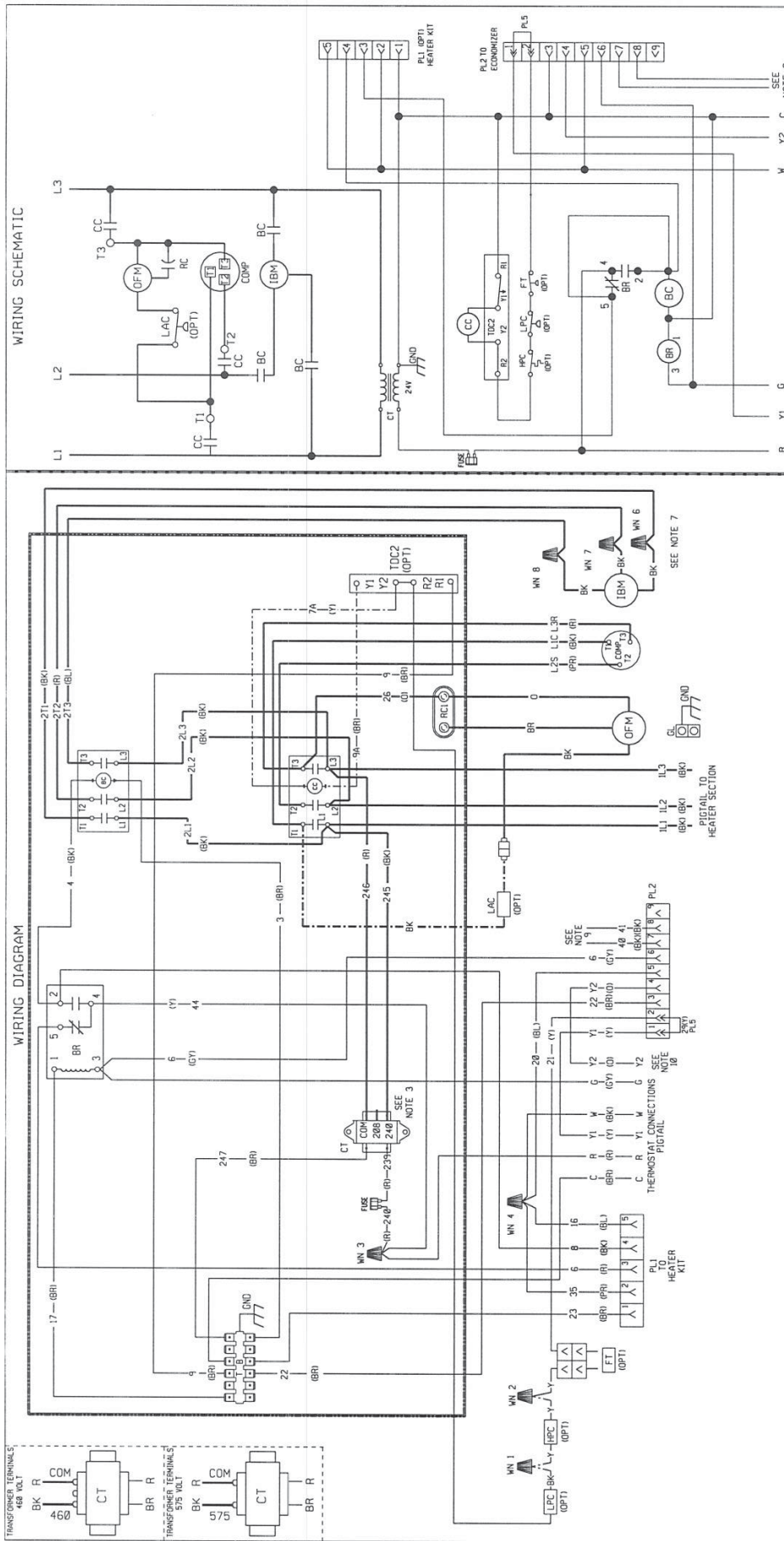
High and low pressure controls shall be included for field or factory installation.

### Low Ambient Control

Low ambient control shall be provided to cycle the condenser fan in response to condensing pressure and allow operation to 0 degrees F. The option shall be field or factory installed.

### Louver Panel Kits

Field or factory installed louver kits shall be provided for condenser coil protection against hail or flying debris.



COMPONENT CODE	NOTES:	WIRING INFORMATION	WIRE COLOR CODE
BC BLOWER MOTOR BR BLOWER RELAY COMP COMPRESSOR COMF COMPRESSOR CONTROL TRANSFORMER CC CAPACITOR FT FUSE GND GROUND LUG HPC HIGH PRESSURE CONTROL IBM80 INDOOR BLOWER MOTOR BELT DRIVE LAC LOW AMBIENT COOLING CONTROL LPC LOW PRESSURE CONTROL PFM PLUS INDOOR FAN MOTOR RC RUN CAPACITOR TB TERMINAL BLOCK (LOW VOLTAGE) TDC TIME DELAY CONTROL WN WIRE NUT	1. CONNECTORS SUITABLE FOR USE WITH COPPER CONDUCTORS ONLY. 2. COMPRESSOR MOTOR IS PRIMARY PROTECTED. USE 3 PHASE MODELS. 3. TRANSFORMER FACTORY WIRE FOR 230 VOLTS ON 'J' & 'C' MODELS. 4. SUPPLIED PIGTAIL WIRE FOR PLUGS. 5. LOW VOLTAGE CIRCUIT IS N.E.C. CLASS 2 WITH A CLASS 2 TRANSFORMER. 6. CONNECT FIELD WIRING IN GROUNDING TIGHT CONDUIT TO 60 HZ MOTOR FACTORY WIRE FOR CORRECT SPEED. 7. FUSED DISCONNECT. 8. SUPPLIED PIGTAIL ON UNIT FUSE BOX FOR FUSE SIZING AND CLASSIFICATION. 9. WIRES FROM PL2 16 & 91 GO TO THE MIXED AIR SENSOR ON THE THERMOSTAT ECONOMIZER. 10. Y2 IS USED ONLY FOR THE OPTIONAL ECONOMIZER.	LINE VOLTAGE -FACTORY STANDARD -FACTORY OPTION -FIELD INSTALLED LOW VOLTAGE -FACTORY STANDARD -FACTORY OPTION -FIELD INSTALLED REPLACEMENT WIRE -MUST BE THE SAME SIZE AND TYPE OF INSULATION AS ORIGINAL (105 C MIN.) -CABINET MUST BE PERMANENTLY GROUNDED AND CONFORM TO I.E.C., N.E.C., C.E.C. AND LOCAL CODES AS APPLICABLE.	BK BLACK BR BROWN BL BLUE G GREEN GR GRAY O ORANGE PK PINK PR PURPLE R RED W WHITE Y YELLOW
<b>ELECTRICAL WIRING DIAGRAM</b> 208/230/460/575V, 3 PHASE 60 HZ. 200/220/380/415V, 3 PHASE, 50 HZ BELT DRIVE PACKAGE AIR CONDITIONER			REV 03 DWG. NO. 90-23597-23 DATE 12-22-09 APP. BY JRJ N.E.C.

**BEFORE PURCHASING THIS APPLIANCE, READ IMPORTANT ENERGY COST AND EFFICIENCY INFORMATION AVAILABLE FROM YOUR RETAILER.**

**GENERAL TERMS OF LIMITED WARRANTY\***

Rheem will furnish a replacement for any part of this product which fails in normal use and service within the applicable periods stated, in accordance with the terms of the limited warranty.

**\*For complete details of the Limited and Conditional Warranties, including applicable terms and conditions, contact your local contractor or the Manufacturer for a copy of the product warranty certificate.**

<b>Compressor</b>	
3 Phase, Commercial Applications.....	Five (5) Years
<b>Parts</b>	
3 Phase, Commercial Applications.....	One (1) Year









The new degree of comfort.™

*In keeping with its policy of continuous progress and product improvement, Rheem reserves the right to make changes without notice.*

Rheem Heating, Cooling & Water Heating • P.O. Box 17010  
Fort Smith, Arkansas 72917 • [www.rheem.com](http://www.rheem.com)

Rheem Canada Ltd./Ltée • 125 Edgeware Road, Unit 1  
Brampton, Ontario • L6Y 0P5



INTEGRATED AIR & WATER