



# RHGL

Parts List  
11-September-2017



*This parts list is current as of the above revision date.  
See <http://www.rheempartslists.net/92-42800-RHGL.pdf> for the current revision.*

**Air Handlers - Commercial**

# Table of Contents

Model Explanation .....	Page 3
<b>Parts Numbers</b>	
Panels - Miscellaneous (Granite-Steel Gray) .....	Page 4
Panels - Miscellaneous (Neutra Green) .....	Page 5
Blower Group 090 .....	Page 6
Blower Group 120 .....	Page 7
Blower Group 180-240 .....	Page 8
Coil Parts .....	Page 9
<b>Drawings/Photographs</b>	
Exploded View 090-120 .....	Page 10
Exploded View 180-240 .....	Page 11
Notes/Disclaimer .....	Page 12

**MODEL NUMBER EXPLANATION**

<b>R</b>	<b>H</b>	<b>G</b>	<b>L</b>	<b>-</b>	<b>1</b>	<b>2</b>	<b>0</b>	<b>Z</b>	<b>K</b>
<b>1</b>	<b>2</b>	<b>3</b>	<b>4</b>			<b>5</b>		<b>6</b>	<b>7</b>

- |  |  |
|--|--|
| <p><b>1 MODEL DESIGNATION</b></p> <p><b>2 PRODUCT TYPE</b><br/>H = Air Handler</p> <p><b>3 TYPE</b><br/>G = Horizontal/Vertical</p> <p><b>4 DESIGN SERIES</b></p> <p><b>5 NOMINAL CAPACITY (BTU/HR)</b><br/>090 = 90,000<br/>120 = 120,000<br/>180 = 180,000<br/>240 = 240,000</p> | <p><b>6 ELECTRICAL DESIGNATION</b><br/>H = 115/230/1/60<br/>Y = 575/3/60<br/>Z = 208/230/460/3/60</p> <p><b>7 DRIVE PACKAGE</b><br/>K = Standard<br/>L = Optional<br/>M = Optional</p> |
|--|--|

**SERIAL NUMBER EXPLANATION (Units Produced before Nov. 2013)**

<b>0</b>	<b>6</b>	<b>0</b>	<b>F</b>	<b>0</b>	<b>1</b>	<b>9</b>	<b>2</b>	<b>9</b>	<b>9</b>	<b>9</b>	<b>9</b>	<b>9</b>
	<b>1</b>		<b>2</b>		<b>3</b>		<b>4</b>				<b>5</b>	

- 1 DRIVE COMPONENTS**
- 2 PRODUCTION LOCATION**  
F = Ft. Smith, AR
- 3 WEEK OF PRODUCTION**
- 4 YEAR OF PRODUCTION**
- 5 PRODUCTION NUMBER**

**SERIAL NUMBER EXPLANATION (Units Produced after Nov. 2013)**

<b>F</b>	<b>0</b>	<b>8</b>	<b>1</b>	<b>3</b>	<b>9</b>	<b>9</b>	<b>9</b>	<b>9</b>
<b>(1)</b>		<b>(2)</b>		<b>(3)</b>			<b>(4)</b>	

- (1) PLANT CODE**  
F = Fort Smith, AR
- (2) WEEK OF PRODUCTION**
- (3) YEAR OF PRODUCTION**
- (4) PRODUCTION NUMBER**

No.	Notes	MODEL NOMINAL CAPACITY	RHGL 090	RHGL 120
<b>PANELS, MISCELLANEOUS PARTS (Granite Steel Gray - After F4411)</b>				
1		Floor Pan w/Insulation	AS-90440-01H	AS-90440-01H
2		Center Post w/Insulation (2)	AS-90440-03H	AS-90440-03H
3		Corner Post w/Insulation (2)	AS-90440-04H	AS-90440-04H
4		Duct Flange Outlet	AE-76847-01	AE-76847-01
5		Drain Pan	See Coil Group	
6		Access Panel w/Insulation (2)	AS-90440-10H	AS-90440-10H
7		Access Panel w/Insulation (2)	AS-90440-11H	AS-90440-11H
8		Inlet Cap w/Insulation (2)	AS-90440-12H	AS-90440-12H
9a		Top Pan Insulation Assembly	AS-78097-01H	AS-78097-01H
9b		Top Pan Insulation Assembly	AS-78096-01H	AS-78096-01H
20		Top Filter Channel	AE-90373-01	AE-90373-01
22		Filter Rack	AS-90459-01	AS-90459-01
23		Hitch Pin Clip (2)	63-20878-01	63-20878-01
		Filter Block-Off	AE-90379-01	AE-90379-01
24		Filter Retainer Plate	AE-90377-01	AE-90377-01
25		Filter - Disposable (4)	54-17531-10	54-17531-10
35		Junction Box	AS-90472-01	AS-90472-01

No.	Notes	MODEL NOMINAL CAPACITY	RHGL 180	RHGL 240
<b>PANELS, MISCELLANEOUS PARTS (Granite Steel Gray - After F4411)</b>				
1a		Floor Pan w/Insulation - Left	AS-90389-02H	AS-90389-02H
1b		Floor Pan w/Insulation - Right	AS-90389-01H	AS-90389-01H
2		Center Post w/Insulation (2)	AS-90389-04H	AS-90389-04H
3		Corner Post w/Insulation (2)	AS-90389-05H	AS-90389-05H
4		Duct Flange Outlet	AE-90196-01	AE-90196-01
5		Drain Pan	See Coil Group	
6		Access Panel w/Insulation (4)	AS-90389-12H	AS-90389-12H
8		Inlet Cap w/Insulation (2)	AS-90389-13H	AS-90389-13H
10		Top Rail - Right	AS-90389-07H	AS-90389-07H
11		Top Rail - Left	AS-90389-08H	AS-90389-08H
12		Top Pan - Front	AS-90389-09H	AS-90389-09H
13		Top Pan - Rear	AS-90389-10H	AS-90389-10H
14		Top Pan - Center	AS-90389-11H	AS-90389-11H
15		Motor Mounting Plate	AE-90199-01	AE-90199-01
16		Motor Plate - Bottom	AS-71955-01	AS-71955-02
17		Motor Plate - Top	AE-90211-01	AE-90211-01
20		Top Filter Channel	AS-90416-01	AS-90416-01
21		Bottom Filter Channel	AE-90206-01	AE-90206-01
22		Center Filter Support (2)	AE-90208-01	AE-90208-01
23		Hitch Pin Clip (2)	63-20878-01	63-20878-01
24		Filter Retainer Plate	AE-90209-01	AE-90209-01
25		Filter Disposable (6)	54-17531-06	54-17531-06

No.	Notes	MODEL NOMINAL CAPACITY	RHGL 090	RHGL 120
<b>PANELS, MISCELLANEOUS PARTS (Neutra Green - Before F4411)</b>				
1		Floor Pan w/Insulation	AS-90440-01A	AS-90440-01A
2		Center Post w/Insulation (2)	AS-90440-03A	AS-90440-03A
3		Corner Post w/Insulation (2)	AS-90440-04A	AS-90440-04A
4		Duct Flange Outlet	AE-76847-01	AE-76847-01
5		Drain Pan	See Coil Group	
6		Access Panel w/Insulation (2)	AS-90440-10A	AS-90440-10A
7		Access Panel w/Insulation (2)	AS-90440-11A	AS-90440-11A
8		Inlet Cap w/Insulation (2)	AS-90440-12A	AS-90440-12A
9a		Top Pan Insulation Assembly	AS-78097-01A	AS-78097-01A
9b		Top Pan Insulation Assembly	AS-78096-01A	AS-78096-01A
20		Top Filter Channel	AE-90373-01	AE-90373-01
22		Filter Rack	AS-90459-01	AS-90459-01
23		Hitch Pin Clip (2)	63-20878-01	63-20878-01
		Filter Block-Off	AE-90379-01	AE-90379-01
24		Filter Retainer Plate	AE-90377-01	AE-90377-01
25		Filter - Disposable (4)	54-17531-10	54-17531-10
35		Junction Box	AS-90472-01	AS-90472-01

No.	Notes	MODEL NOMINAL CAPACITY	RHGL 180	RHGL 240
<b>PANELS, MISCELLANEOUS PARTS (Neutra Green - Before F4411)</b>				
1a		Floor Pan w/Insulation - Left	AS-90389-02A	AS-90389-02A
1b		Floor Pan w/Insulation - Right	AS-90389-01A	AS-90389-01A
2		Center Post w/Insulation (2)	AS-90389-04A	AS-90389-04A
3		Corner Post w/Insulation (2)	AS-90389-05A	AS-90389-05A
4		Duct Flange Outlet	AE-90196-01	AE-90196-01
5		Drain Pan	See Coil Group	
6		Access Panel w/Insulation (4)	AS-90389-12A	AS-90389-12A
8		Inlet Cap w/Insulation (2)	AS-90389-13A	AS-90389-13A
10		Top Rail - Right	AS-90389-07A	AS-90389-07A
11		Top Rail - Left	AS-90389-08A	AS-90389-08A
12		Top Pan - Front	AS-90389-09A	AS-90389-09A
13		Top Pan - Rear	AS-90389-10A	AS-90389-10A
14		Top Pan - Center	AS-90389-11A	AS-90389-11A
15		Motor Mounting Plate	AE-90199-01	AE-90199-01
16		Motor Plate - Bottom	AS-71955-01	AS-71955-02
17		Motor Plate - Top	AE-90211-01	AE-90211-01
20		Top Filter Channel	AS-90416-01	AS-90416-01
21		Bottom Filter Channel	AE-90206-01	AE-90206-01
22		Center Filter Support (2)	AE-90208-01	AE-90208-01
23		Hitch Pin Clip (2)	63-20878-01	63-20878-01
24		Filter Retainer Plate	AE-90209-01	AE-90209-01
25		Filter Disposable (6)	54-17531-06	54-17531-06

No.	Notes	MODEL NOMINAL CAPACITY DRIVE PACKAGE		RHGL 090 HK	RHGL 090 YK	RHGL 090 YL
<b>BLOWER GROUP</b>						
26	Stk	Blower Assembly (Includes all items listed below except Blower Plate)		AS-90451-01	AS-90444-05	AS-90444-06
27		Blower Housing		AS-77539-02	AS-77539-02	AS-77539-02
28		Blower Plate w/Insulation (Green - Before F4411)		AS-90440-02A	AS-90440-02A	AS-90440-02A
28		Blower Plate w/Insulation (Gray - After F4411)		AS-90440-02H	AS-90440-02H	AS-90440-02H
29	Stk	Bearing w/cushion (2)		70-41911-01	70-41911-01	70-41911-01
	Stk	Blower Wheel		70-41512-01	70-41512-01	70-41512-01
		Cut Off		AE-72264-03	AE-72264-03	AE-72264-03
30	Stk	Shaft-Blower		70-41900-02	70-41900-02	70-41900-02
		Motor Support		AS-70423-05	AS-70423-05	AS-70423-05
31	Stk	Sheave - Fixed		71-41901-30	71-41901-30	71-41901-30
		Key Shaft		94-42551-08	94-42551-08	94-42551-08
32	Stk	Belt		71-17033-49	71-17033-53	71-17033-53
33		Blower Support (2)		AE-90369-01	AE-90369-01	AE-90369-01
36	Stk	Blower Motor		51-40638-01	51-42177-09	51-42177-10
	Stk	Sheave - Variable		71-40427-41	71-40427-25	71-42538-05
		Motor Mounting Bracket		AE-72344-01	AE-72344-01	AE-72344-01
38		Motor Adjustment Piece		AE-70411-01	AE-70411-01	AE-70411-01
39		Bearing Frame Assembly - Tri-Arm (2)		70-41723-02	70-41723-02	70-41723-02

No.	Notes	MODEL NOMINAL CAPACITY DRIVE PACKAGE	RHGL 090 YM	RHGL 090 ZK	RHGL 090 ZL	RHGL 090 ZM
<b>BLOWER GROUP</b>						
26	Stk	Blower Assembly (Includes all items listed below except Blower Plate)	AS-90444-07	AS-90444-02	AS-90444-03	AS-90444-04
27		Blower Housing	AS-77539-02	AS-77539-02	AS-77539-02	AS-77539-02
28		Blower Plate w/Insulation (Green - Before F4411)	AS-90440-02A	AS-90440-02A	AS-90440-02A	AS-90440-02A
28		Blower Plate w/Insulation (Gray - After F4411)	AS-90440-02H	AS-90440-02H	AS-90440-02H	AS-90440-02H
29	Stk	Bearing (2)	70-41911-01	70-41911-01	70-41911-01	70-41911-01
	Stk	Blower Wheel	70-41512-01	70-41512-01	70-41512-01	70-41512-01
		Cut Off	AE-72264-03	AE-72264-03	AE-72264-03	AE-72264-03
30	Stk	Shaft-Blower	70-41900-02	70-41900-02	70-41900-02	70-41900-02
		Motor Support	AS-70423-05	AS-70423-05	AS-70423-05	AS-70423-05
31	Stk	Sheave - Fixed	71-41901-30	71-41901-30	71-41901-30	71-41901-30
		Key Shaft	94-42551-08	94-42551-08	94-42551-08	94-42551-08
32	Stk	Belt	71-17033-55	71-17033-53	71-17033-53	71-17033-55
33		Blower Support (2)	AE-90369-01	AE-90369-01	AE-90369-01	AE-90369-01
36	Stk	Blower Motor	51-42177-10	51-42368-02	51-42369-02	51-42369-02
	Stk	Sheave - Variable	71-40427-54	71-40427-25	71-42538-05	71-40427-54
		Motor Mounting Bracket	AE-72344-01	AE-72344-01	AE-72344-01	AE-72344-01
38		Motor Adjustment Piece	AE-70411-01	AE-70411-01	AE-70411-01	AE-70411-01
39		Bearing Frame Assembly - Tri-Arm (2)	70-41723-02	70-41723-02	70-41723-02	70-41723-02

No.	Notes	MODEL NOMINAL CAPACITY DRIVE PACKAGE		RHGL 120 HK	RHGL 120 YK	RHGL 120 YL
<b>BLOWER GROUP</b>						
26	Stk	Blower Assembly (Includes all items listed below except Blower Plate)		AS-90451-02	AS-90444-12	AS-90444-13
27		Blower Housing		AS-77539-02	AS-77539-02	AS-77539-02
28		Blower Plate w/Insulation (Green - Before F4411)		AS-90440-02A	AS-90440-02A	AS-90440-02A
28		Blower Plate w/Insulation (Gray - After F4411)		AS-90440-02H	AS-90440-02H	AS-90440-02H
29	Stk	Bearing		70-41911-01	70-41911-01	70-41911-01
	Stk	Blower Wheel		70-41512-01	70-41512-01	70-41512-01
		Cut Off		AE-72264-03	AE-72264-03	AE-72264-03
30	Stk	Shaft-Blower		70-41900-02	70-41900-02	70-41900-02
		Motor Support		AS-70423-05	AS-70423-05	AS-70423-05
31	Stk	Sheave - Fixed		71-41901-29	71-41901-30	71-41901-30
		Key Shaft		94-42551-08	94-42551-08	94-42551-08
32	Stk	Belt		71-17033-48	71-17033-54	71-17033-54
33		Blower Support (2)		AE-90369-01	AE-90369-01	AE-90369-01
36	Stk	Blower Motor		51-41949-01	51-42177-10	51-42178-09
	Stk	Sheave - Variable		71-40427-41	71-40427-43	71-40427-19
		Motor Mounting Bracket		AE-72344-01	AE-72344-01	AE-72344-01
38		Motor Adjustment Piece		AE-70411-01	AE-70411-01	AE-70411-01
39		Bearing Frame Assembly - Tri-Arm (2)		70-41723-02	70-41723-02	70-41723-02

No.	Notes	MODEL NOMINAL CAPACITY DRIVE PACKAGE	RHGL 120 YM	RHGL 120 ZK	RHGL 120 ZL	RHGL 120 ZM
<b>BLOWER GROUP</b>						
26	Stk	Blower Assembly (Includes all items listed below except Blower Plate)	AS-90444-14	AS-90444-09	AS-90444-10	AS-90444-11
27		Blower Housing	AS-77539-02	AS-77539-02	AS-77539-02	AS-77539-02
28		Blower Plate w/Insulation (Green - Before F4411)	AS-90440-02A	AS-90440-02A	AS-90440-02A	AS-90440-02A
28		Blower Plate w/Insulation (Gray - After F4411)	AS-90440-02H	AS-90440-02H	AS-90440-02H	AS-90440-02H
29	Stk	Bearing (2)	70-41911-01	70-41911-01	70-41911-01	70-41911-01
	Stk	Blower Wheel	70-41512-01	70-41512-01	70-41512-01	70-41512-01
		Cut Off	AE-72264-03	AE-72264-03	AE-72264-03	AE-72264-03
30	Stk	Shaft-Blower	70-41900-02	70-41900-02	70-41900-02	70-41900-02
		Motor Support	AS-70423-05	AS-70423-05	AS-70423-05	AS-70423-05
31	Stk	Sheave - Fixed	71-41901-30	71-41901-30	71-41901-30	71-41901-30
		Key Shaft	94-42551-08	94-42551-08	94-42551-08	94-42551-08
32	Stk	Belt	71-17033-55	71-17033-54	71-17033-54	71-17033-55
33		Blower Support (2)	AE-90369-01	AE-90369-01	AE-90369-01	AE-90369-01
36	Stk	Blower Motor	51-42177-08	51-42369-02	51-42370-02	51-42371-01
	Stk	Sheave - Variable	71-40427-23	71-40427-43	71-40427-19	71-40427-23
		Motor Mounting Bracket	AE-72344-01	AE-72344-01	AE-72344-01	AE-72344-01
38		Motor Adjustment Piece	AE-70411-01	AE-70411-01	AE-70411-01	AE-70411-01
39		Bearing Frame Assembly - Tri-Arm (2)	70-41723-02	70-41723-02	70-41723-02	70-41723-02

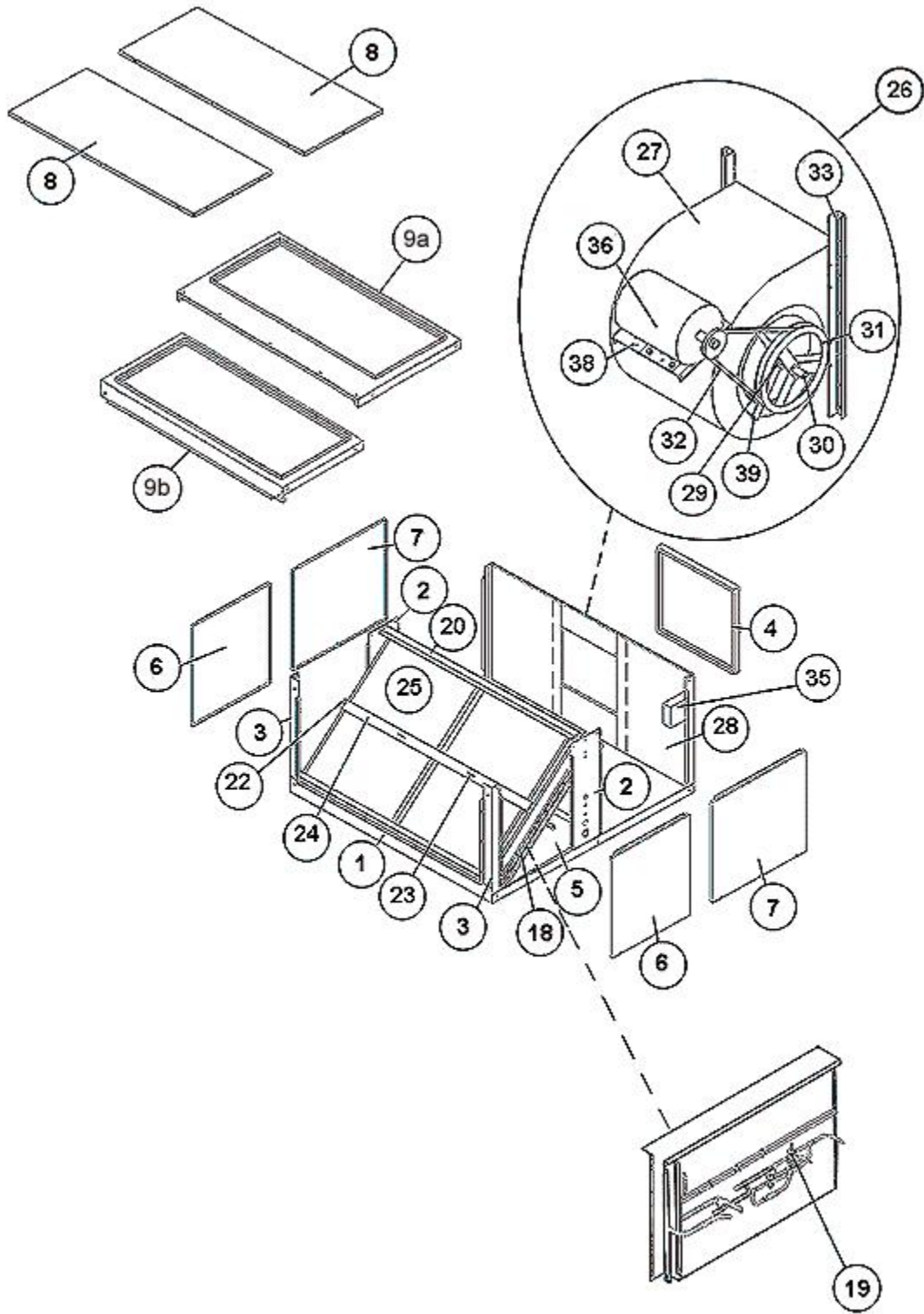
No.	Notes	MODEL NOMINAL CAPACITY DRIVE PACKAGE	RHGL 180 YK	RHGL 180 YL	RHGL 180 ZK	RHGL 180 ZL	RHGL 180 ZM
<b>BLOWER GROUP</b>							
26	Stk	Blower Assembly (Does not include Blower Plate, Belt, Junction Box, Motor and Variable Sheave)	AS-90973-01	AS-90973-01	AS-90973-01	AS-90973-01	AS-90973-02
27		Blower Housing	AS-90971-01	AS-90971-01	AS-90971-01	AS-90971-01	AS-90971-01
28		Blower Plate	AE-90857-01	AE-90857-01	AE-90857-01	AE-90857-01	AE-90857-01
29	Stk	Bearing (2)	70-41854-02	70-41854-02	70-41854-02	70-41854-02	70-41854-02
		Bearing Bracket (2)	70-42284-04	70-42284-04	70-42284-04	70-42284-04	70-42284-04
	Stk	Blower Wheel	70-42682-02	70-42682-02	70-42682-02	70-42682-02	70-42682-02
30		Shaft - Blower	70-41900-06	70-41900-06	70-41900-06	70-41900-06	70-41900-06
31	Stk	Sheave - Fixed	71-41901-11	71-41901-11	71-41901-11	71-41901-11	71-41901-13
		Key - Shaft (2)	AE-72654-01	AE-72654-01	AE-72654-01	AE-72654-01	AE-72654-01
32	Stk	Belt	71-40438-24	71-40438-24	71-40438-24	71-40438-24	71-40438-17
33		Blower Support (2)	AE-90858-01	AE-90858-01	AE-90858-01	AE-90858-01	AE-90858-01
35		Junction Box Assembly	AS-90472-01	AS-90472-01	AS-90472-01	AS-90472-01	AS-90472-01
36	Stk	Blower Motor	51-42178-09	51-42177-08	51-42370-02	51-42371-02	51-42177-13
37	Stk	Sheave - Variable	71-42538-02	71-40427-17	71-42538-02	71-40427-17	71-42538-03

No.	Notes	MODEL NOMINAL CAPACITY DRIVE PACKAGE	RHGL 240 YK	RHGL 240 YL	RHGL 240 ZK	RHGL 240 ZL	RHGL 240 ZM
<b>BLOWER GROUP</b>							
26	Stk	Blower Assembly (Does not include Blower Plate, Belt, Junction Box, Motor and Variable Sheave)	AS-90974-01	AS-90974-02	AS-90974-01	AS-90974-02	AS-90974-03
27		Blower Housing	AS-90972-01	AS-90972-01	AS-90972-01	AS-90972-01	AS-90972-01
28		Blower Plate	AE-90857-01	AE-90857-01	AE-90857-01	AE-90857-01	AE-90857-01
29	Stk	Bearing (2)	70-41854-02	70-41854-02	70-41854-02	70-41854-02	70-41854-02
		Bearing Bracket (2)	70-42284-04	70-42284-04	70-42284-04	70-42284-04	70-42284-04
	Stk	Blower Wheel	70-42682-01	70-42682-01	70-42682-01	70-42682-01	70-42682-01
30	Stk	Shaft - Blower	70-41900-05	70-41900-05	70-41900-05	70-41900-05	70-41900-05
31	Stk	Sheave - Fixed	71-41901-11	71-41901-22	71-41901-11	71-41901-22	71-41901-19
		Key - Shaft (2)	AE-72654-01	AE-72654-01	AE-72654-01	AE-72654-01	AE-72654-01
32	Stk	Belt	71-40438-22	71-41764-05	71-40438-22	71-41764-05	71-41764-06
33		Blower Support (2)	AE-90858-01	AE-90858-01	AE-90858-01	AE-90858-01	AE-90858-01
35		Junction Box Assembly	AS-90472-01	AS-90472-01	AS-90472-01	AS-90472-01	AS-90472-01
36	Stk	Blower Motor	51-42574-01	51-42178-12	51-42177-13	51-42177-06	51-42177-06
37	Stk	Sheave - Variable	71-40427-06	71-40428-34	71-40427-06	71-40428-34	71-40428-34

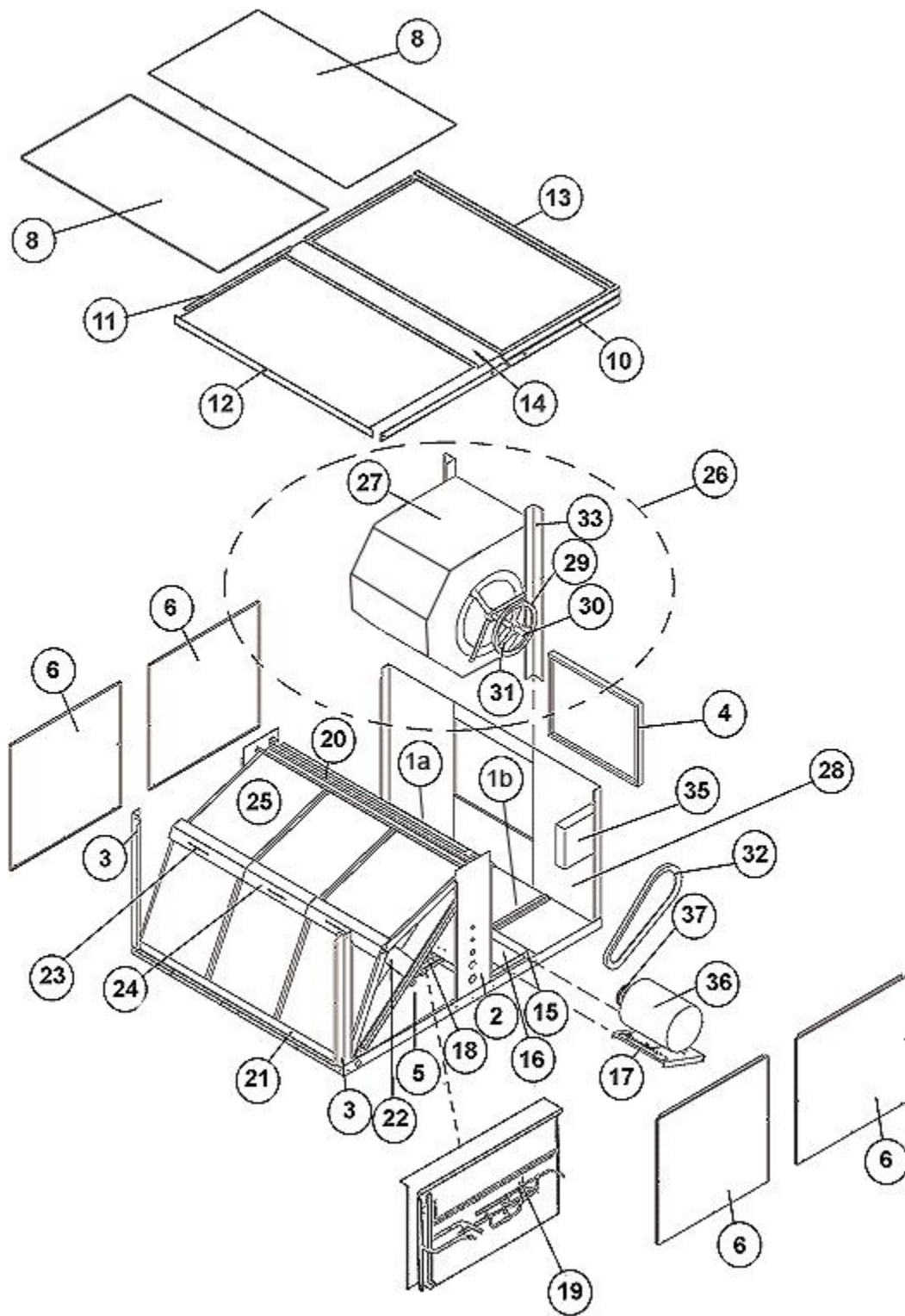


No.	Notes	MODEL NOMINAL CAPACITY	RHGL 090	RHGL 120
<b>COIL GROUP</b>				
5	Stk	Drain Pan (Green - Before F4411)	AS-90442-01A	AS-90442-01A
5	Stk	Drain Pan (Gray - After F4411)	AS-90442-01H	AS-90442-01H
18	Stk	Evaporator Coil w/TXV	AS-90902-05	AS-90902-06
19	Stk	TXV w/Distributor (2)	61-42662-07	61-42662-08
		Drip Rail	AE-90471-01	AE-90471-01

No.	Notes	MODEL NOMINAL CAPACITY	RHGL 180	RHGL 240
<b>COIL GROUP</b>				
5	Stk	Drain Pan (Green - Before F4411)	AS-90402-01A	AS-90402-01A
5	Stk	Drain Pan (Gray - After F4411)	AS-90402-01H	AS-90402-01H
18	Stk	Evaporator Coil w/TXV	AS-90902-07	AS-90902-08
19	Stk	TXV w/Distributor (2)	61-42662-09	61-42662-10



Exploded View 090-120



Exploded View 180-240

# NOTES

Stk It is recommended that stock be maintained for this part.  
N/A Not Applicable

**DISCLAIMER:** This document is intended to provide general replacement parts information to aid qualified service personnel in the repair of these models. The complete Model and Serial Number of the unit under repair should be specified when selecting and ordering replacement parts. Specifications and illustrations are subject to change without notice. Document 92-42800-RHGL supersedes all previous parts lists for these models. See <http://www.rheempartslists.net/92-42800-RHGL> for the latest revision of this document. The manufacturer assumes no obligation for errors or omissions. Service personnel must verify the proper and safe operation of equipment after the replacement of any original components.