

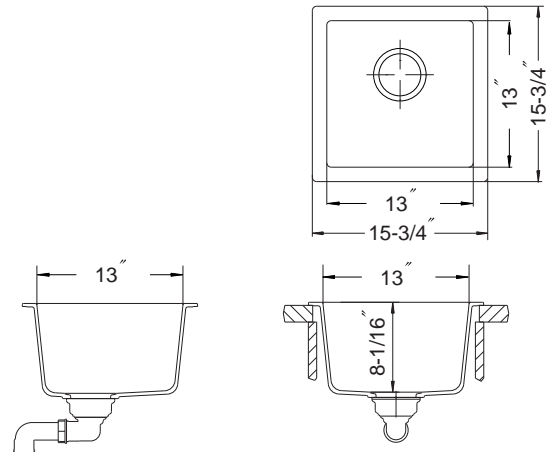
Quartztone® Square Bar/Prep Sinks Model E-100



E-100

FEATURES

- 80% quartz
- 8-1/16" depth • Dual mount (Topmount or Undermount)
- Intrinsically hygienic Non-porous surface
- Natural, antibacterial hygiene protection system
- Silky to the touch, 3 times harder than natural granite
- Food-safe, UV-stable-will not fade
- Heat resistance to +500°F
- Highest resistance to thermal shock, scratches and chips
- Color-fast throughout
- Fits 24" sink base • cUPC listed
- Supplied with cutout template, fasteners and instructions
- 1 year Limited Warranty



OPTIONAL COLORS



Midnite
Metallic

Mocha
Solid

Earth
Structured

Sand
Solid

Cloud
Solid

OVERALL DIMENSIONS	EACH BOWL	CUTOUT SIZE	PACKAGING*	WEIGHT*
15-3/4" x 15-3/4"	13" x 13"	See Template	1/20 pcs.	20/440lbs.

*Standard packaging: Single boxed /Pallet of single boxed.
All dimensions are in inches. Specifications subject to change without notice.

OPTIONAL ACCESSORIES

Bottom Grid: 629717

Strainer Options: Stainless steel strainers,
Color strainers, Color Disposal flanges

Project/Job name _____

Architect/Engineer _____

Contractor _____

Model _____ Q'ty _____

Notes _____