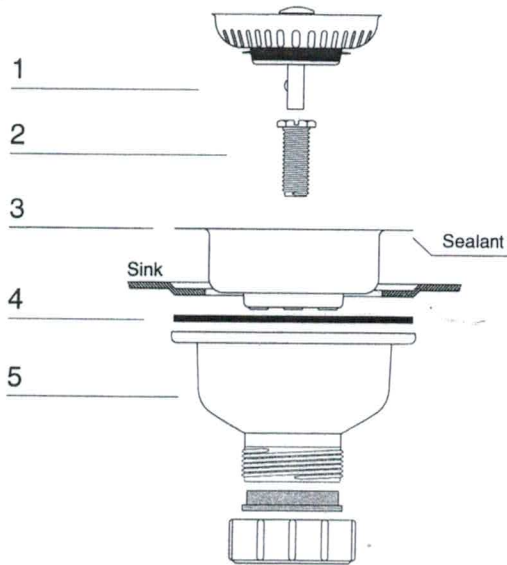


BASKET STRAINER WASTE



Fixing Instructions

- A. Apply suitable sealant to underside of strainer body (3). Place strainer body (3) in sink opening, and press down to squeeze sealant between underside of strainer body and sink.
- B. Position large rubber seal (4) on plastic underbody (5) and secure to strainer body (3) by hand tightening the stainless steel screw(2). Do NOT overtighten-hand tight plus one half turn,