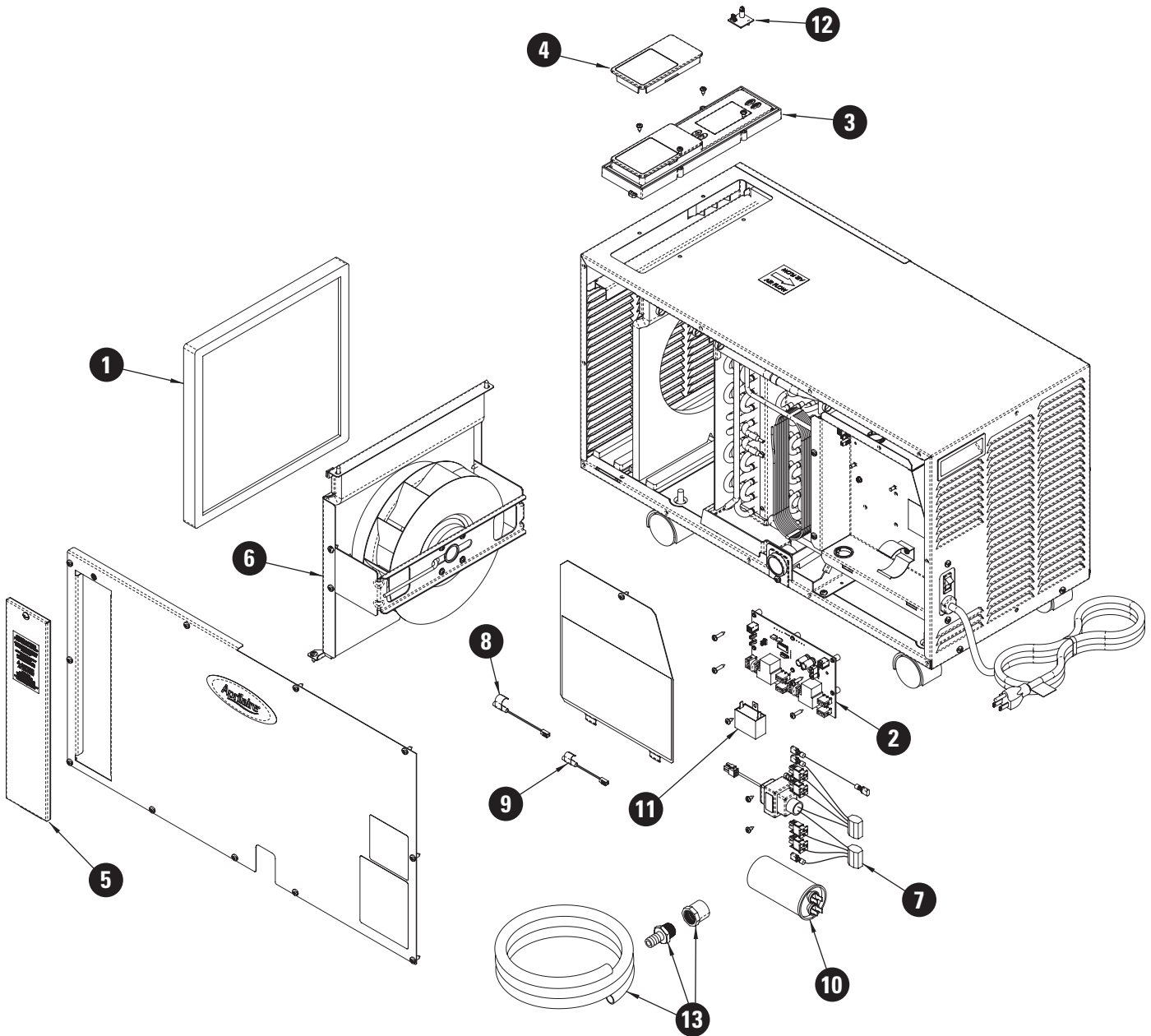


APRILAIRE 1850F DEHUMIDIFIER PARTS LIST



No.	Part Description	Part No.
1	Filter, 12" x 12" x 1" EZK	5499
2	Internal Control Board, Deh	5444
3	User Interface Assembly, Deh	5445
4	Wiring Access Door, AA Deh	5446
5	Door, Filter Access, AA Deh	5506
6	Fan, 95pt Deh	5467
7	Wire Harness, Power, Deh	5454

No.	Part Description	Part No.
8	Sensor, Low Temperature, Deh	5455
9	Sensor, High Temperature, Deh	5456
10	Capacitor, 45MFD, 370VAC, 70pt/95pt Deh, (compressor)	5458
11	Capacitor, 12MFD, 450VAC, 95pt Deh, (fan)	5468
12	RH Sensor, Deh	5460
13	Drain Tube + Fittings	5461