



Wall Mounted Slide/Grab Bar & ADA Hand Shower with non-positive shut-off T724, T736, T748 Series Installation Guide



Model Numbers

T724

24 inch slide/grab bar with polished chrome or satin nickel ADA hand shower

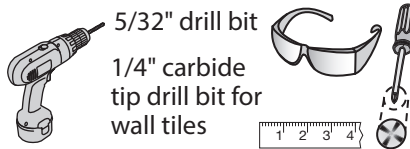
T736

36 inch slide/grab bar with polished chrome or satin nickel ADA hand shower

T748

48 inch slide/grab bar with polished chrome or satin nickel ADA hand shower

Tools and Materials



Compliance

-ASME A112.18.1/CSA B125.1

-WaterSense 1.5 gpm and 2.0 gpm



Need Help?

Symmons customer service:

Phone: (800) 796-6667

gethelp@symmons.com

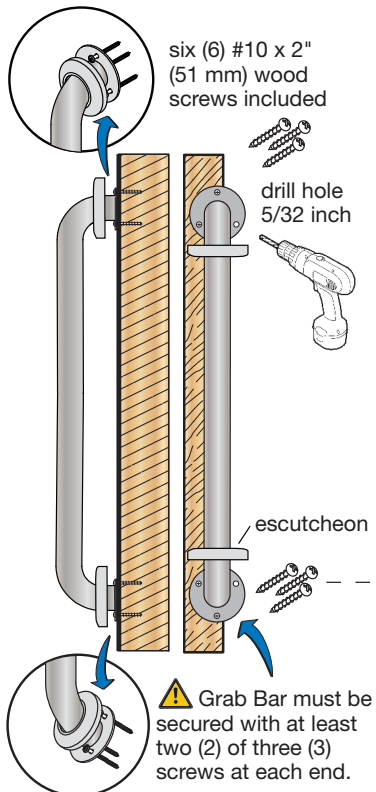
Mon - Fri 7:30 am - 7:00 pm EST

www.symmons.com/service

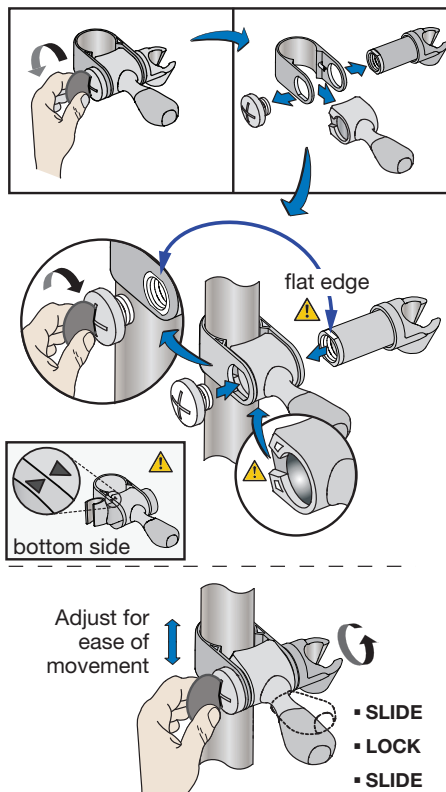
- Technical help
- Product information
- Warranty policy

Visual Guide Wall Mounted Slide/Grab Bar & Hand Shower

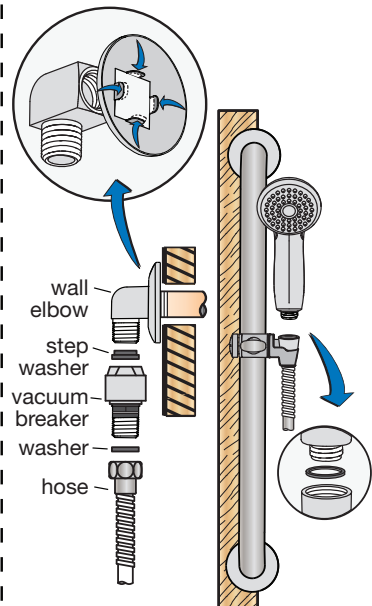
Step 1 Mount grab bar



Step 2 Attach slider assembly



Step 3 Install hand shower



For California Residents

WARNING: This product contains chemicals known to the State of California to cause cancer, birth defects, or other reproductive harm.

Installation Notes

Grab Bar Location

For proper mounting heights and location consult with your state and local code official having jurisdiction over the installation.

Solid Support

- Grab Bar must be mounted with both ends positioned over a wall stud. A stud finder can be used to locate wall studs.
- Secure through wall board or tile to the wall stud so as to hold a minimum of 250 pounds of force.

- At least two (2) of the three (3) screws provided must be used on each end of the Grab Bar to properly secure.

Note: Standard size wall stud limits using more than two (2) screws.

Mounting Grab Bar

- Drill all holes through wall board into wood wall studs using a power drill and a 5/32 inch drill bit.
- Ceramic tiles - If installing Grab Bar

over ceramic tiles, first drill a pilot hole through the tile using a 1/4 inch carbide tip drill bit to prevent damage to the tiles.

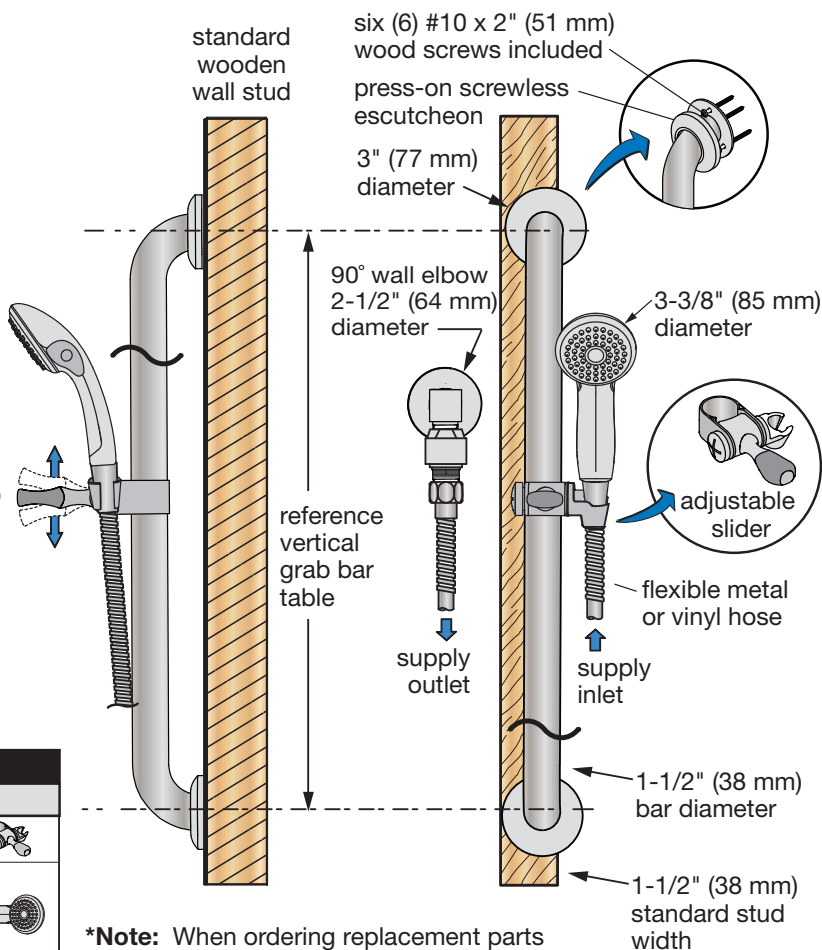
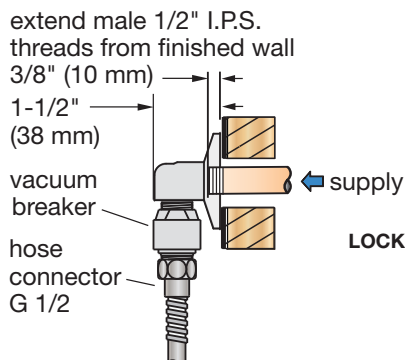
Next, drill a pilot hole into the wood wall stud using the 5/32 inch drill bit.


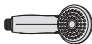


Care and Cleaning

Mild soap and water or a non-abrasive cleaner is recommended for cleaning.

Dimensions Wall Mounted Slide/Grab Bar & ADA Hand Shower

Vertical Grab Bar	
Model	Length
T724	24" (610 mm)
T736	36" (914 mm)
T748	48" (1219 mm)



Replacement Parts	
Part Number	Item
FP-SM6*	slider assembly 
ADACHS*	wand 
FP-40*	wall elbow & flange 
INLINE-VB*	vacuum breaker 
SP-4*	Hand Shower Hose
SP-4-6*	flexible metal (5')
ST-12RV	flexible metal (6')
ST-12RV6	vinyl (5')
	vinyl (6')

***Note:** When ordering replacement parts for product with an optional decorative finish, append appropriate three letter finish suffix code to part numbers marked with an asterisk (*).

Ordering replacement parts:

Call Symmons customer service at (800) 796-6667, (781) 848-2250 M-F 7:30 am - 7:00 pm EST or check our website at symmons.com for a list of Symmons distributors.

Note: Dimensions subject to change without notice