

PFSH300GCP SHOWER HEAD

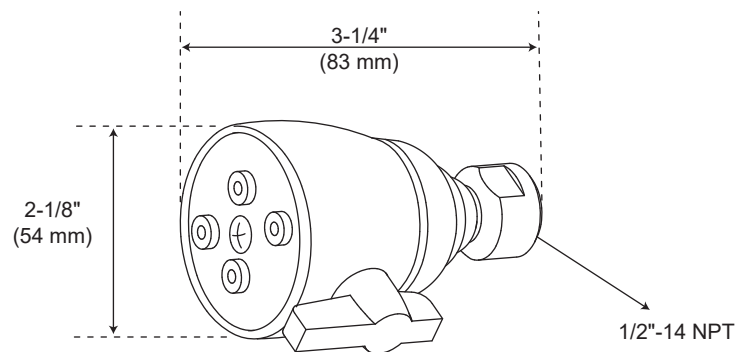


Product Features

- Adjustable spray pattern
- Zinc ball joint and threaded connection
- Max. flow rate: 1.75 gpm (6.6 L/min) at 80 psi



PFSH300GCP



For detailed warranty information, visit [ferguson.com/proflo-faucet-warranty](https://www.ferguson.com/proflo-faucet-warranty).